



US00D658708S

(12) **United States Design Patent**
Sheldon

(10) **Patent No.:** **US D658,708 S**

(45) **Date of Patent:** **** May 1, 2012**

(54) **TEMPLE OF GLASSES**

(76) Inventor: **Brent Sheldon**, Montreal (CA)

(**) Term: **14 Years**

(21) Appl. No.: **29/406,863**

(22) Filed: **Nov. 20, 2011**

(51) **LOC (9) Cl.** **16-06**

(52) **U.S. Cl.** **D16/335**

(58) **Field of Classification Search** D16/101,
D16/300-342, 900; D29/109-110; D24/110.2;
351/41, 44, 51-52, 62, 158, 92, 103-123,
351/140, 153, 45-46; 2/426-432, 447-449,
2/441, 434-437, 13, 15; D21/483, 659-661;
D14/372

See application file for complete search history.

(56) **References Cited**

U.S. PATENT DOCUMENTS

D394,871 S *	6/1998	Simioni	D16/321
D422,619 S *	4/2000	Hsu	D16/326
D423,551 S *	4/2000	Lamy	D16/326
D524,354 S *	7/2006	Yang	D16/326
D543,573 S *	5/2007	Chuang	D16/323

D556,816 S *	12/2007	Fuchs	D16/326
D570,897 S *	6/2008	Fuchs	D16/321
D595,759 S *	7/2009	Gonzalez	D16/335
D621,437 S *	8/2010	Sheldon	D16/315
D629,445 S *	12/2010	Agnoli	D16/335
D647,126 S *	10/2011	Chou	D16/315

* cited by examiner

Primary Examiner — Raphael Barkai

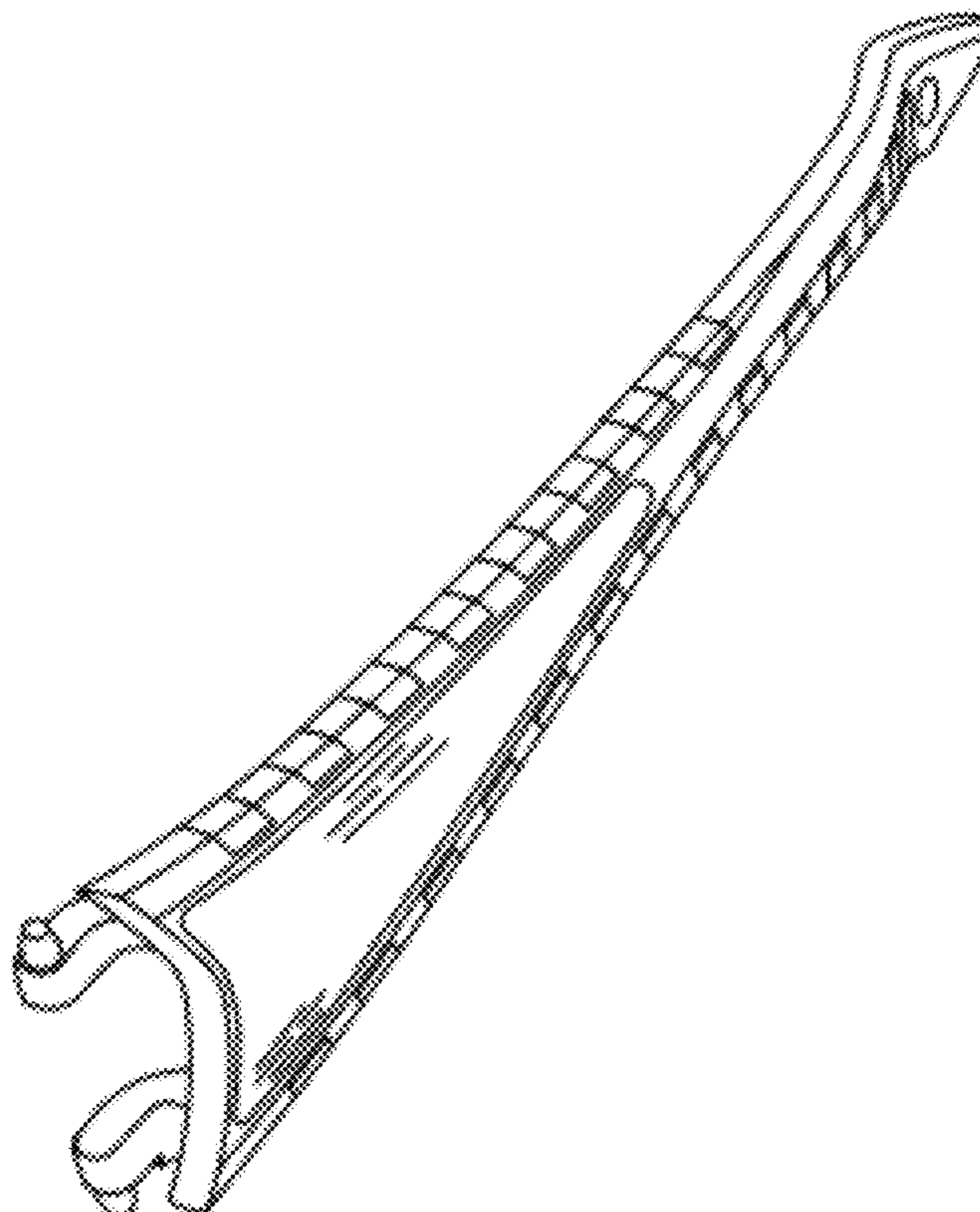
(57) **CLAIM**

The ornamental design for the temple of glasses, as shown and described.

DESCRIPTION

FIG. 1 is a perspective view of the temple of glasses showing my new design;
FIG. 2 is a front elevation view thereof;
FIG. 3 is a rear elevation view thereof;
FIG. 4 is a left side elevation view thereof;
FIG. 5 is a right side elevation view thereof;
FIG. 6 is a top plan view thereof; and,
FIG. 7 is a bottom plan view thereof.

1 Claim, 5 Drawing Sheets



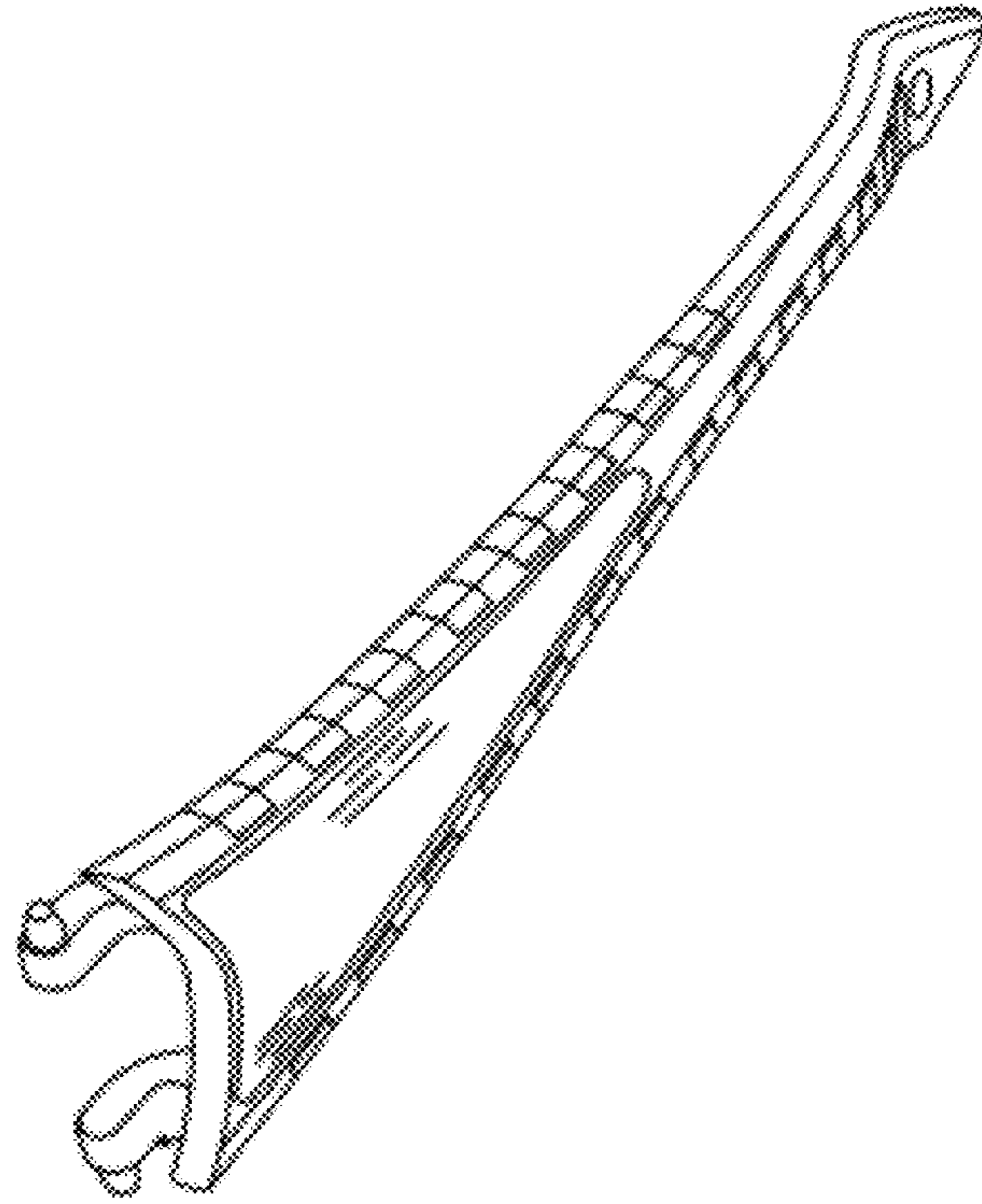
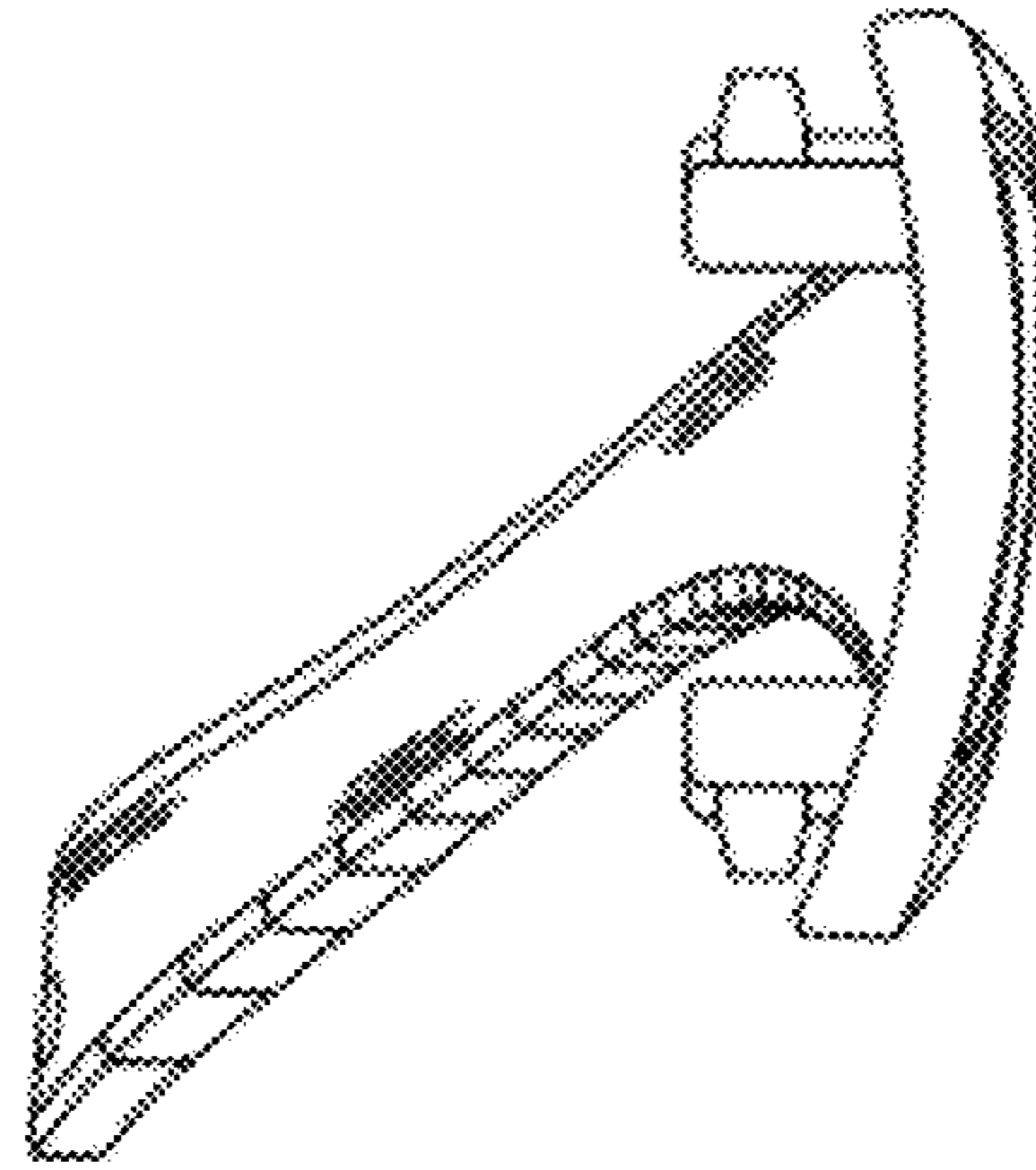
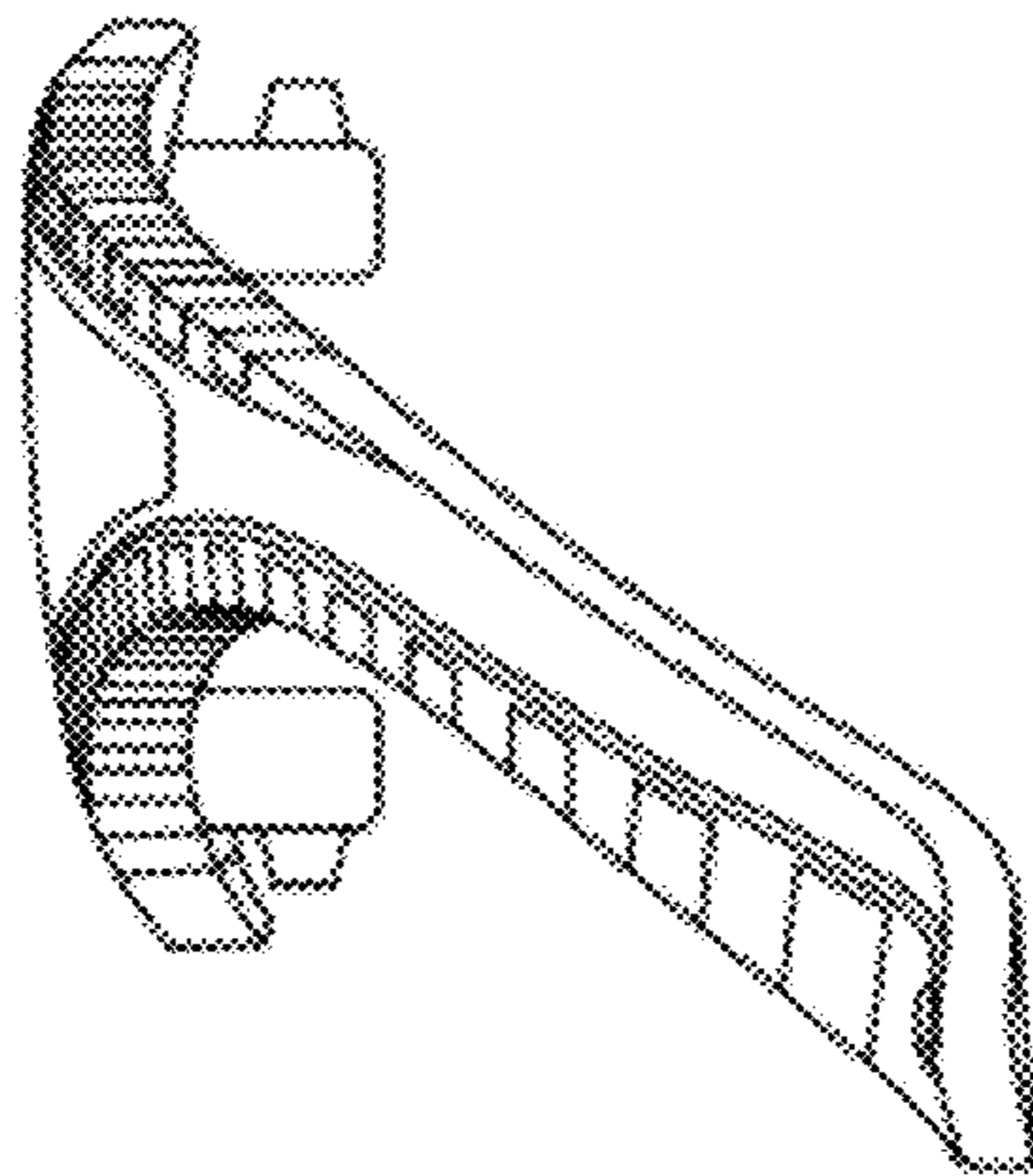


FIG. 1



F I G . 2



F I G . 3



FIG. 4

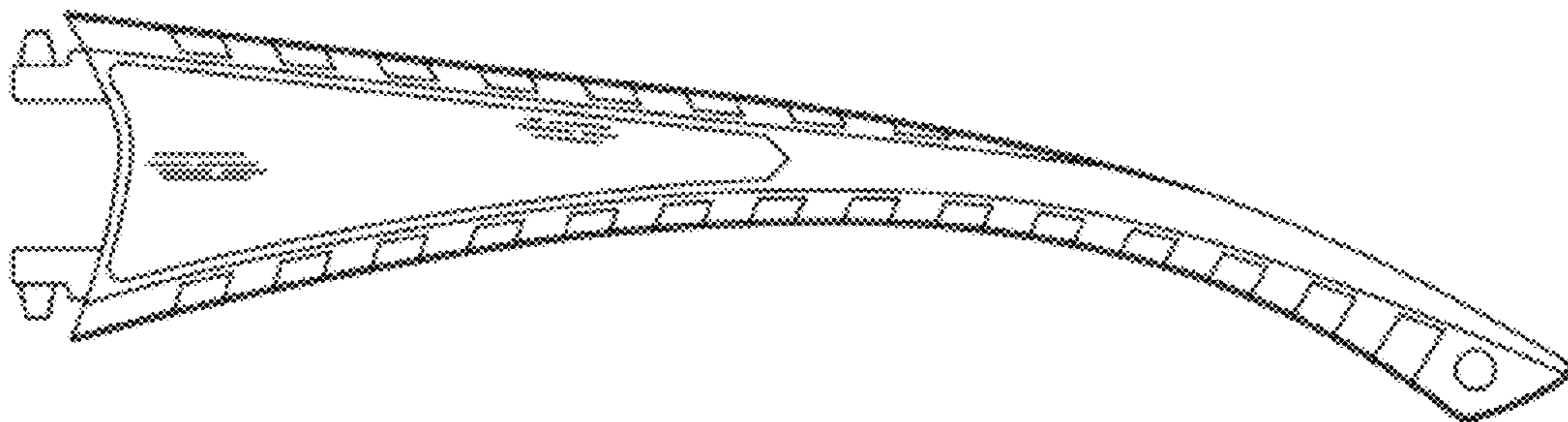


FIG. 5

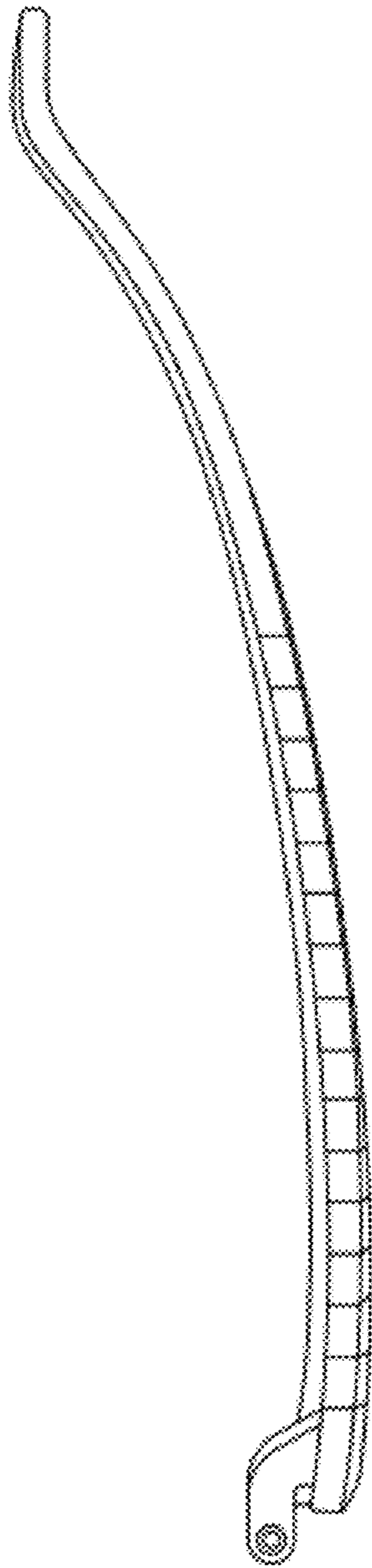


FIG. 6

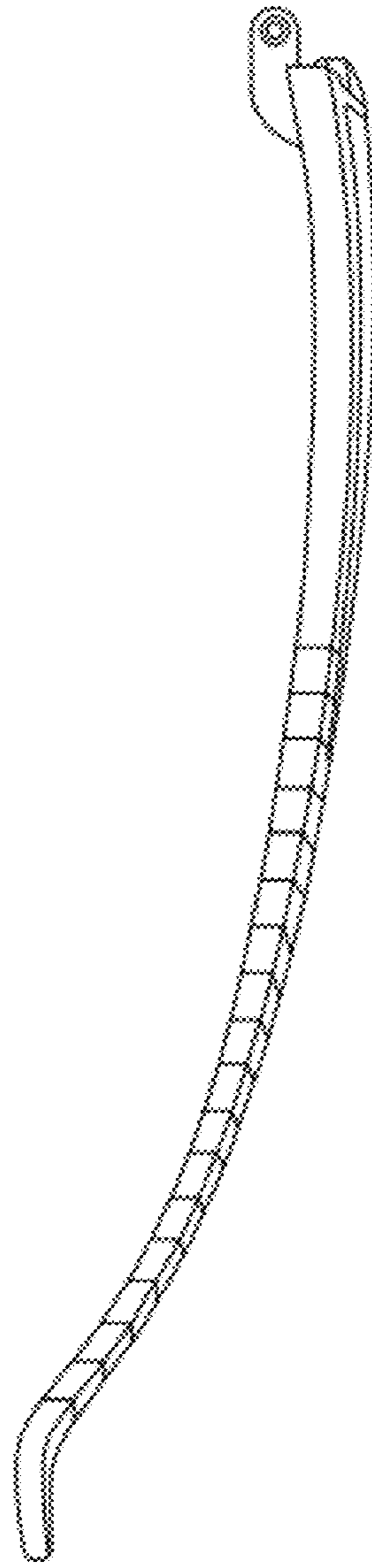


FIG. 7