



US00D658707S

(12) **United States Design Patent**  
**Anderl**

(10) **Patent No.:** **US D658,707 S**  
(45) **Date of Patent:** **\*\* May 1, 2012**

(54) **SPECTACLES TEMPLE**

(75) Inventor: **Ralph Anderl**, Berlin (DE)

(73) Assignee: **IC! Berlin Brillen GmbH** (DE)

(\*\*) Term: **14 Years**

(21) Appl. No.: **29/387,999**

(22) Filed: **Mar. 22, 2011**

(30) **Foreign Application Priority Data**

Sep. 22, 2010 (DE) ..... 40 2010 005 323

(51) **LOC (9) Cl.** ..... **16-06**

(52) **U.S. Cl.** ..... **D16/335**

(58) **Field of Classification Search** ..... D16/101,  
D16/300-342, 900; D29/109-110; D24/110.2;  
351/41, 44, 51-52, 62, 158, 92, 103-123,  
351/140, 153, 45-46; 2/426-432, 447-449,  
2/441, 434-437, 13, 15; D21/483, 659-661  
See application file for complete search history.

(56) **References Cited**

U.S. PATENT DOCUMENTS

D568,368 S \* 5/2008 Hofmann ..... D16/326  
(Continued)

*Primary Examiner* — Raphael Barkai

(74) *Attorney, Agent, or Firm* — Grossman, Tucker,  
Perreault & Pflieger, PLLC

(57) **CLAIM**

The ornamental design for the spectacles temple, as shown  
and described.

**DESCRIPTION**

FIG. 1 is a perspective view of the spectacles temple of the  
present invention;

FIG. 2 is a front perspective view of the spectacles temple of  
FIG. 1;

FIG. 3 is a rear perspective view of the spectacles temple of  
FIG. 1;

FIG. 4 is a left side perspective view of the spectacles temple  
of FIG. 1;

FIG. 5 is a right perspective side view of the spectacles temple  
of FIG. 1;

FIG. 6 is a top perspective view of the spectacles temple of  
FIG. 1;

FIG. 7 is a bottom perspective view of the spectacles temple  
of FIG. 1;

FIG. 8 is a perspective view of a portion of the spectacles  
temple of FIG. 1;

FIG. 9 is a front perspective view of the portion of the spec-  
tacles temple of FIG. 8;

FIG. 10 is a rear perspective view of the portion of the spec-  
tacles temple of FIG. 8;

FIG. 11 is a left side perspective view of the portion of the  
spectacles temple of FIG. 8;

FIG. 12 is a right side perspective view of the portion of the  
spectacles temple of FIG. 8;

FIG. 13 is a top view of the portion of the spectacles temple of  
FIG. 8;

FIG. 14 is a bottom view of the portion of the spectacles  
temple of FIG. 8;

FIG. 15 is a perspective view of another portion of the spec-  
tacles temple of FIG. 1;

FIG. 16 is a front perspective view of another portion of the  
spectacles temple of FIG. 15;

FIG. 17 is a rear perspective view of another portion of the  
spectacles temple of FIG. 15;

FIG. 18 is a left side view of another portion of the spec-  
tacles temple of FIG. 15;

FIG. 19 is a right side view of another portion of the spec-  
tacles temple of FIG. 15;

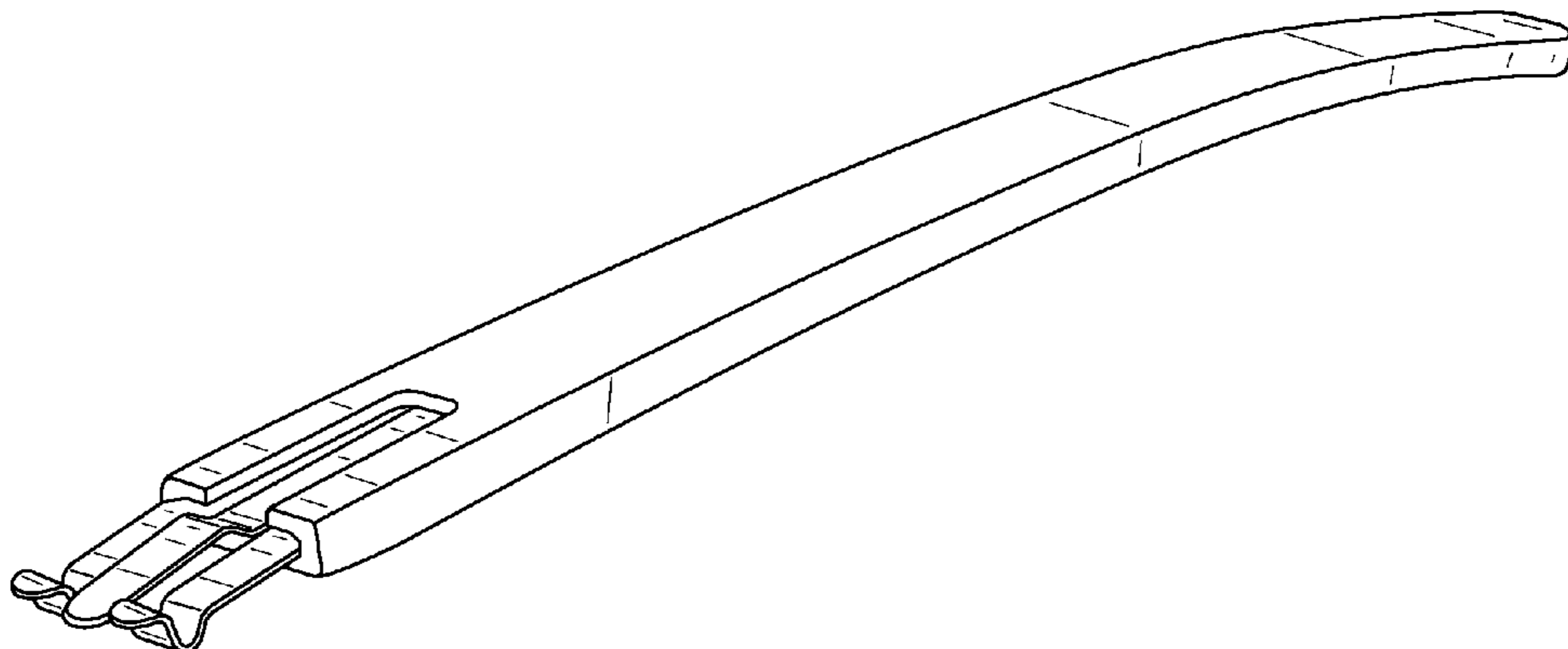
FIG. 20 is a top view of another portion of the spectacles  
temple of FIG. 15; and,

FIG. 21 is a bottom view of another portion of the spectacles  
temple of FIG. 15.

Any color shown in the drawings throughout the views forms  
no part of the claimed design.

The elements shown in FIGS. 8-21 are shown separately for  
ease of illustration.

**1 Claim, 12 Drawing Sheets**



# US D658,707 S

Page 2

---

## U.S. PATENT DOCUMENTS

D568,919 S *	5/2008	Corcagnani .....	D16/326	D598,041 S *	8/2009	Corcagnani .....	D16/335
D568,920 S *	5/2008	Anderl .....	D16/326	D602,976 S *	10/2009	Corcagnani .....	D16/315
D568,921 S *	5/2008	Anderl .....	D16/326	D617,368 S *	6/2010	Corcagnani .....	D16/335
D568,922 S *	5/2008	Anderl .....	D16/326				

\* cited by examiner

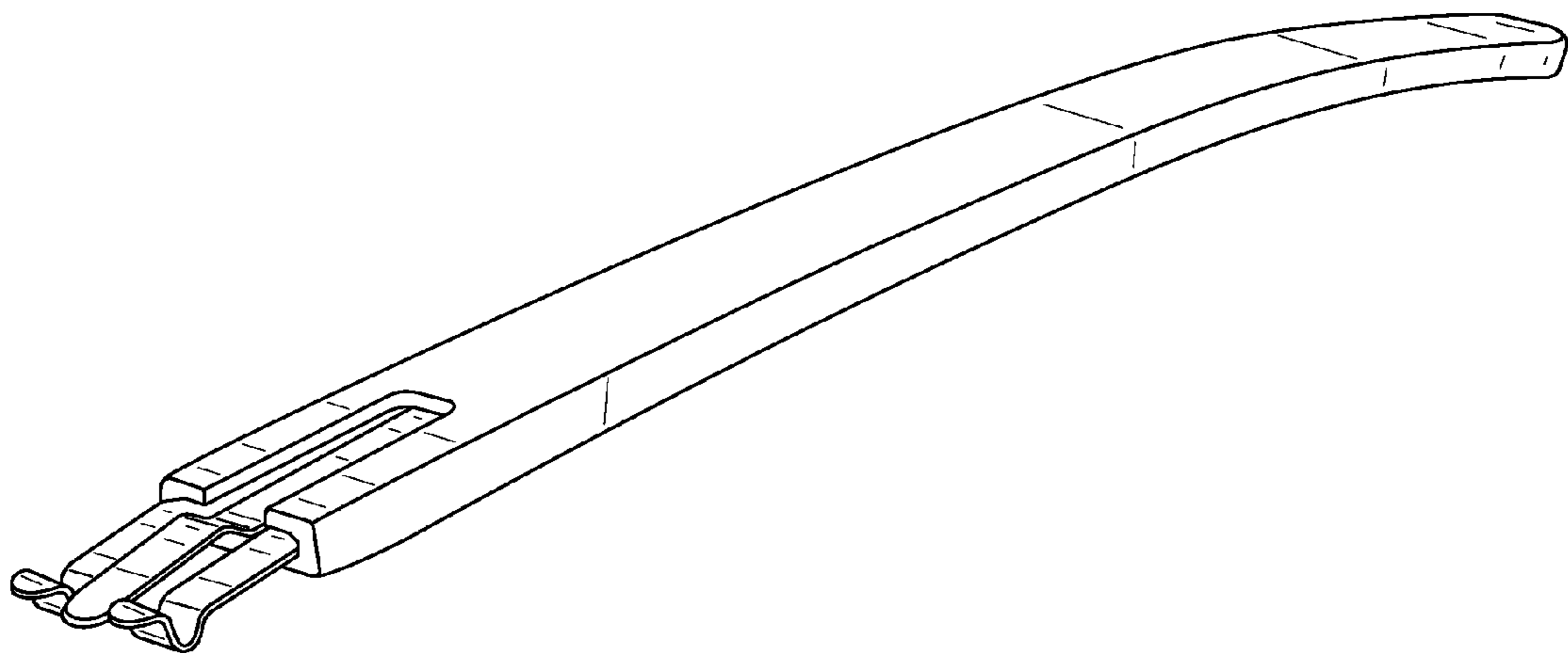


FIG. 1

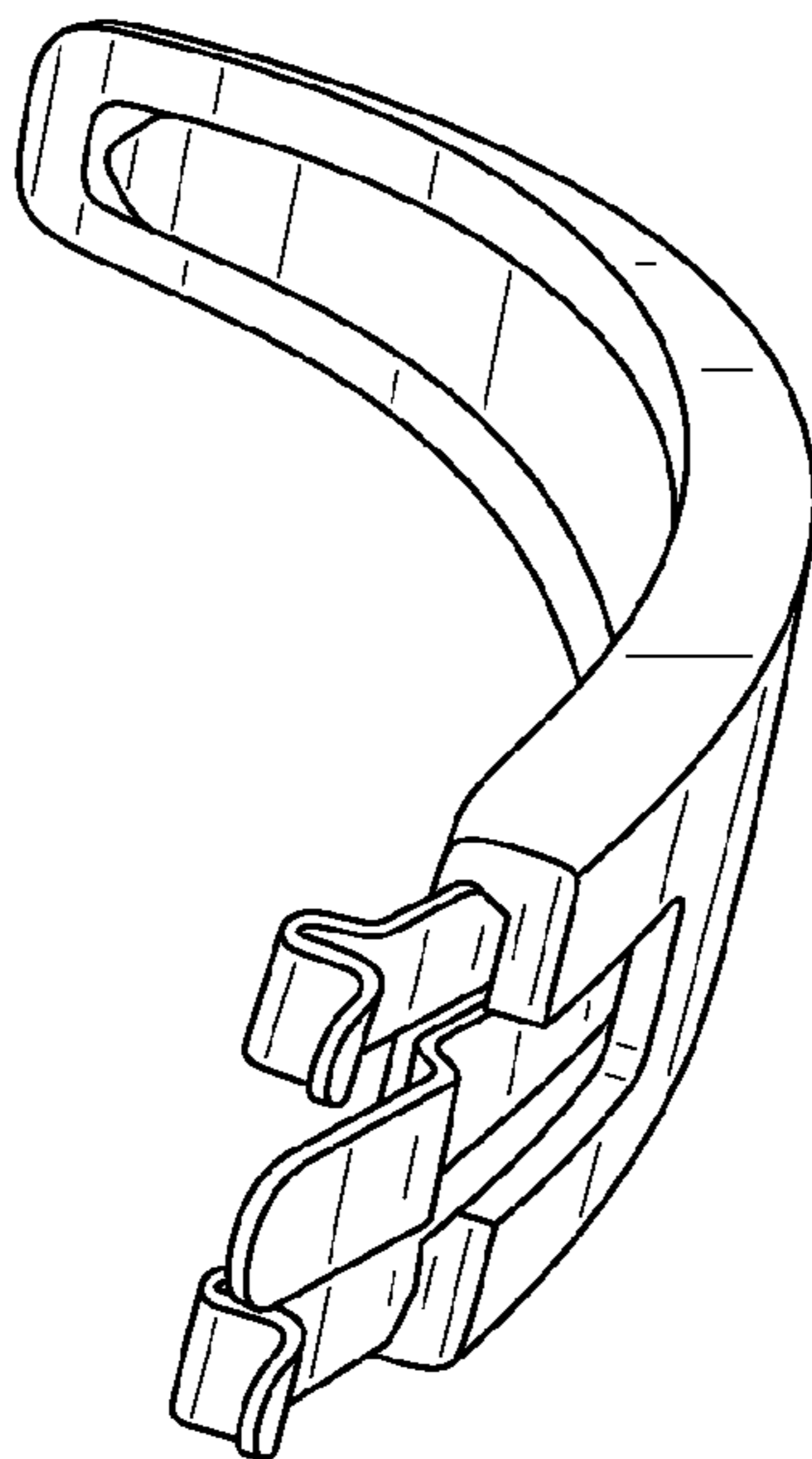


FIG. 2

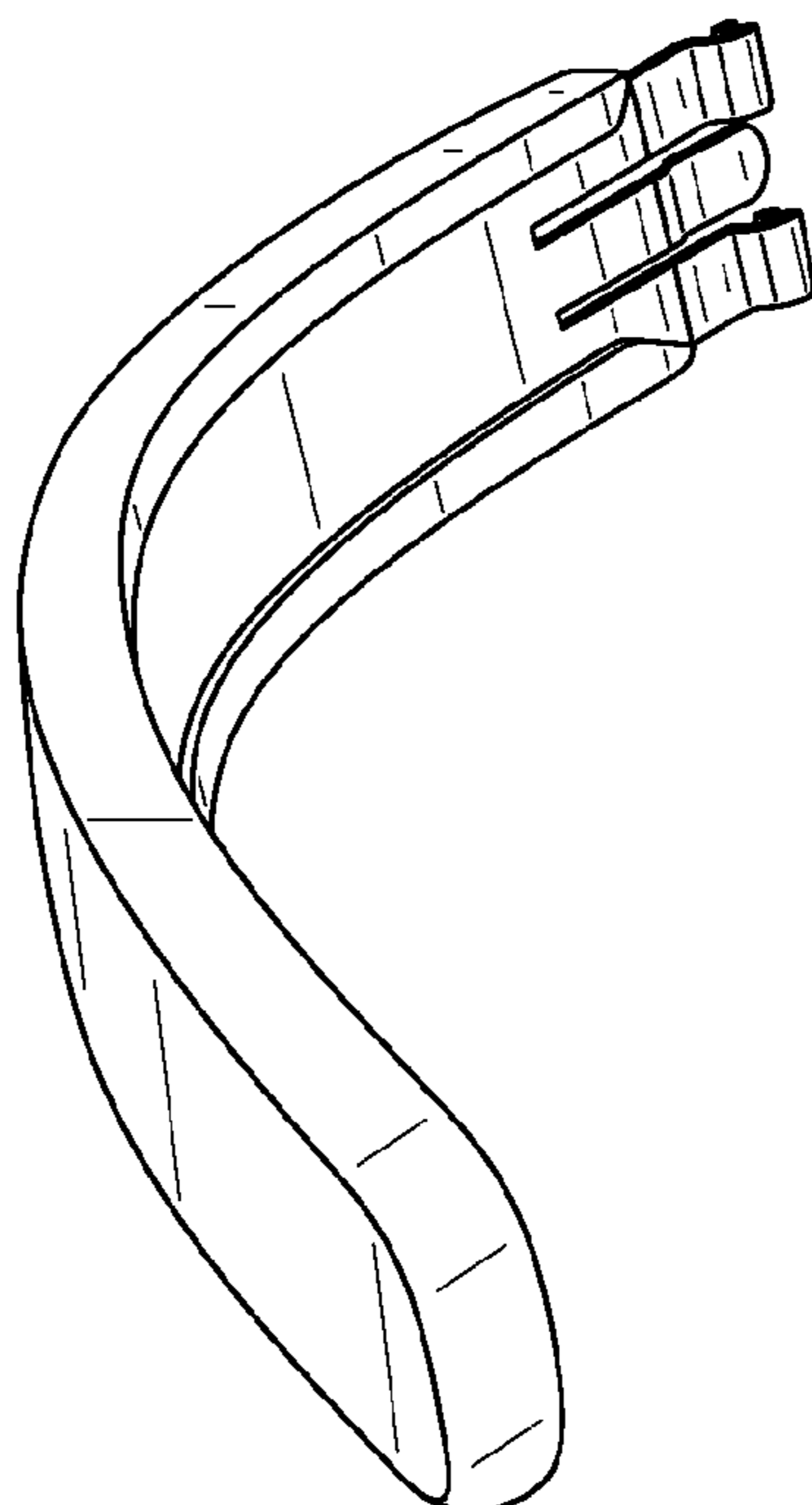


FIG. 3

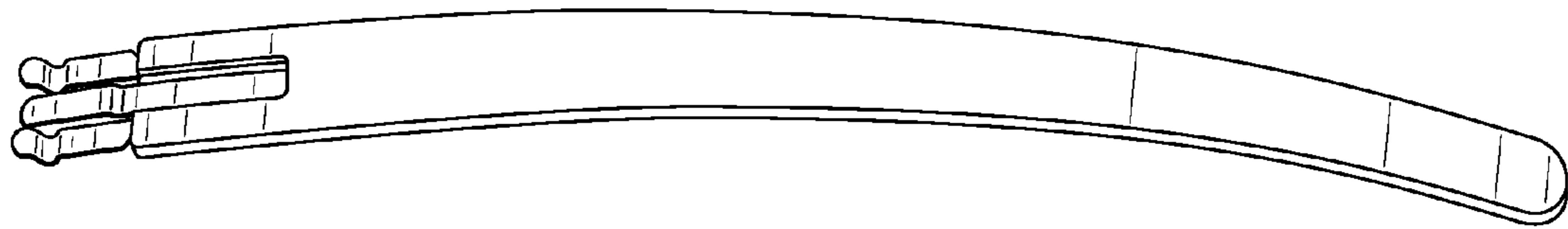


FIG. 4

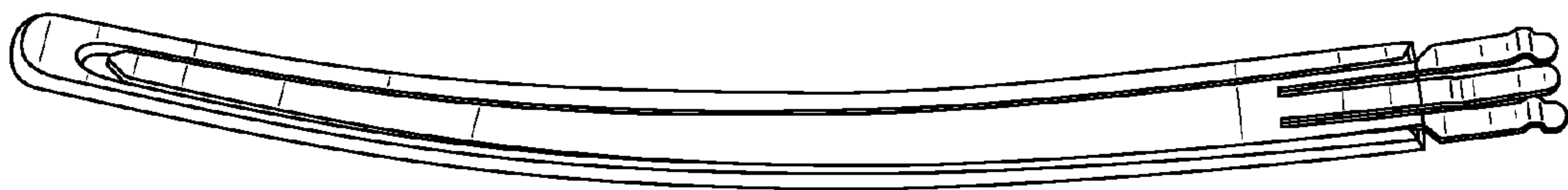


FIG. 5

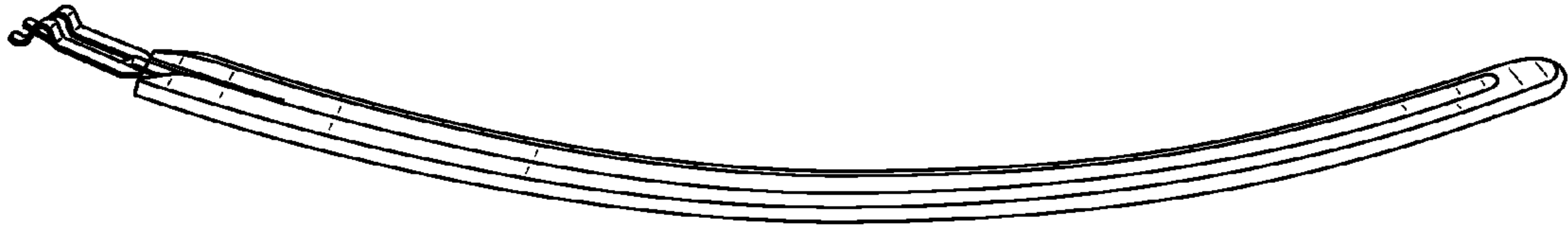


FIG. 6

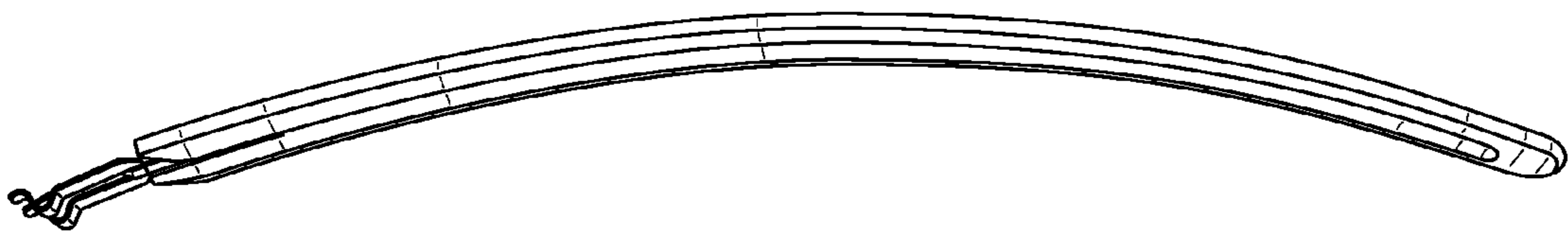


FIG. 7

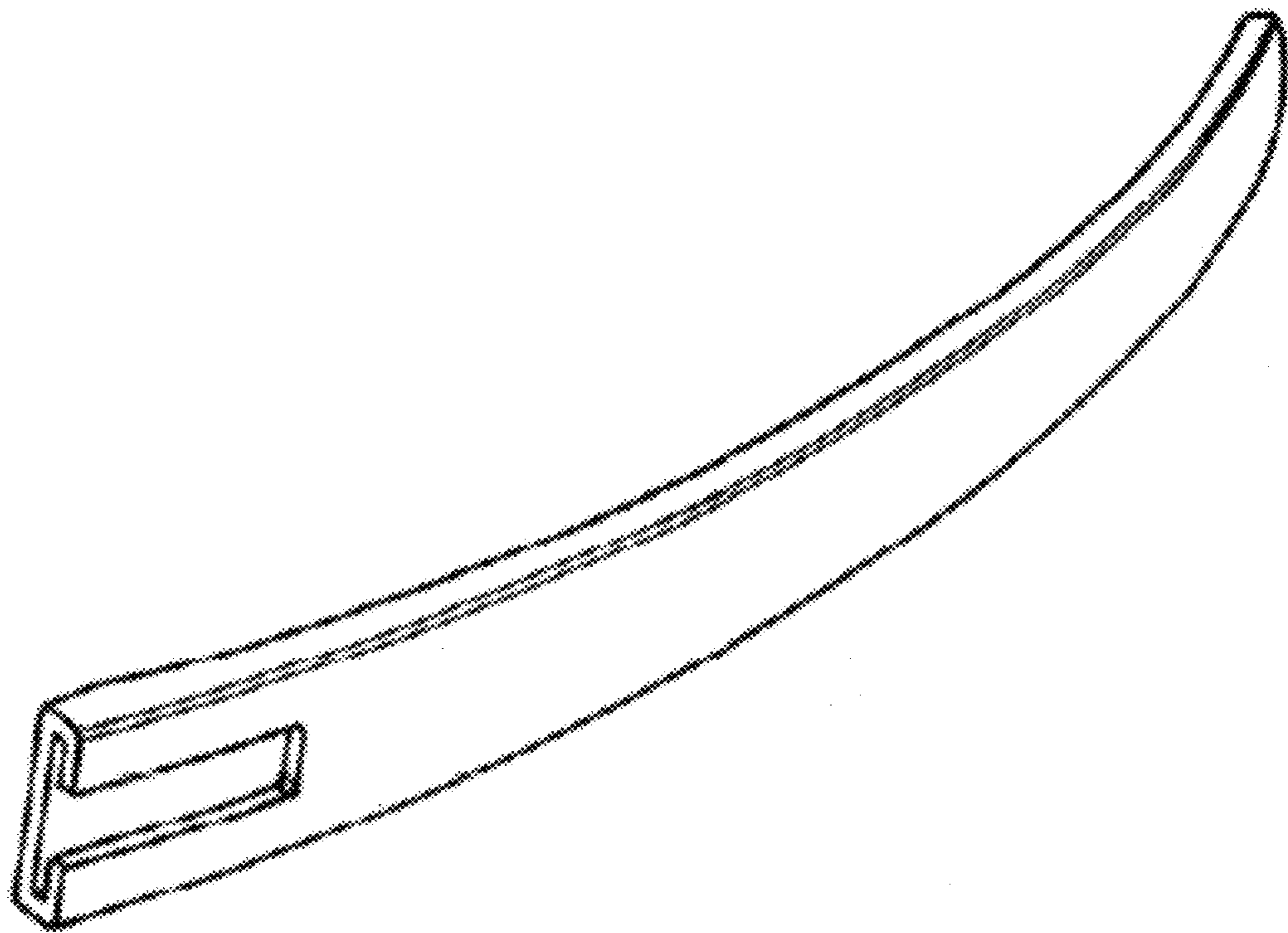


FIG. 8

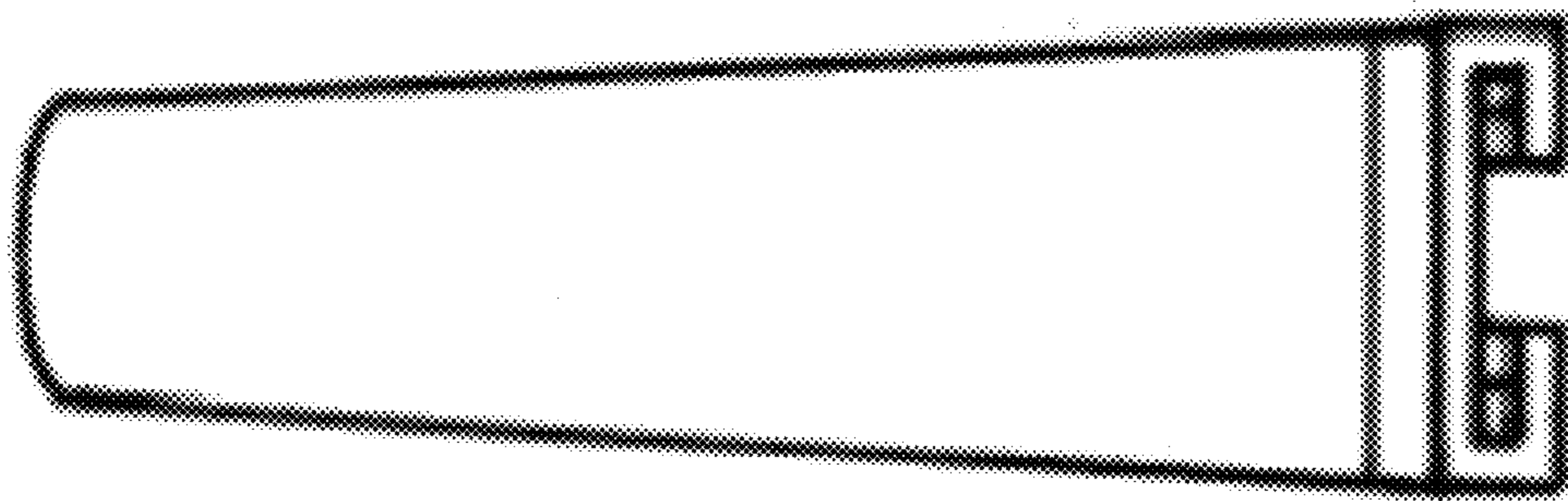


FIG. 9

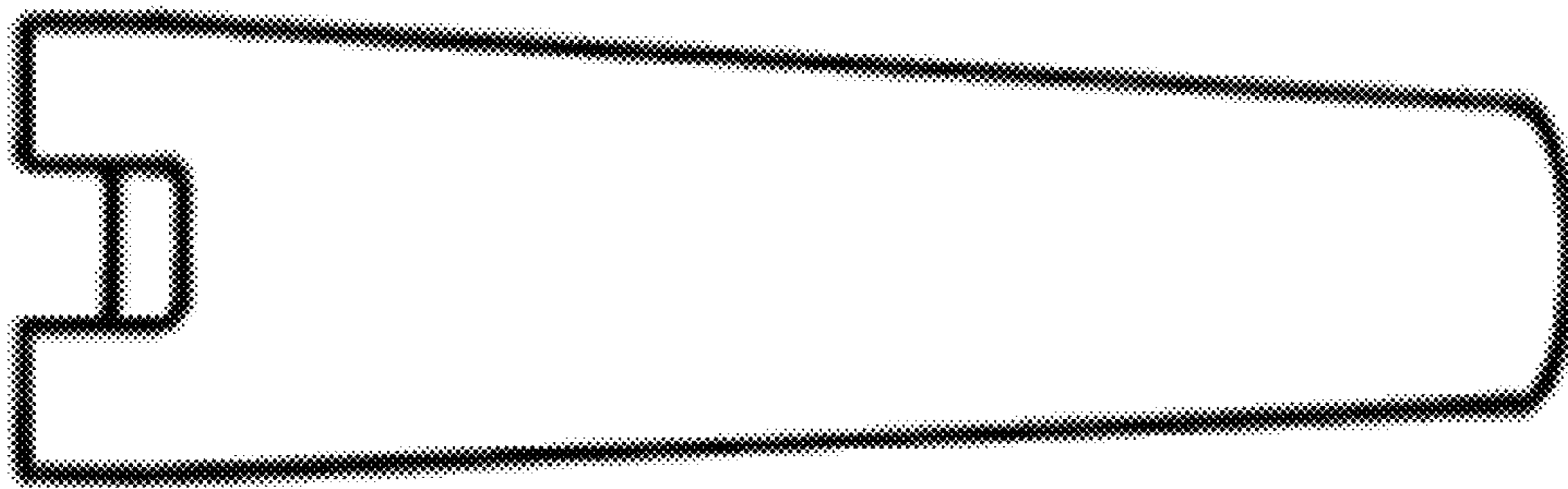


FIG. 10



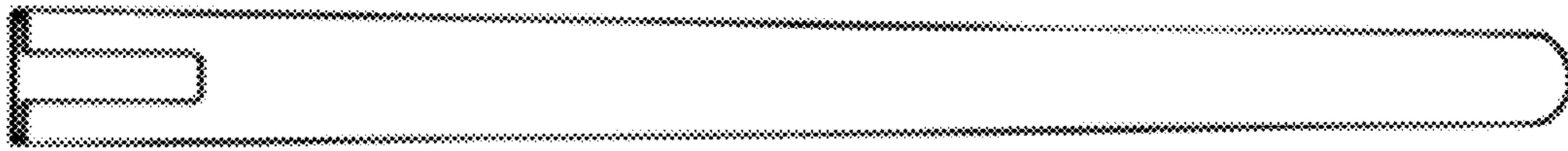


FIG. 11

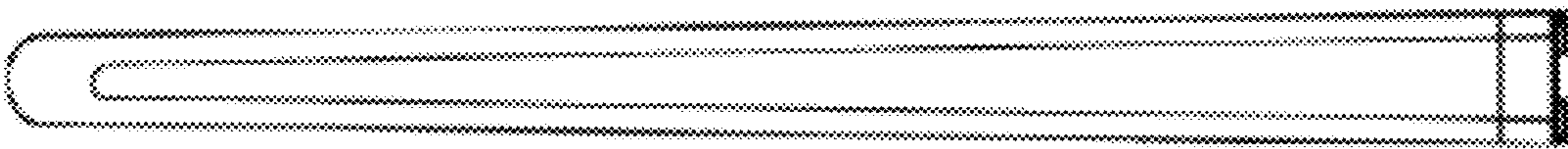


FIG. 12



FIG. 13

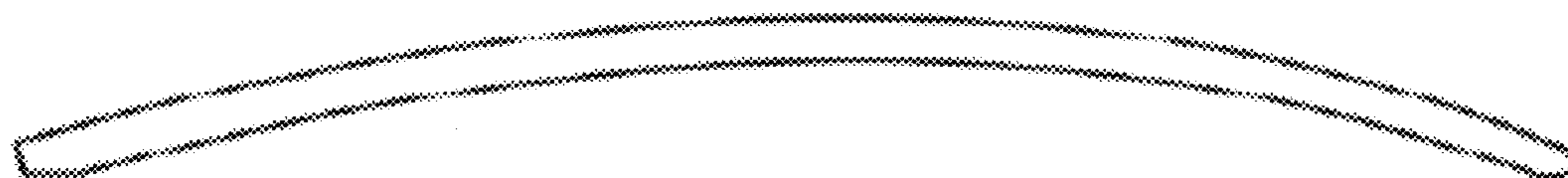


FIG. 14

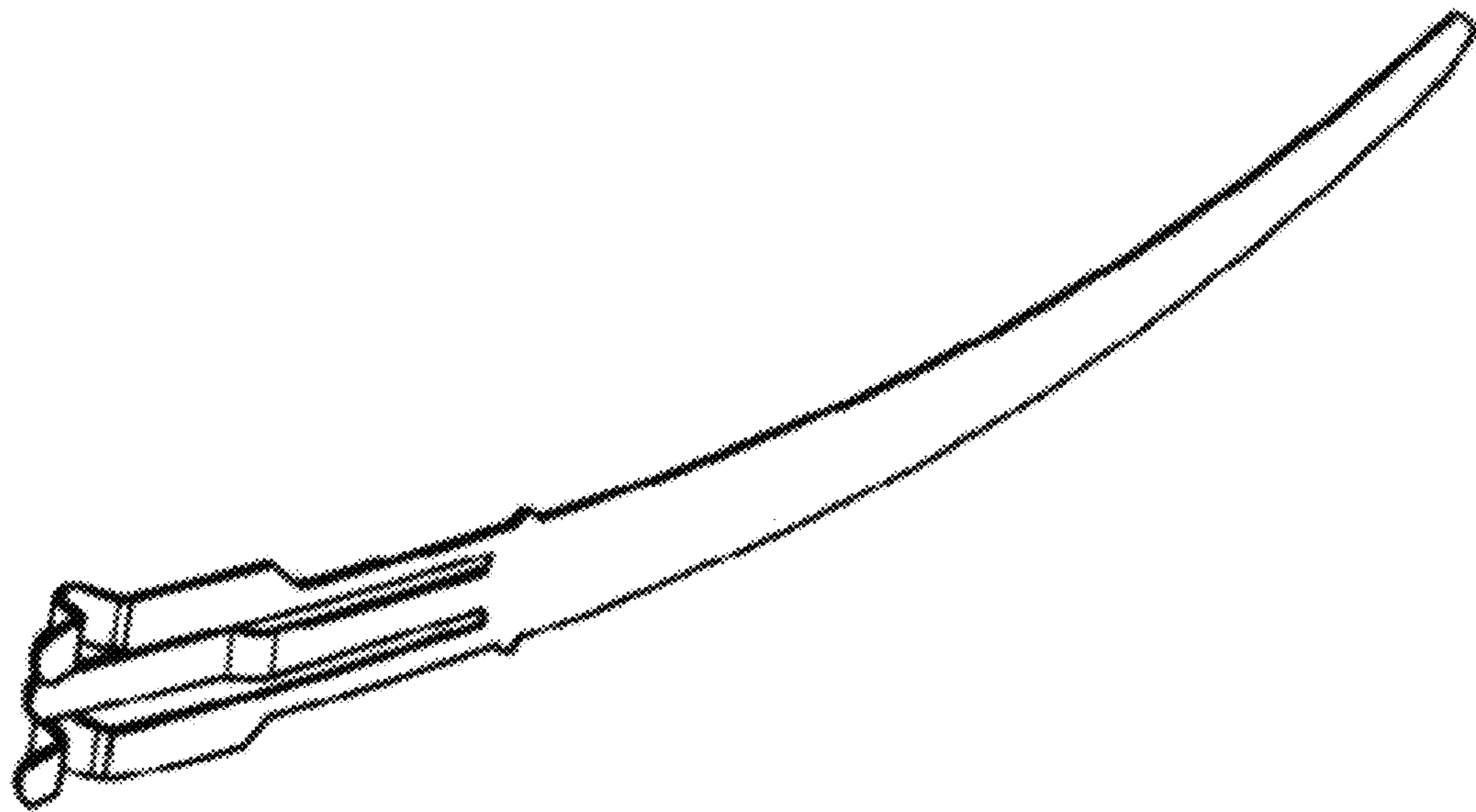


FIG. 15



FIG. 16



FIG. 17

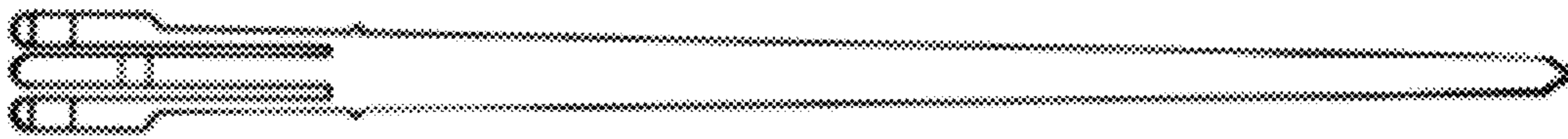


FIG. 18

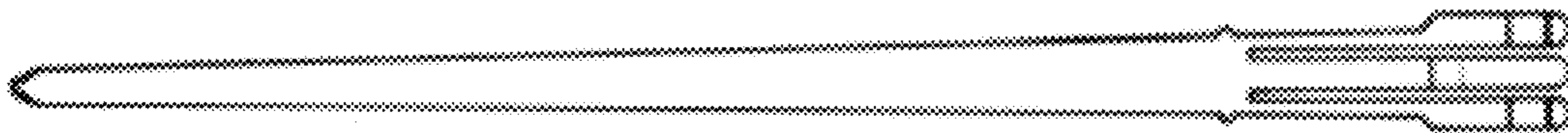
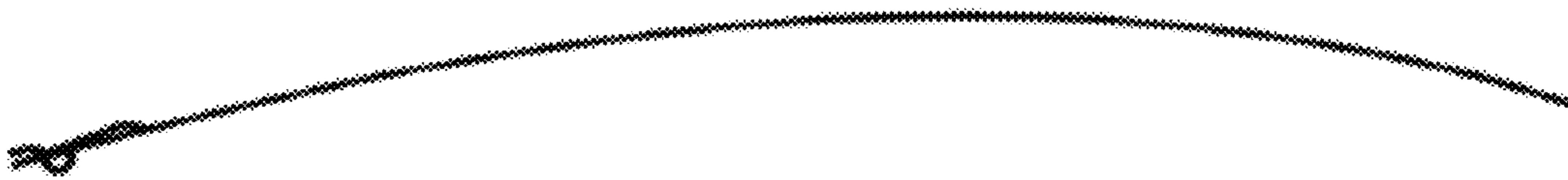


FIG. 19



**FIG. 20**



**FIG. 21**