



US00D658699S

(12) **United States Design Patent**  
**Azuma**

(10) **Patent No.:** **US D658,699 S**

(45) **Date of Patent:** **\*\* May 1, 2012**

(54) **PROJECTOR**

(75) Inventor: **Sadayoshi Azuma**, Kyoto (JP)

(73) Assignee: **Panasonic Corporation**, Osaka (JP)

(\*\*) Term: **14 Years**

(21) Appl. No.: **29/391,061**

(22) Filed: **May 3, 2011**

(30) **Foreign Application Priority Data**

Dec. 7, 2010 (JP) ..... 2010-029151

(51) **LOC (9) Cl.** ..... **16-02**

(52) **U.S. Cl.** ..... **D16/230; D16/225**

(58) **Field of Classification Search** ..... D16/205,  
D16/208, 221, 225, 230-231, 234; D21/514;  
353/52, 115, 119, 122  
See application file for complete search history.

(56) **References Cited**

**U.S. PATENT DOCUMENTS**

D482,716 S *	11/2003	Azuma et al.	.....	D16/230
D523,058 S *	6/2006	On et al.	.....	D16/230
D545,340 S *	6/2007	Azuma	.....	D16/230
D550,748 S *	9/2007	Uchiyama	.....	D16/230
D553,172 S *	10/2007	Azuma	.....	D16/230
D555,696 S *	11/2007	Naruki	.....	D16/230
D555,697 S *	11/2007	Kawabe et al.	.....	D16/230
D565,630 S *	4/2008	Morishita	.....	D16/230
D574,876 S *	8/2008	Yano	.....	D16/230

**FOREIGN PATENT DOCUMENTS**

JP	D1202253	4/2004
JP	D1288232	12/2006
JP	D1323328	3/2008

**OTHER PUBLICATIONS**

Sanyo Electric Co., Ltd, "LP-XW200(W)", obtained from the internet at <[http://products.jp.sanyo.com/biz/products/lp/LP-XW200\\_W/index.html](http://products.jp.sanyo.com/biz/products/lp/LP-XW200_W/index.html)> on Apr. 8, 2011, 2 pages.

\* cited by examiner

*Primary Examiner* — Wan Laymon

(74) *Attorney, Agent, or Firm* — Brinks Hofer Gilson & Lione

(57) **CLAIM**

I claim the ornamental design for a projector, as shown and described.

**DESCRIPTION**

FIG. 1 is a top perspective view of a projector of the present invention shown on a smaller scale than FIG. 2 through FIG. 7;

FIG. 2 is a front view thereof;

FIG. 3 is a rear view thereof;

FIG. 4 is a first side view thereof;

FIG. 5 is a second side view thereof;

FIG. 6 is a top view thereof; and,

FIG. 7 is a bottom view thereof.

The broken line showing of projector is included for the purpose of illustrating environment and forms no part of the claimed design.

**1 Claim, 5 Drawing Sheets**

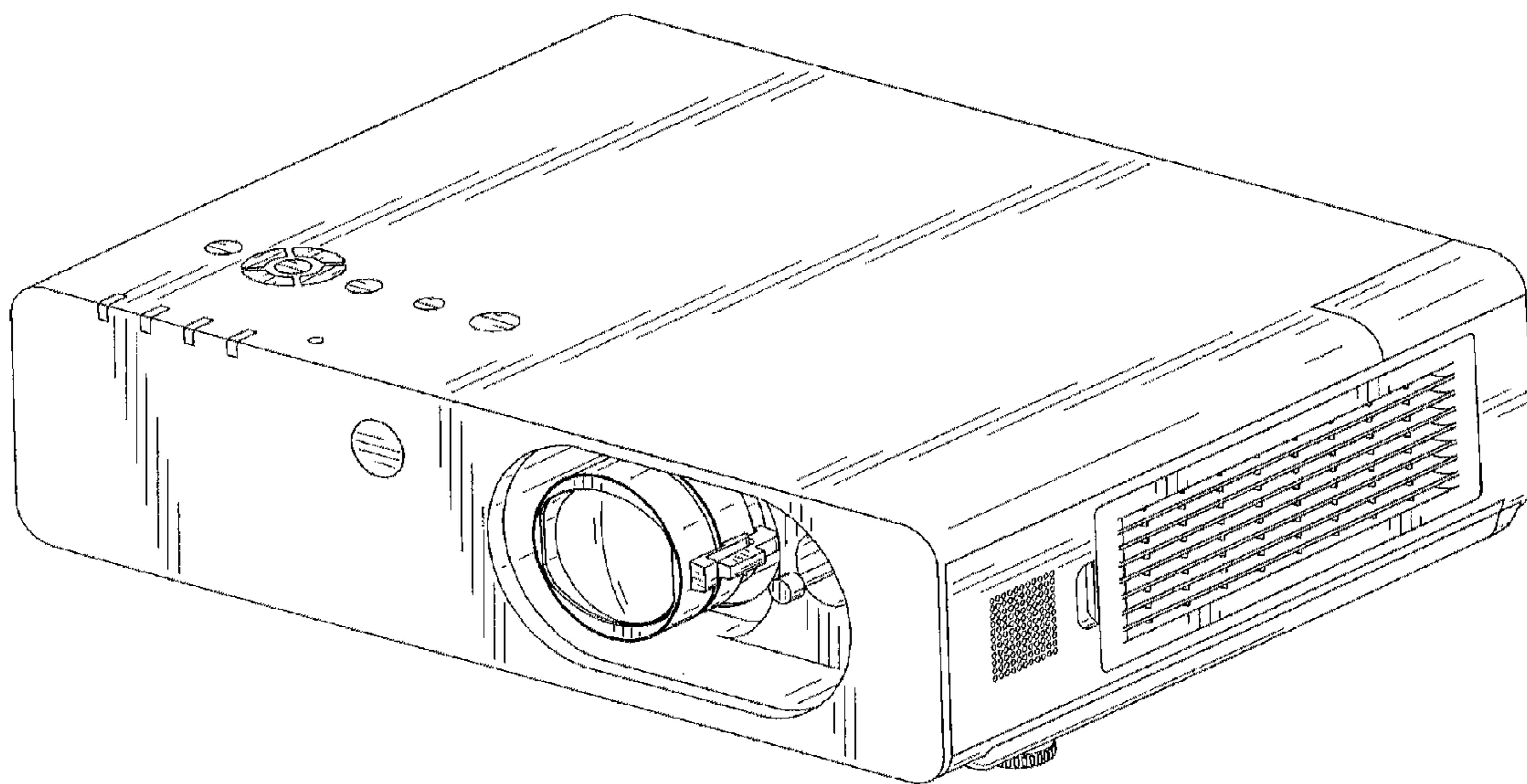


FIG.1

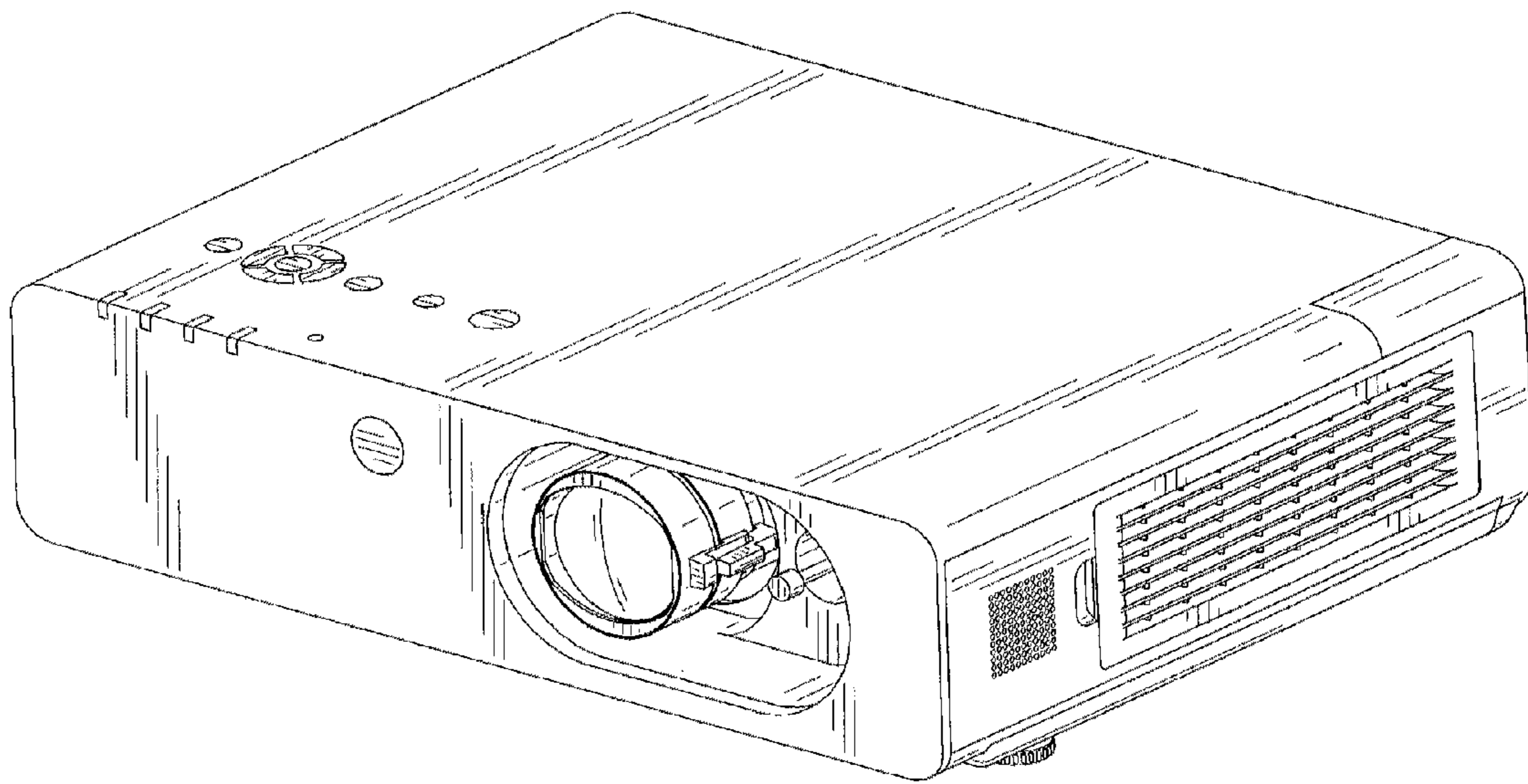


FIG.2

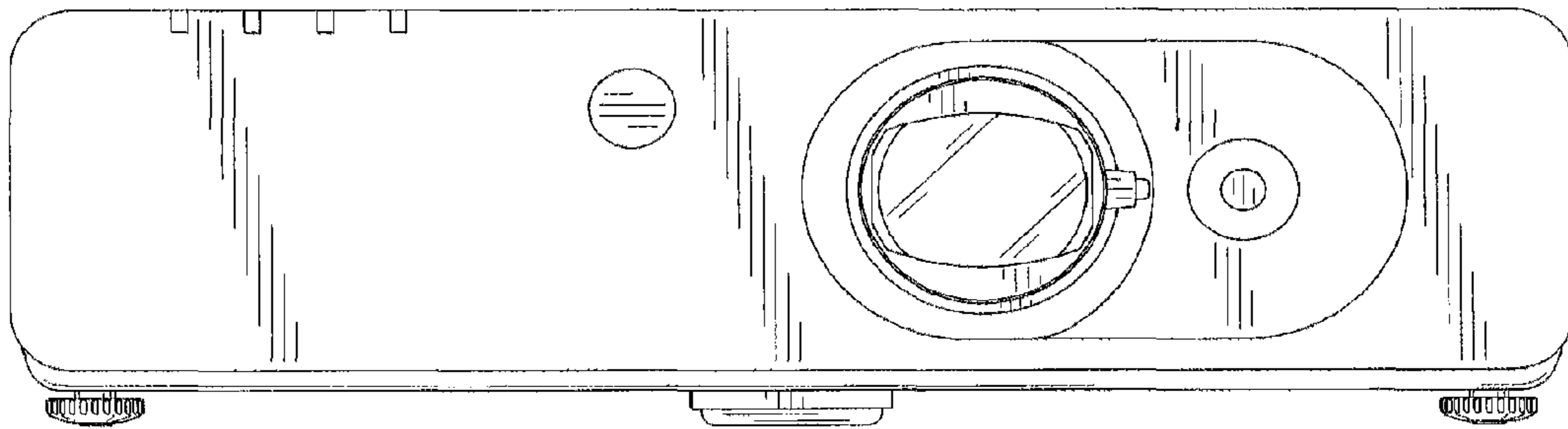


FIG.3

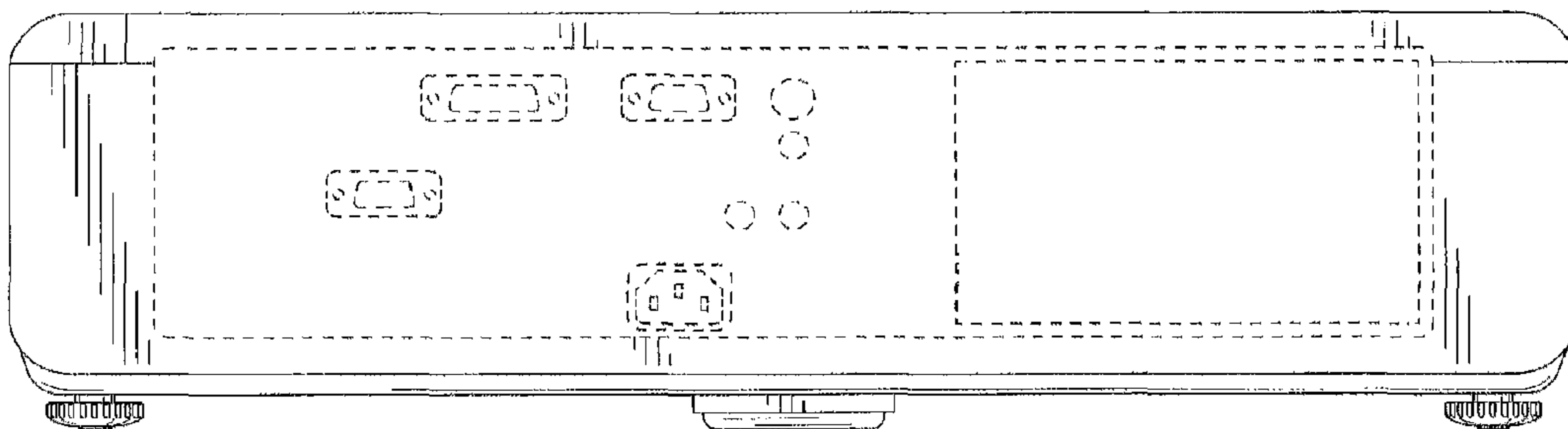


FIG.4

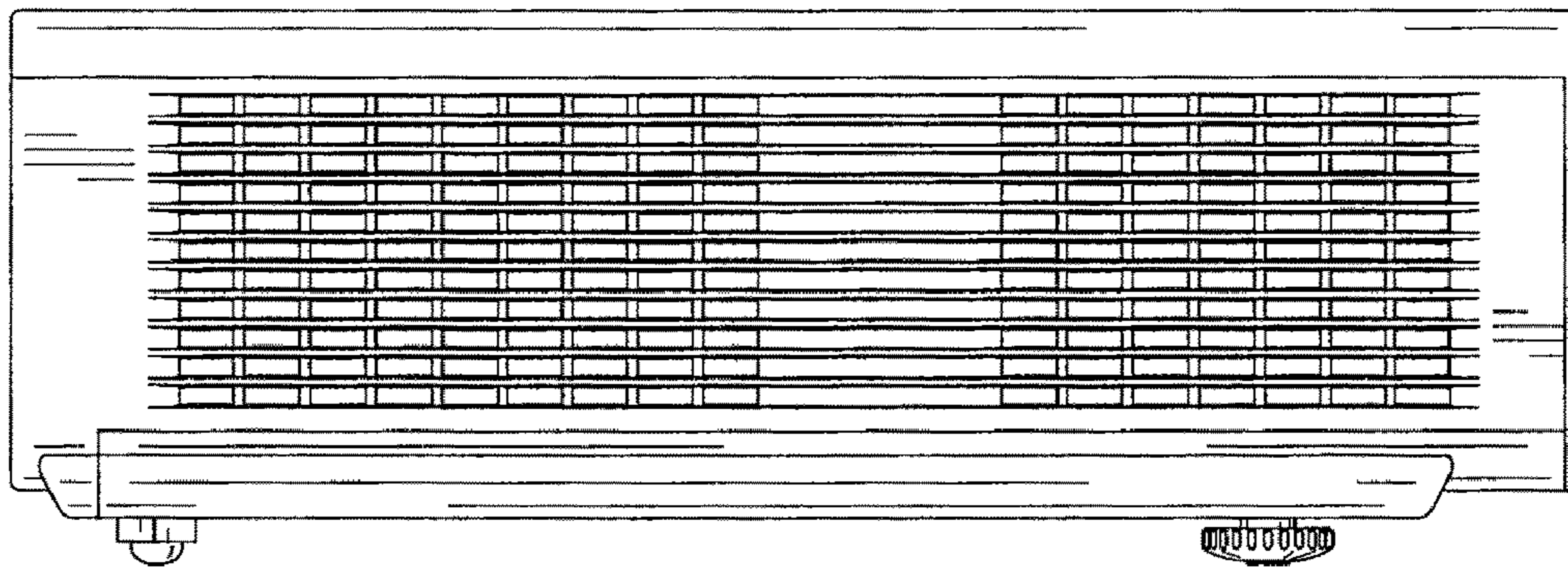


FIG.5

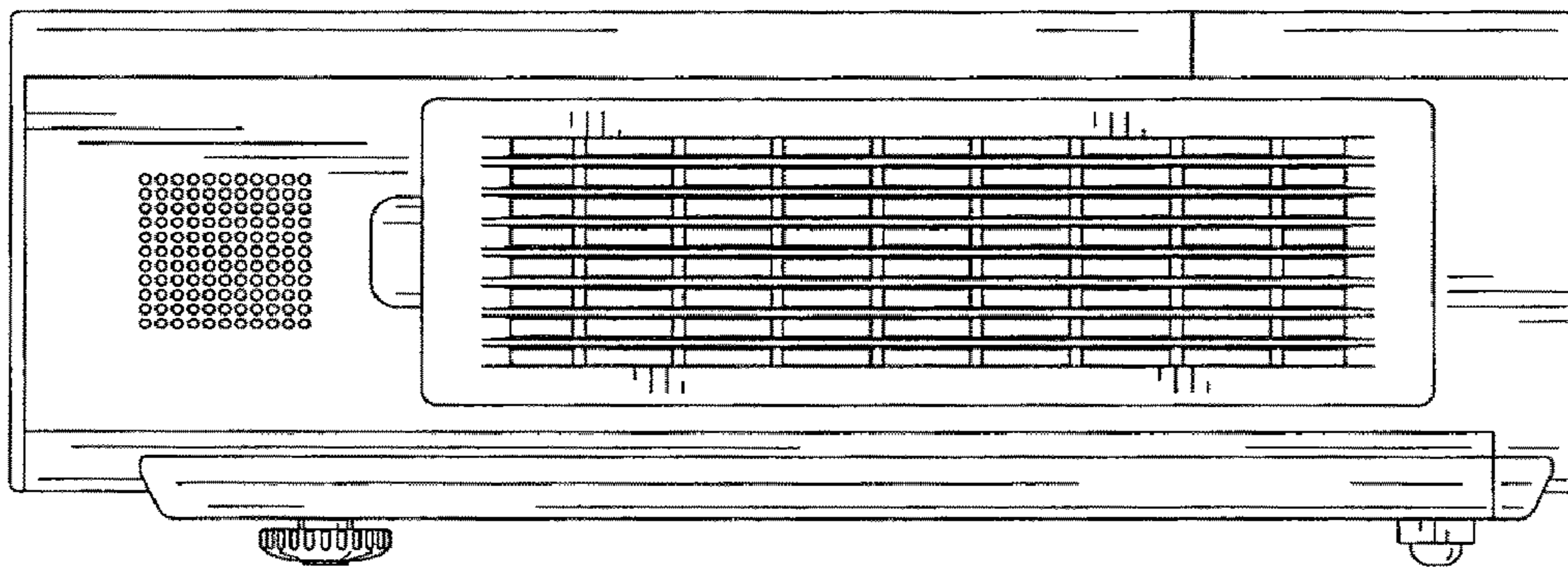


FIG.6

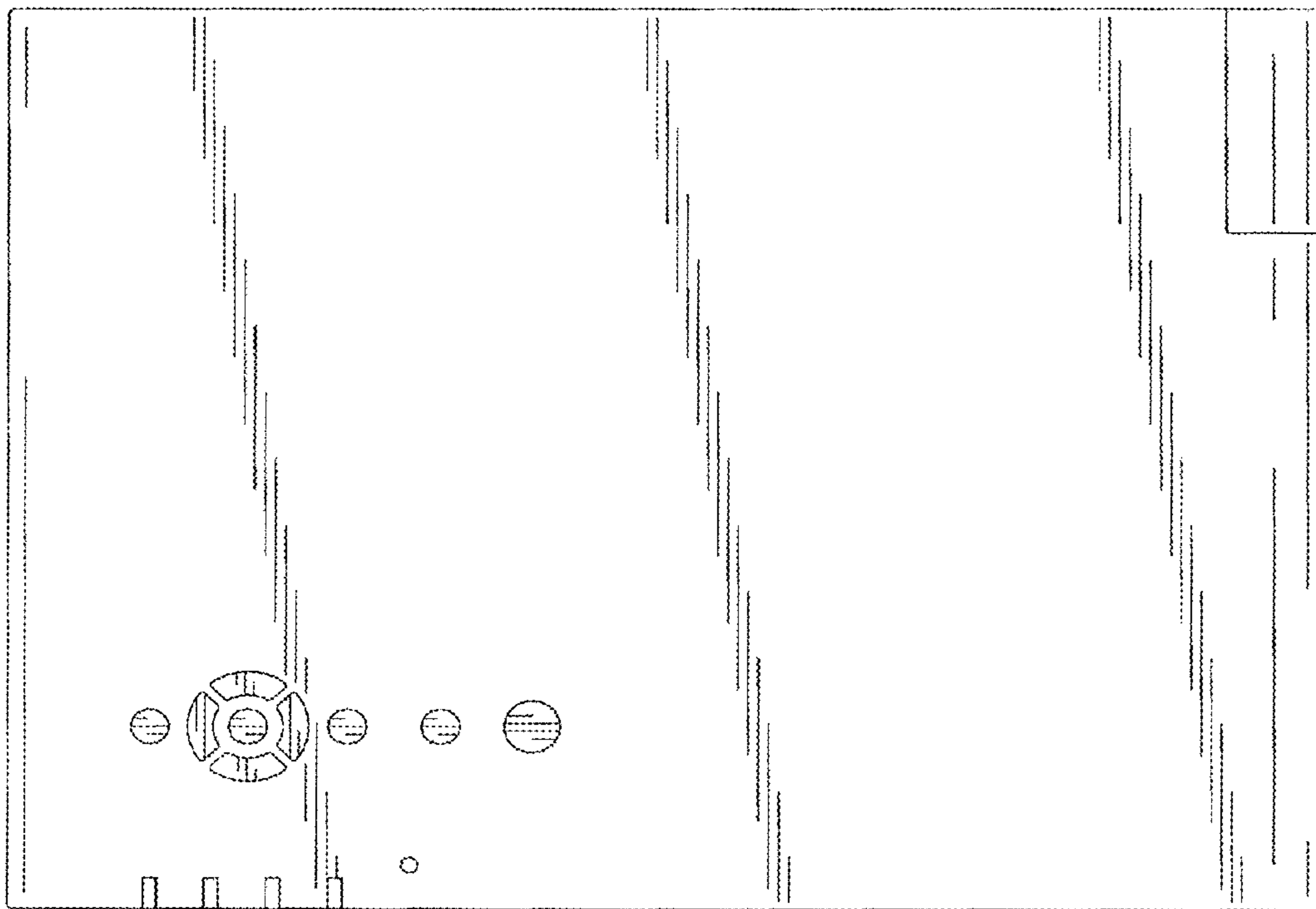


FIG. 7

