



US00D658696S

(12) **United States Design Patent**
Au

(10) **Patent No.:** **US D658,696 S**

(45) **Date of Patent:** **** May 1, 2012**

(54) **AUTOMATIC WINDING WATCH DISPLAY BOX WITH LCD CONTROL PANEL**

Primary Examiner — Patricia Palasik

(74) *Attorney, Agent, or Firm* — Raymond Y. Chan; David and Raymond Patent Firm

(76) **Inventor:** **Kinsen Ka Fai Au**, Tuen Mun (HK)

(**) **Term:** **14 Years**

(21) **Appl. No.:** **29/374,028**

(22) **Filed:** **Jun. 24, 2011**

(51) **LOC (9) Cl.** **15-99**

(52) **U.S. Cl.** **D15/199**

(58) **Field of Classification Search** D15/199;
81/7.5; 366/14; 368/10, 206-209

See application file for complete search history.

(56) **References Cited**

U.S. PATENT DOCUMENTS

D452,256 S *	12/2001	Wolf	D15/199
D474,216 S *	5/2003	Siu	D15/199
D492,952 S *	7/2004	Siu	D15/199
D520,540 S *	5/2006	Siu	D15/199
D556,227 S *	11/2007	Au	D15/199
D607,028 S *	12/2009	Subilia	D15/199
2003/0076748 A1 *	4/2003	Rustioni	368/206
2009/0294320 A1 *	12/2009	Wolf et al.	206/486
2011/0026374 A1 *	2/2011	Chang	368/206

* cited by examiner

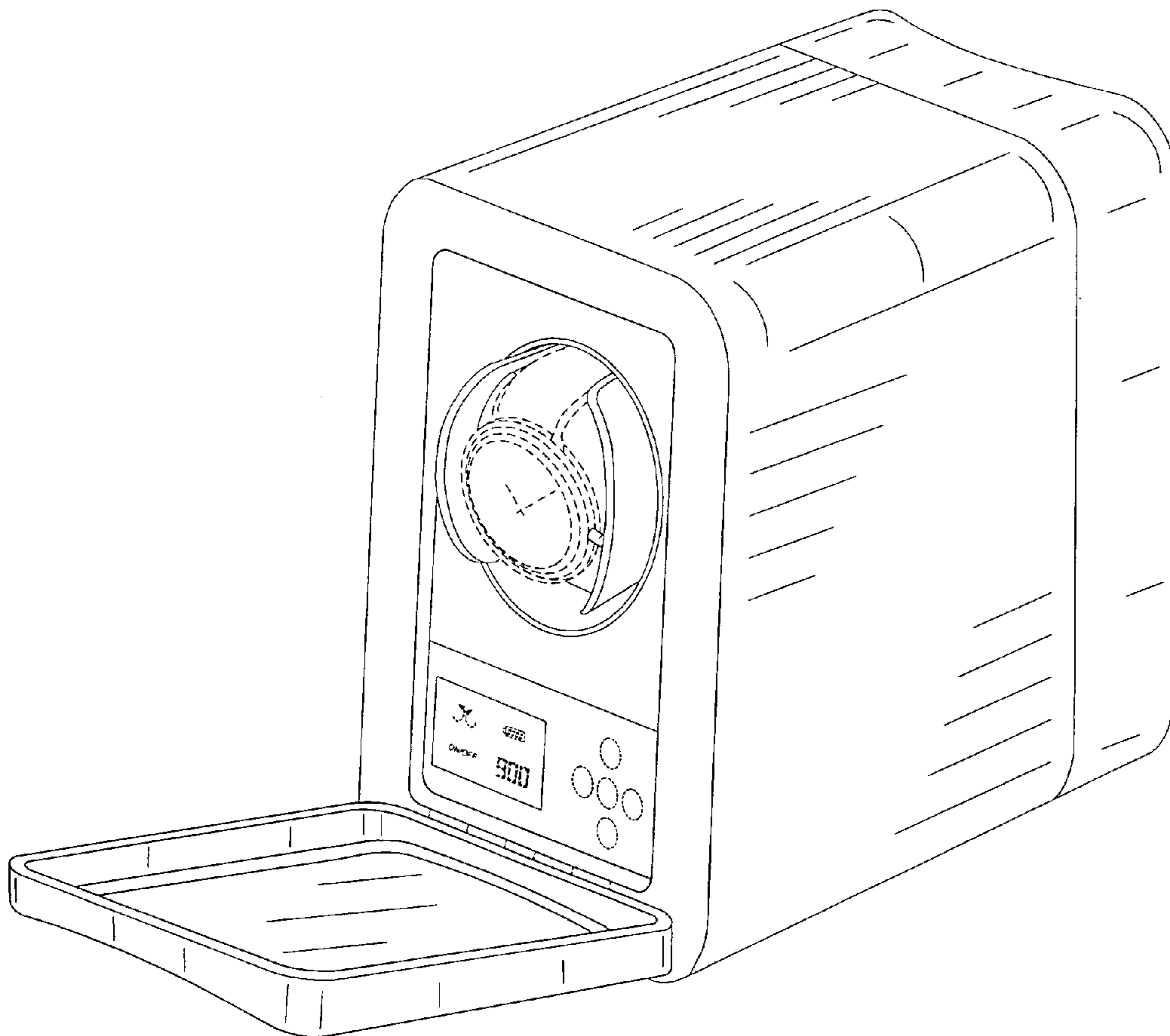
(57) **CLAIM**

The ornamental design for an automatic winding watch display box with LCD control panel, as shown and described.

DESCRIPTION

FIG. 1 is a perspective view of an automatic winding watch display box with LCD control panel showing my new design. FIG. 2 is a front view thereof. FIG. 3 is a rear view thereof. FIG. 4 is a left end view thereof. FIG. 5 is a right end view thereof. FIG. 6 is a top view thereof. FIG. 7 is a bottom view thereof; and, FIG. 8 is a perspective view in an open position thereof. The broken lines in the drawings depict unclaimed environmental subject matter.

1 Claim, 8 Drawing Sheets



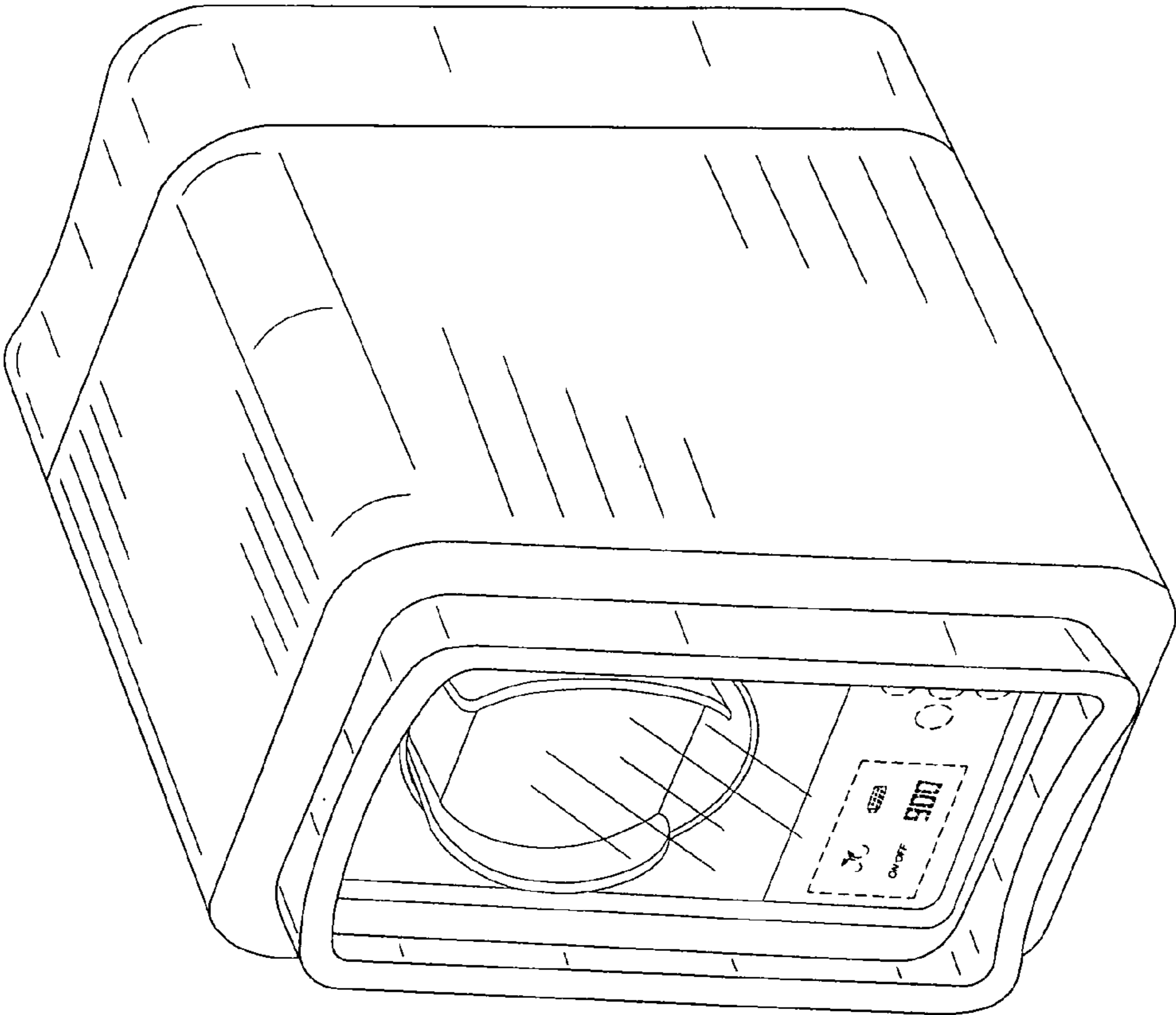


FIG.1

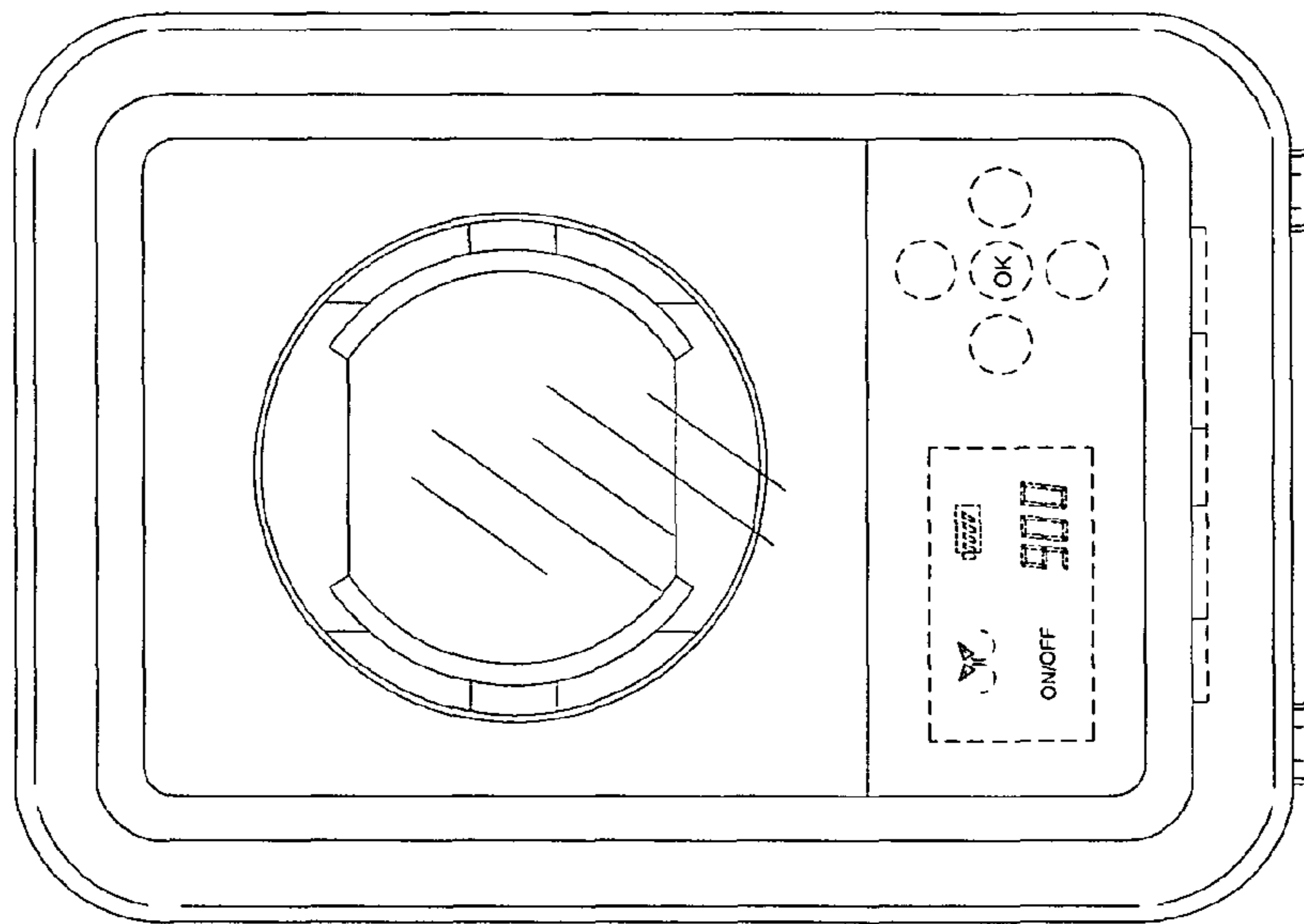


FIG.2

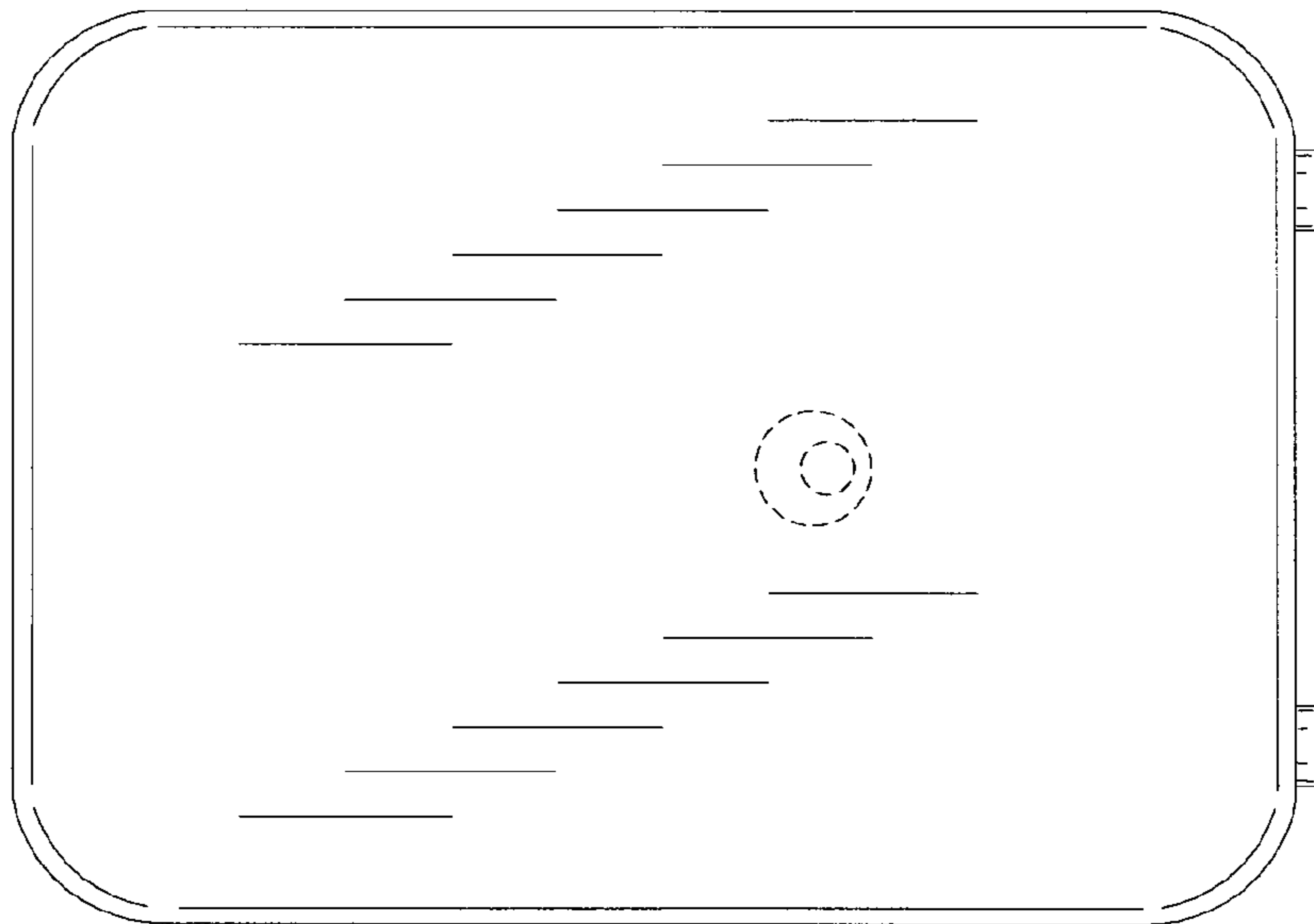


FIG.3

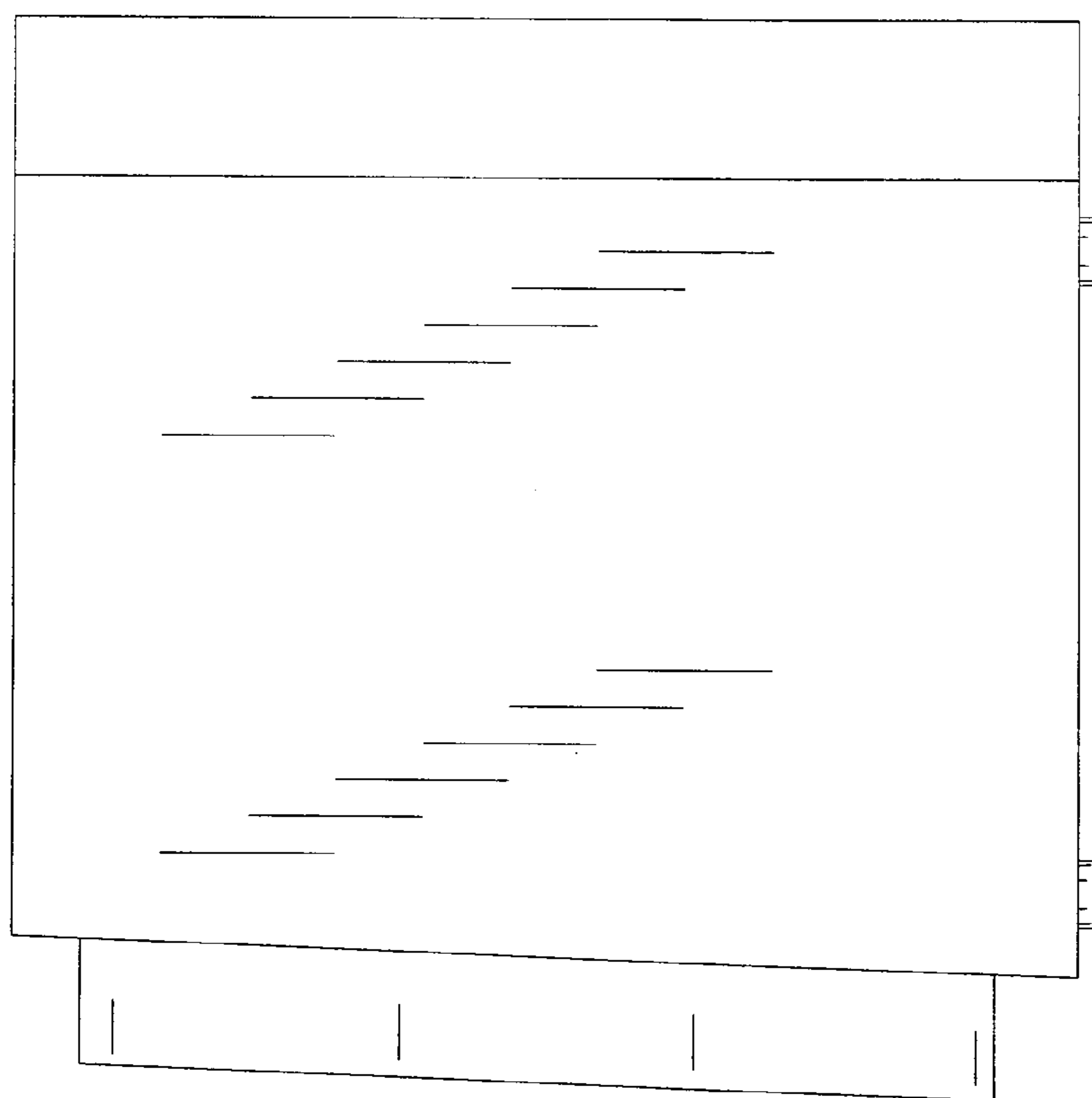


FIG.4

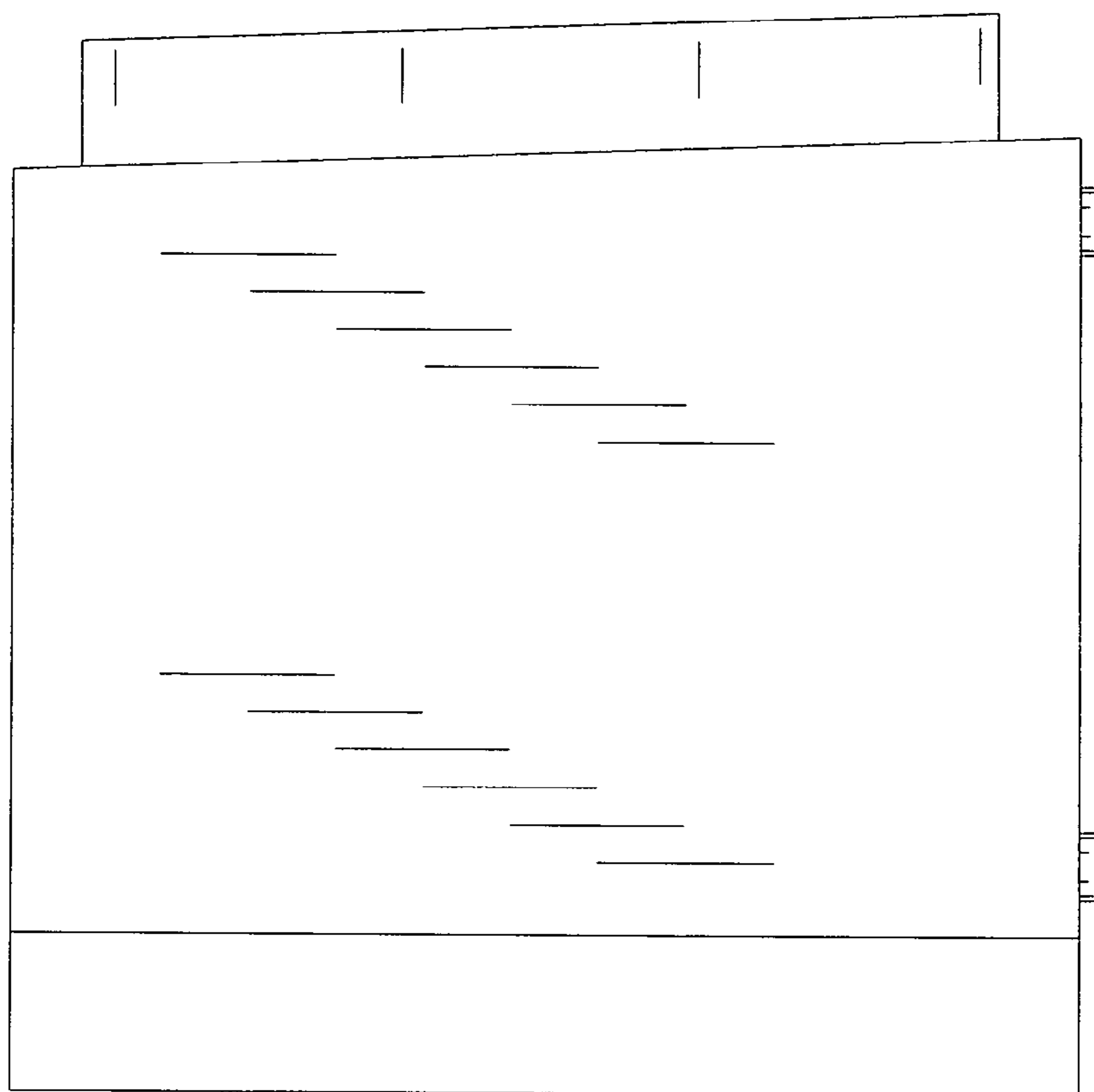


FIG.5

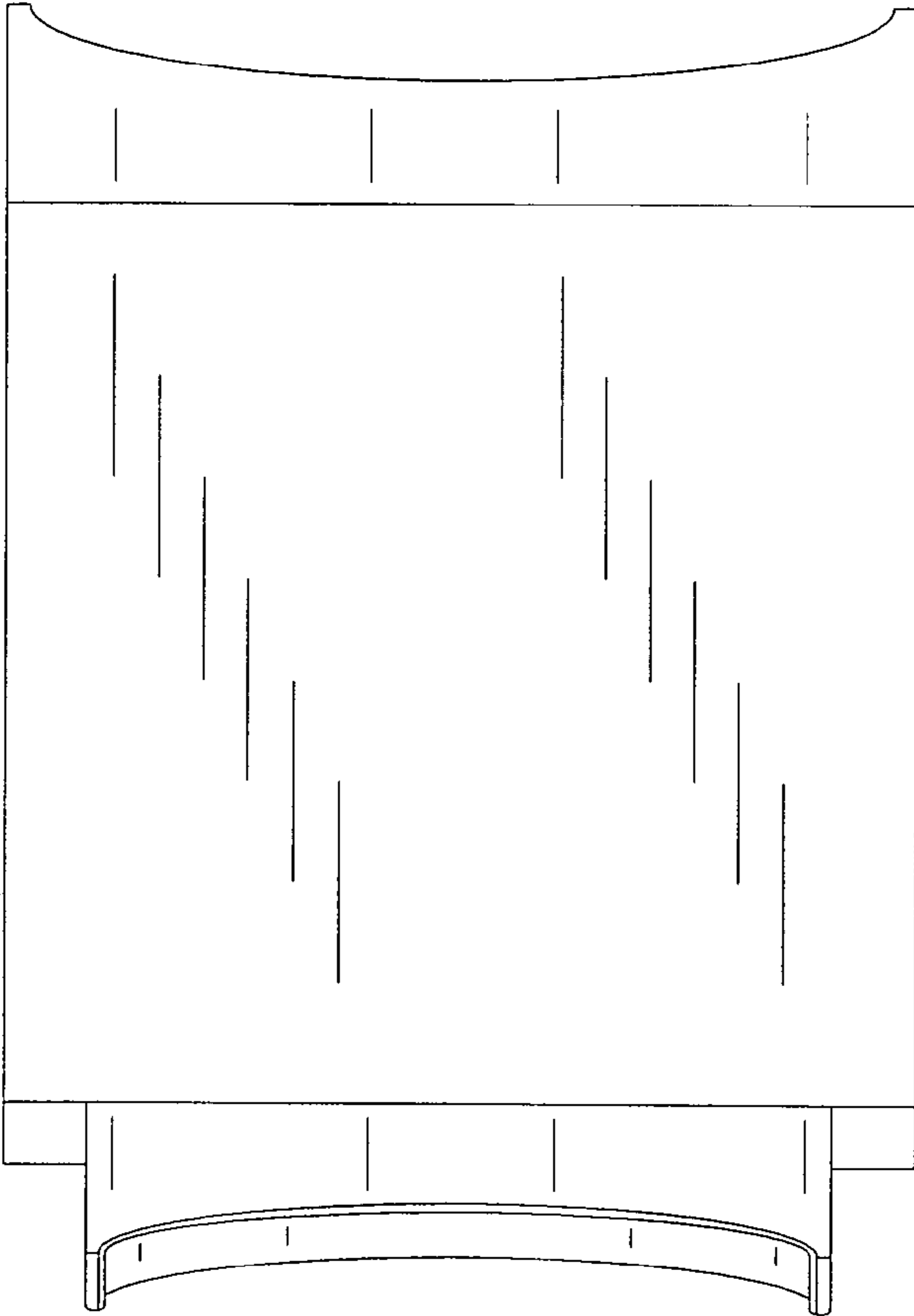


FIG. 6

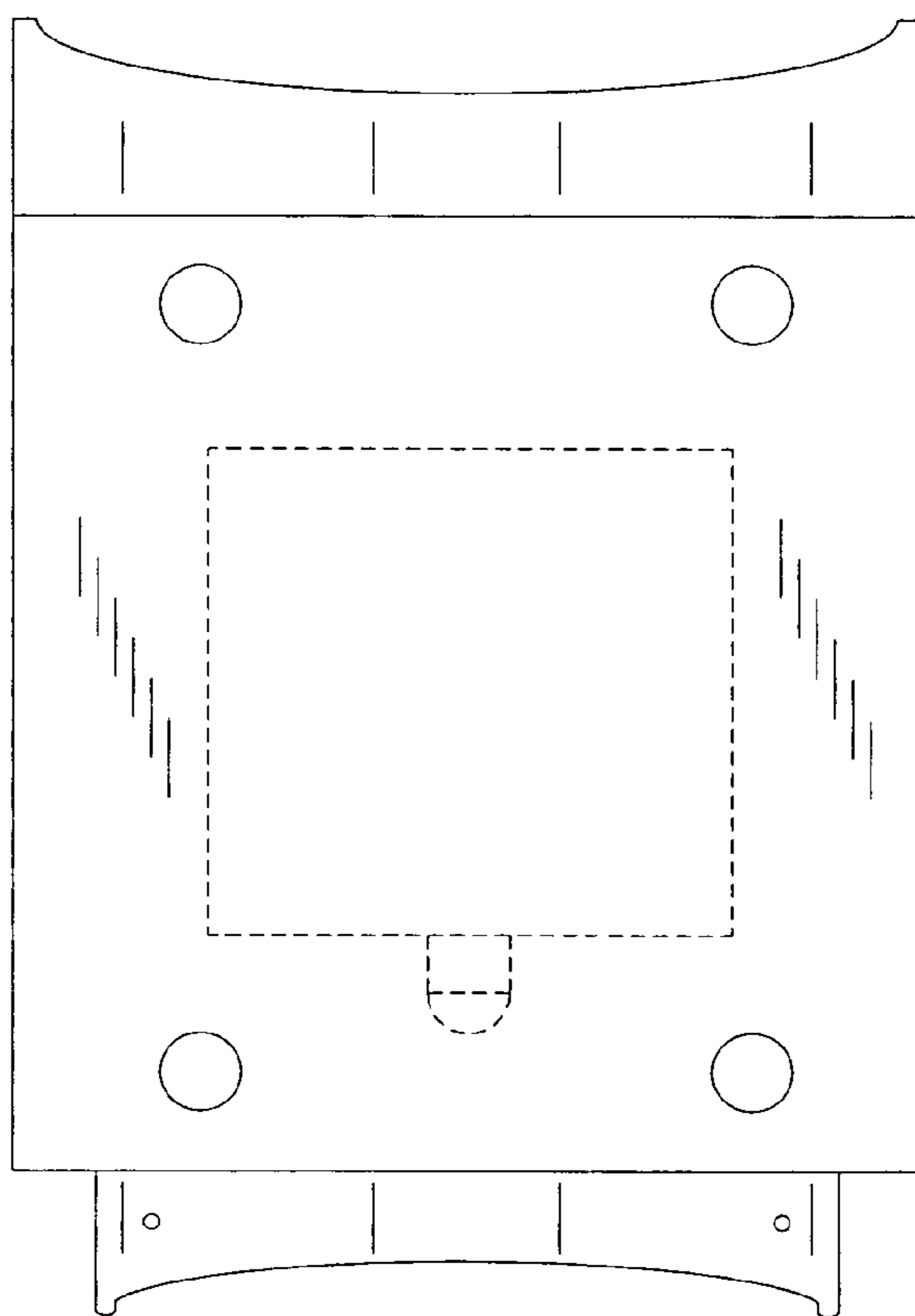


FIG. 7

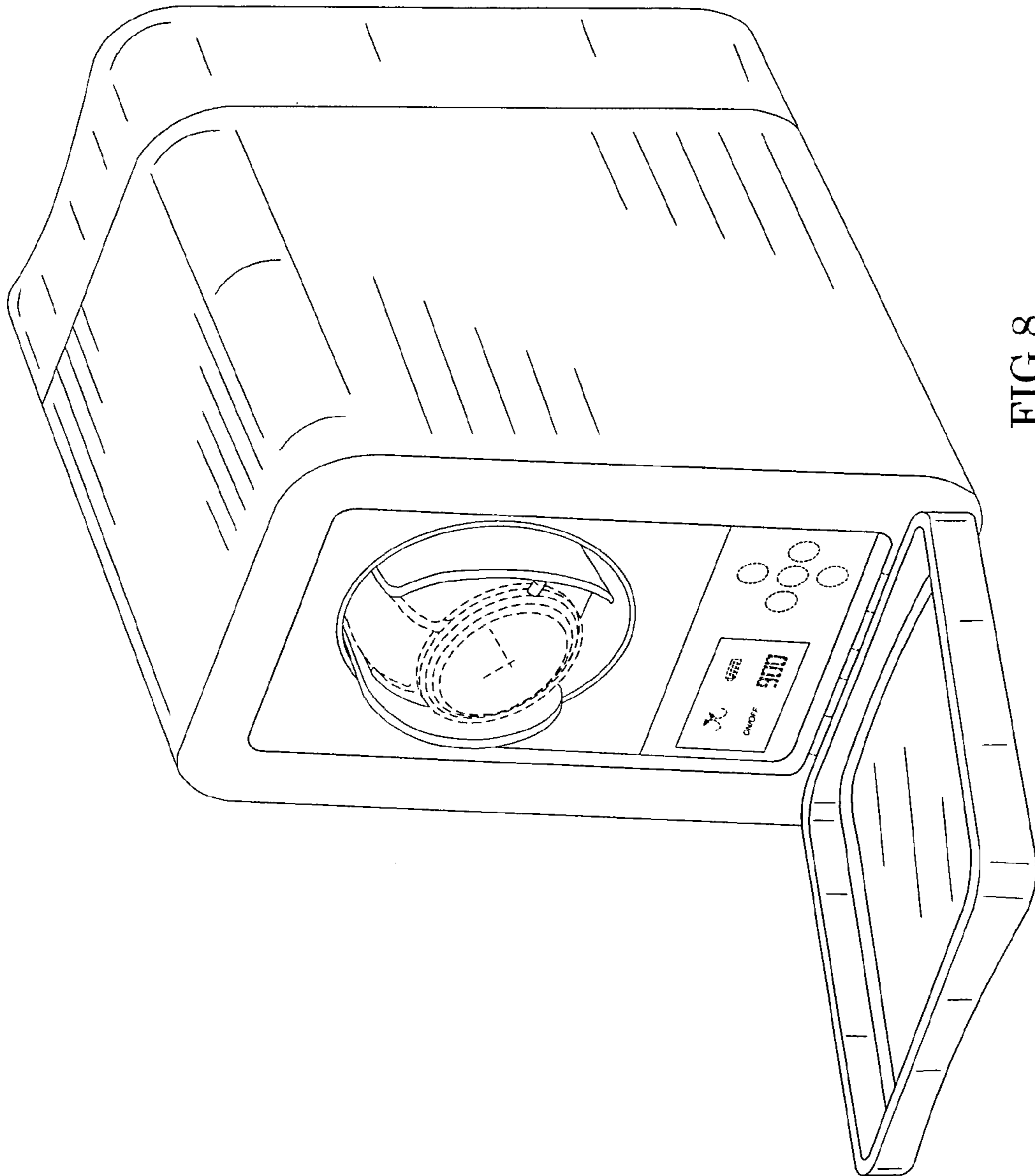


FIG. 8