



US00D658694S

(12) **United States Design Patent**  
**Day et al.**

(10) **Patent No.:** **US D658,694 S**

(45) **Date of Patent:** **\*\* May 1, 2012**

(54) **VACUUM PACKAGING APPLIANCE**

(75) Inventors: **Adam Day**, Boynton Beach, FL (US);  
**James Sener**, Glastonbury, CT (US)

(73) Assignee: **Sunbeam Products, Inc.**, Boca Raton,  
FL (US)

(\*\*) Term: **14 Years**

(21) Appl. No.: **29/410,938**

(22) Filed: **Jan. 13, 2012**

(51) **LOC (9) Cl.** ..... **15-99**

(52) **U.S. Cl.** ..... **D15/146**

(58) **Field of Classification Search** ..... D15/145,  
D15/146; 53/374.9, 389.2, 389.3, 390, 510,  
53/512; 101/9; 156/515, 583.4, 583.9; 219/143;  
493/256

See application file for complete search history.

(56) **References Cited**

**U.S. PATENT DOCUMENTS**

D233,066	S	*	10/1974	Bair	.....	D15/146
D342,532	S	*	12/1993	Deni	.....	D15/146
5,893,822	A	*	4/1999	Deni et al.	.....	53/512
6,256,968	B1	*	7/2001	Kristen	.....	53/512
D506,214	S	*	6/2005	Zepter	.....	D15/146

D536,355	S	*	2/2007	Levsen et al.	.....	D15/146
D579,957	S	*	11/2008	Kiple et al.	.....	D15/145
D608,803	S	*	1/2010	Hageman et al.	.....	D15/146
D633,118	S	*	2/2011	Beatty et al.	.....	D15/146
D640,299	S	*	6/2011	Day et al.	.....	D15/146
2005/0022471	A1	*	2/2005	Higer	.....	53/434
2005/0050855	A1	*	3/2005	Baptista	.....	53/434

\* cited by examiner

*Primary Examiner* — Patricia Palasik

(74) *Attorney, Agent, or Firm* — Michael J. Corrigan

(57) **CLAIM**

The ornamental design for a vacuum packaging appliance, as shown and described.

**DESCRIPTION**

FIG. 1 is a front perspective view of the vacuum packaging appliance;

FIG. 2 is a front view thereof;

FIG. 3 is a rear view thereof;

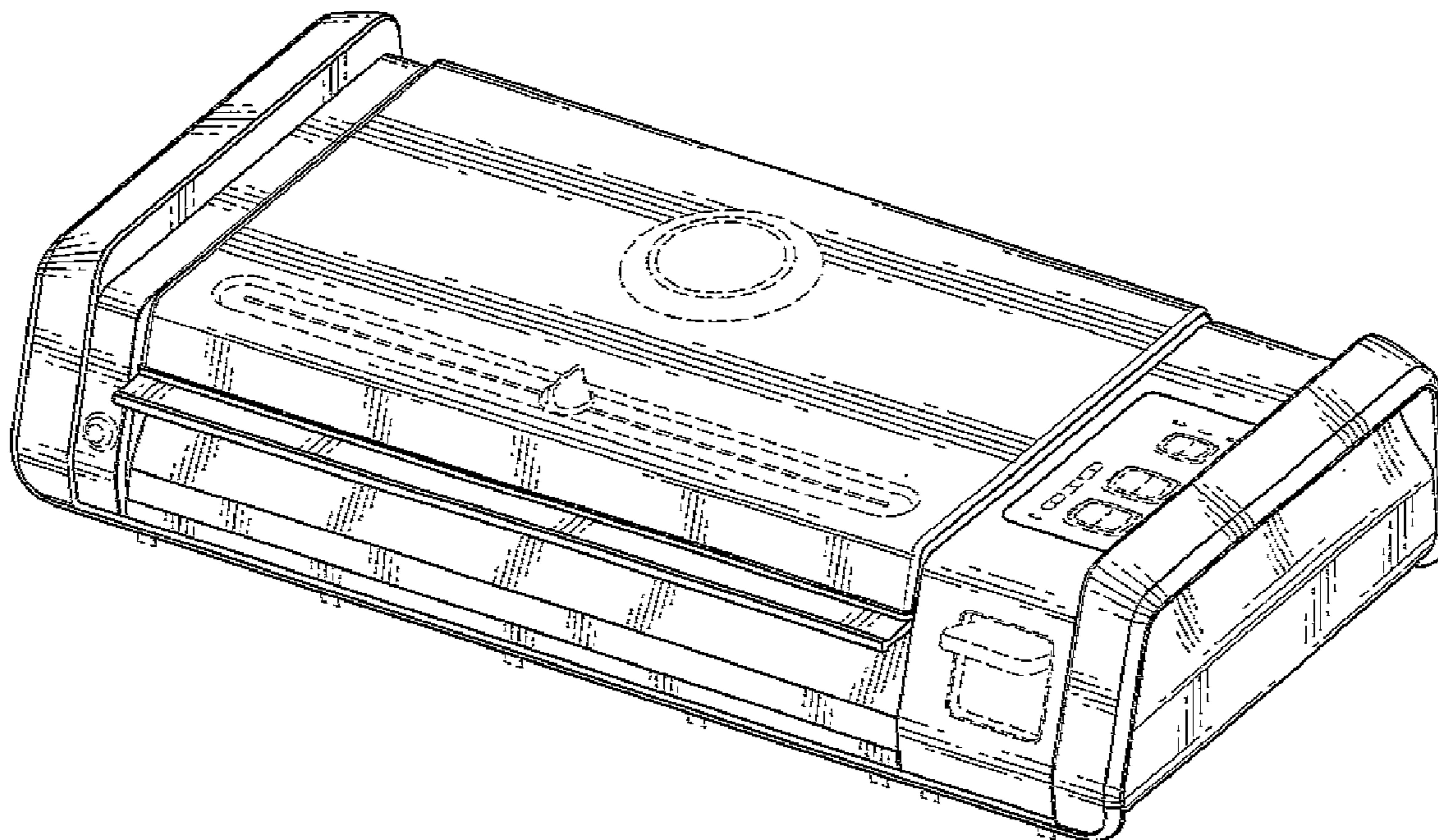
FIG. 4 is left side view thereof;

FIG. 5 is a right side view thereof; and,

FIG. 6 is a top view thereof.

The portion shown in dashed lines is shown for illustrative purposes only and forms no part of the claimed design.

**1 Claim, 3 Drawing Sheets**



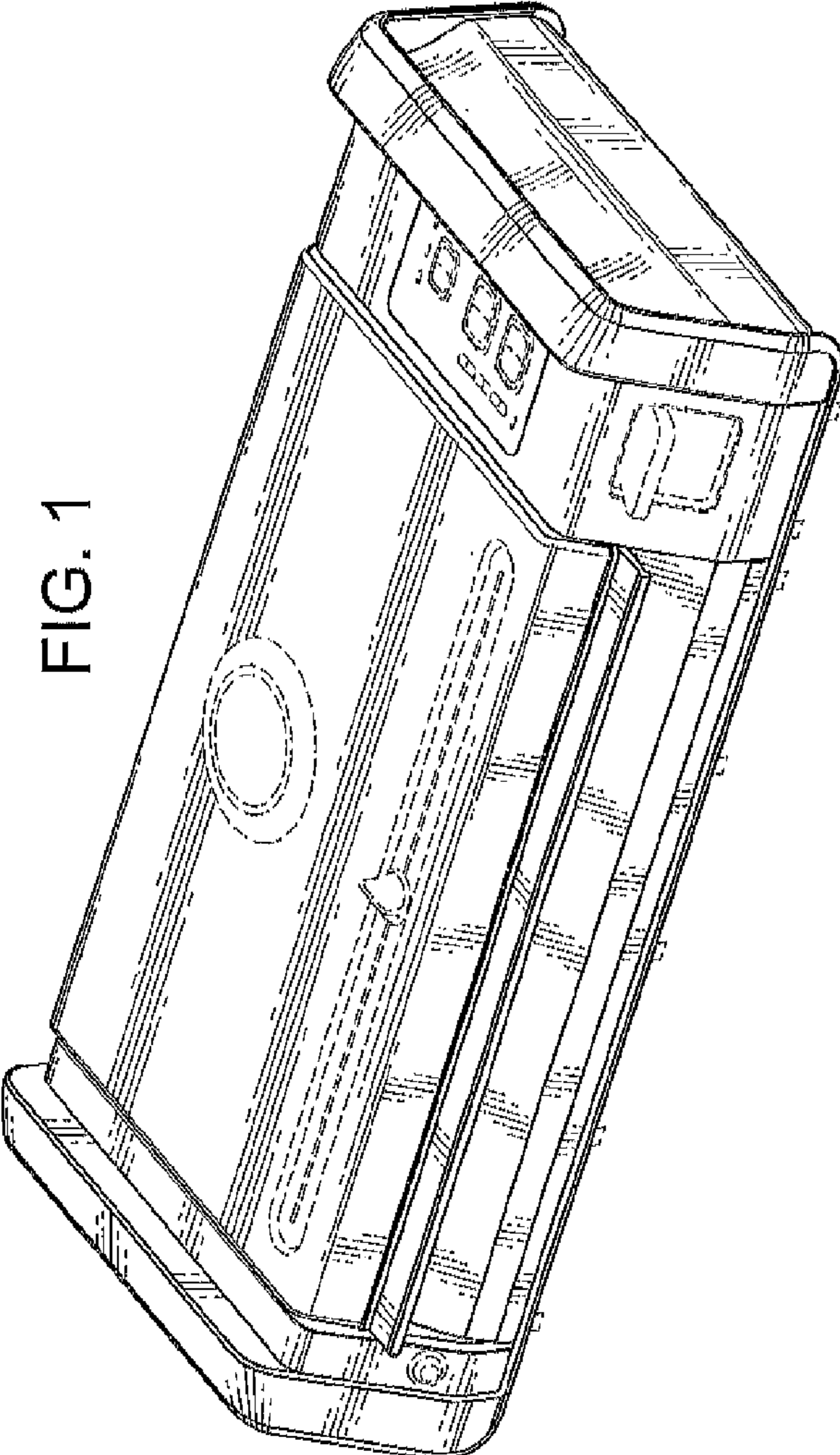


FIG. 1

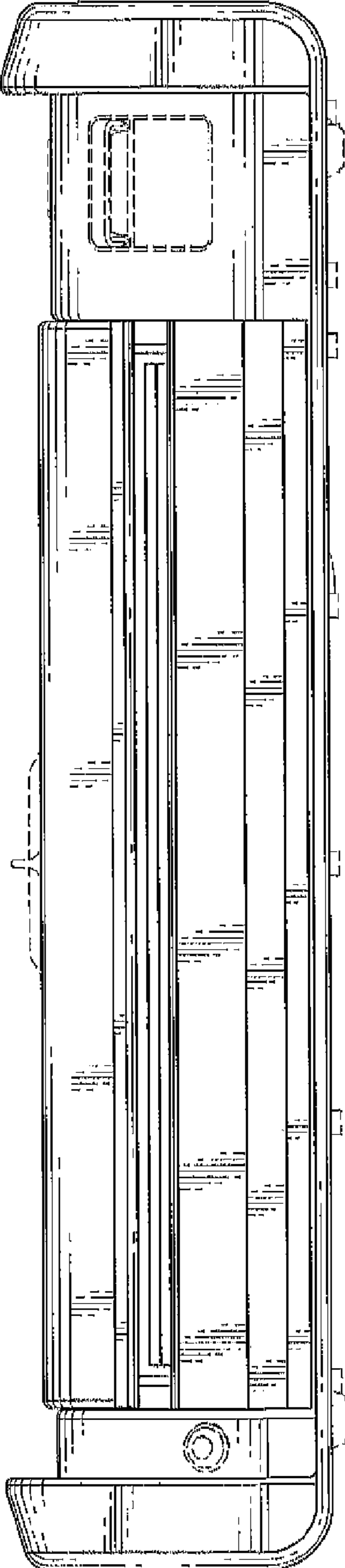


FIG. 2

FIG. 3

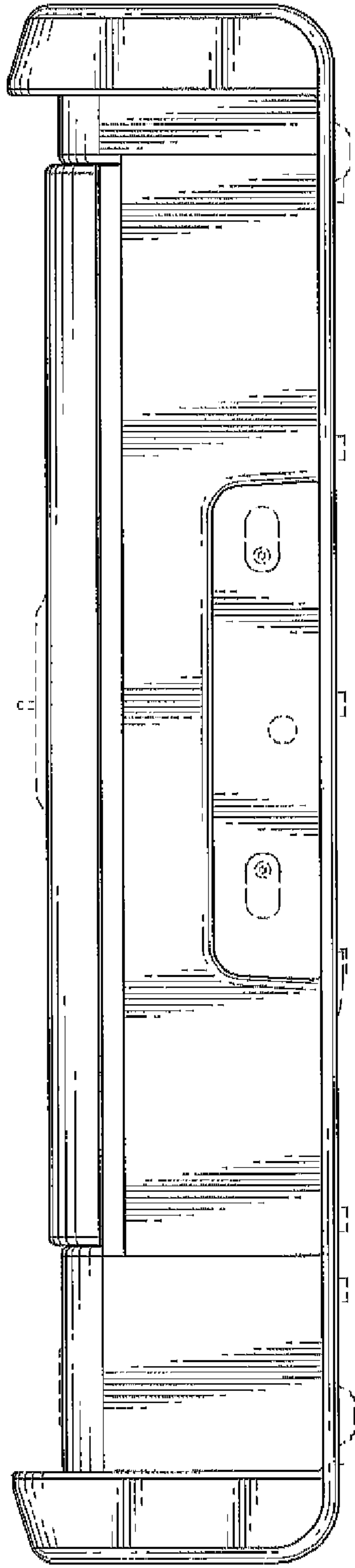


FIG. 5

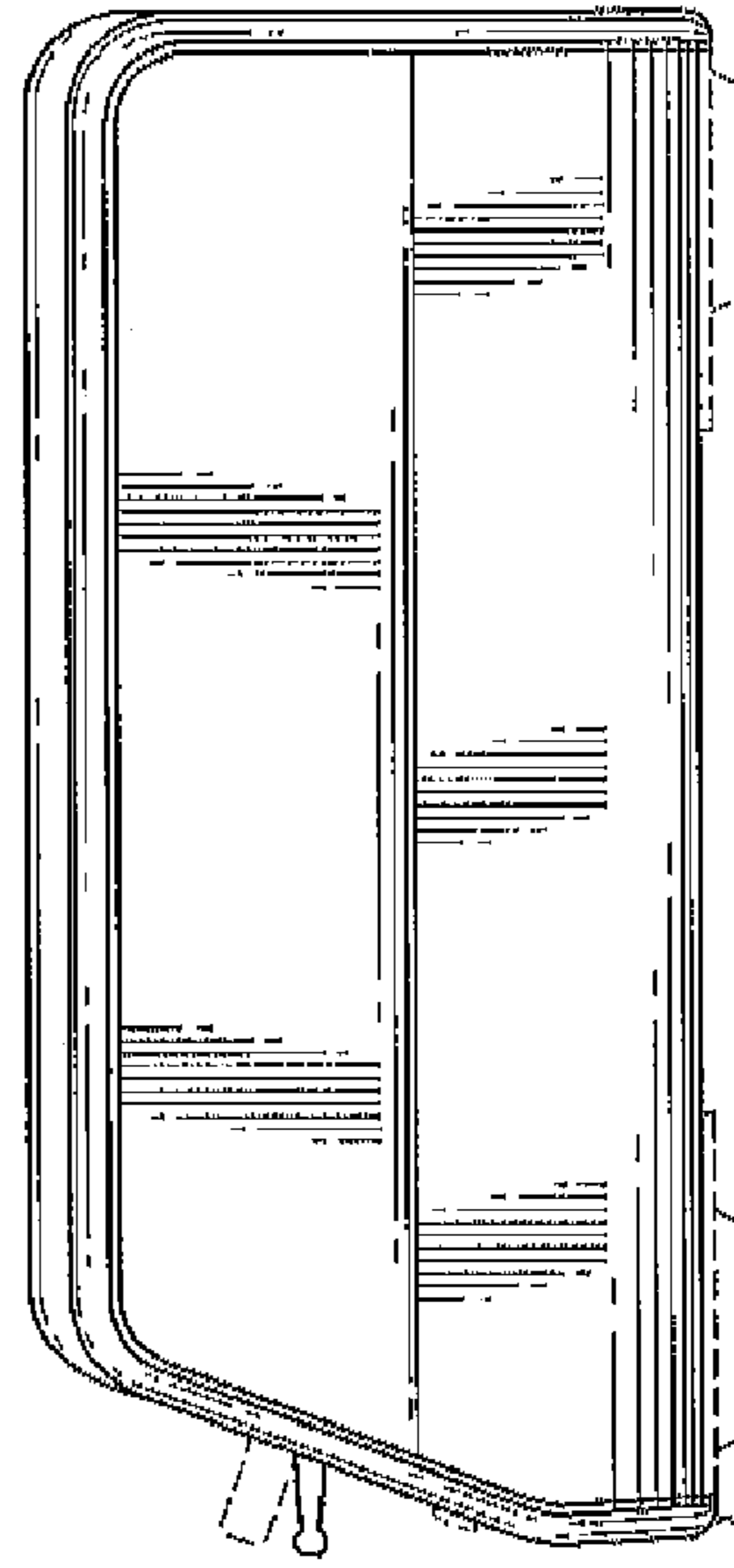
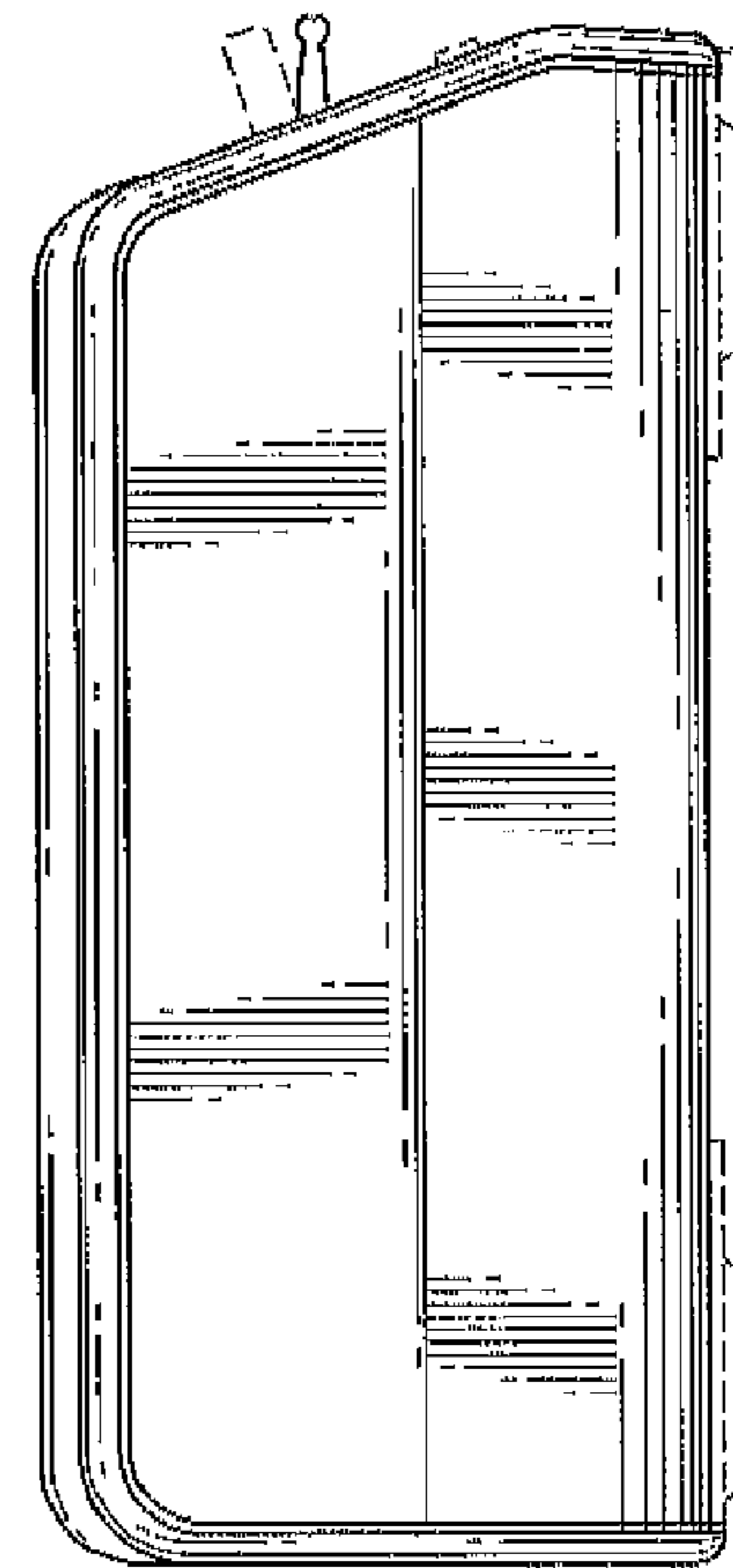


FIG. 4



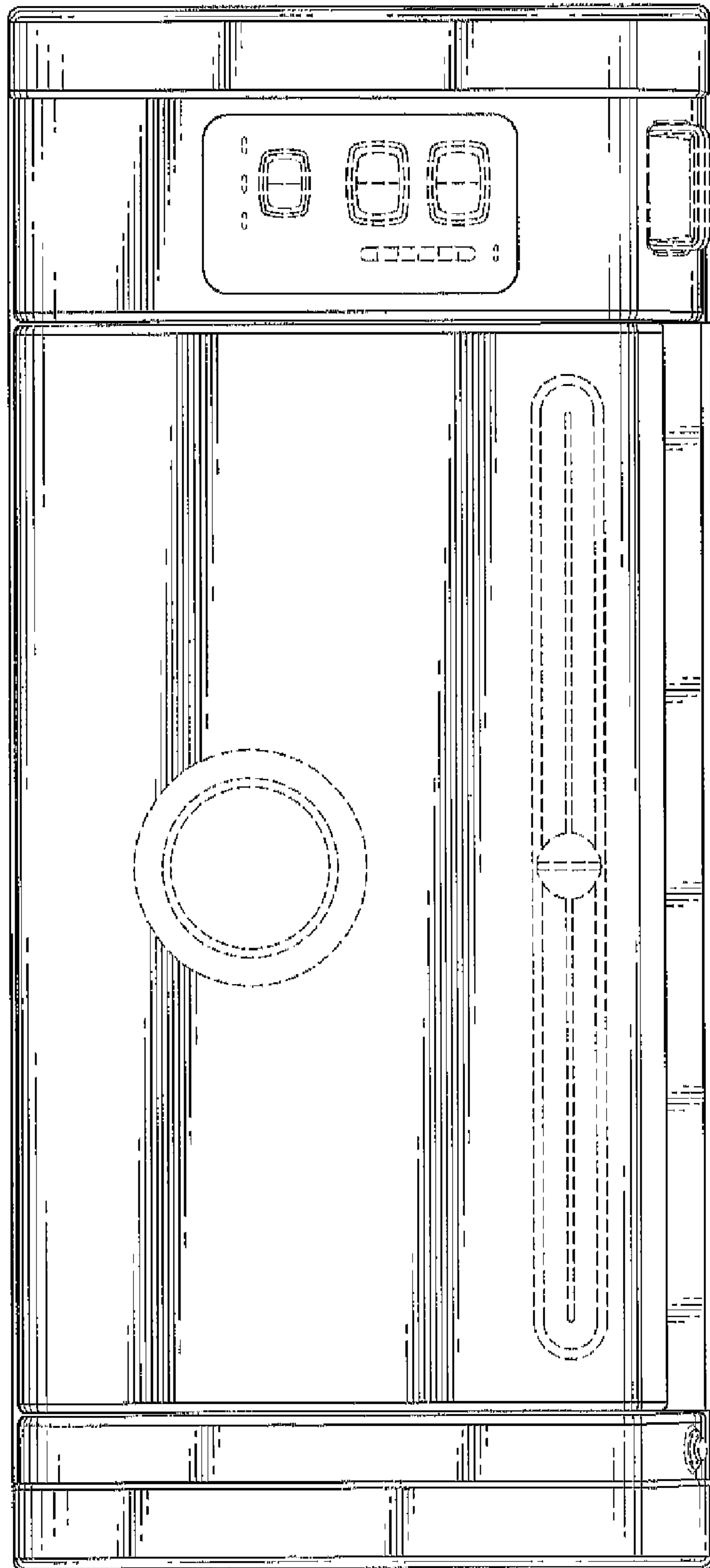


FIG. 6