



US00D658692S

(12) **United States Design Patent**
Suzuki et al.

(10) **Patent No.:** **US D658,692 S**
(45) **Date of Patent:** **** May 1, 2012**

(54) **LINER FOR PLASMA PROCESSING APPARATUS**

(75) Inventors: **Kouki Suzuki**, Nirasaki (JP); **Daisuke Toriya**, Nirasaki (JP); **Koichi Yamazaki**, Nirasaki (JP)

(73) Assignee: **Tokyo Electron Limited**, Tokyo (JP)

(**) Term: **14 Years**

(21) Appl. No.: **29/401,103**

(22) Filed: **Sep. 7, 2011**

(30) **Foreign Application Priority Data**

Mar. 30, 2011 (JP) 2011-007262

(51) **LOC (9) Cl.** **15-09**

(52) **U.S. Cl.** **D15/138**

(58) **Field of Classification Search** D7/501,
D7/553.6, 586, 587, 600.4; D8/70, 74; D9/445,
D9/454, 456; D15/133, 138, 144.1, 199;
118/697, 715, 719; 148/222; 156/345.29,
156/345.33, 345.38, 345.41, 345.42, 345.43,
156/345.46; 205/50; 216/67, 69, 70; 219/121.36,
219/121.43; 423/335; 427/569, 575; 438/439,
438/772, 777, 786

See application file for complete search history.

(56) **References Cited**

U.S. PATENT DOCUMENTS

| | | | | | | |
|-----------|----|---|---------|-----------------|-------|-----------|
| D228,403 | S | * | 9/1973 | Comer | | D15/17 |
| D237,524 | S | * | 11/1975 | Cognata | | D15/17 |
| D259,346 | S | * | 5/1981 | DeHaven | | D15/199 |
| D338,621 | S | * | 8/1993 | Balson | | D9/434 |
| 5,410,992 | A | * | 5/1995 | Hunt et al. | | 123/41.49 |
| D401,252 | S | * | 11/1998 | Tudhope et al. | | D15/138 |
| D403,002 | S | * | 12/1998 | Tudhope et al. | | D15/138 |
| D403,334 | S | * | 12/1998 | Tudhope et al. | | D15/138 |
| D404,370 | S | * | 1/1999 | Kimura | | D13/182 |
| D404,372 | S | * | 1/1999 | Ishii | | D13/182 |
| 6,046,425 | A | * | 4/2000 | Kaji et al. | | 216/13 |
| 6,135,831 | A | * | 10/2000 | Lanni et al. | | 440/49 |
| D442,864 | S | * | 5/2001 | Davies | | D9/454 |
| D449,621 | S | * | 10/2001 | Hamlin | | D15/5 |
| 6,550,484 | B1 | * | 4/2003 | Gopinath et al. | | 134/1.2 |

| | | | | | | |
|--------------|----|---|---------|------------------|-------|------------|
| D489,611 | S | * | 5/2004 | Monsanty | | D9/435 |
| D490,450 | S | * | 5/2004 | Hayashi et al. | | D15/199 |
| D491,963 | S | * | 6/2004 | Doba | | D15/144 |
| D498,826 | S | * | 11/2004 | Takahiro et al. | | D23/269 |
| D510,585 | S | * | 10/2005 | Robinson | | D15/138 |
| D525,127 | S | * | 7/2006 | Cogley et al. | | D9/456 |
| D532,095 | S | * | 11/2006 | Calkins | | D23/370 |
| D556,704 | S | * | 12/2007 | Nakamura et al. | | D13/182 |
| D557,226 | S | * | 12/2007 | Uchino et al. | | D13/182 |
| D557,425 | S | * | 12/2007 | Nakamura et al. | | D24/232 |
| D559,994 | S | * | 1/2008 | Nagakubo et al. | | D24/232 |
| D593,585 | S | * | 6/2009 | Ota et al. | | D15/138 |
| D605,206 | S | * | 12/2009 | Yabe et al. | | D15/28 |
| D610,176 | S | * | 2/2010 | Nagamine et al. | | D15/138 |
| D616,390 | S | * | 5/2010 | Sato | | D13/182 |
| D638,951 | S | * | 5/2011 | Bedingham et al. | | D24/216 |
| D645,486 | S | * | 9/2011 | Yoshikawa et al. | | D15/138 |
| 2001/0007302 | A1 | * | 7/2001 | Hong | | 204/192.12 |
| 2005/0150452 | A1 | * | 7/2005 | Sen et al. | | 118/715 |
| 2005/0224179 | A1 | * | 10/2005 | Moon et al. | | 156/345.29 |
| 2006/0272800 | A1 | * | 12/2006 | Wong et al. | | 165/120 |
| 2007/0283887 | A1 | * | 12/2007 | Tian et al. | | 118/723 AN |
| 2008/0142159 | A1 | * | 6/2008 | Sasaki | | 156/345.41 |
| 2009/0250443 | A1 | * | 10/2009 | Kim | | 219/121.36 |

* cited by examiner

Primary Examiner — Patricia Palasik

(74) *Attorney, Agent, or Firm* — Oblon, Spivak, McClelland, Maier & Neustadt, L.L.P.

(57) **CLAIM**

The ornamental design for a liner for plasma processing apparatus, as shown and described.

DESCRIPTION

FIG. 1 is a front view of a liner for plasma processing apparatus showing our new design;
FIG. 2 is a rear view thereof;
FIG. 3 is a top plan view thereof;
FIG. 4 is a bottom plan view thereof;
FIG. 5 is a right side view thereof;
FIG. 6 is a left side view thereof;
FIG. 7 is a sectional view taken along line 7-7 of FIG. 3 thereof; and,
FIG. 8 is a perspective view thereof.

1 Claim, 3 Drawing Sheets

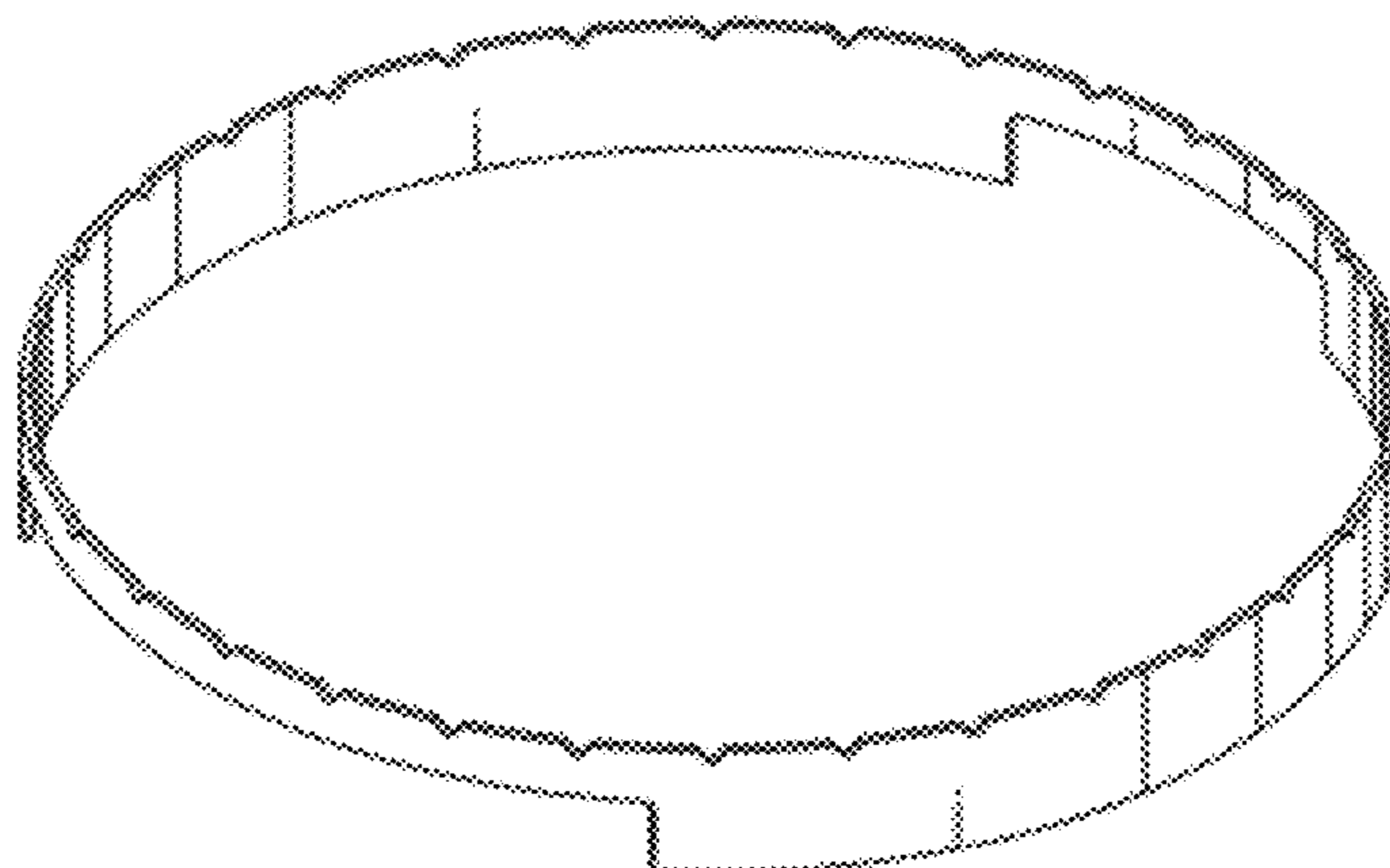


FIG.1

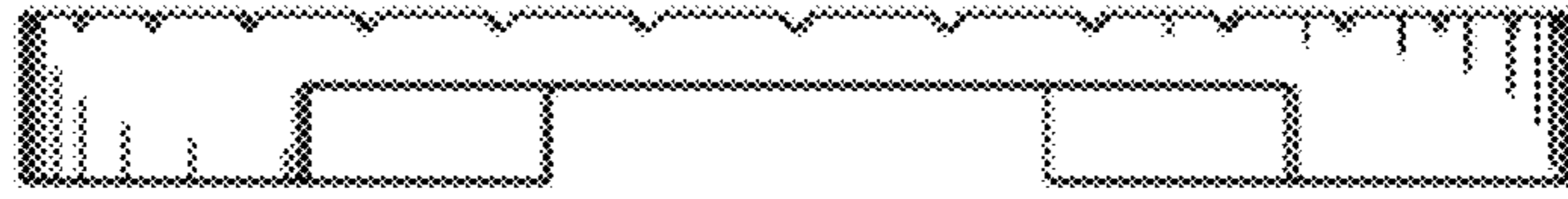


FIG.2

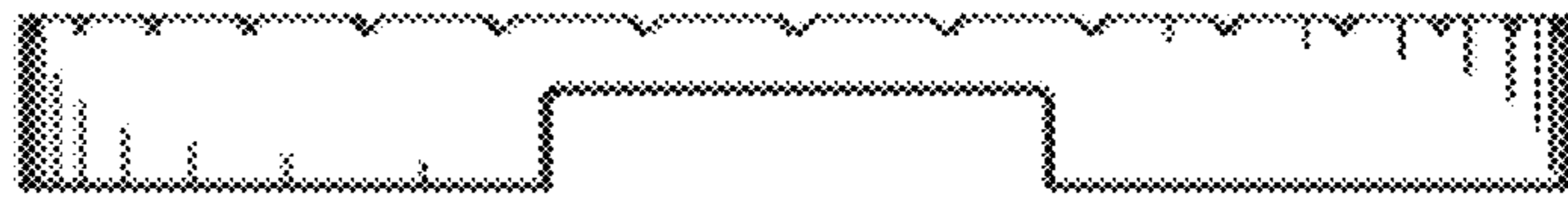


FIG.3

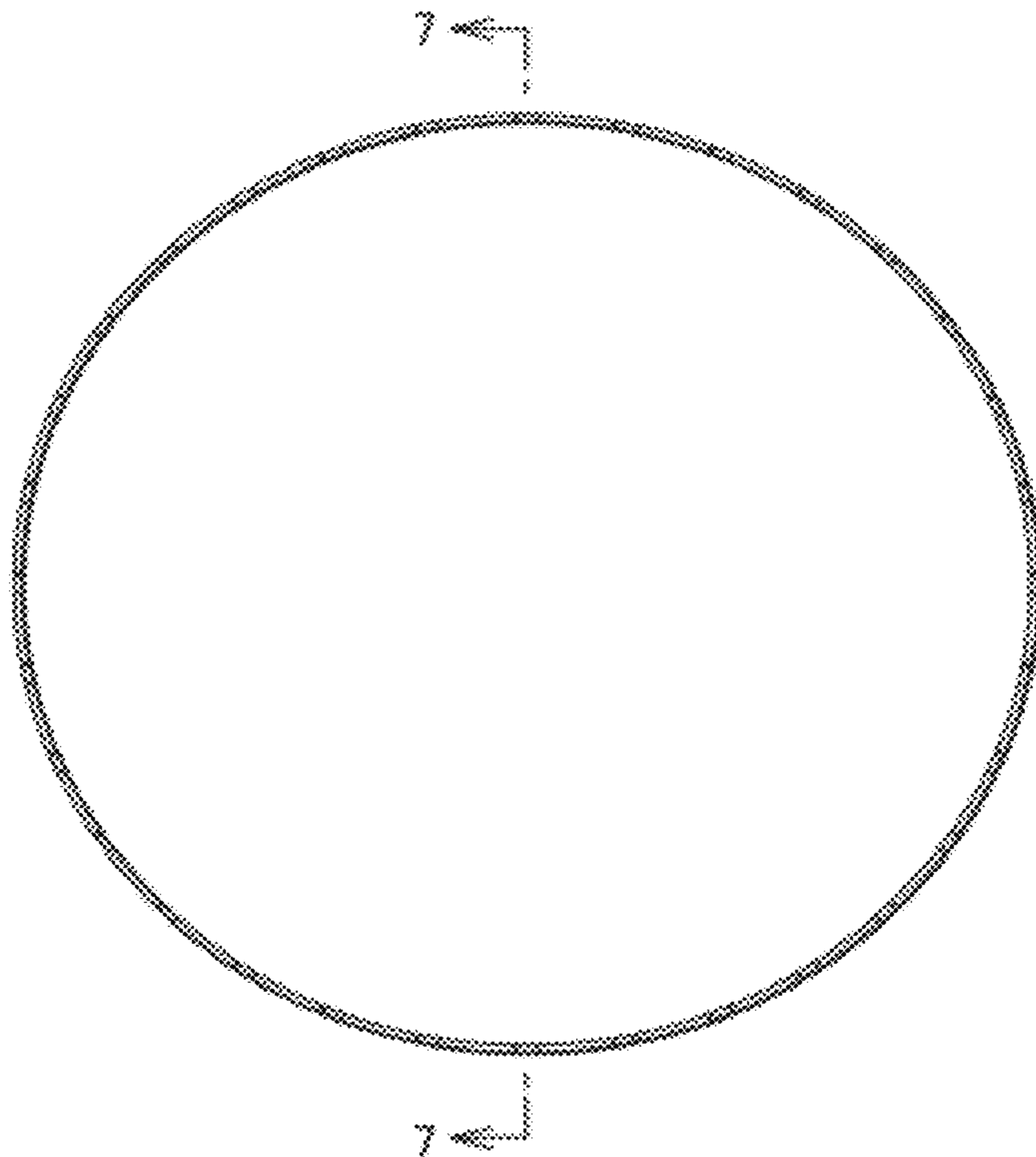


FIG.4

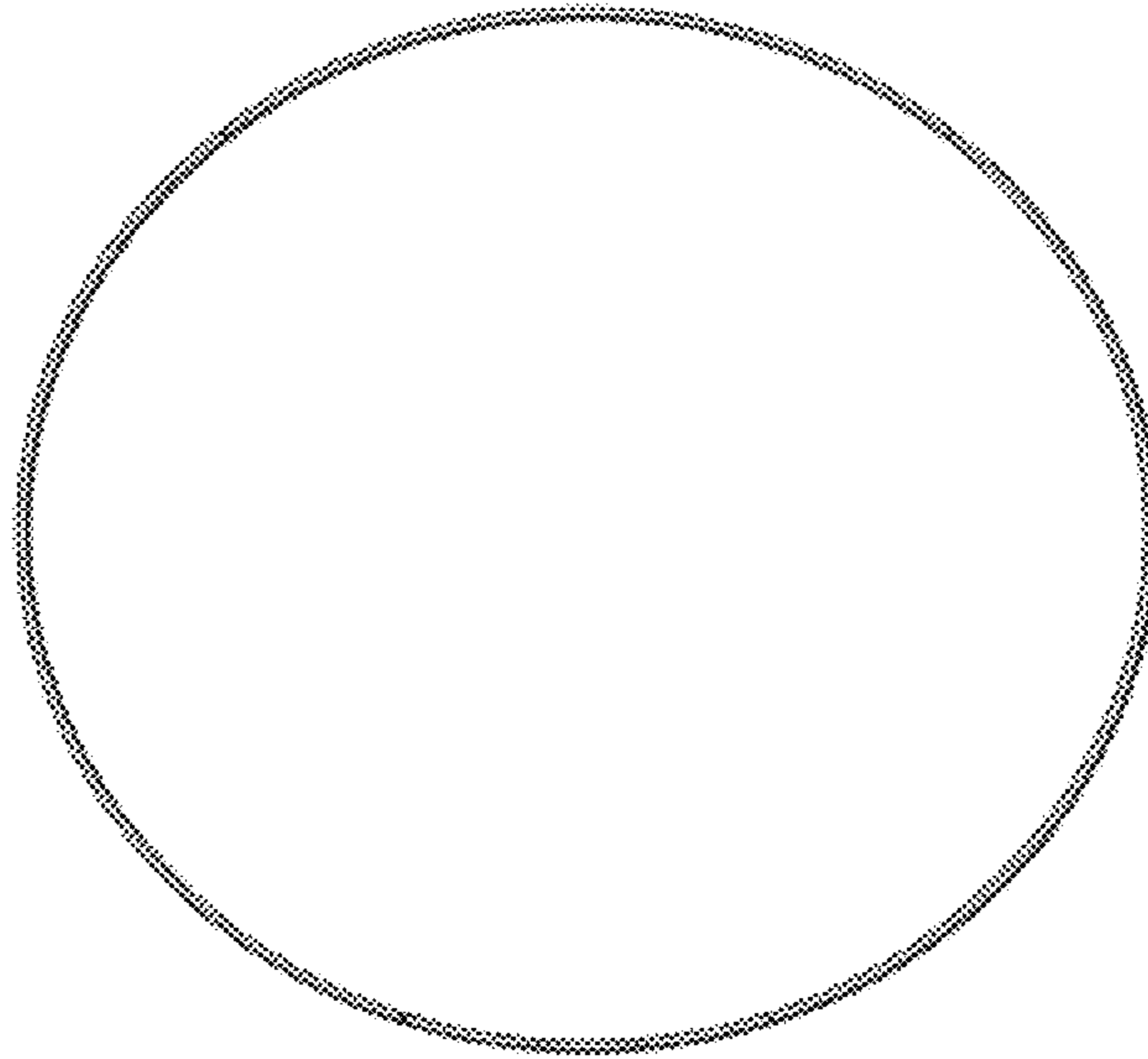


FIG.5



FIG.6



FIG.7



FIG. 8

