



US00D658688S

(12) **United States Design Patent**
Chiang

(10) **Patent No.:** **US D658,688 S**

(45) **Date of Patent:** **** May 1, 2012**

(54) **PUNCHING MACHINE**

(75) Inventor: **Chou-Chih Chiang**, Taichung (TW)

(73) Assignee: **Innostar Technology Pte Ltd**, Hume (SG)

(**) Term: **14 Years**

(21) Appl. No.: **29/401,465**

(22) Filed: **Sep. 12, 2011**

(51) **LOC (9) Cl.** **15-09**

(52) **U.S. Cl.** **D15/128**

(58) **Field of Classification Search** D6/167,
D6/168; D15/122, 124, 127, 128, 130, 131;
D18/50, 55, 56; 29/26 A, 26 R, 30, 33 A-33 T,
29/34 R, 39, 50, 563-566, 564.1-564.8;
30/361-367; 72/446; 83/76.1, 227, 522,
83/559, 563, 859; 312/196, 272.5; 483/29
See application file for complete search history.

(56) **References Cited**

U.S. PATENT DOCUMENTS

2,911,045 A * 11/1959 Wright 234/87
D200,803 S * 4/1965 Stefano D15/128
D203,626 S * 2/1966 Donald D15/128
D208,584 S * 9/1967 Susskind D15/128

3,874,262 A * 4/1975 Cailloux 83/549
D255,237 S * 6/1980 Frick D14/440
D626,588 S * 11/2010 Kim et al. D18/39
D645,502 S * 9/2011 Amemiya et al. D18/55
D647,133 S * 10/2011 Sato et al. D18/55
D647,958 S * 11/2011 Yoshioka et al. D18/50
2009/0095046 A1* 4/2009 Bytow 72/466.7
2011/0132164 A1* 6/2011 Barandiaran Echeguia 83/145

* cited by examiner

Primary Examiner — Patricia Palasik

(74) *Attorney, Agent, or Firm* — Chun-Ming Shih

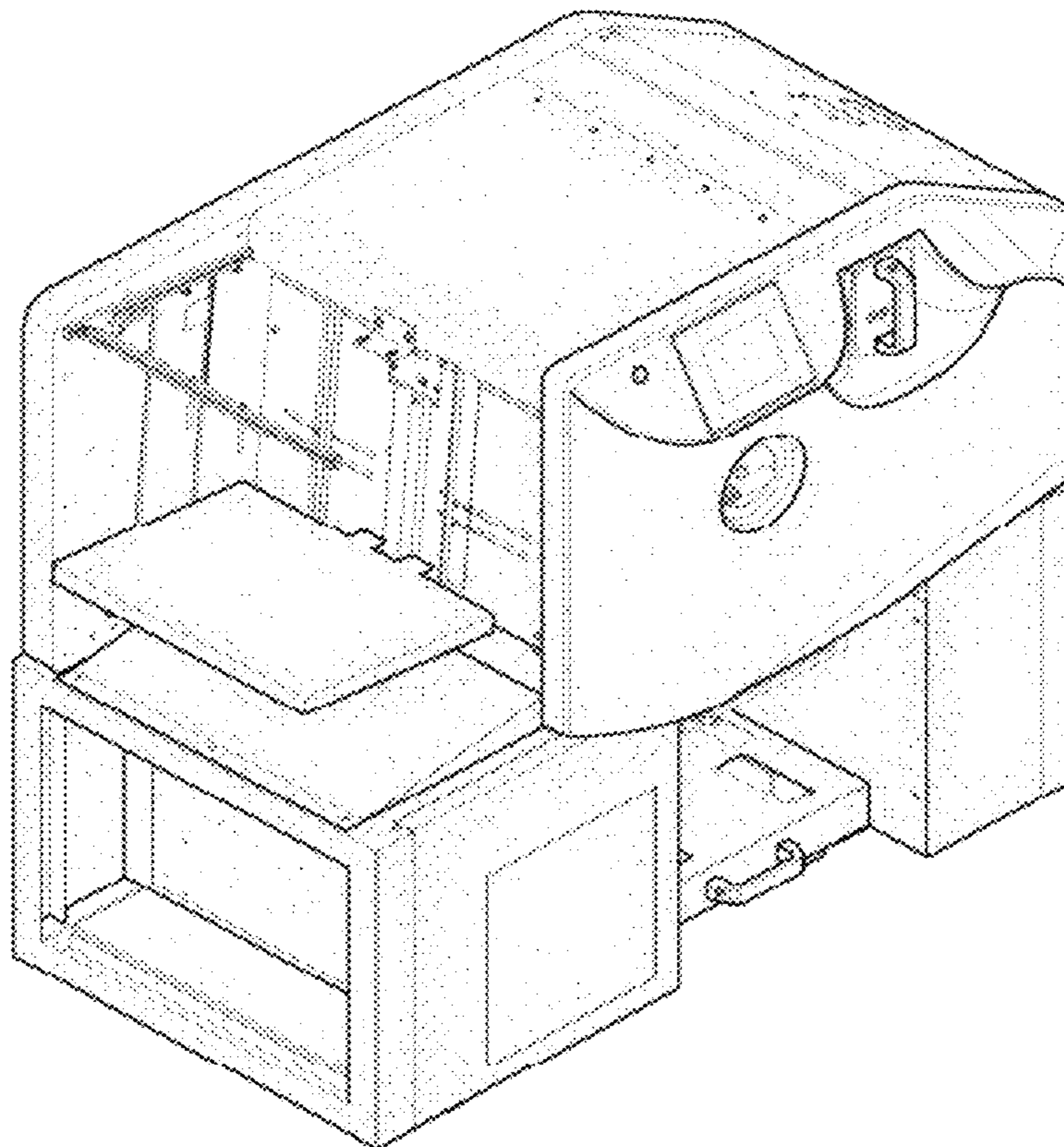
(57) **CLAIM**

The ornamental design for a punching machine, as shown.

DESCRIPTION

FIG. 1 is a front left perspective view of a punching machine showing my new design;
FIG. 2 is a front perspective view thereof;
FIG. 3 is a rear perspective view thereof;
FIG. 4 is a left side elevation view thereof;
FIG. 5 is a right side elevation view thereof;
FIG. 6 is a top plan view thereof;
FIG. 7 is a bottom side elevation view thereof;
FIG. 8 is a front right perspective view thereof;
FIG. 9 is a back left perspective view thereof; and,
FIG. 10 is a back right perspective view thereof.
The broken lines in the drawings depict unclaimed environmental subject matter.

1 Claim, 10 Drawing Sheets



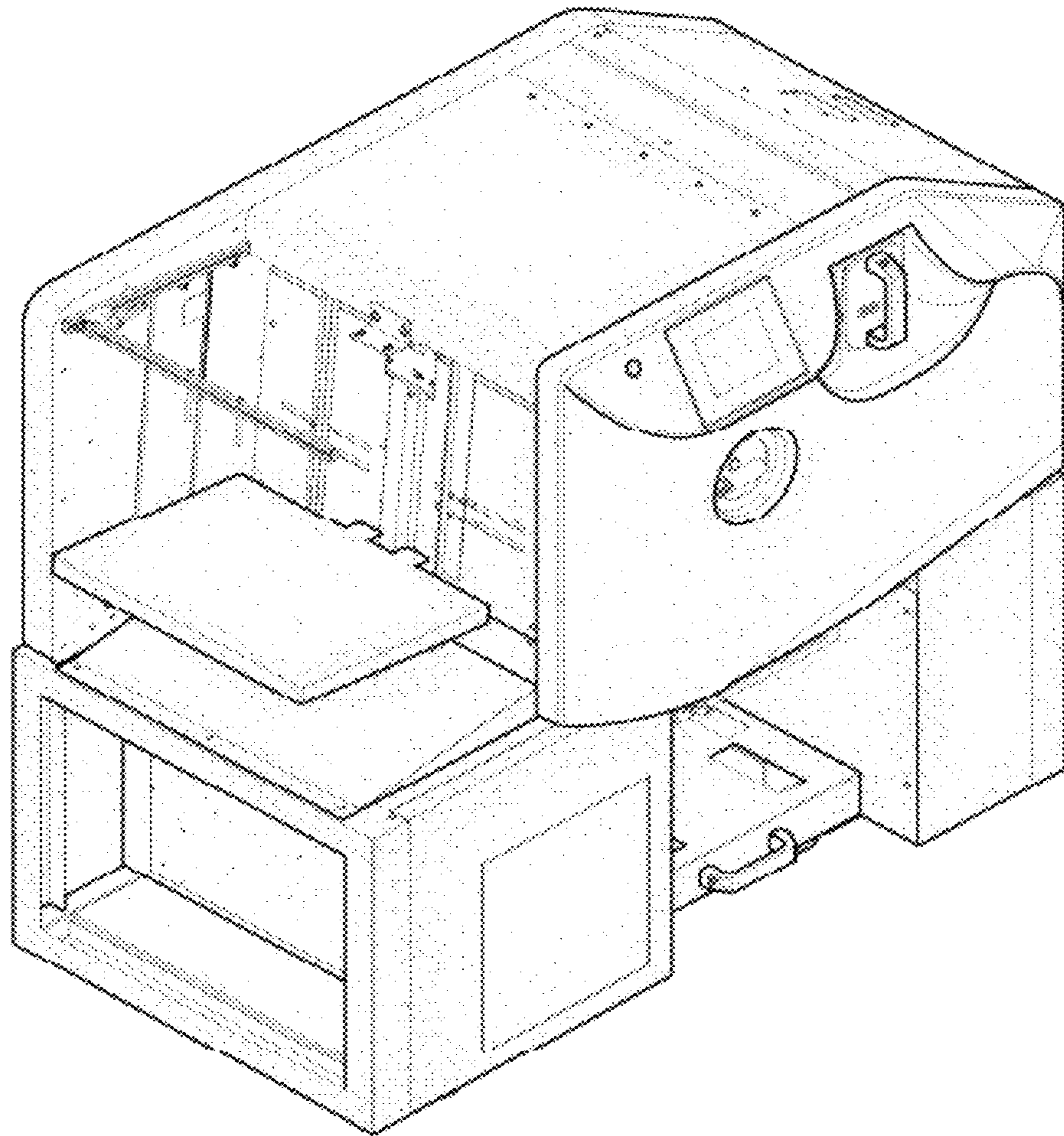


Fig. 1

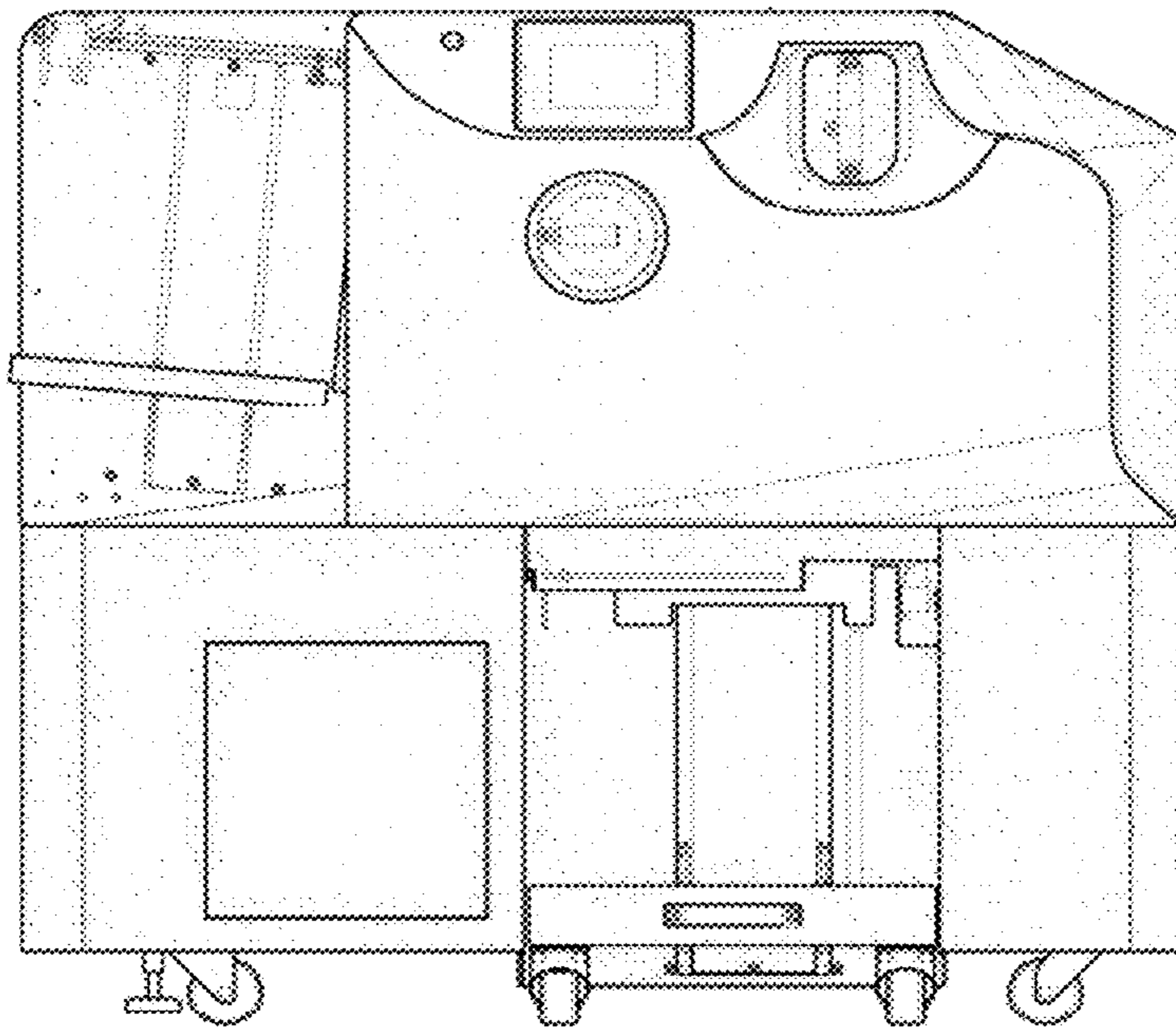


Fig. 2

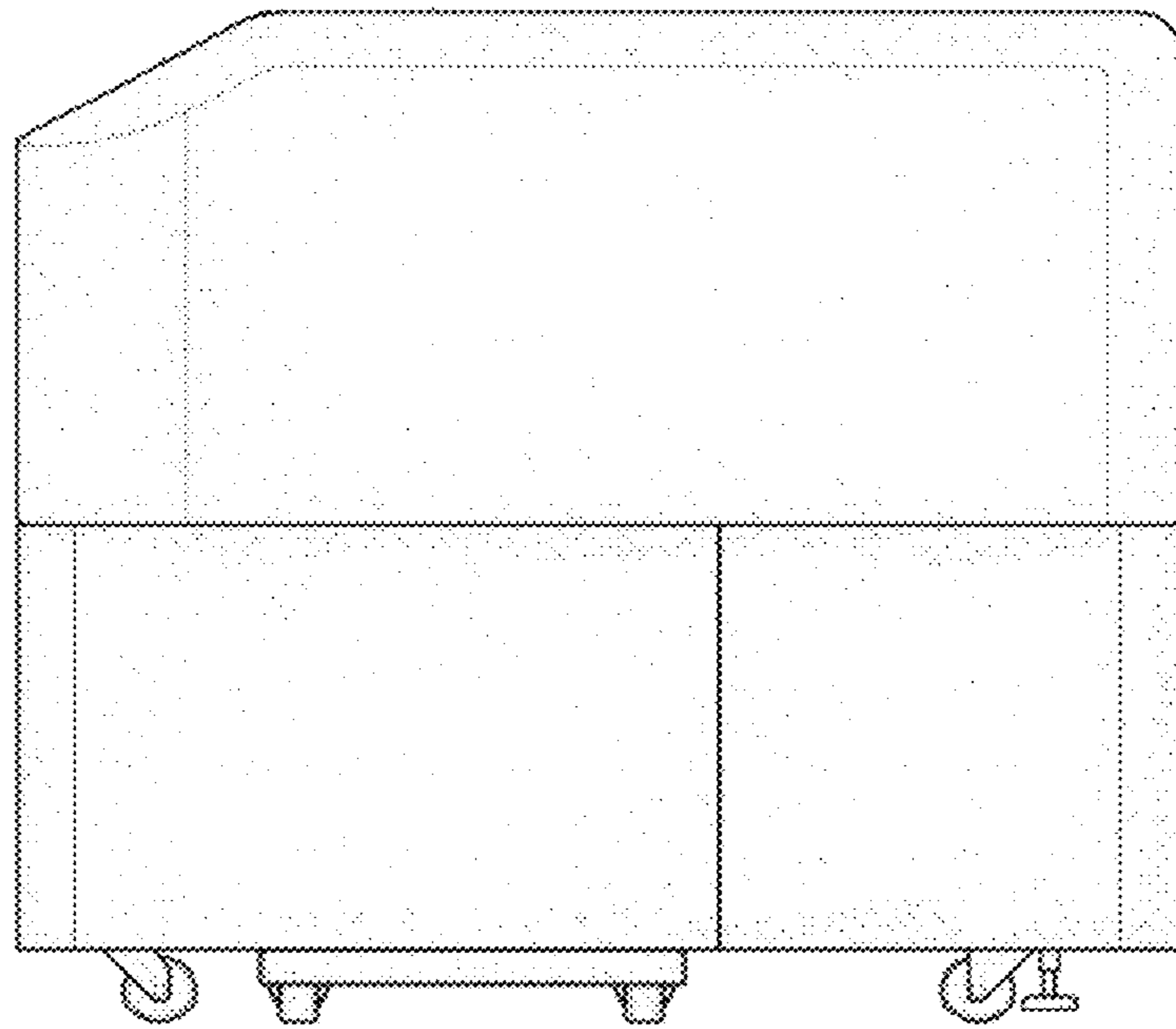


Fig. 3

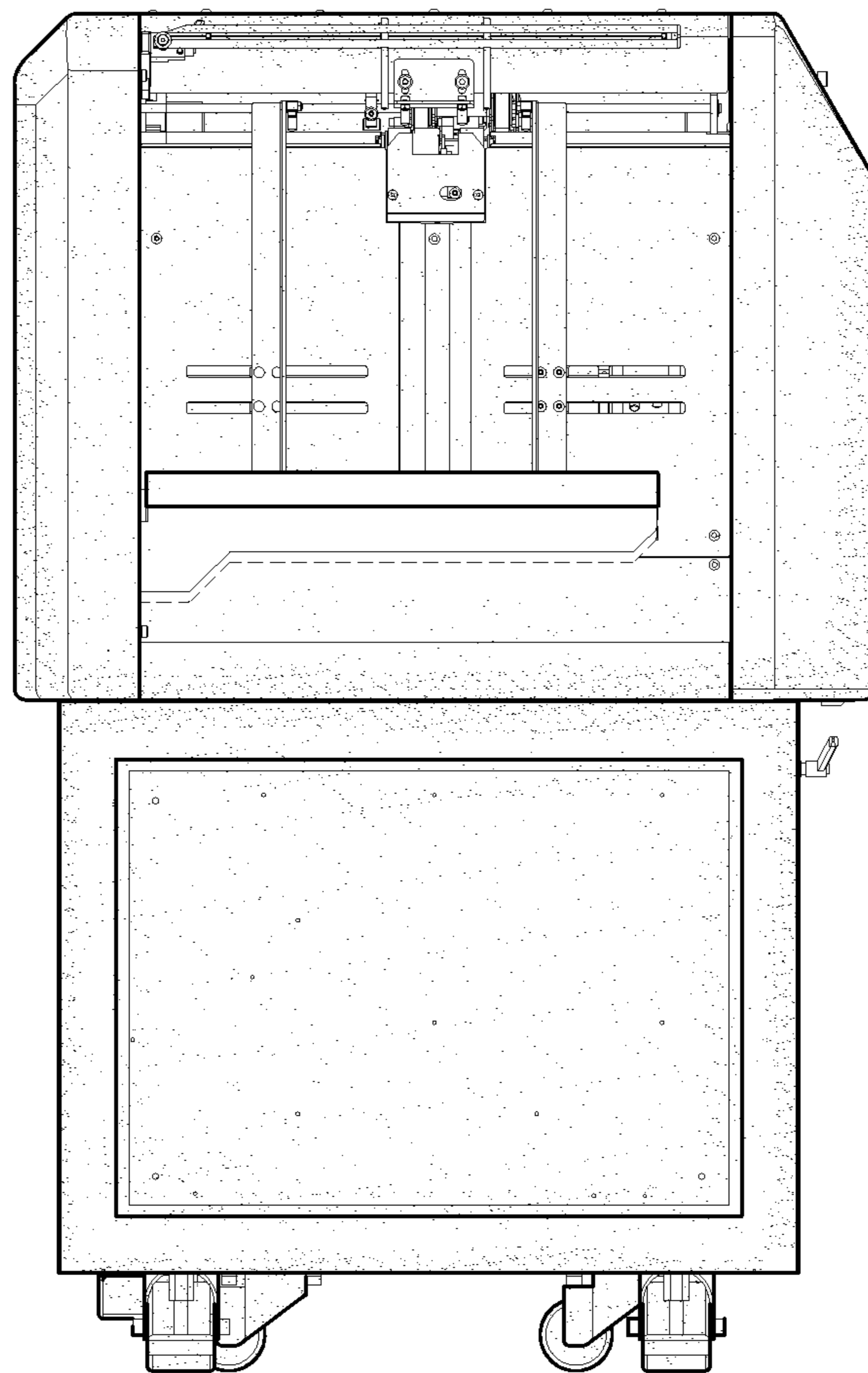


Fig. 4

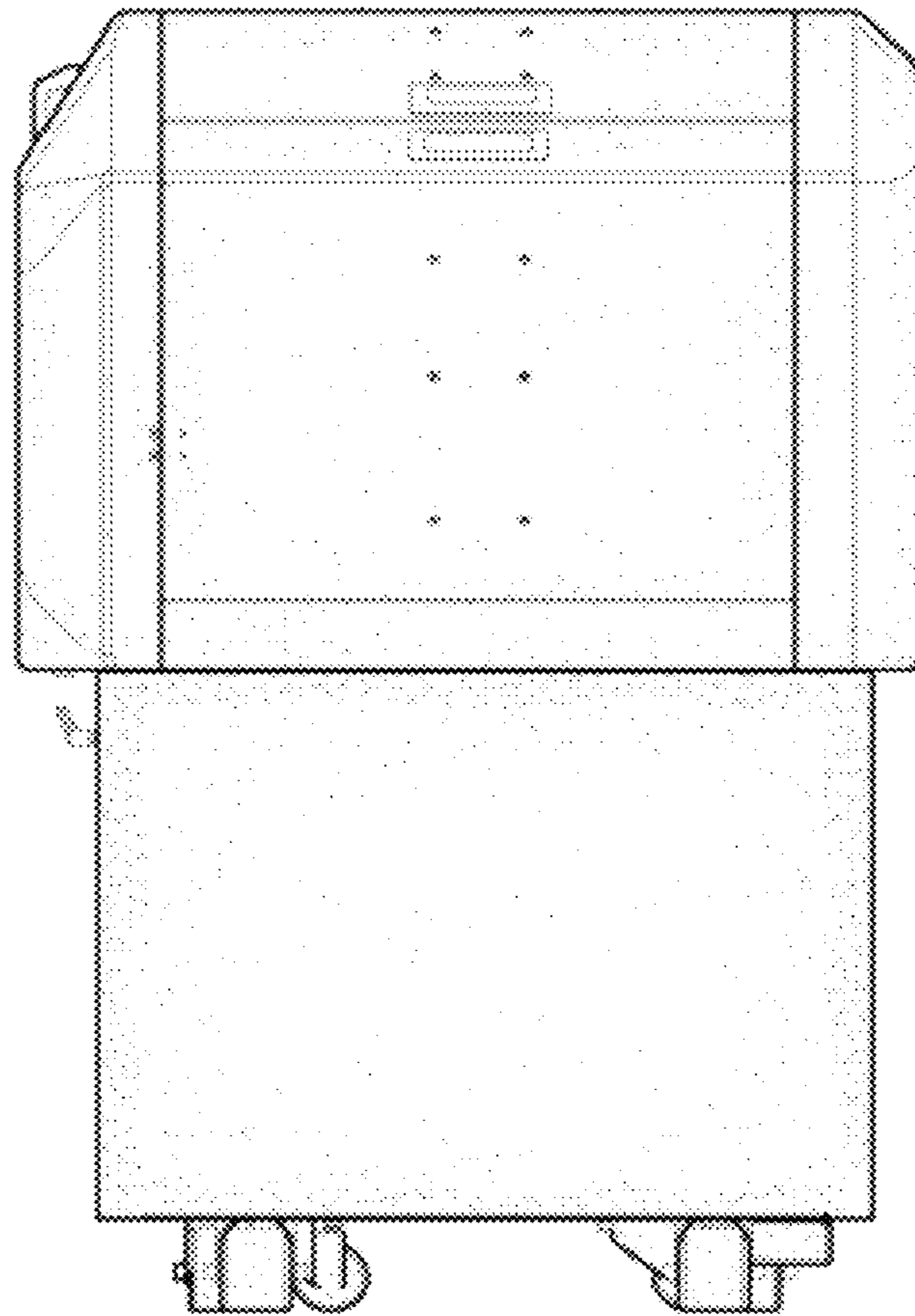


Fig. 5

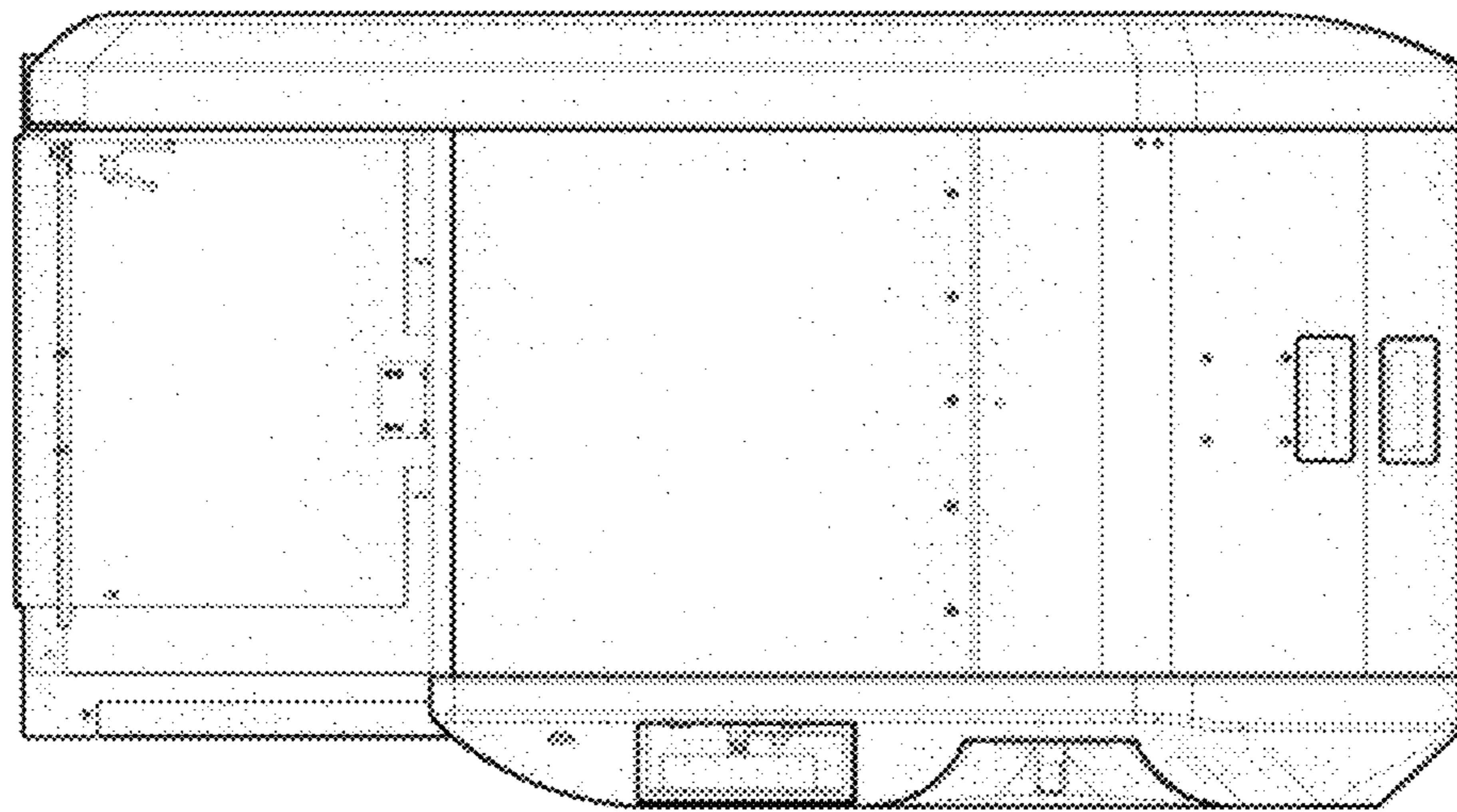


Fig. 6

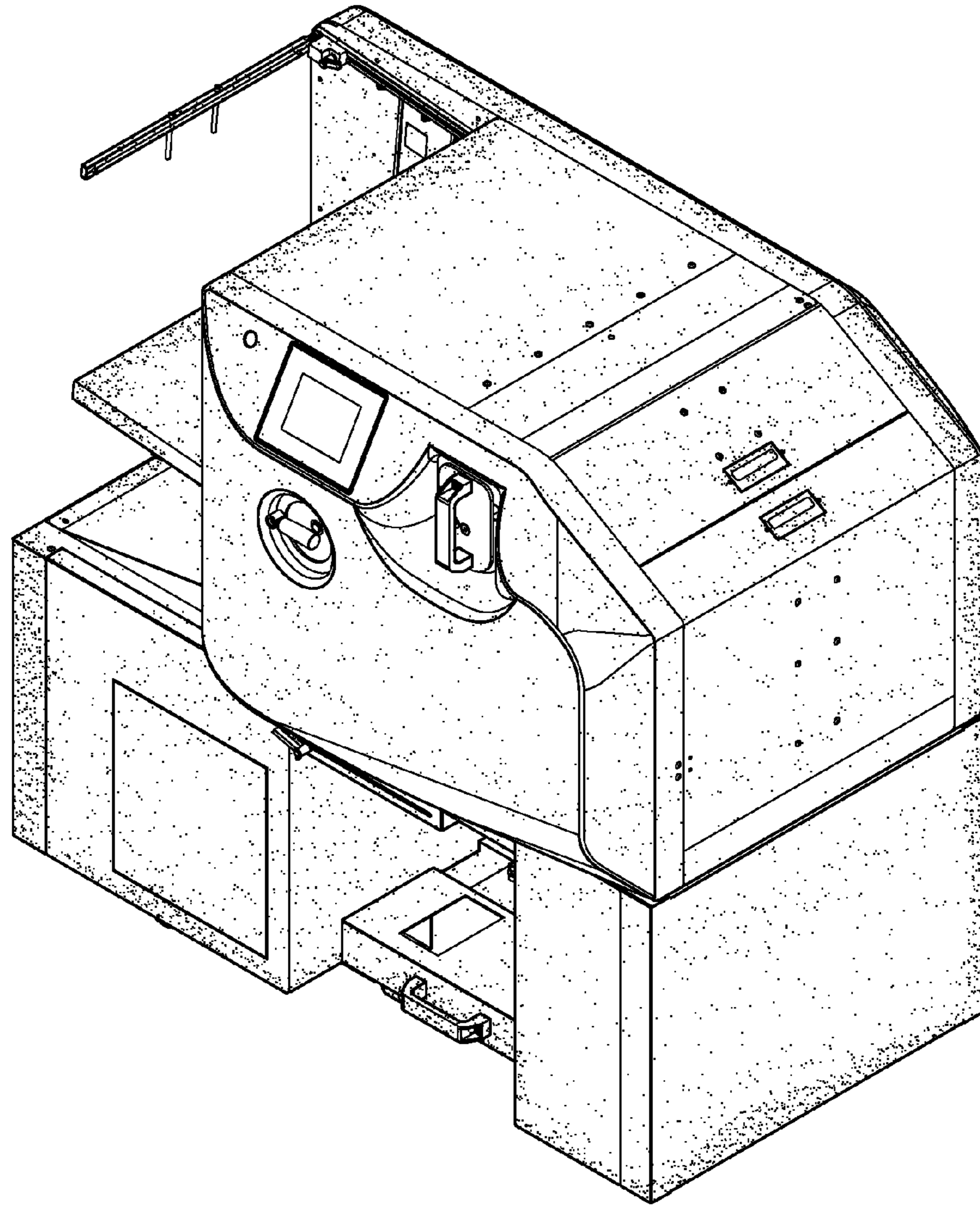


Fig. 7

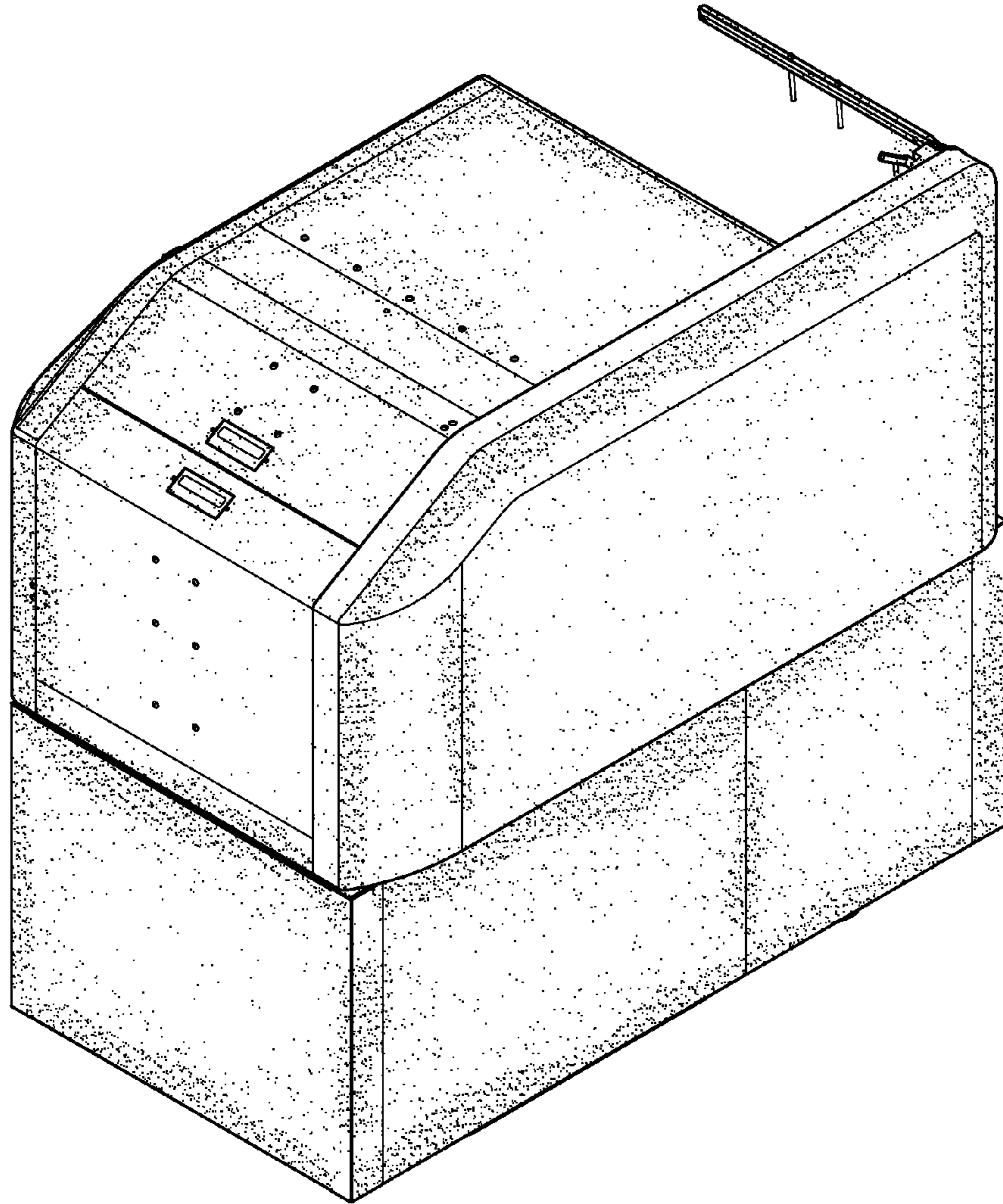


Fig. 8

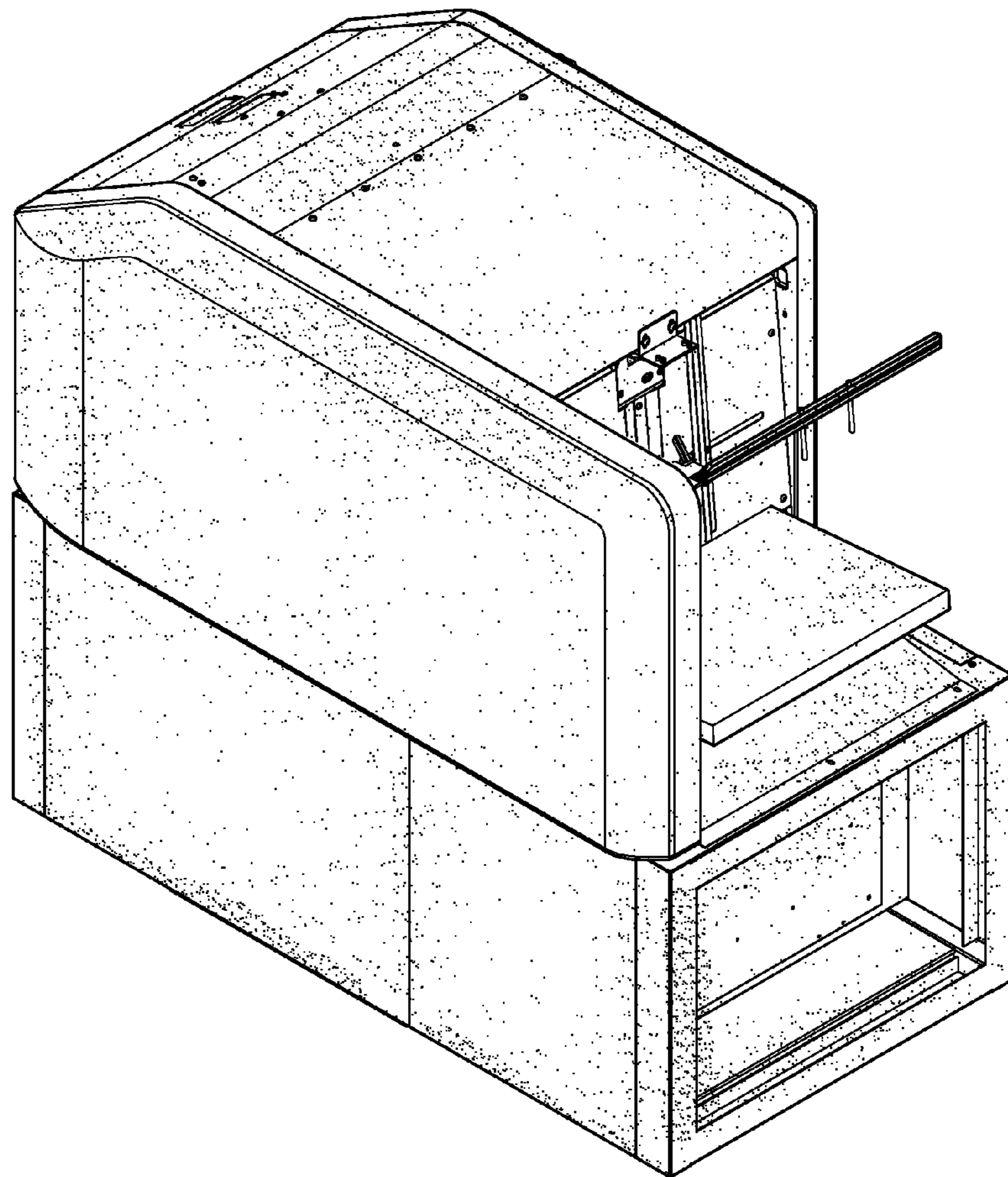


Fig. 9

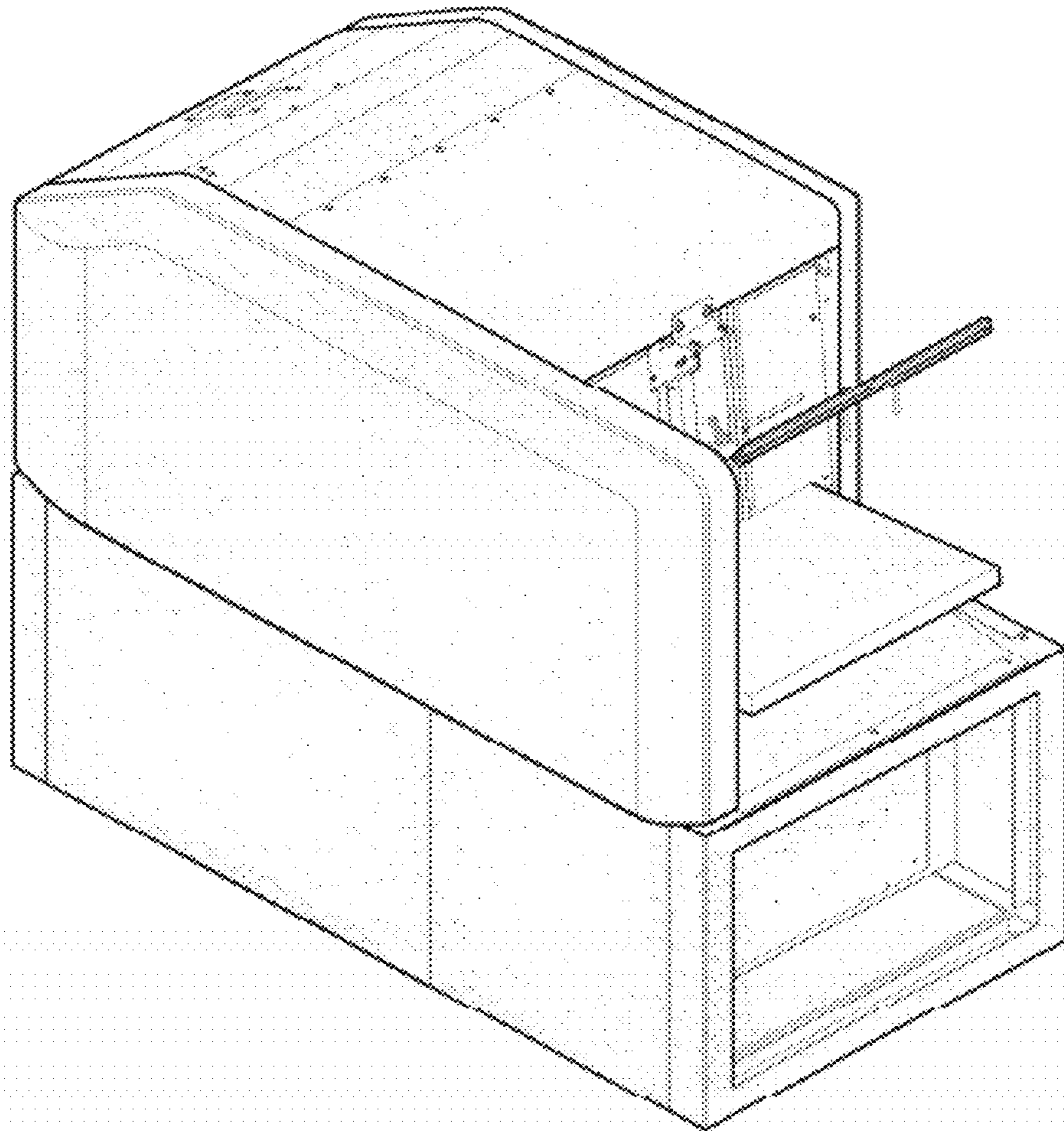


Fig. 10