



US00D658687S

(12) **United States Design Patent**
Theissen

(10) **Patent No.:** **US D658,687 S**

(45) **Date of Patent:** **** May 1, 2012**

(54) **MEASURING INSTRUMENT FOR THE CALIBRATION OF TORQUE WRENCHES**

(75) Inventor: **Marco Theissen**, Odenthal (DE)

(73) Assignee: **Eduard Wille GmbH & Co. KG** (DE)

(**) Term: **14 Years**

(21) Appl. No.: **29/377,880**

(22) Filed: **Oct. 27, 2010**

(30) **Foreign Application Priority Data**

Apr. 30, 2010 (EM) 001211932

(51) **LOC (9) Cl.** **15-09**

(52) **U.S. Cl.** **D15/122; D15/199**

(58) **Field of Classification Search** D10/46;
D15/122, 199; 73/862.21; 702/41

See application file for complete search history.

(56) **References Cited**

U.S. PATENT DOCUMENTS

2009/0217773 A1* 9/2009 Schwafertz et al. 73/862.21
2009/0222222 A1* 9/2009 Lucke 702/41
* cited by examiner

Primary Examiner — Antoine D Davis

(74) *Attorney, Agent, or Firm* — Kelly & Kelley, LLP

(57) **CLAIM**

The ornamental design for a measuring instrument for the calibration of torque wrenches, as shown.

DESCRIPTION

FIG. 1 is a top, front and right-side perspective view of a measuring instrument for the calibration of torque wrenches embodying my new design;

FIG. 2 is a front elevational view thereof;

FIG. 3 is a rear elevational view thereof;

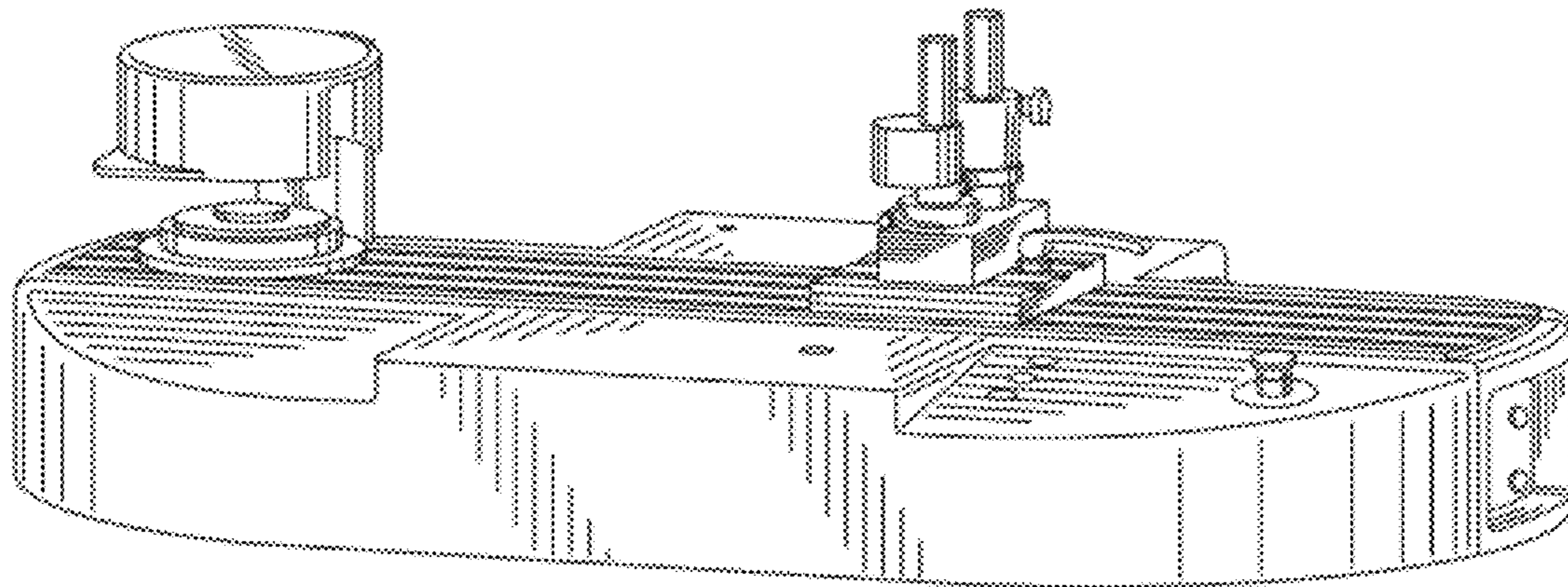
FIG. 4 is a right-side elevational view thereof;

FIG. 5 is a left-side elevational view thereof;

FIG. 6 is a top plan view thereof; and,

FIG. 7 is a bottom plan view thereof.

1 Claim, 3 Drawing Sheets



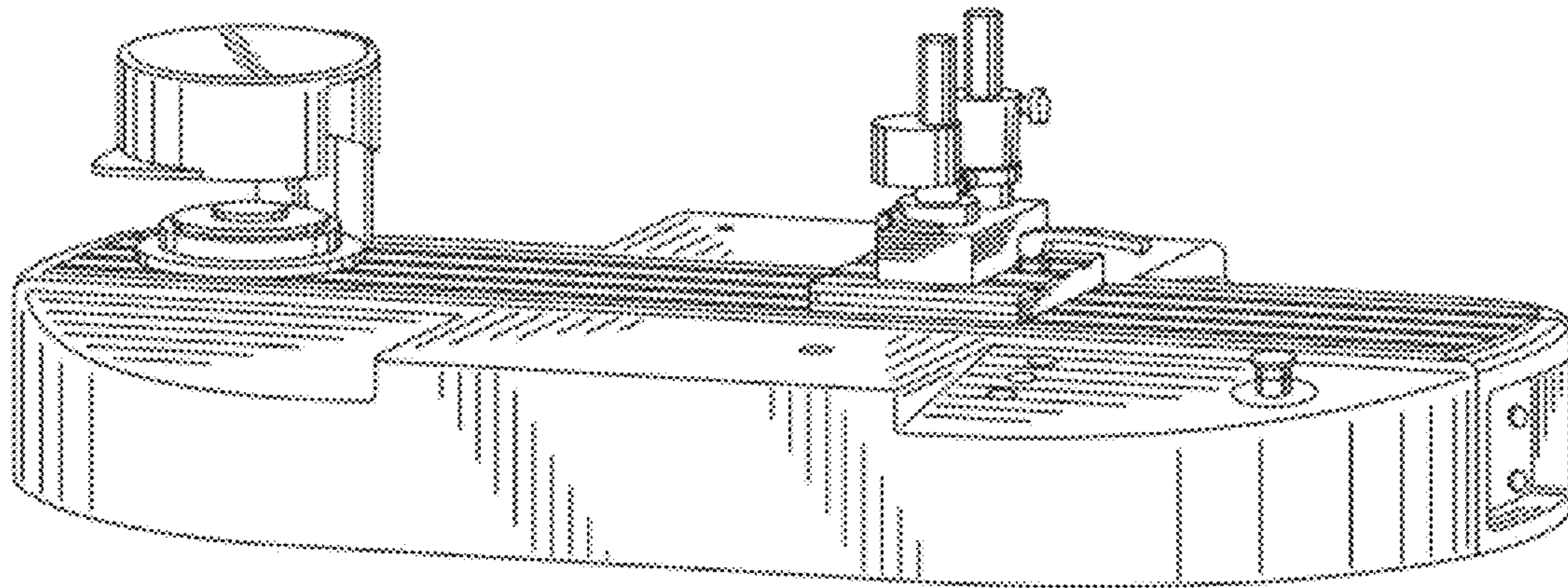


FIG. 1

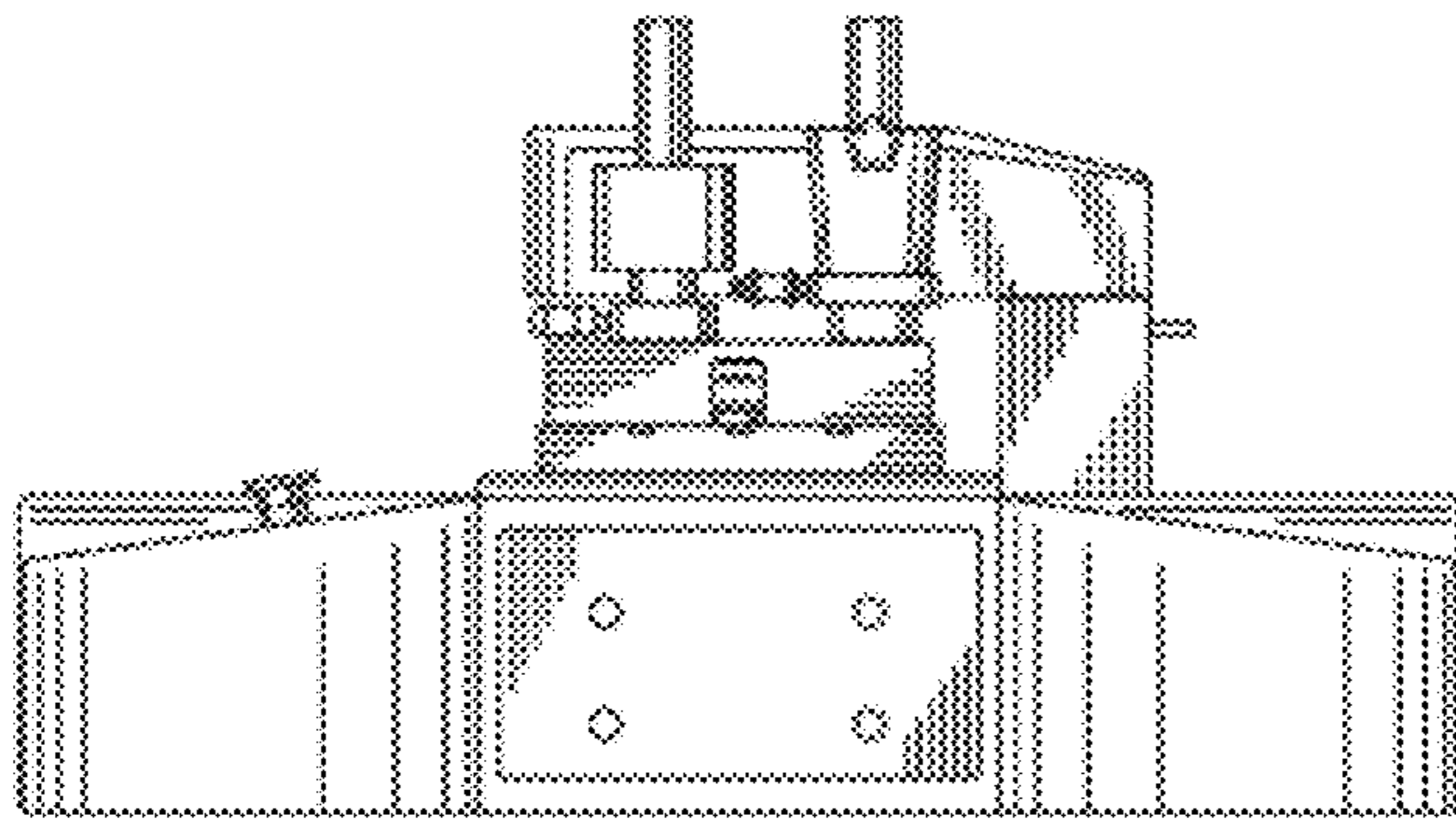


FIG. 2

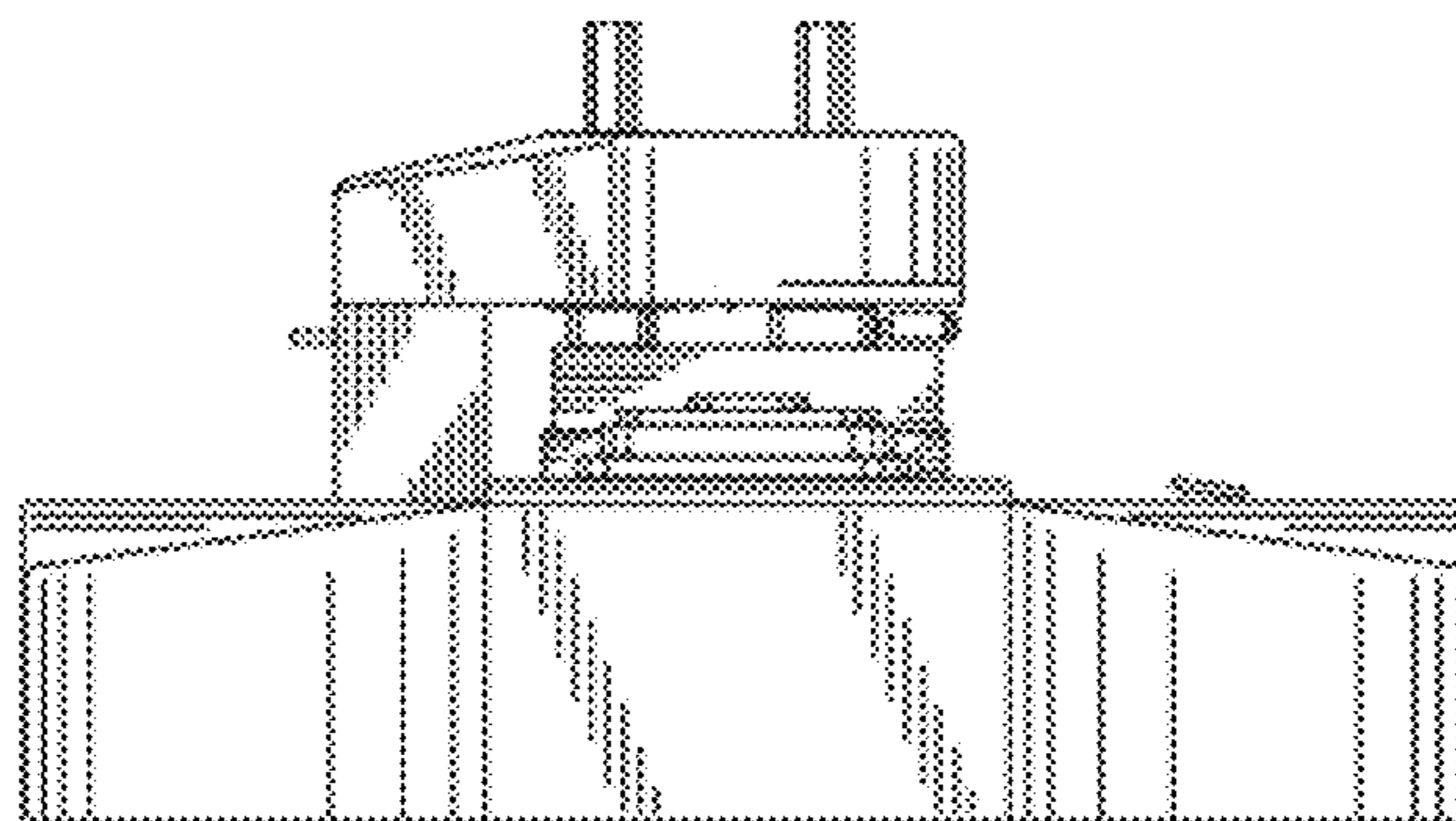


FIG. 3

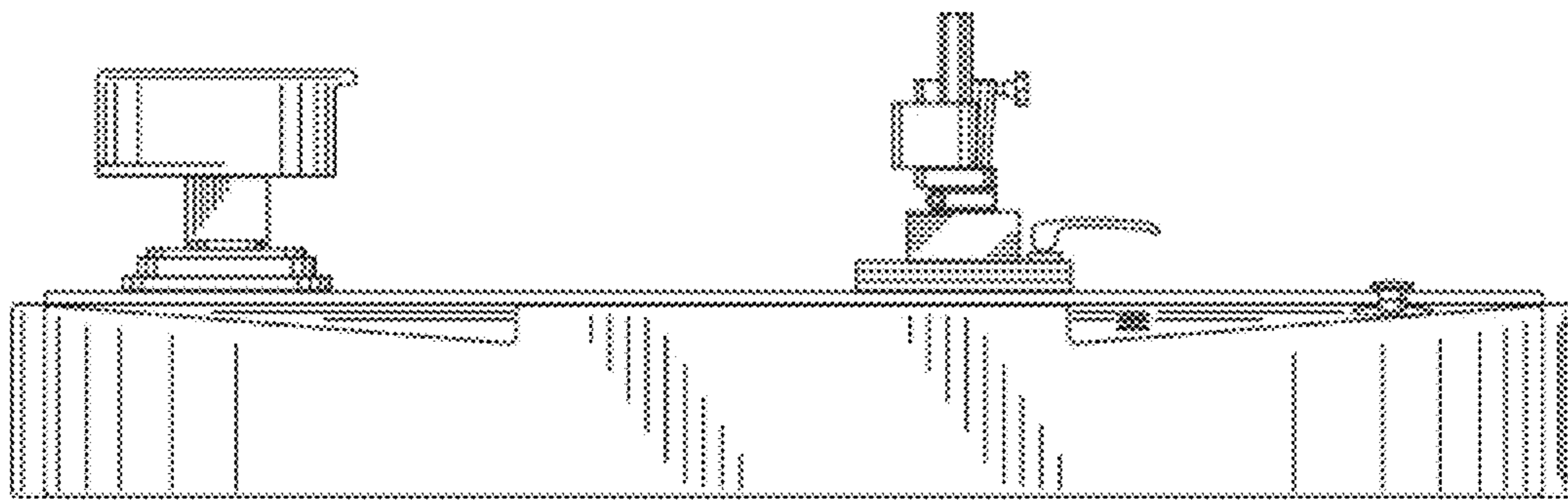


FIG. 4

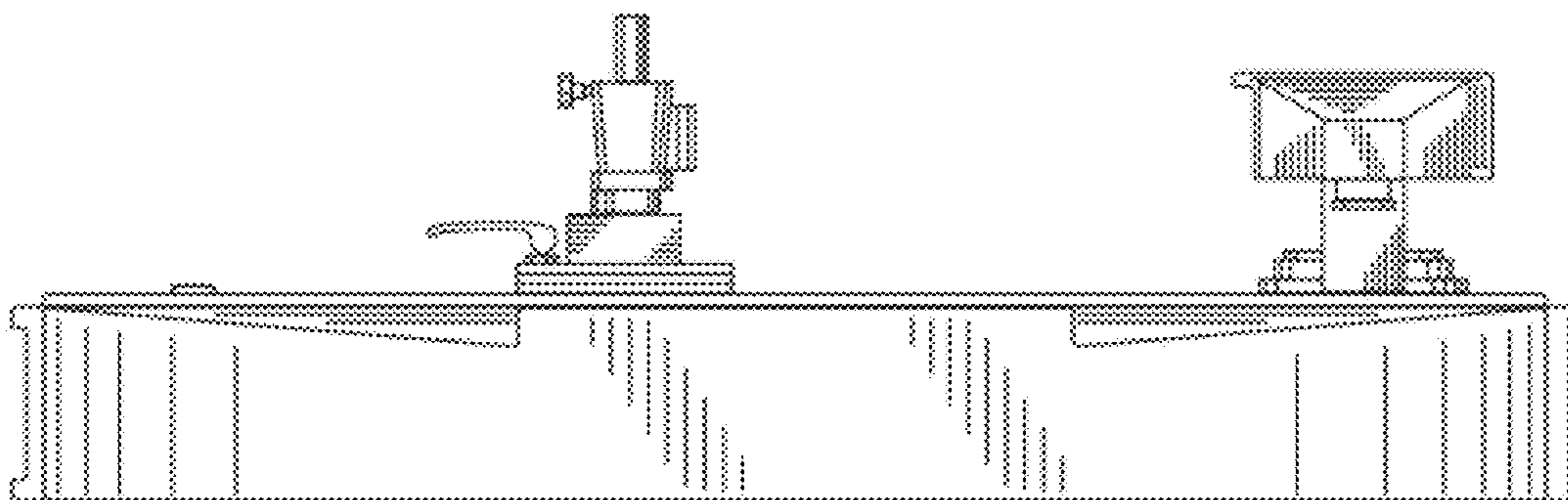


FIG. 5

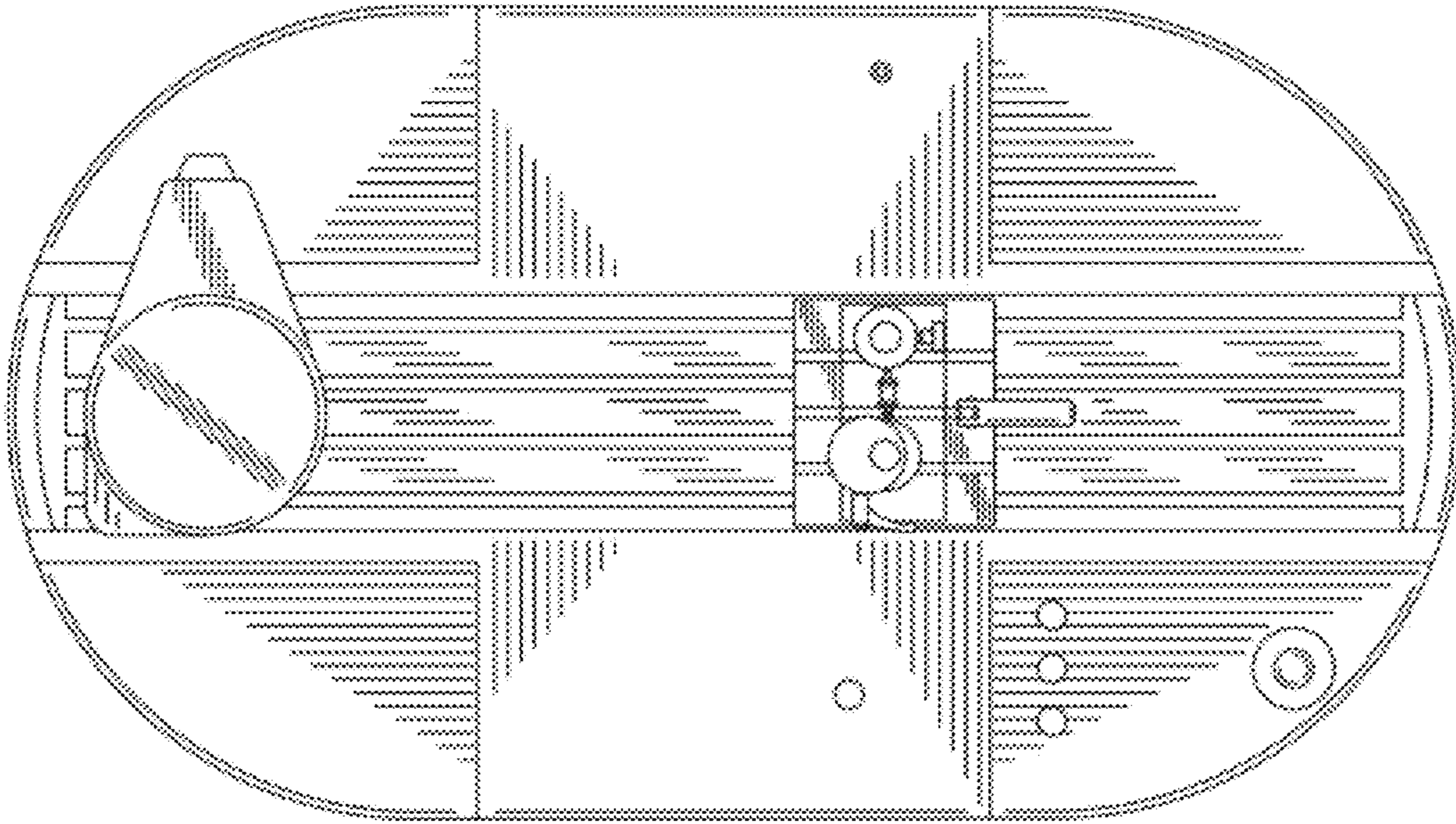


FIG. 6

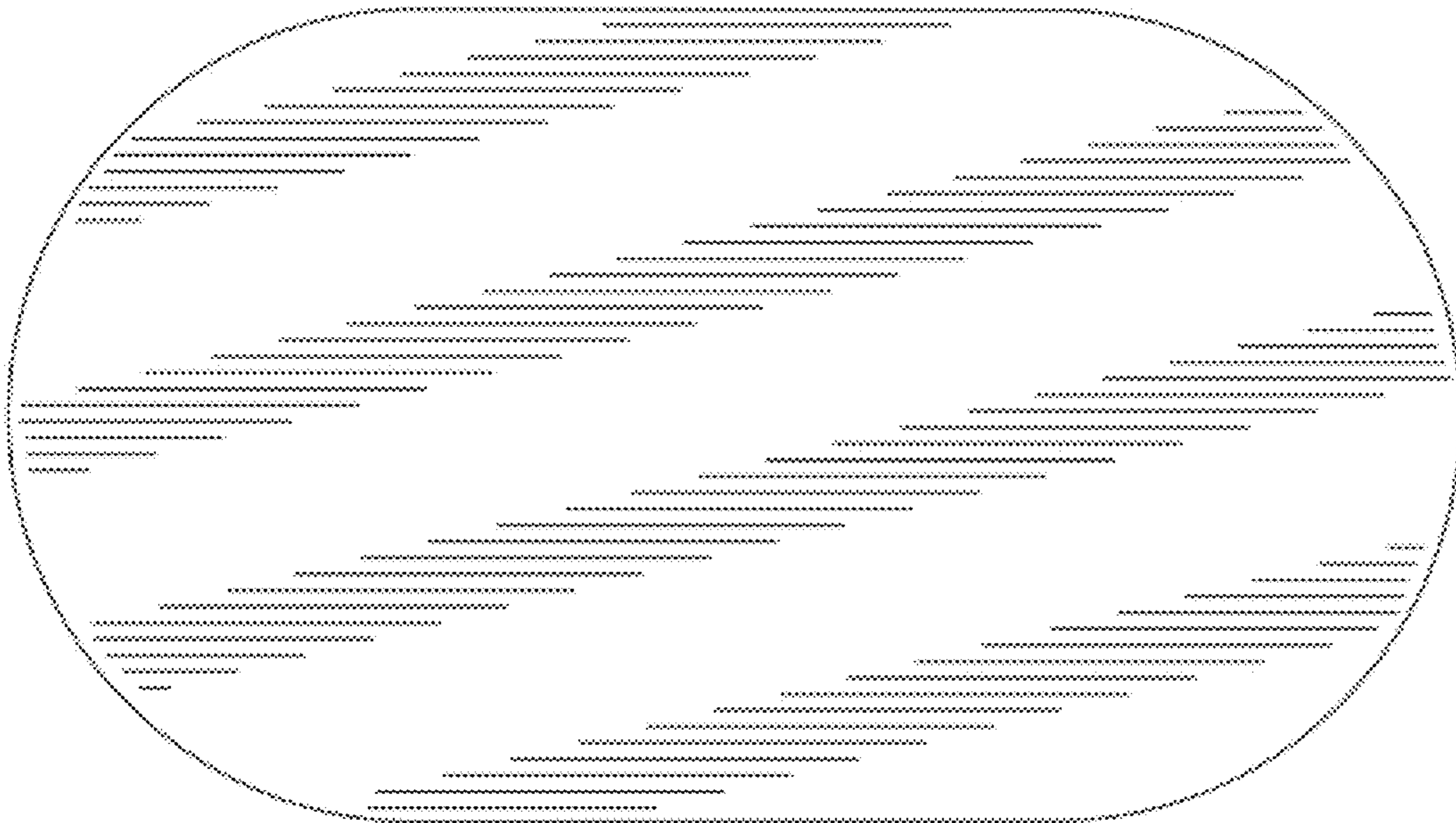


FIG. 7