



US00D658684S

(12) **United States Design Patent**
Roman

(10) **Patent No.:** **US D658,684 S**
(45) **Date of Patent:** **** May 1, 2012**

(54) **COMPRESSOR FRAME**

(75) Inventor: **Alisson Luiz Roman**, Joinville (BR)

(73) Assignee: **Whirlpool S.A.**, São Paulo (BR)

(**) Term: **14 Years**

(21) Appl. No.: **29/396,191**

(22) Filed: **Jun. 27, 2011**

(30) **Foreign Application Priority Data**

Dec. 27, 2010 (BR) DI7005546-7

(51) **LOC (9) Cl.** **15-02**

(52) **U.S. Cl.** **D15/9**

(58) **Field of Classification Search** D15/7-9;
D23/231, 232, 225; 417/60, 235, 265, 321,
417/355, 358, 363, 359, 410.1, 415-416,
417/405, 900; 60/408, 412; 184/26-37;
415/140-147; 123/495, 509

See application file for complete search history.

(56) **References Cited**

U.S. PATENT DOCUMENTS

D332,101 S * 12/1992 Aizawa D15/7
D345,420 S * 3/1994 Stewart, Sr. D24/143
D441,768 S * 5/2001 Nagai et al. D15/7
D461,827 S * 8/2002 Koebbe D15/7

D472,558 S * 4/2003 MacPherson et al. D15/7
D506,210 S * 6/2005 Selic et al. D15/7
D520,521 S * 5/2006 Angeletta D15/7
D583,389 S * 12/2008 Bilger D15/7
D610,166 S * 2/2010 Foreman D15/7
D623,200 S * 9/2010 Fulkerson et al. D15/7
D623,664 S * 9/2010 Fulkerson et al. D15/7
D624,561 S * 9/2010 Yu D15/7
D641,382 S * 7/2011 Hawes et al. D15/7
D643,442 S * 8/2011 Sato et al. D15/9
D643,855 S * 8/2011 Taniguchi et al. D15/7

* cited by examiner

Primary Examiner — Ralf Seifert

(74) *Attorney, Agent, or Firm* — Holland & Knight LLP;
Brian J. Colandreo, Esq.; Elizabeth R. Burkhard, Esq.

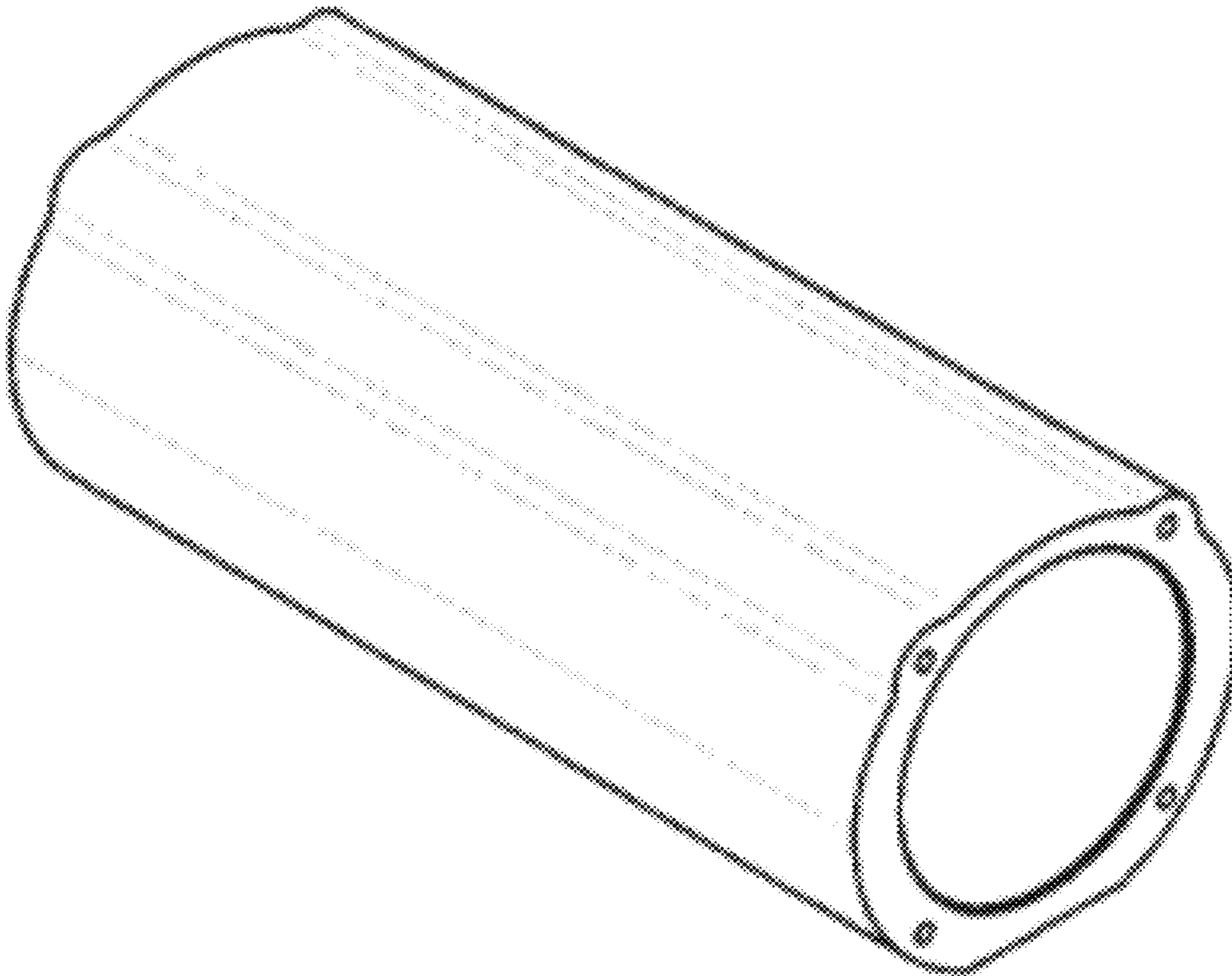
(57) **CLAIM**

The ornamental design for a compressor frame, as shown and described.

DESCRIPTION

FIG. 1 is a front perspective view of a compressor frame;
FIG. 2 is a front elevational view thereof, the back elevational view being a mirror image;
FIG. 3 is a left side elevational view thereof, the right side elevational view being a mirror image;
FIG. 4 is a top plan view thereof; and,
FIG. 5 is a bottom plan view thereof.

1 Claim, 2 Drawing Sheets



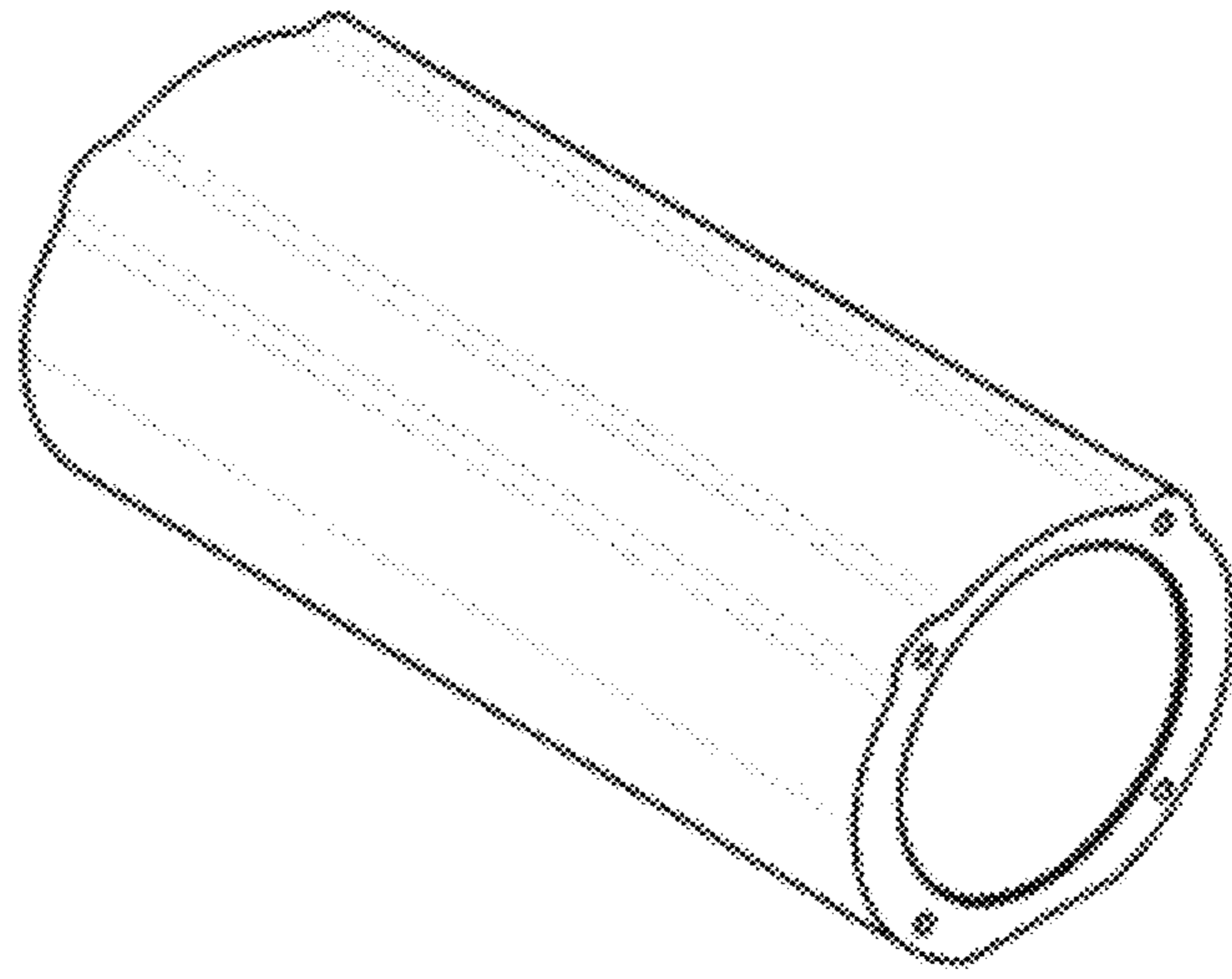


FIG. 1

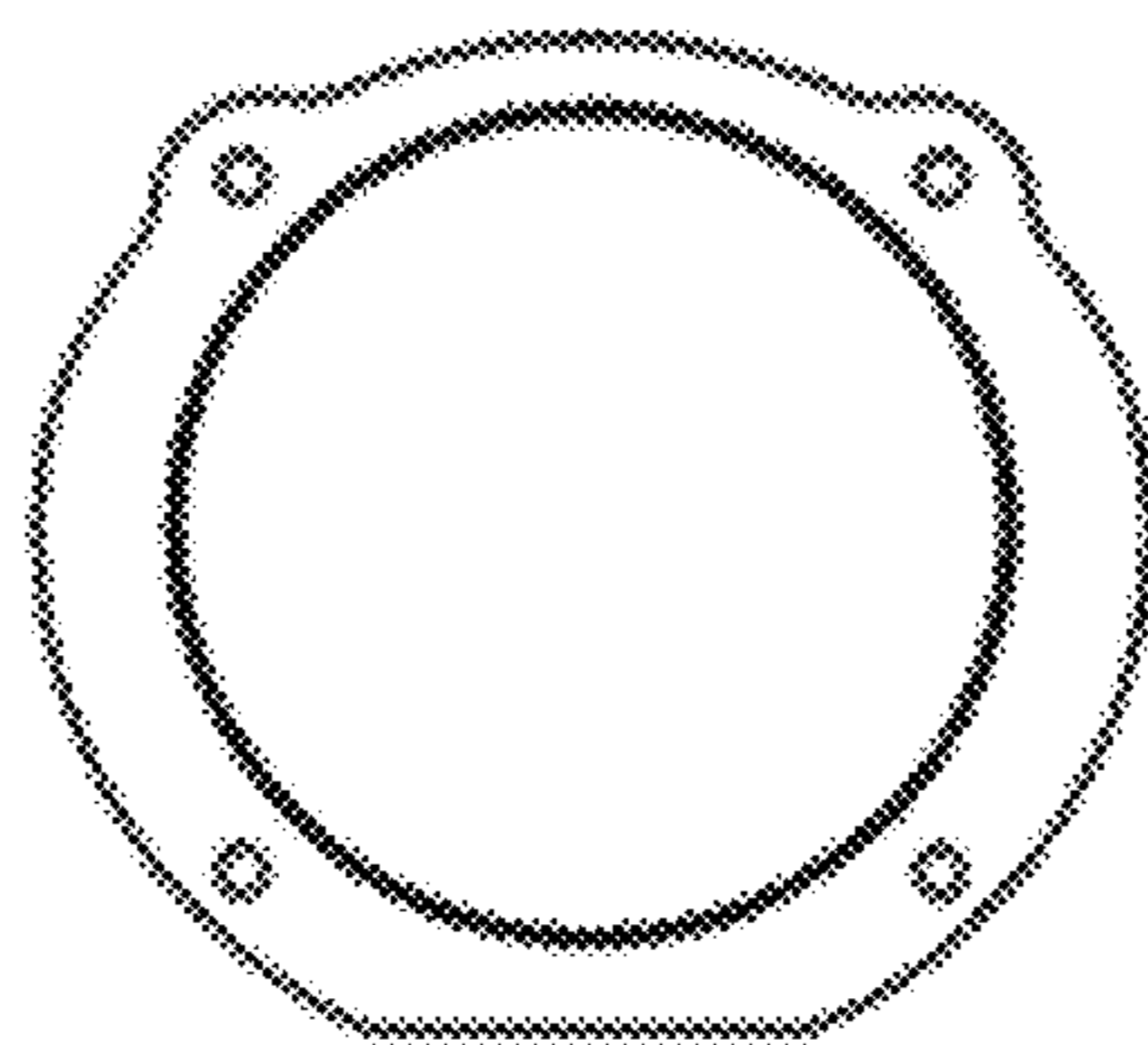


FIG. 2

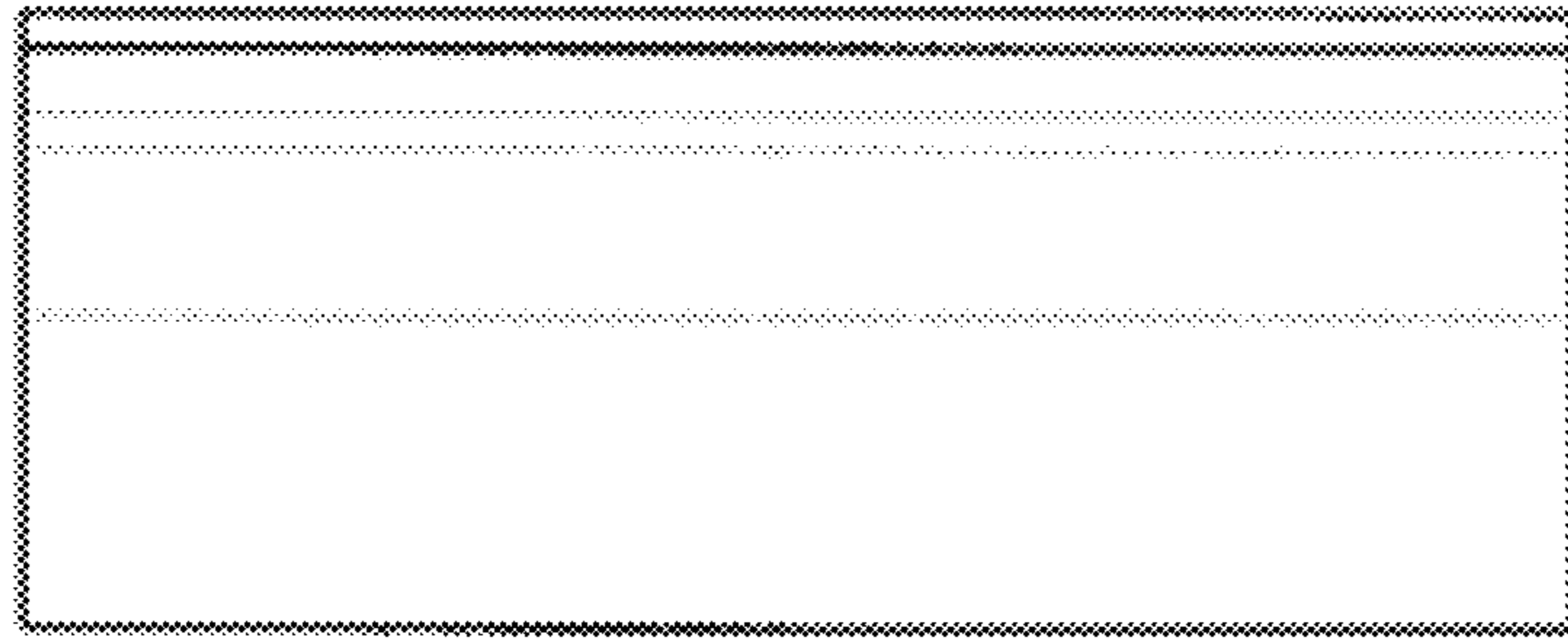


FIG. 3

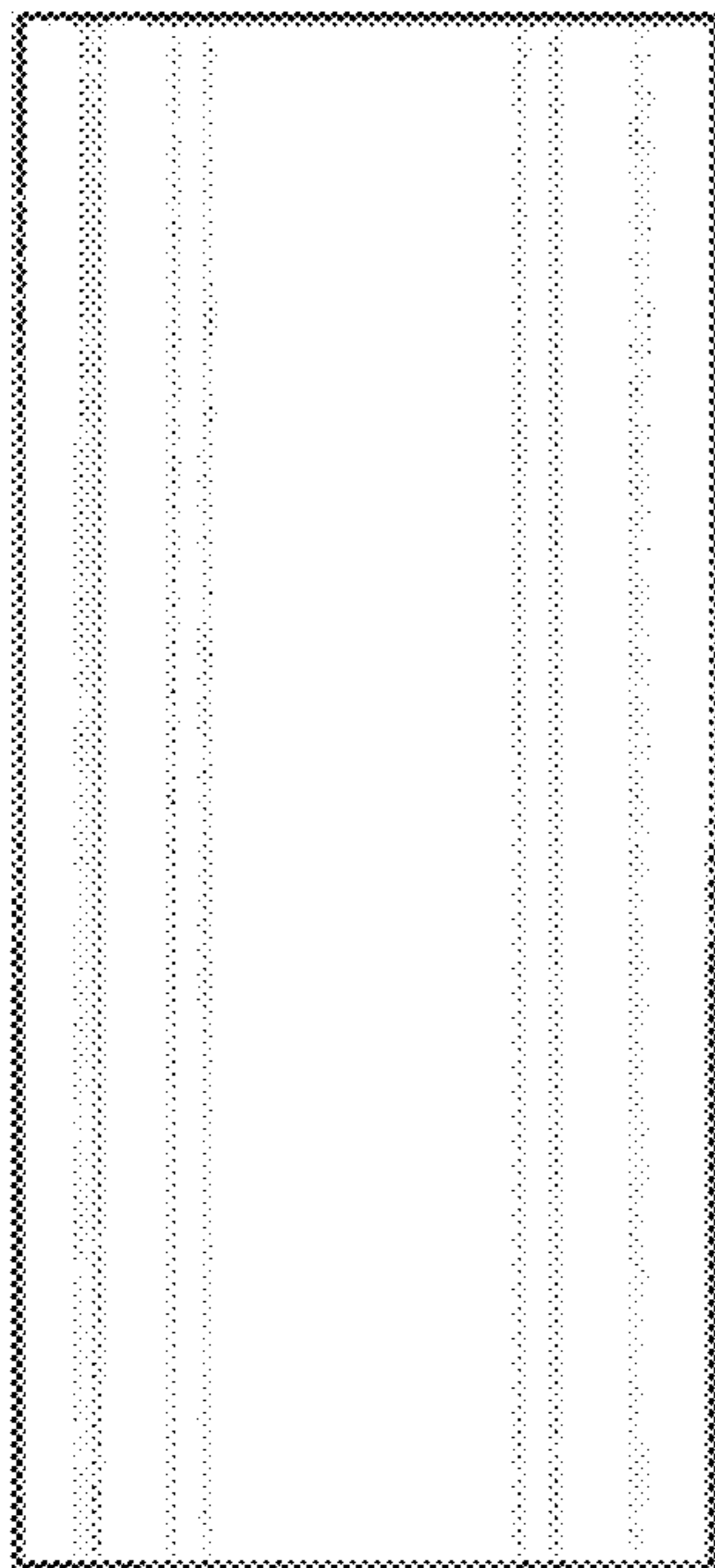


FIG. 4

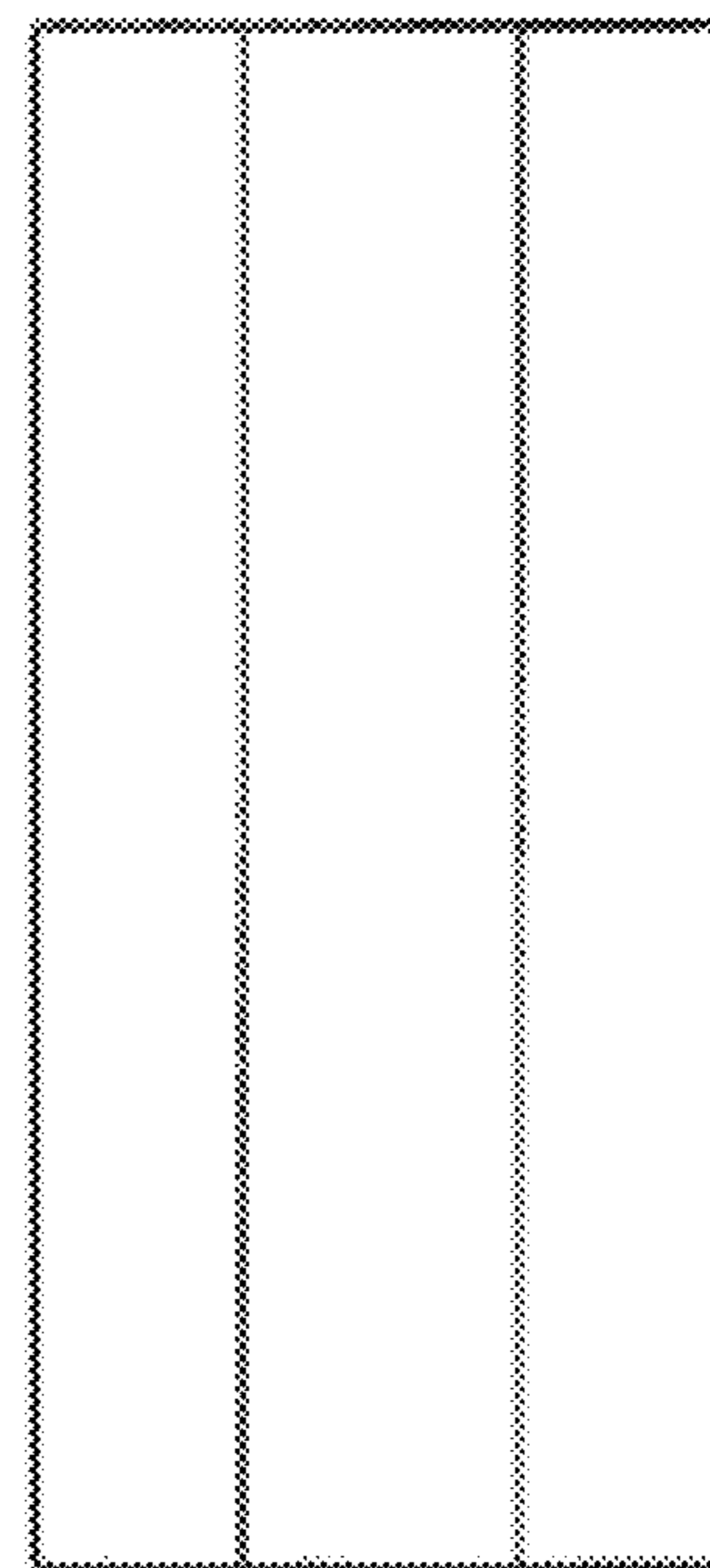


FIG. 5