



US00D658665S

(12) **United States Design Patent**
Akana et al.

(10) **Patent No.:** **US D658,665 S**
(45) **Date of Patent:** **** May 1, 2012**

(54) **USB DEVICE**

(75) Inventors: **Jody Akana**, San Francisco, CA (US);
Bartley K. Andre, Menlo Park, CA
(US); **Jeremy Bataillou**, San Francisco,
CA (US); **Daniel J. Coster**, San
Francisco, CA (US); **Daniele De Iuliis**,
San Francisco, CA (US); **Evans**
Hankey, San Francisco, CA (US);
Richard P. Howarth, San Francisco, CA
(US); **Jonathan P. Ive**, San Francisco,
CA (US); **Duncan Robert Kerr**, San
Francisco, CA (US); **Shin Nishibori**,
Portola Valley, CA (US); **Matthew Dean**
Rohrbach, San Francisco, CA (US);
Peter Russell-Clarke, San Francisco,
CA (US); **Christopher J. Stringer**,
Woodside, CA (US); **Eugene Antony**
Whang, San Francisco, CA (US); **Rico**
Zorkendorfer, San Francisco, CA (US)

(73) Assignee: **Apple Inc.**, Cupertino, CA (US)

(**) Term: **14 Years**

(21) Appl. No.: **29/377,060**

(22) Filed: **Oct. 15, 2010**

(51) **LOC (9) Cl.** **14-02**

(52) **U.S. Cl.** **D14/480.1**

(58) **Field of Classification Search** D14/411,
D14/433, 435.1, 436, 480.1–480.7, 484.1,
D14/137, 155, 203.1–203.8, 240; D13/133,
D13/154; 710/300, 301; 439/131, 135–147;
361/679.31, 679.33, 679.4, 752; 711/100,
711/115

See application file for complete search history.

(56) **References Cited**

U.S. PATENT DOCUMENTS

D269,088 S * 5/1983 Genaro et al. D14/137
D337,997 S 8/1993 Brunner et al.
D364,398 S 11/1995 Lam

D372,707 S * 8/1996 Grewe et al. D14/435
D447,481 S * 9/2001 Wallace et al. D14/436
D452,246 S * 12/2001 Wallace et al. D14/436
6,480,390 B2 * 11/2002 Matsumiya et al. 361/736
6,744,634 B2 * 6/2004 Yen 361/752
D513,005 S * 12/2005 Kobayakawa D14/480.1
D518,483 S * 4/2006 Yu et al. D14/436
D529,044 S 9/2006 Andre et al.

(Continued)

FOREIGN PATENT DOCUMENTS

KR 3004727180000 12/2007

(Continued)

OTHER PUBLICATIONS

Search Report for New Design Patnt [sic] Application, ROC (Taiwan)
New Design Patent Application No. 100301579 (Translation), Tai-
wan (ROC) Patent Office, completed Oct. 19, 2011.

Primary Examiner — Karen E Kearney

(74) *Attorney, Agent, or Firm* — Sterne, Kessler, Goldstein
& Fox PLLC

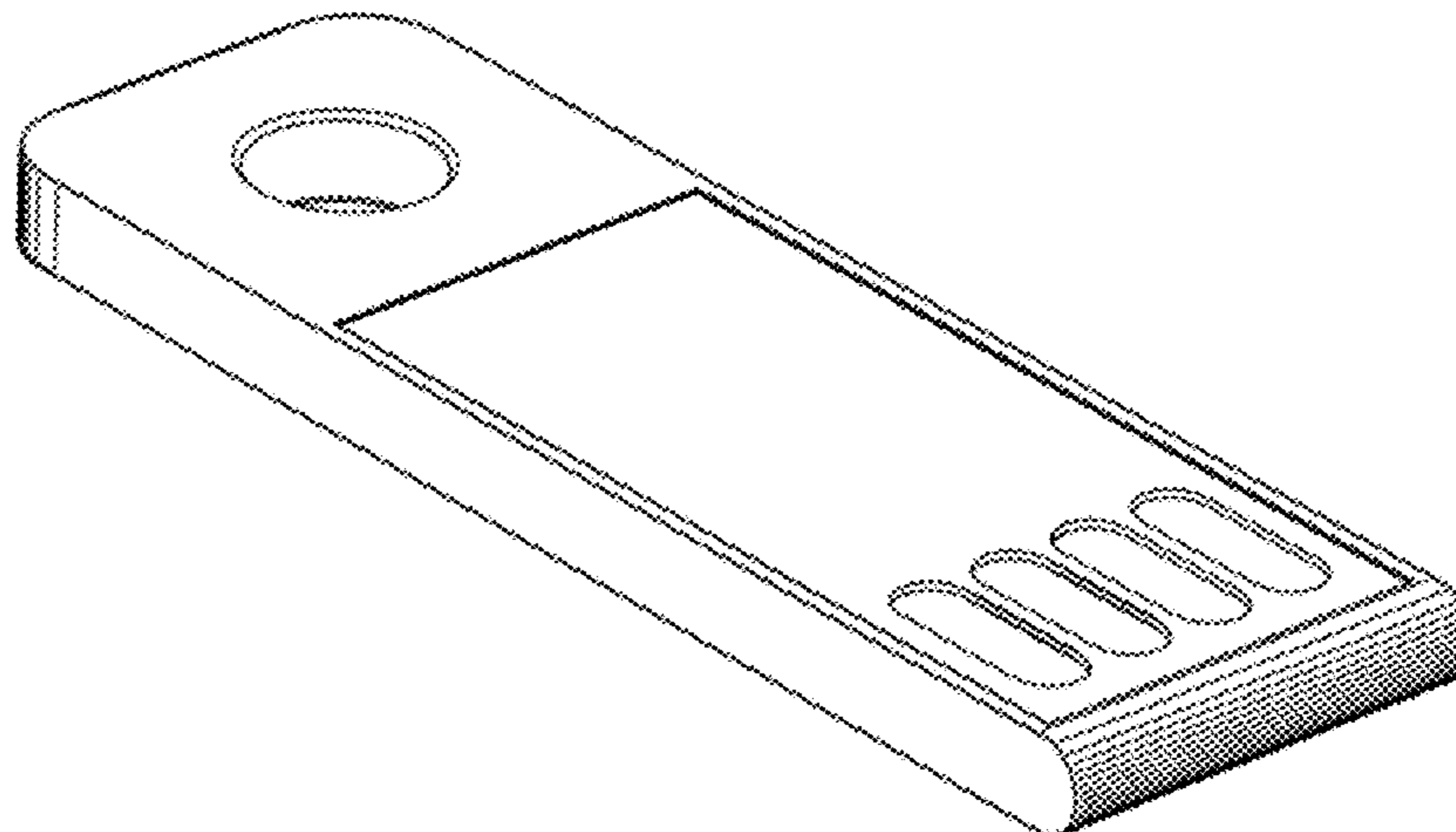
(57) **CLAIM**

The ornamental design for a USB device, as shown and
described.

DESCRIPTION

FIG. 1 is a front perspective view of a USB device showing
our new design;
FIG. 2 is a rear perspective view thereof;
FIG. 3 is another front perspective view thereof;
FIG. 4 is another rear perspective view thereof;
FIG. 5 is a front view thereof;
FIG. 6 is a rear view thereof;
FIG. 7 is a left side view thereof;
FIG. 8 is a right side view thereof;
FIG. 9 is a top view thereof; and,
FIG. 10 is a bottom view thereof.
The shade lines in the Figures show contour and not surface
ornamentation.

1 Claim, 8 Drawing Sheets



US D658,665 S

Page 2

U.S. PATENT DOCUMENTS

D530,340 S 10/2006 Andre et al.
D534,921 S 1/2007 Andre et al.
D535,308 S 1/2007 Andre et al.
D539,814 S 4/2007 Andre et al.
7,233,489 B2* 6/2007 Toyama et al. 361/679.31
D558,783 S 1/2008 Andre et al.
D608,303 S 1/2010 Klausning et al.

D620,456 S 7/2010 Akana et al.
D631,053 S * 1/2011 Bailey D14/480.1
2010/0046156 A1* 2/2010 Wei 361/679.32

FOREIGN PATENT DOCUMENTS

KR 3004946390000 6/2008

* cited by examiner

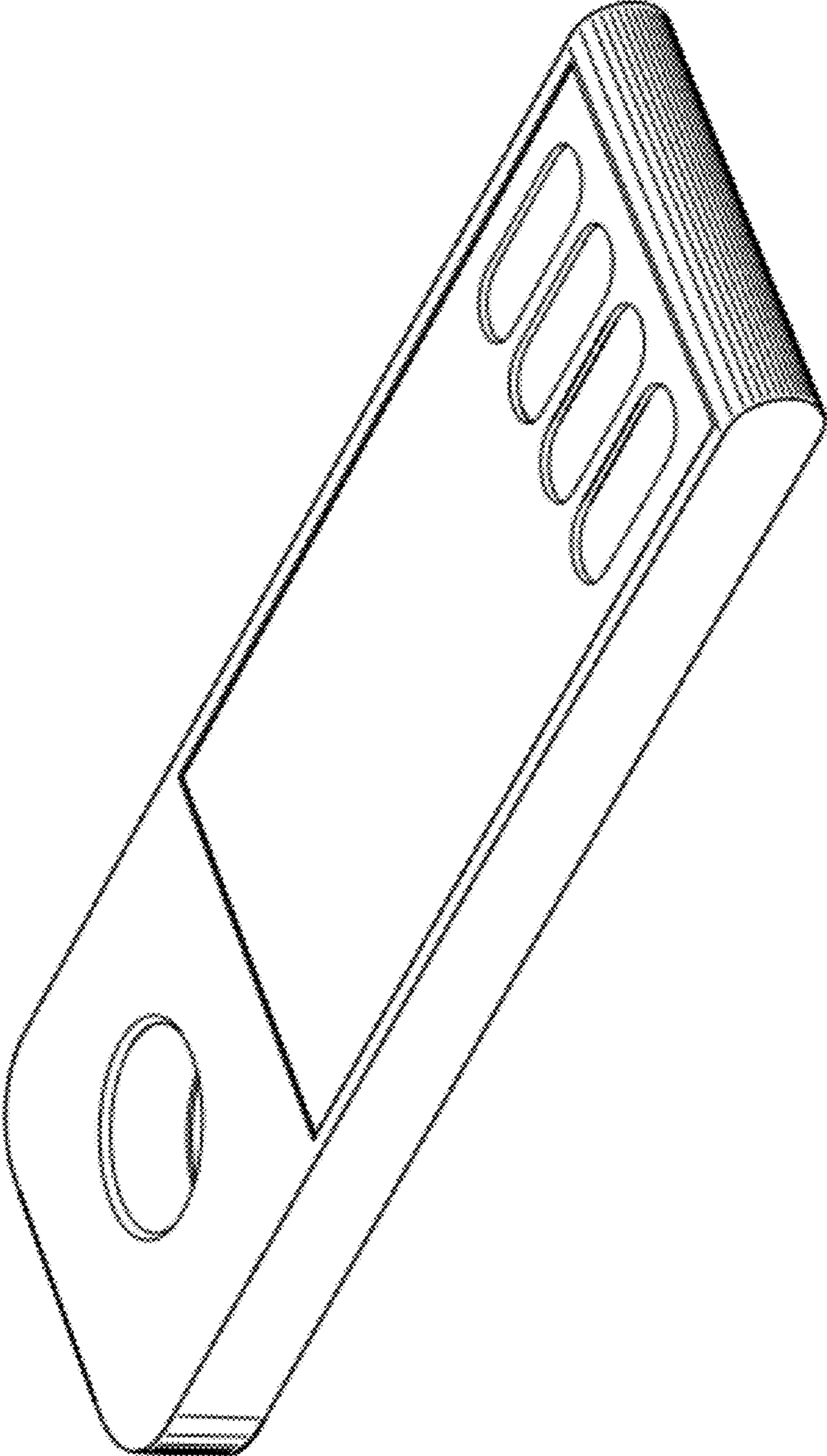


FIG. 1

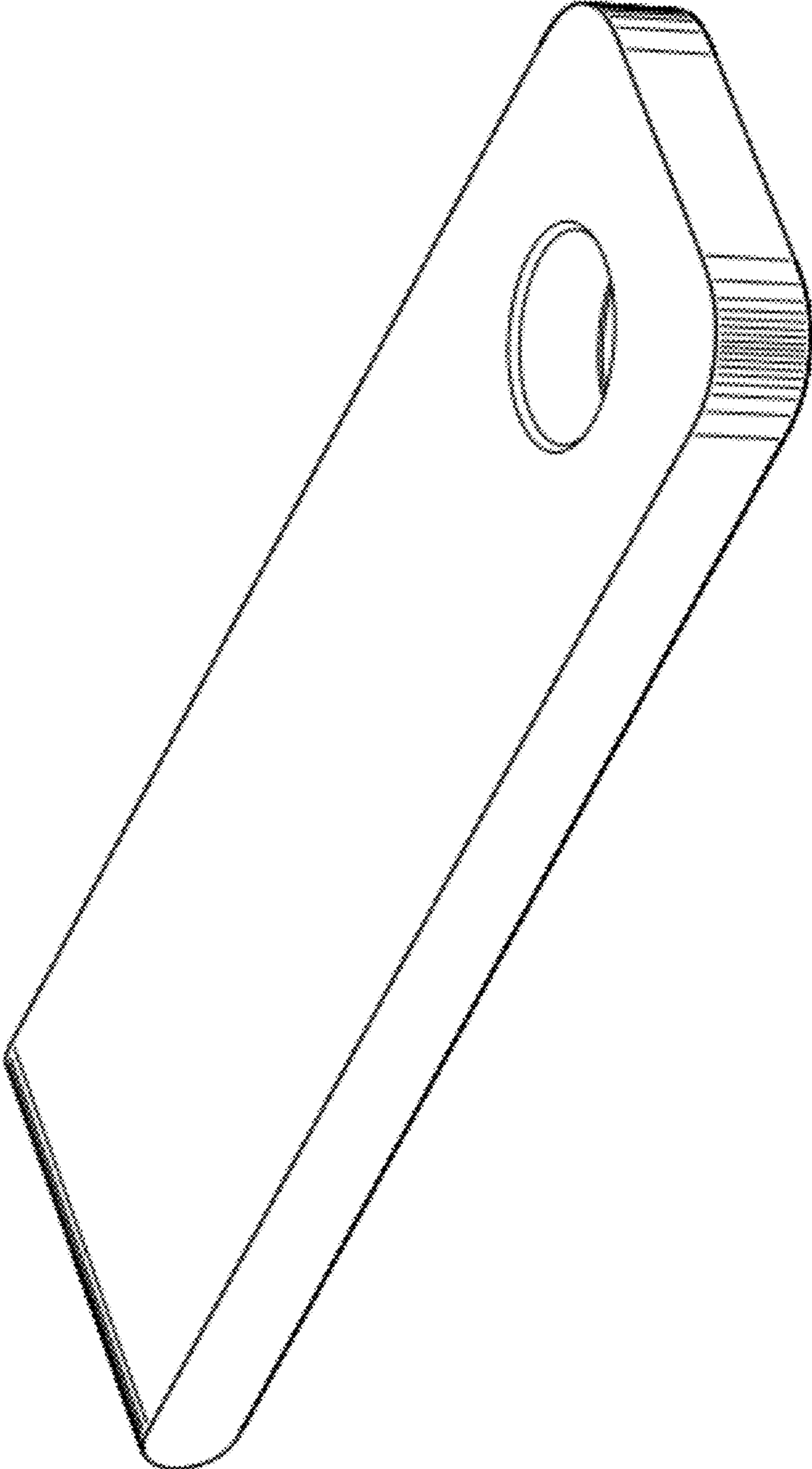


FIG. 2

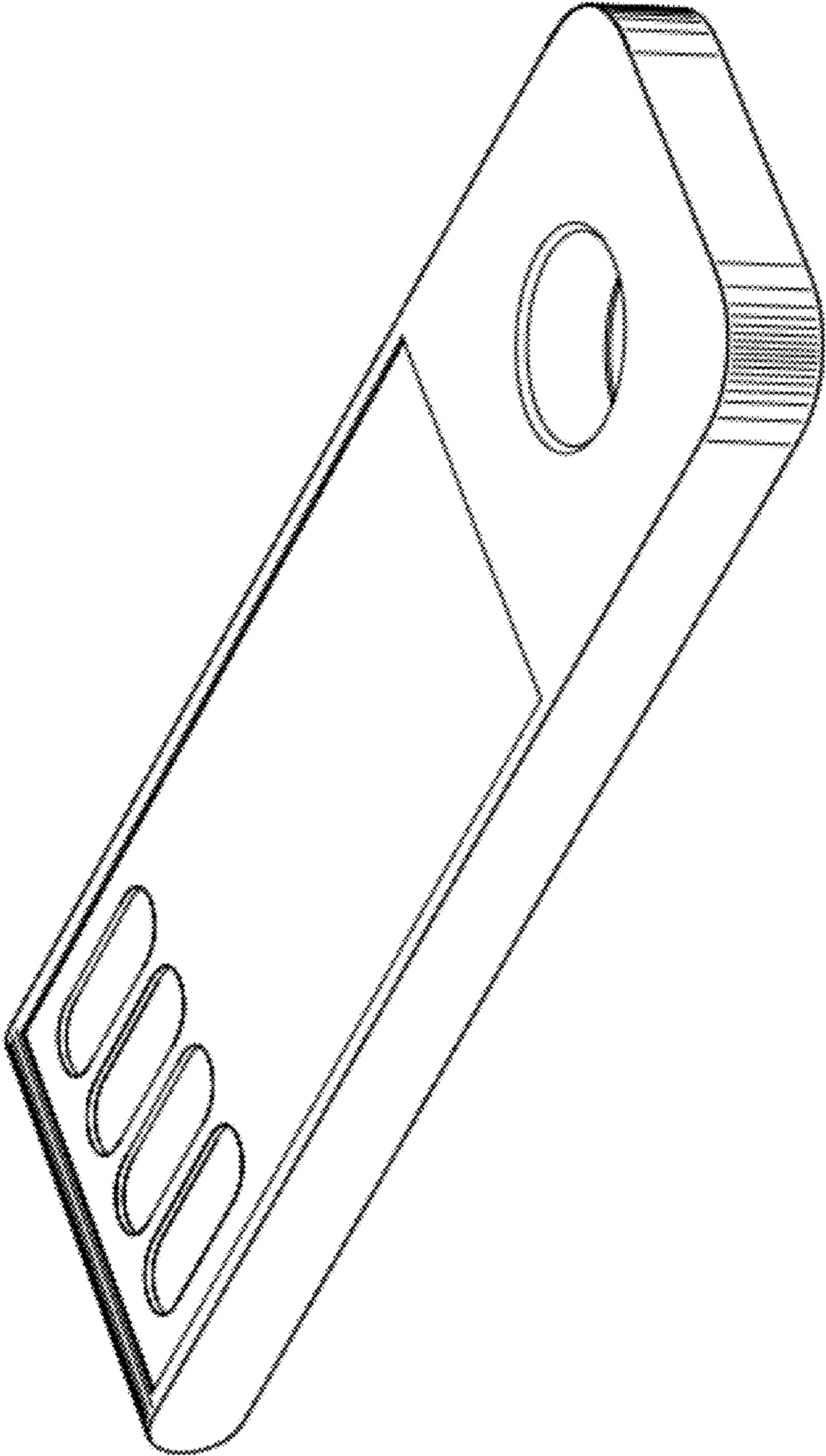


FIG. 3

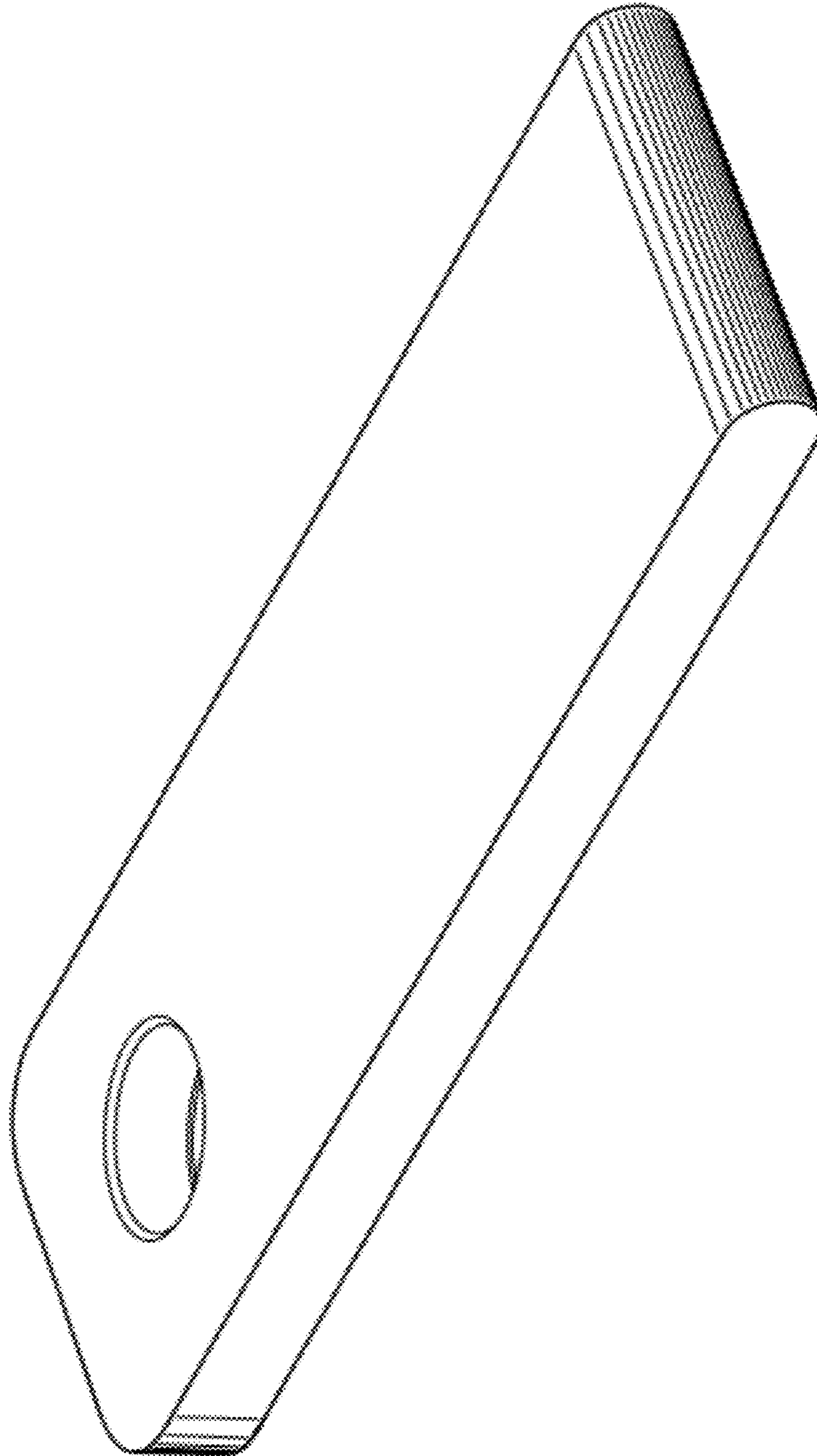


FIG.4

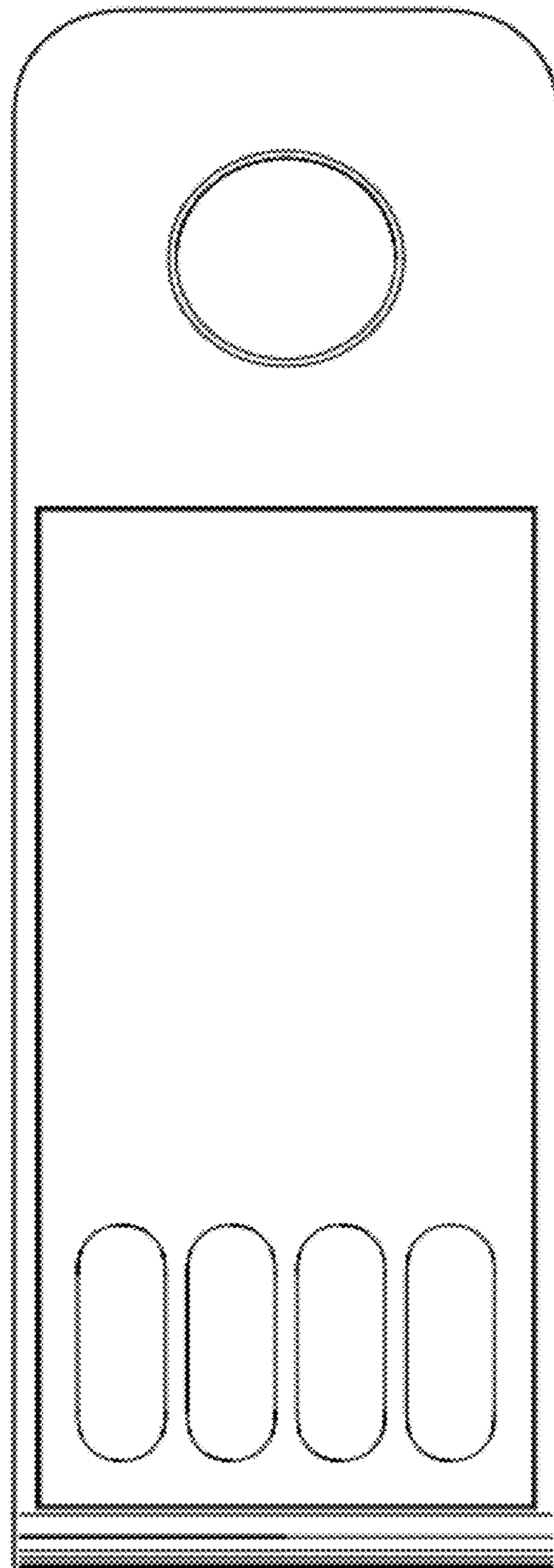


FIG. 5



FIG. 6

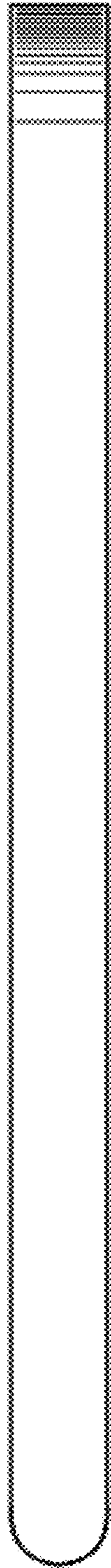


FIG. 7

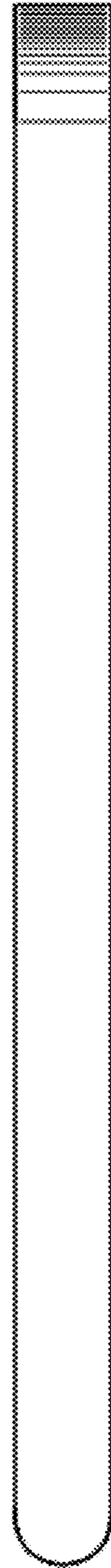


FIG. 8



FIG. 9



FIG. 10