



US00D658651S

(12) **United States Design Patent**
Lee et al.

(10) **Patent No.:** **US D658,651 S**
(45) **Date of Patent:** **** May 1, 2012**

(54) **BRACKET FOR SUPPORTING DISPLAY DEVICE**

(75) Inventors: **Chao-Chang Lee**, New Taipei (TW);
Wu-Zhu Hu, Shenzhen (CN);
Ben-Xiang Zhao, Shenzhen (CN);
Wu-Qi Li, Shenzhen (CN)

(73) Assignee: **Hon Hai Precision Industry Co., Ltd.**,
Tu-Cheng, New Taipei (TW)

(**) Term: **14 Years**

(21) Appl. No.: **29/402,932**

(22) Filed: **Sep. 29, 2011**

(51) **LOC (9) Cl.** **14-02**

(52) **U.S. Cl.** **D14/452**

(58) **Field of Classification Search** D14/447,
D14/432, 434, 433, 439, 440, 448, 451, 452,
D14/457, 400, 401, 239, 217, 238.1, 250,
D14/251, 252, 253; D21/333, 324, 325,
D21/328, 329, 330, 331, 332; D13/107,
D13/108; D6/310, 311, 312, 406.3, 406.4,
D6/406.5, 419, 566; D8/363, 373, 376, 380,
D8/381; 248/917-924, 441.1, 447, 451,
248/459, 460, 462, 463, 121, 139, 151, 434,
248/170, 176.1, 177.1, 281.11, 309.3, 346.5;
361/379.02, 679.05, 679.06, 679.07, 679.09,
361/679.1, 679.21, 679.22, 679.23, 679.25,
361/679.26, 679.27, 679.3, 679.55, 679.56,
361/679.29, 679.28; 379/455, 454; 312/223.3

See application file for complete search history.

(56) **References Cited**

U.S. PATENT DOCUMENTS

D411,544	S	*	6/1999	Richter	D14/253
D415,771	S	*	10/1999	Richter	D14/253
D521,990	S	*	5/2006	Richter	D14/253
D522,843	S	*	6/2006	Richter	D8/363
D533,053	S	*	12/2006	Brassard	D8/373
D533,055	S	*	12/2006	Brassard	D8/373
7,226,026	B2	*	6/2007	Lin	248/205.5
D549,709	S	*	8/2007	Richter	D14/447
D554,042	S	*	10/2007	Richter	D12/415
D568,888	S	*	5/2008	Eyman et al.	D14/451
D592,205	S	*	5/2009	O'Brien	D14/253
D603,322	S	*	11/2009	Nicieja	D12/415
D643,042	S	*	8/2011	Saelid	D14/452

* cited by examiner

Primary Examiner — Angela J Lee

(74) *Attorney, Agent, or Firm* — Altis Law Group, Inc.

(57) **CLAIM**

The ornamental design for a bracket for supporting display device, as shown and described.

DESCRIPTION

FIG. 1 is a perspective view of a bracket for supporting display device showing my design.

FIG. 2 is a front elevational view thereof.

FIG. 3 is a rear elevational view thereof.

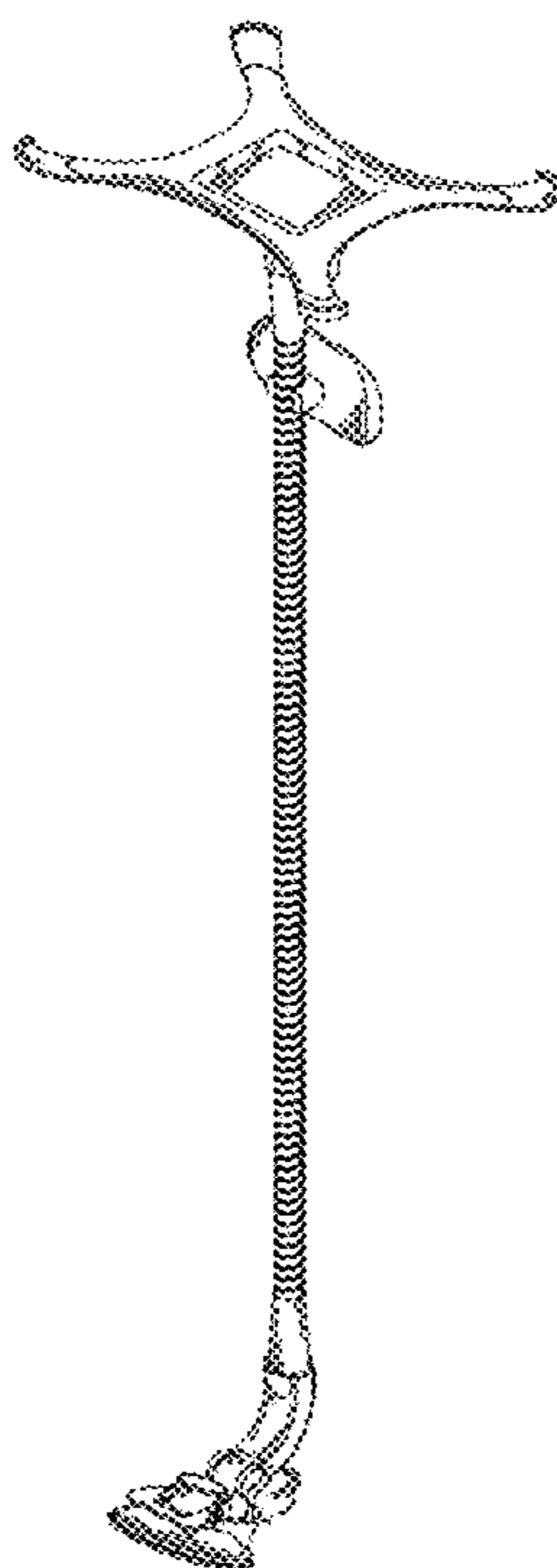
FIG. 4 is a left-side elevational view thereof.

FIG. 5 is a right-side elevational view thereof.

FIG. 6 is a top plan view thereof; and,

FIG. 7 is a bottom plan view thereof.

1 Claim, 7 Drawing Sheets



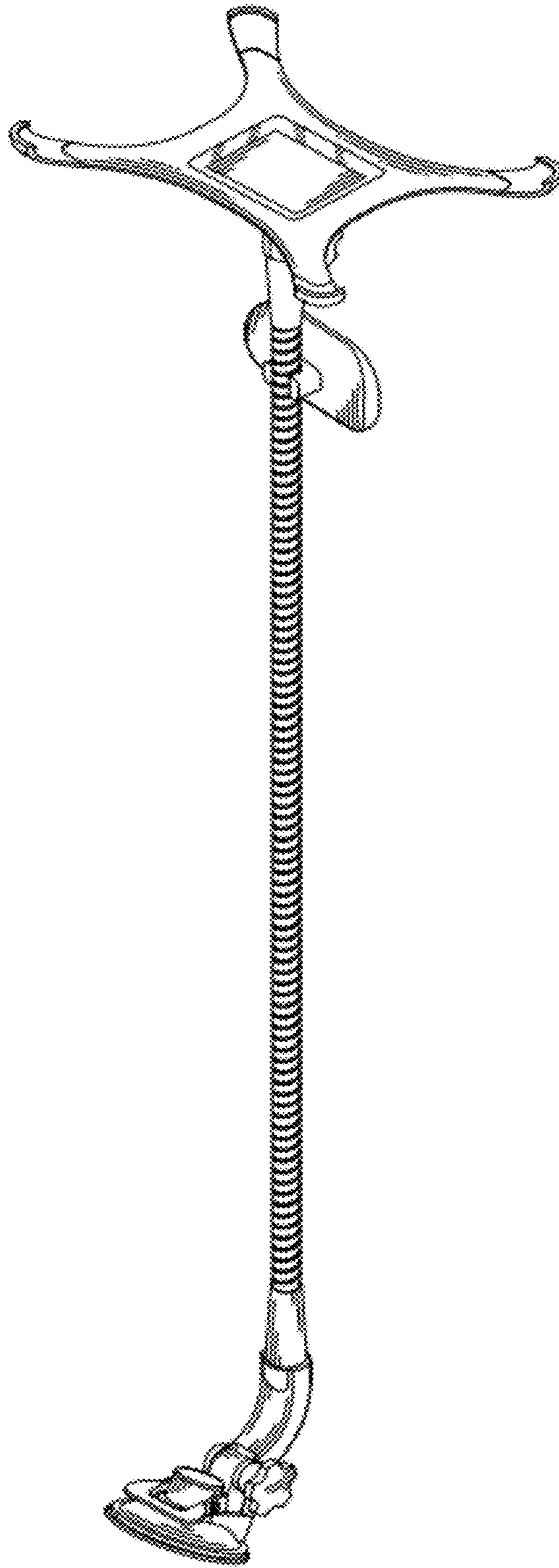


FIG. 1

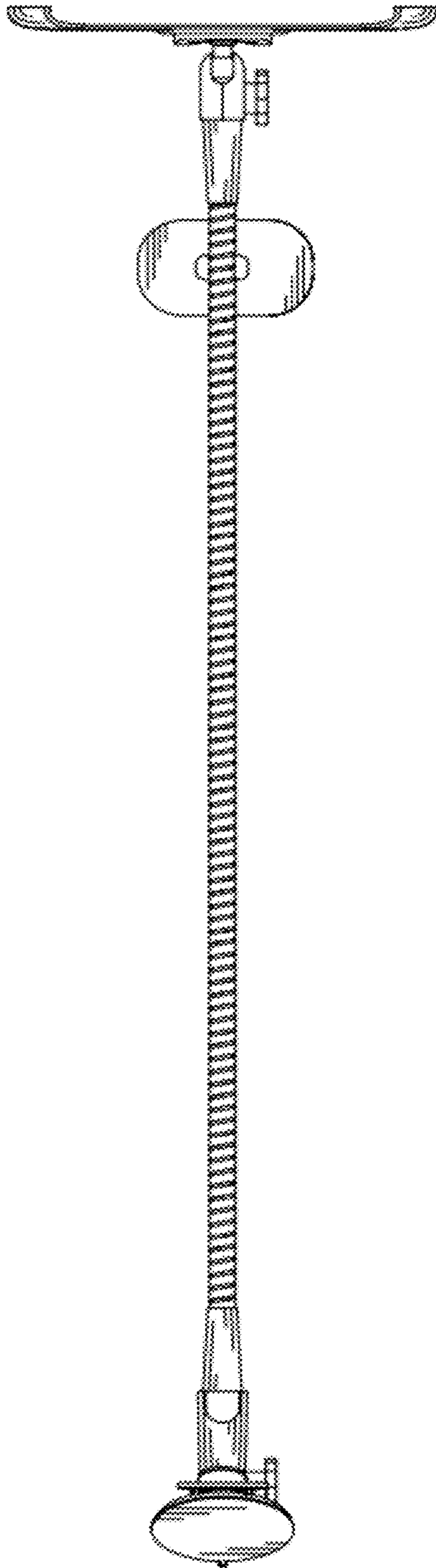


FIG. 2

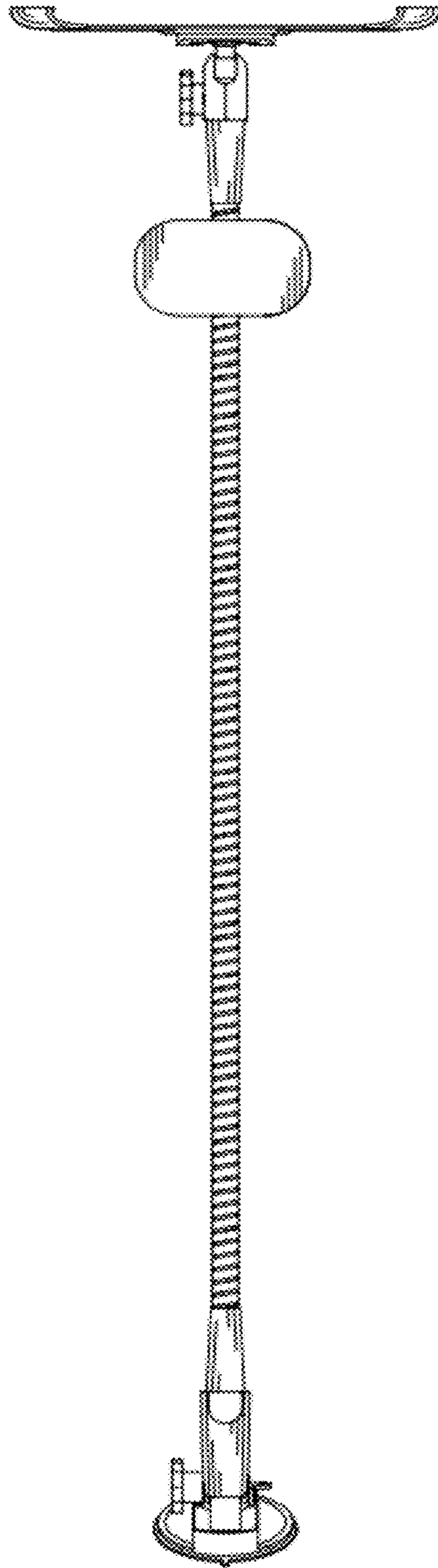


FIG. 3

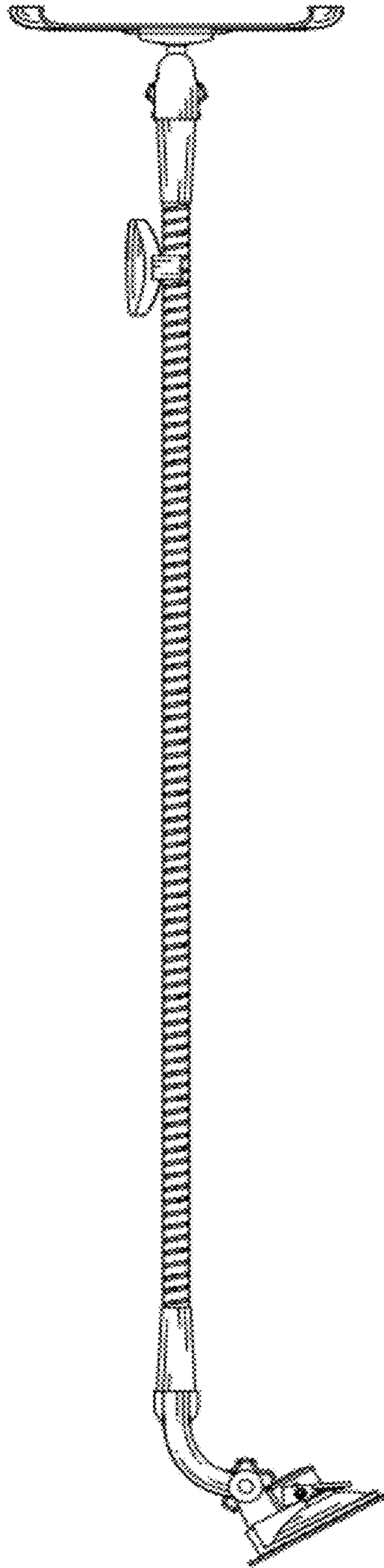


FIG. 4

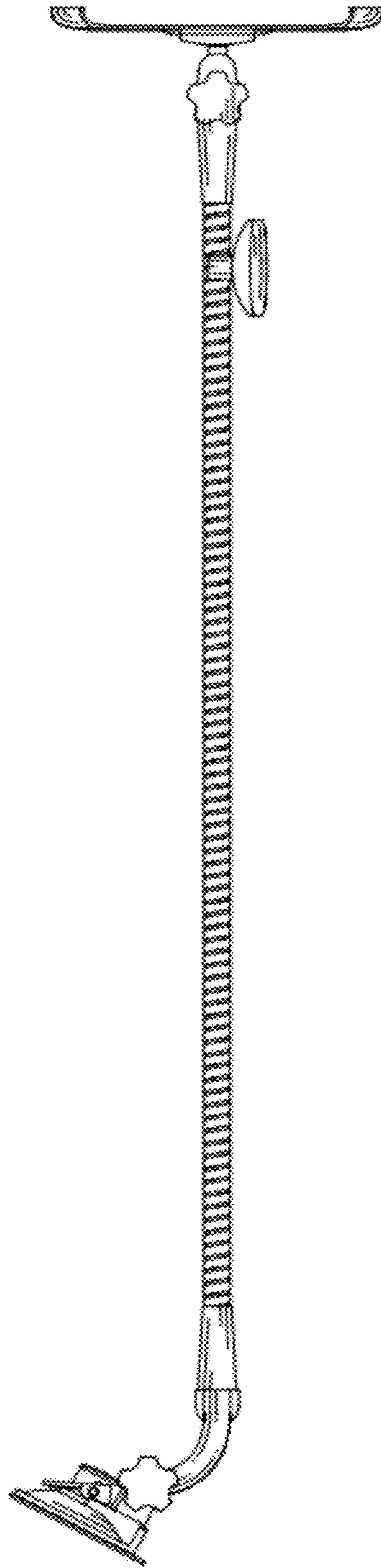


FIG. 5

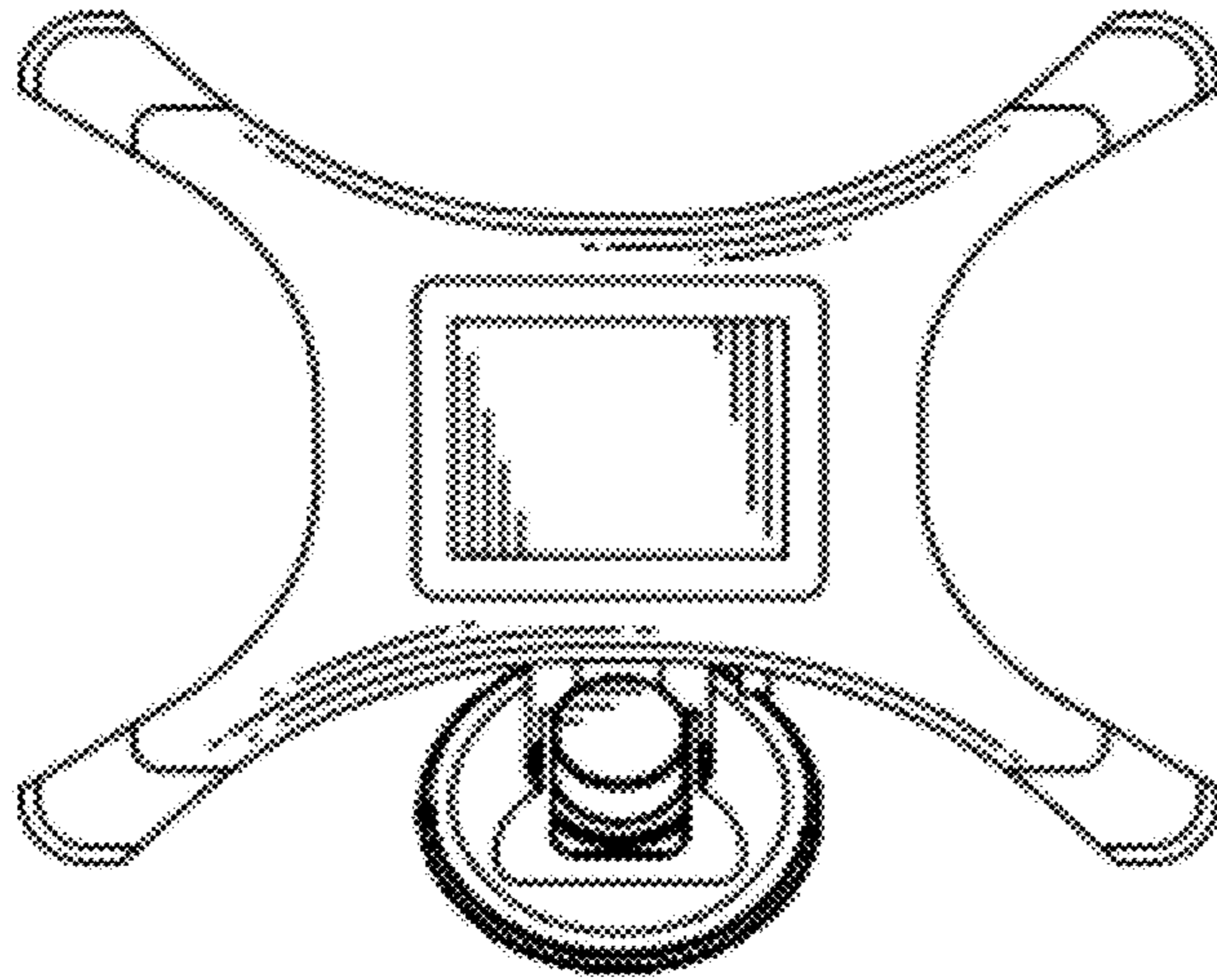


FIG. 6

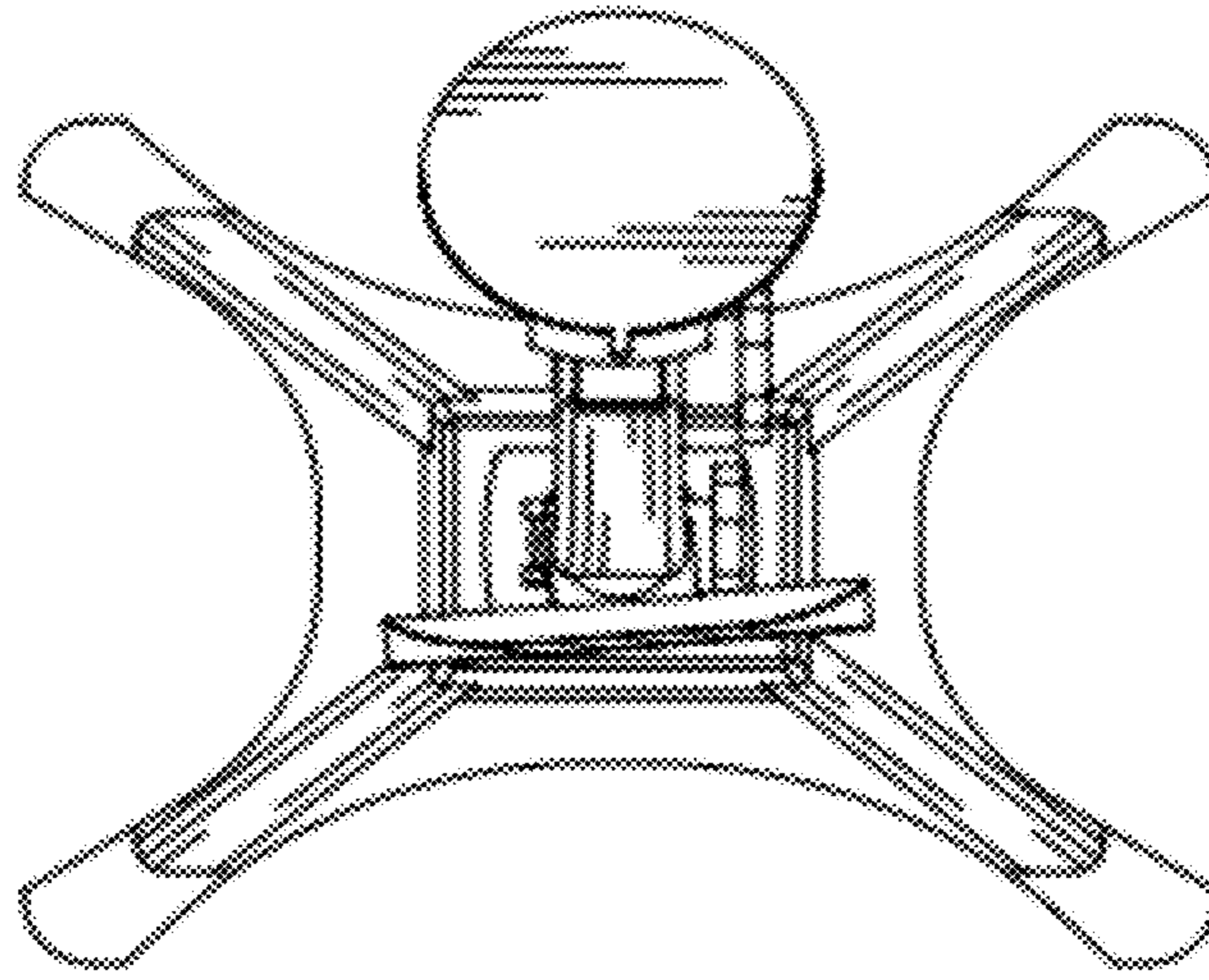


FIG. 7