



US00D658649S

(12) **United States Design Patent**
Mody et al.

(10) **Patent No.:** **US D658,649 S**
(45) **Date of Patent:** **** May 1, 2012**

(54) **ERGONOMIC KEYBOARD COMBINED WITH MOUSE AND TELEVISION CONTROLLER**

(76) Inventors: **Harsh Pravin Mody**, Ridgewood, NJ (US); **Run Ryan Mao**, East Rutherford, NJ (US)

(**) Term: **14 Years**

(21) Appl. No.: **29/373,819**

(22) Filed: **May 27, 2011**

Related U.S. Application Data

(63) Continuation-in-part of application No. 29/315,399, filed on Jun. 22, 2009, now abandoned.

(51) **LOC (9) Cl.** **14-02**

(52) **U.S. Cl.** **D14/397; D14/401**

(58) **Field of Classification Search** D14/218, D14/391-401, 405, 406, 412-417, 454-456; D18/1, 2, 7, 11; 178/17 A, 17 C; 200/5 A, 200/5 R, 6 A, 6 R; 235/145 A, 145 R; 341/22, 341/23, 35; 345/160, 168, 169; 361/679.01, 361/679.08, 679.09, 679.11-679.15, 679.17, 361/679.1; 400/484-486, 488, 489, 492, 400/472; D21/333

See application file for complete search history.

(56) **References Cited**

U.S. PATENT DOCUMENTS

5,874,906 A * 2/1999 Willner et al. 341/22
D418,499 S 1/2000 Brunner
6,108,200 A 8/2000 Fullerton

D469,436 S * 1/2003 Hussaini et al. D14/401
6,512,511 B2 1/2003 Willner et al.
D478,585 S 8/2003 Griffin
D487,452 S * 3/2004 Coon et al. D14/218
D494,590 S * 8/2004 Richter D14/393
6,873,317 B1 3/2005 Griffin et al.
D518,825 S 4/2006 Hawkins et al.
7,123,242 B1 10/2006 Henty
D553,619 S * 10/2007 Mak et al. D14/401
D570,356 S * 6/2008 Ikeda et al. D14/454
D578,167 S * 10/2008 Harris D21/333
D585,931 S * 2/2009 Palmer D18/7
7,758,424 B2 * 7/2010 Riggs et al. 345/168
D620,939 S * 8/2010 Suetake et al. D14/401
D624,079 S * 9/2010 Jennings et al. D14/401
D638,016 S * 5/2011 Ikeda D14/401
2002/0156615 A1 * 10/2002 Takatsuka et al. 704/1

* cited by examiner

Primary Examiner — Freda S Nunn

(74) *Attorney, Agent, or Firm* — Suraj Chivukula, Esq.

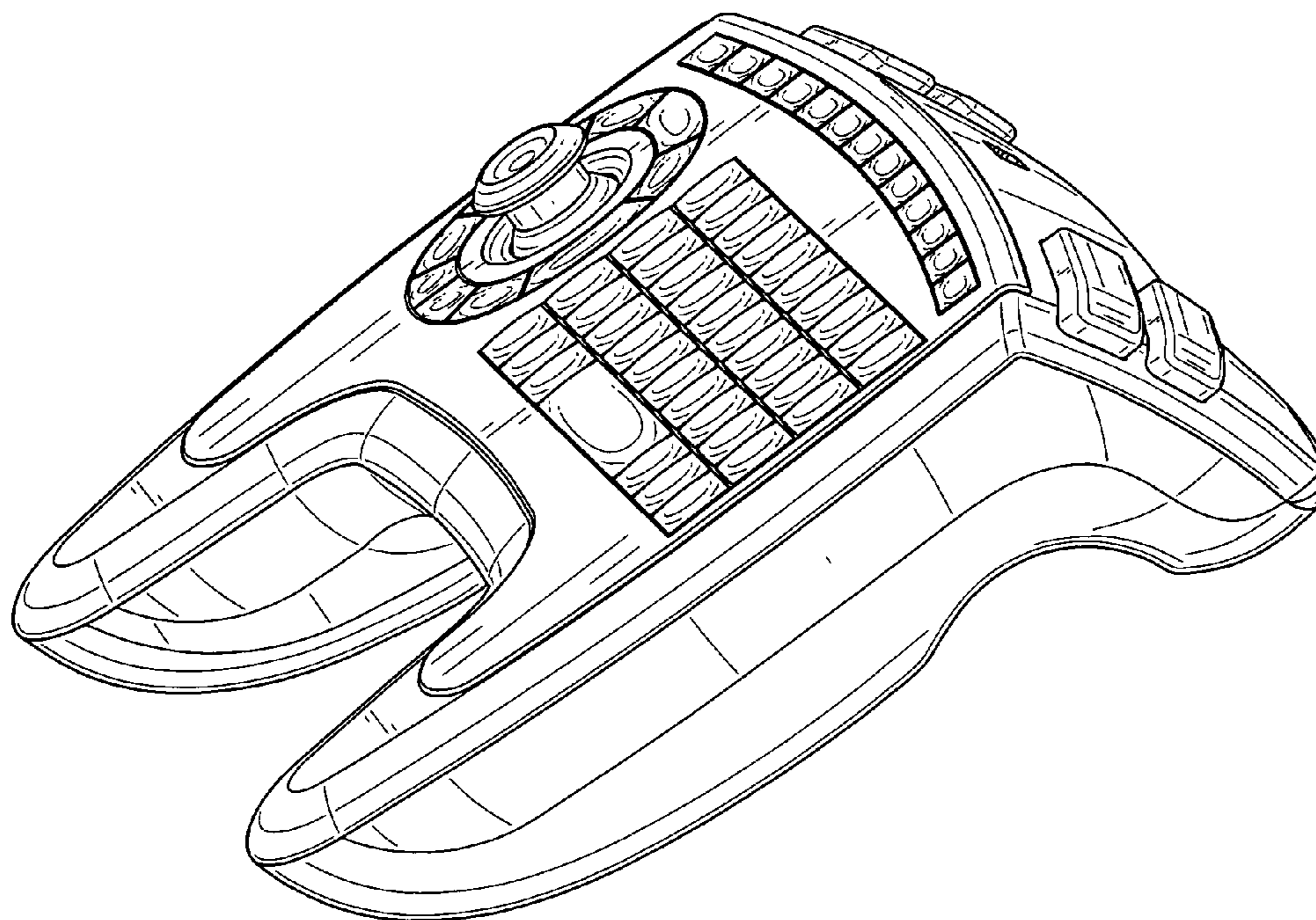
(57) **CLAIM**

The ornamental design for an ergonomic keyboard combined with mouse and television controller, as shown and described.

DESCRIPTION

FIG. 1 is a front perspective view of an ergonomic keyboard combined with mouse and television controller showing the design;
FIG. 2 is a top plan view thereof;
FIG. 3 is a bottom plan view thereof;
FIG. 4 is a left side view thereof;
FIG. 5 is a right side view thereof;
FIG. 6 is a rear elevation view thereof; and,
FIG. 7 is a front elevation view thereof.

1 Claim, 5 Drawing Sheets



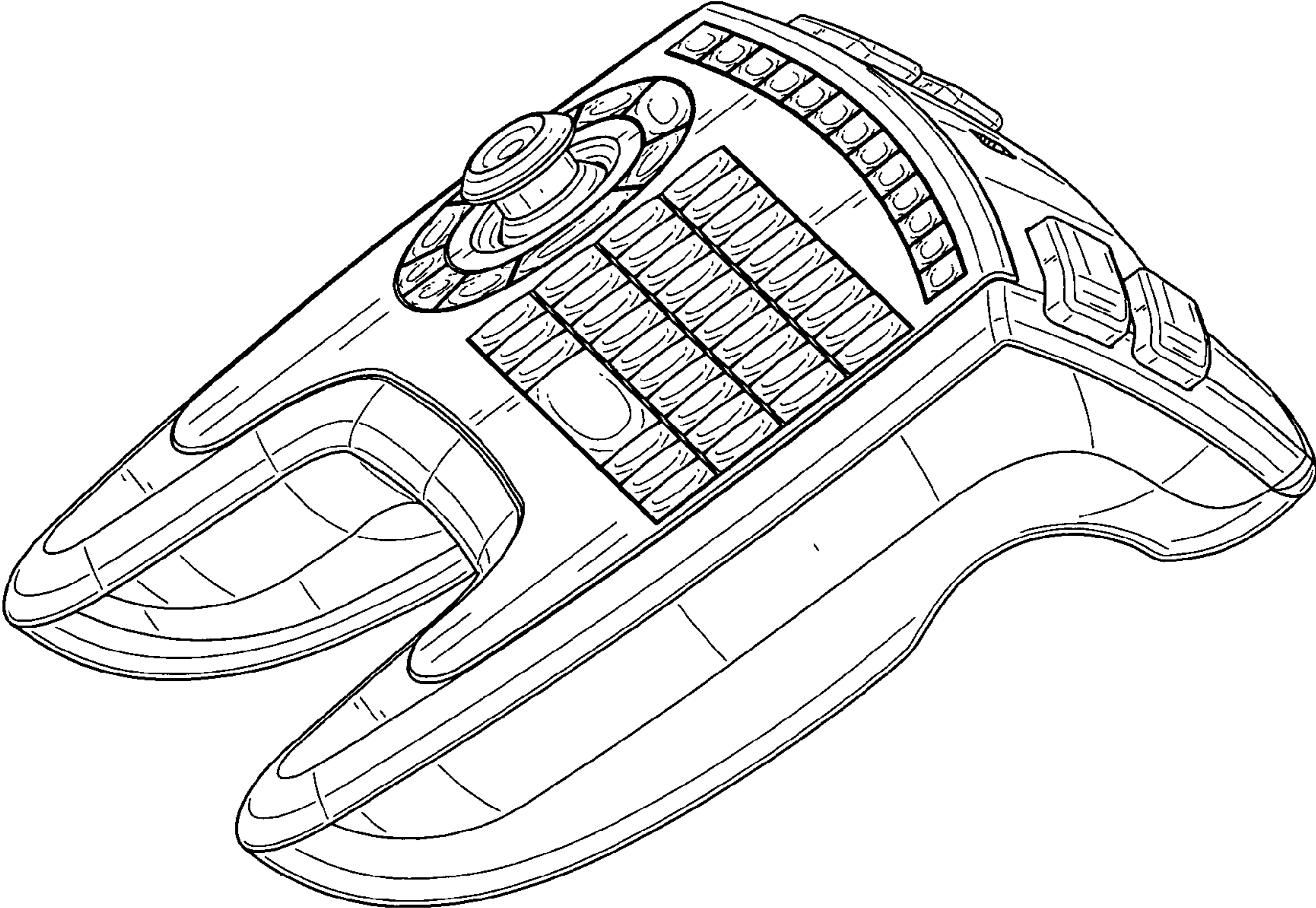


FIG. 1

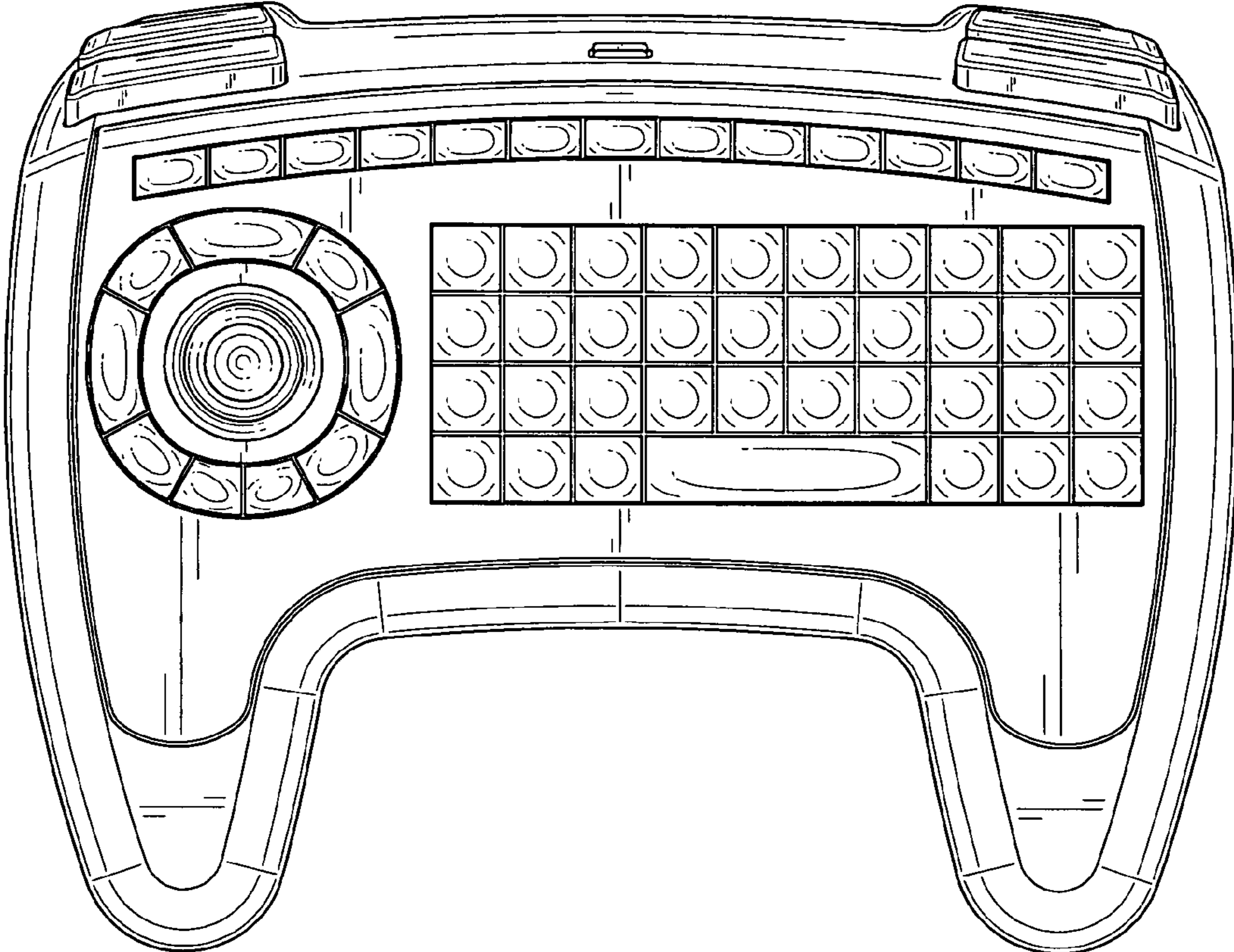


FIG. 2

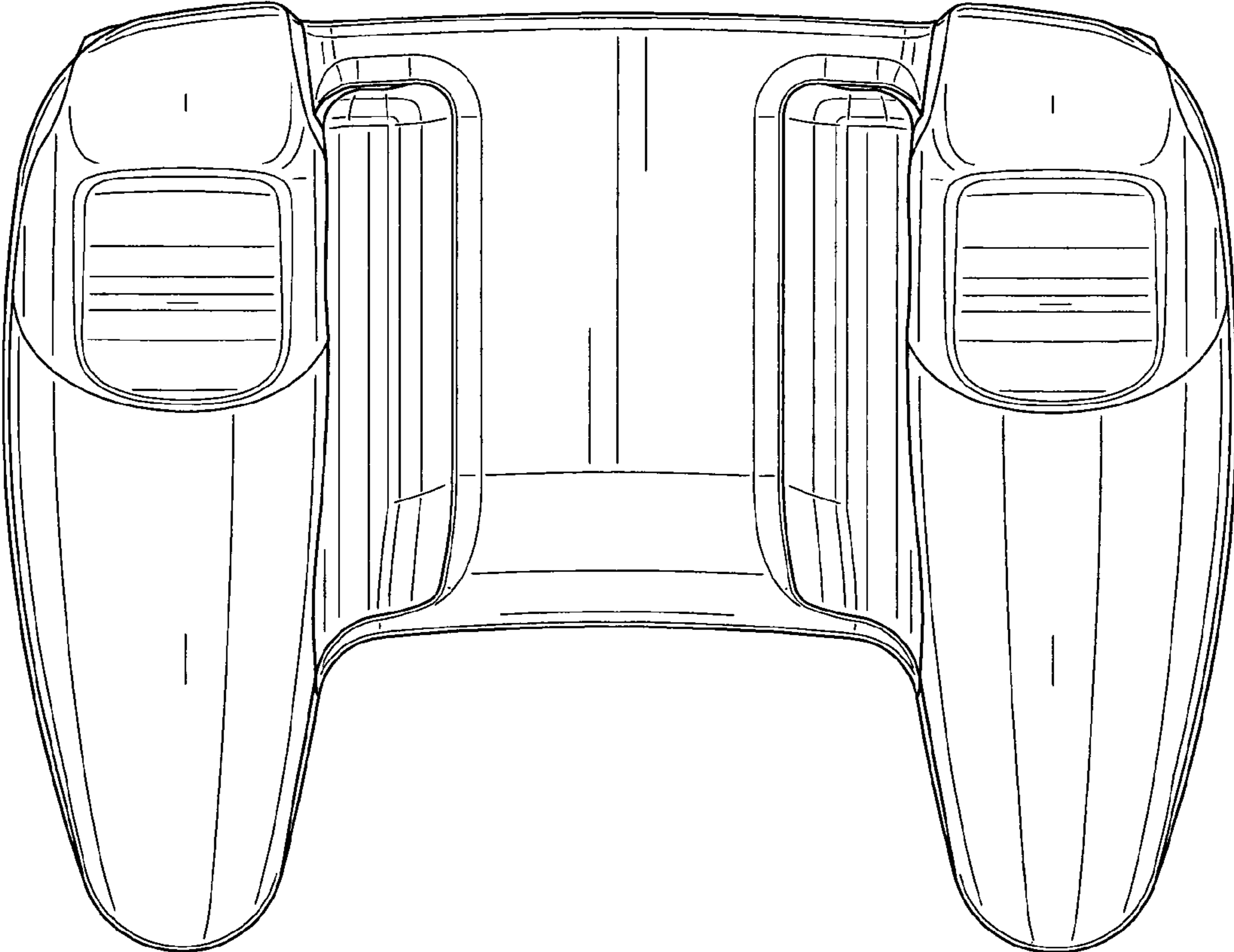


FIG. 3

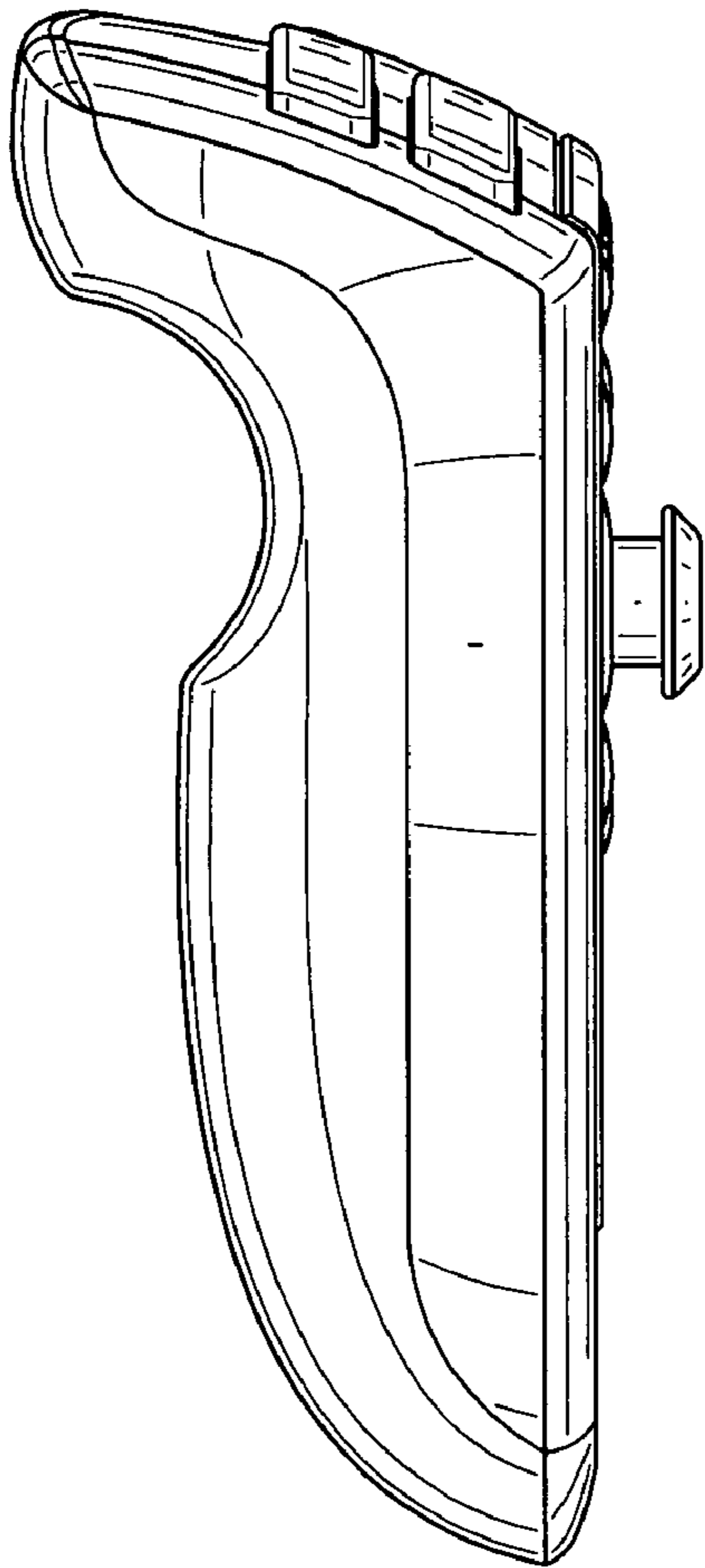


FIG. 4

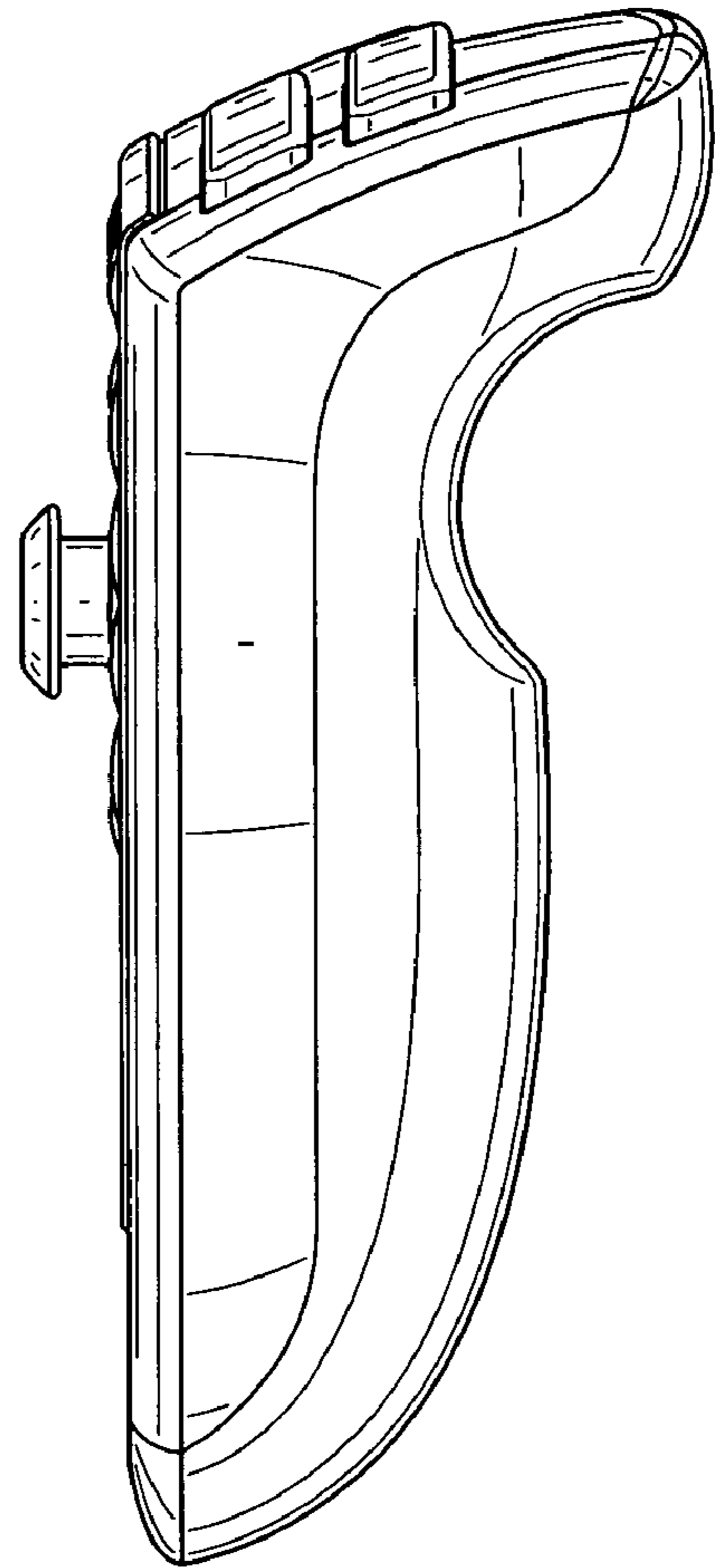


FIG. 5

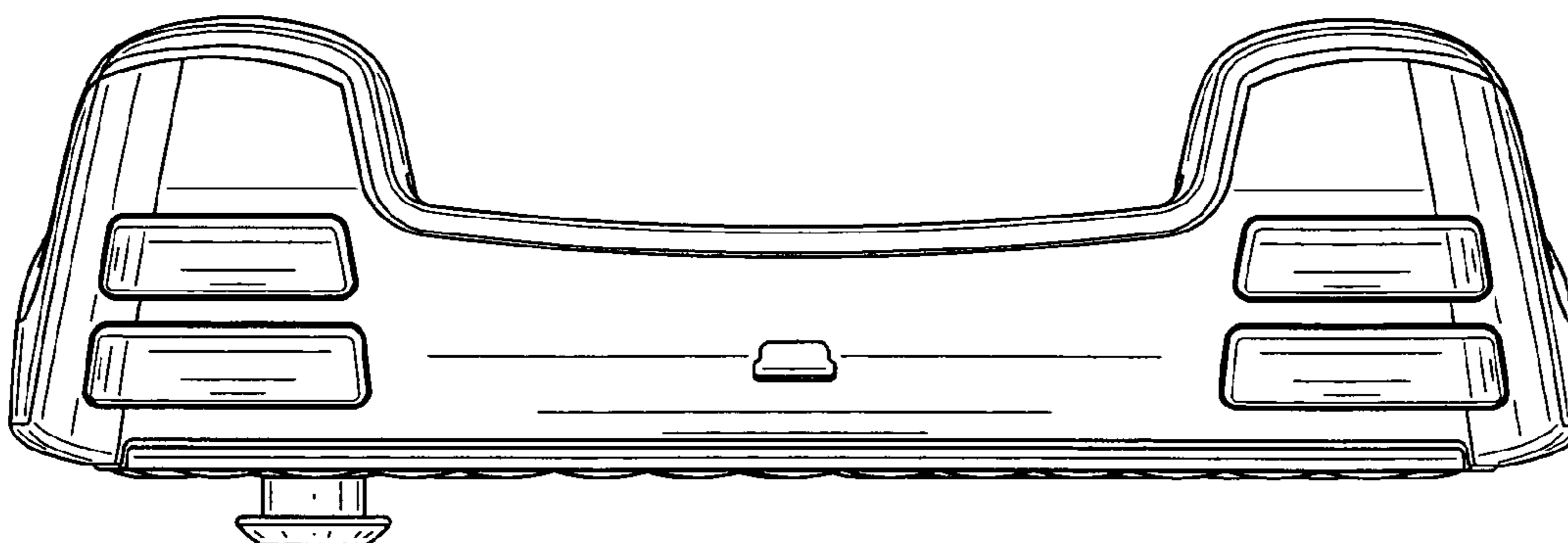


FIG. 6

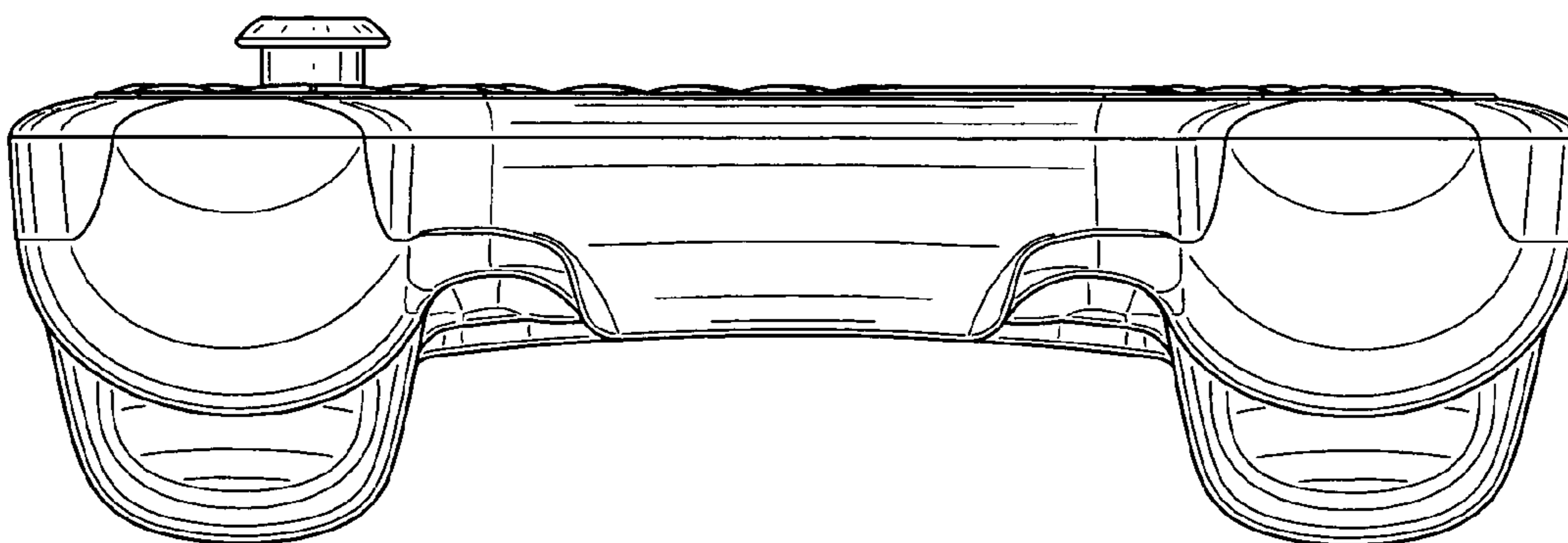


FIG. 7