



US00D658646S

(12) **United States Design Patent**
Akana et al.

(10) **Patent No.:** **US D658,646 S**

(45) **Date of Patent:** **** May 1, 2012**

(54) **ELECTRONIC DEVICE**

(75) Inventors: **Jody Akana**, San Francisco, CA (US);
Bartley K. Andre, Menlo Park, CA (US);
Jeremy Bataillou, San Francisco, CA (US);
Daniel J. Coster, San Francisco, CA (US);
Daniele De Iuliis, San Francisco, CA (US);
Evans Hankey, San Francisco, CA (US);
Richard P. Howarth, San Francisco, CA (US);
Jonathan P. Ive, San Francisco, CA (US);
Duncan Robert Kerr, San Francisco, CA (US);
Shin Nishibori, Portola Valley, CA (US);
Matthew Dean Rohrbach, San Francisco, CA (US);
Peter Russell-Clarke, San Francisco, CA (US);
Christopher J. Stringer, Woodside, CA (US);
Eugene Antony Whang, San Francisco, CA (US);
Rico Zorkendorfer, San Francisco, CA (US)

(73) Assignee: **Apple Inc.**, Cupertino, CA (US)

(**) Term: **14 Years**

(21) Appl. No.: **29/363,951**

(22) Filed: **Jun. 16, 2010**

(51) **LOC (9) Cl.** **14-02**

(52) **U.S. Cl.** **D14/336; D14/374**

(58) **Field of Classification Search** D14/371-376,
D14/125-129, 336, 337; 248/917-924, 371,
248/121, 176.1, 278.1; 341/12; 345/104,
345/156, 173, 174, 901-905; 348/180, 184,
348/352, 739; 349/1, 2, 11, 62; 361/679.08
See application file for complete search history.

(56) **References Cited**

U.S. PATENT DOCUMENTS

D454,352 S	3/2002	Love et al.	
6,837,469 B2 *	1/2005	Wu et al.	248/278.1
D504,889 S	5/2005	Andre et al.	
D520,006 S	5/2006	Chen et al.	
D521,996 S *	5/2006	Kim et al.	D14/375
D537,079 S *	2/2007	Park	D14/375
D541,799 S	5/2007	Andre et al.	

7,232,098 B2	6/2007	Rawlings et al.	
D545,820 S	7/2007	Won et al.	
D548,708 S *	8/2007	Park et al.	D14/126
D584,258 S *	1/2009	Yang et al.	D14/126
D598,446 S	8/2009	Pan et al.	
D600,696 S	9/2009	Andre et al.	
D604,292 S	11/2009	Andre et al.	

(Continued)

OTHER PUBLICATIONS

U.S. Appl. No. 29/345,575 entitled "Electronic Device", as amended May 21, 2010 (originally filed Oct. 19, 2009).

(Continued)

Primary Examiner — Freda S Nunn

(74) *Attorney, Agent, or Firm* — SAIDMAN DesignLaw Group

(57) **CLAIM**

The ornamental design for an electronic device, as shown and described.

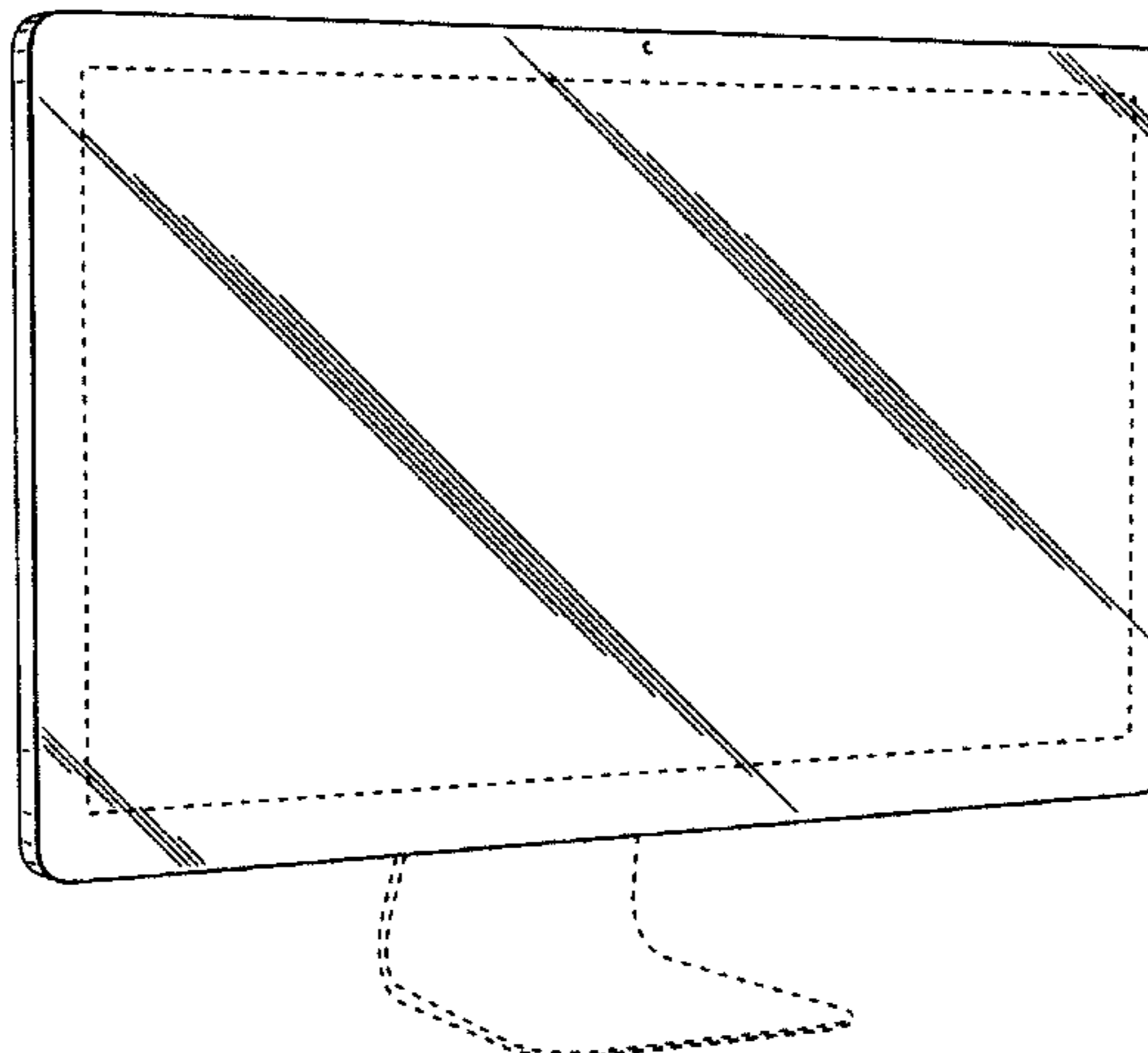
DESCRIPTION

FIG. 1 is a front perspective view of an electronic device showing our new design;
FIG. 2 is a front view thereof;
FIG. 3 is a left side view thereof;
FIG. 4 is a right side view thereof;
FIG. 5 is a top view thereof;
FIG. 6 is a bottom view thereof;
FIG. 7 is a rear view thereof;
FIG. 8 is a rear perspective view thereof;
FIG. 9 is a bottom view shown with the stand removed; and,
FIG. 10 is a section view taken along line 10-10 of FIG. 3.
The dashed broken lines are for the purpose of illustrating portions of the electronic device and form no part of the claimed design.

The closely spaced parallel diagonal shade lines on FIGS. 1-2 indicate translucency.

The relatively light gray shade lines on FIGS. 3-9 indicate contour and not surface decoration.

1 Claim, 8 Drawing Sheets



US D658,646 S

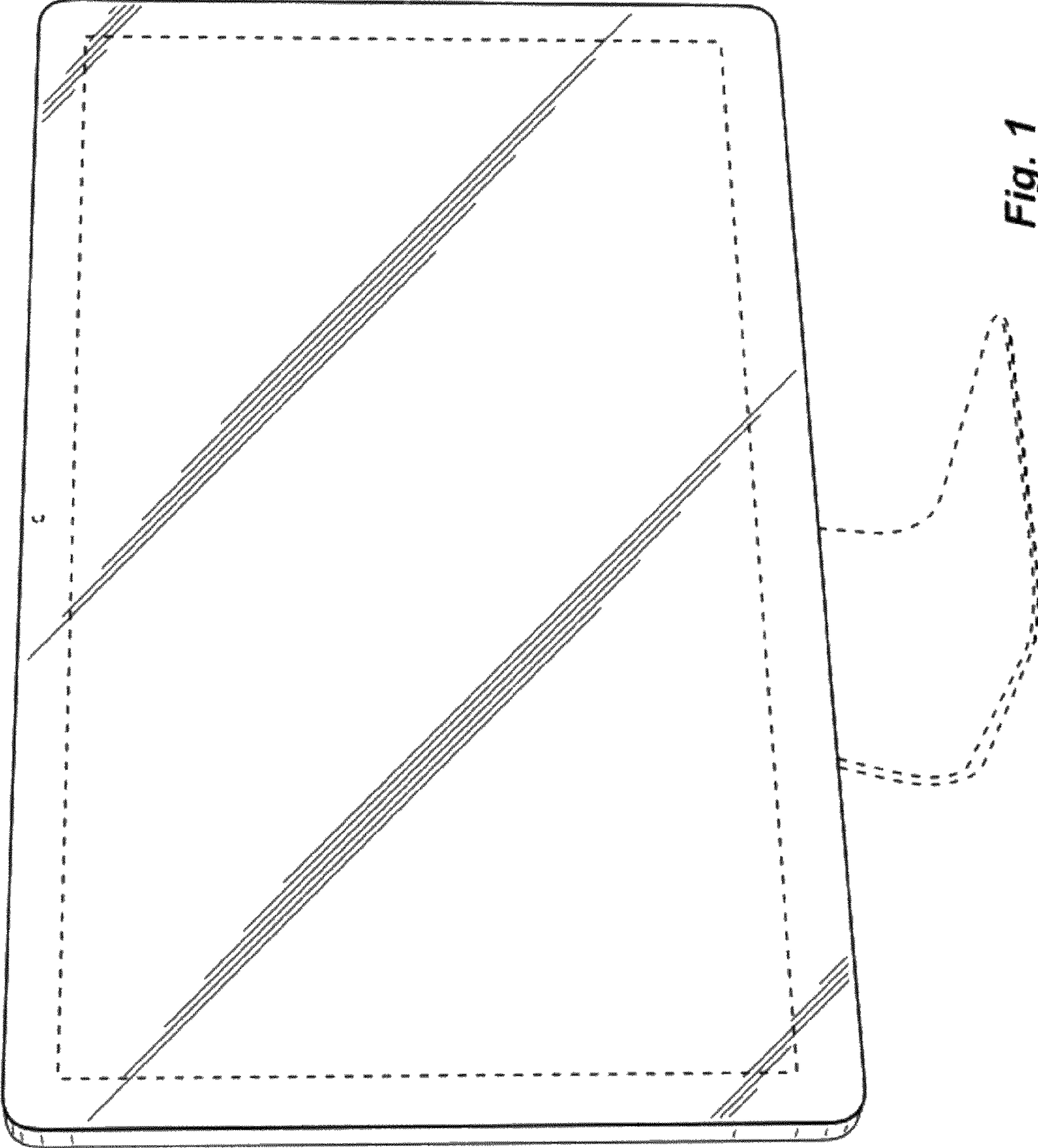
Page 2

U.S. PATENT DOCUMENTS

D605,193 S 12/2009 Andre et al.
D609,658 S * 2/2010 Kim et al. D14/126
D609,705 S 2/2010 Andre et al.
D610,138 S 2/2010 Andre et al.
D611,469 S 3/2010 Andre et al.
D618,241 S 6/2010 Akana et al.
D621,824 S 8/2010 Andre et al.
2003/0058372 A1* 3/2003 Williams et al. 348/836

OTHER PUBLICATIONS

U.S. Appl. No. 29/345,580 entitled "Electronic Device", filed Oct. 19, 2009.
U.S. Appl. No. 29/355,762 entitled "Monitor", as amended Jul. 14, 2010 (originally filed Feb. 12, 2010).
* cited by examiner



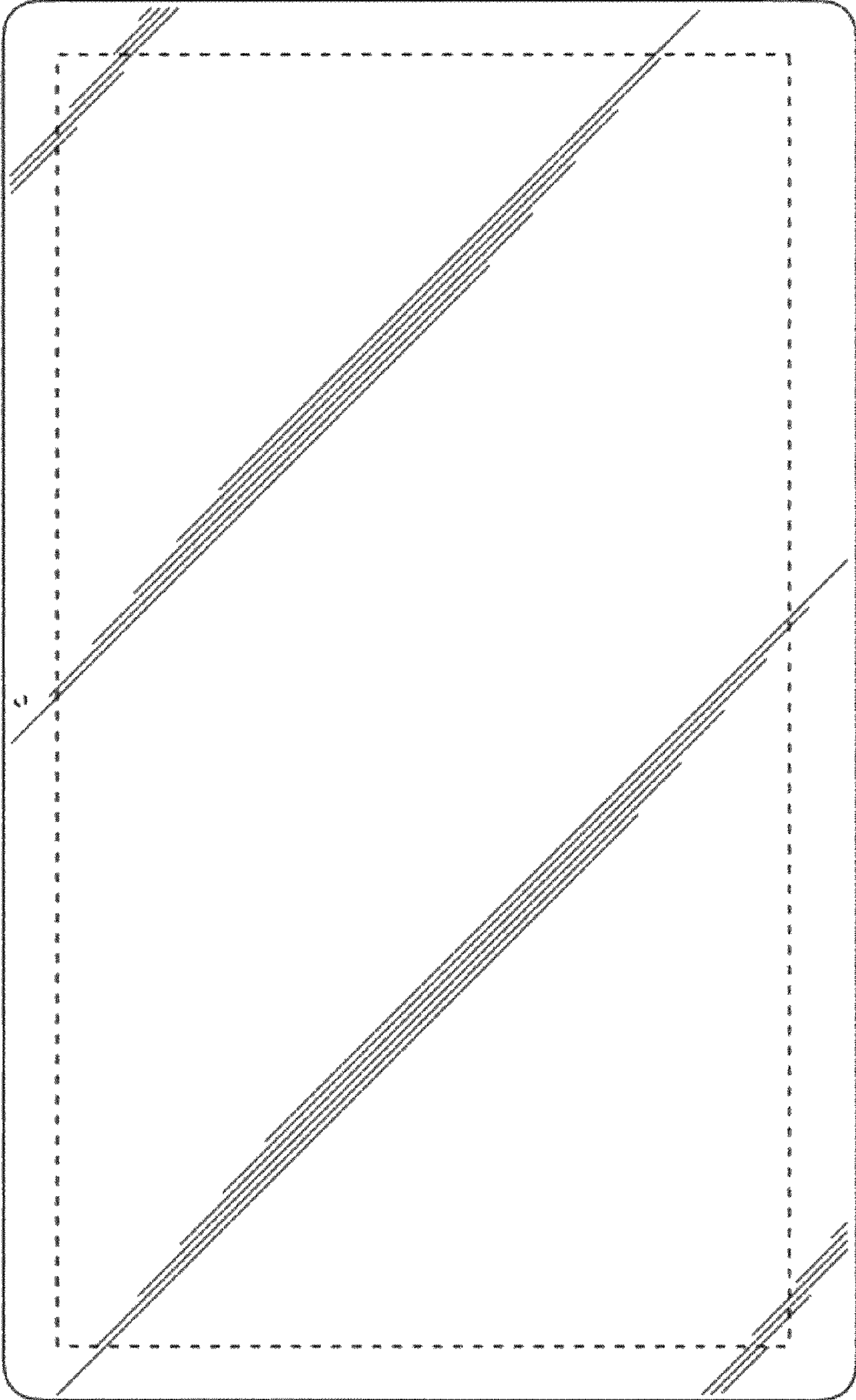


Fig. 2

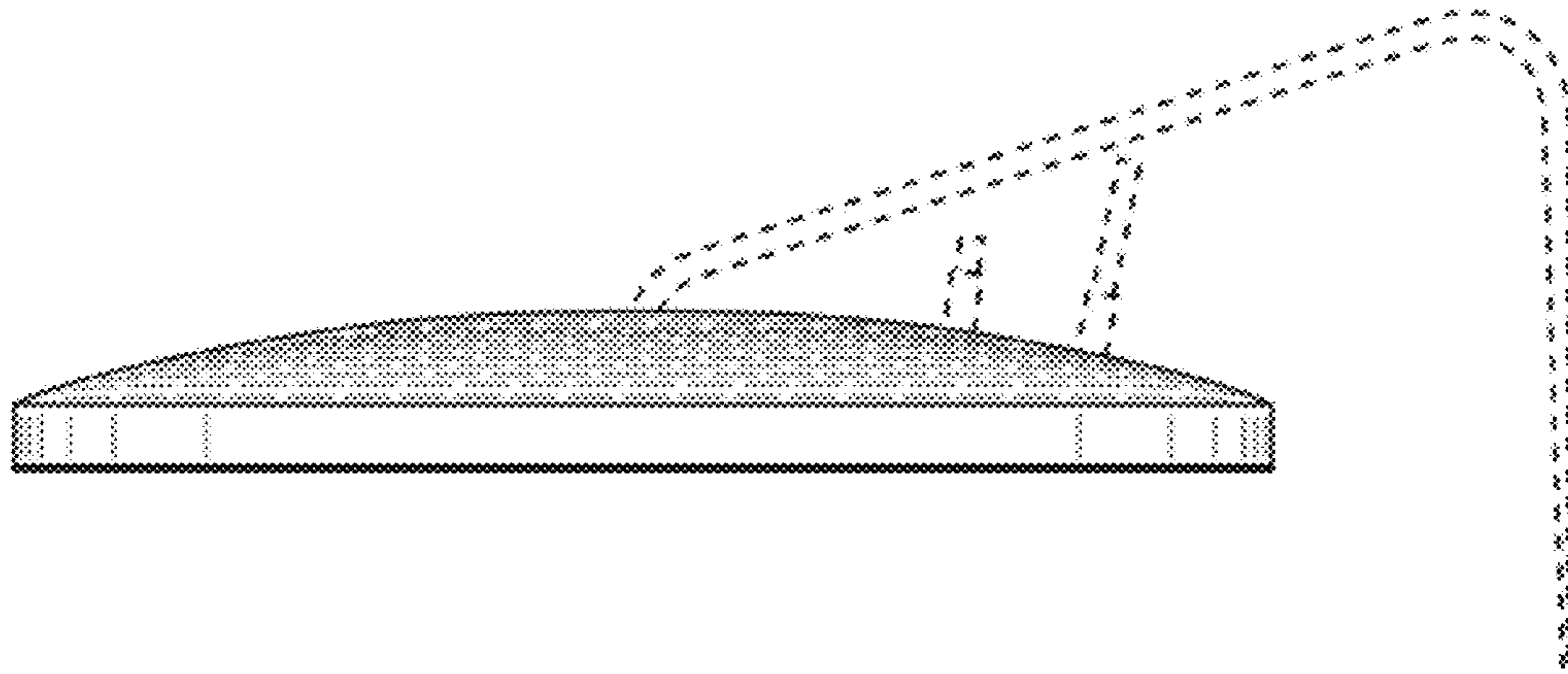


Fig. 3

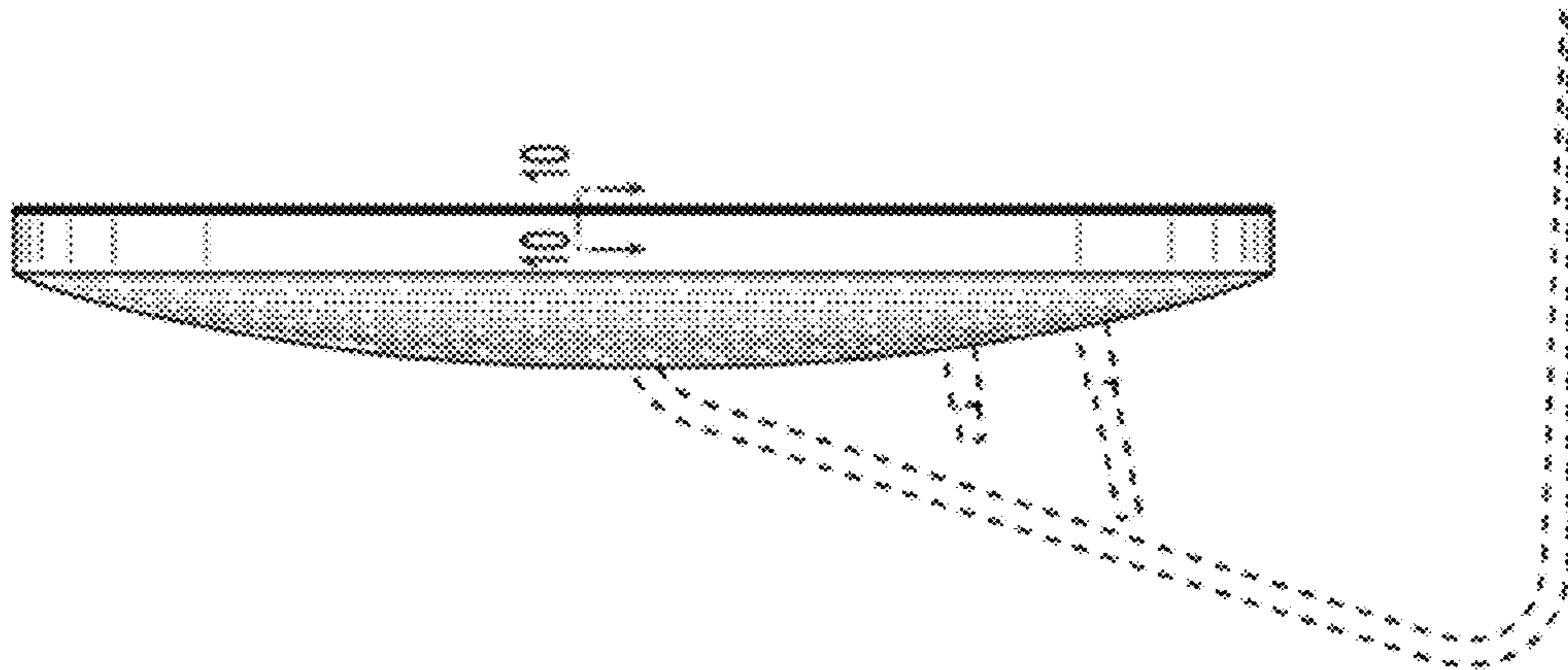


Fig. 4

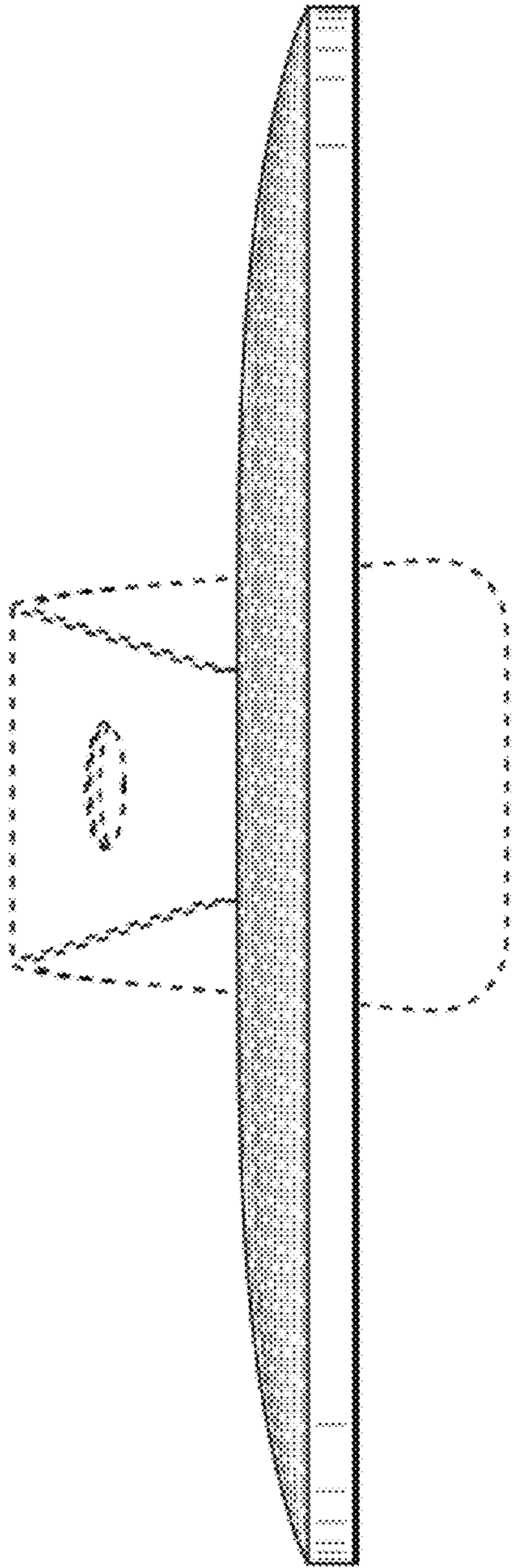


Fig. 5

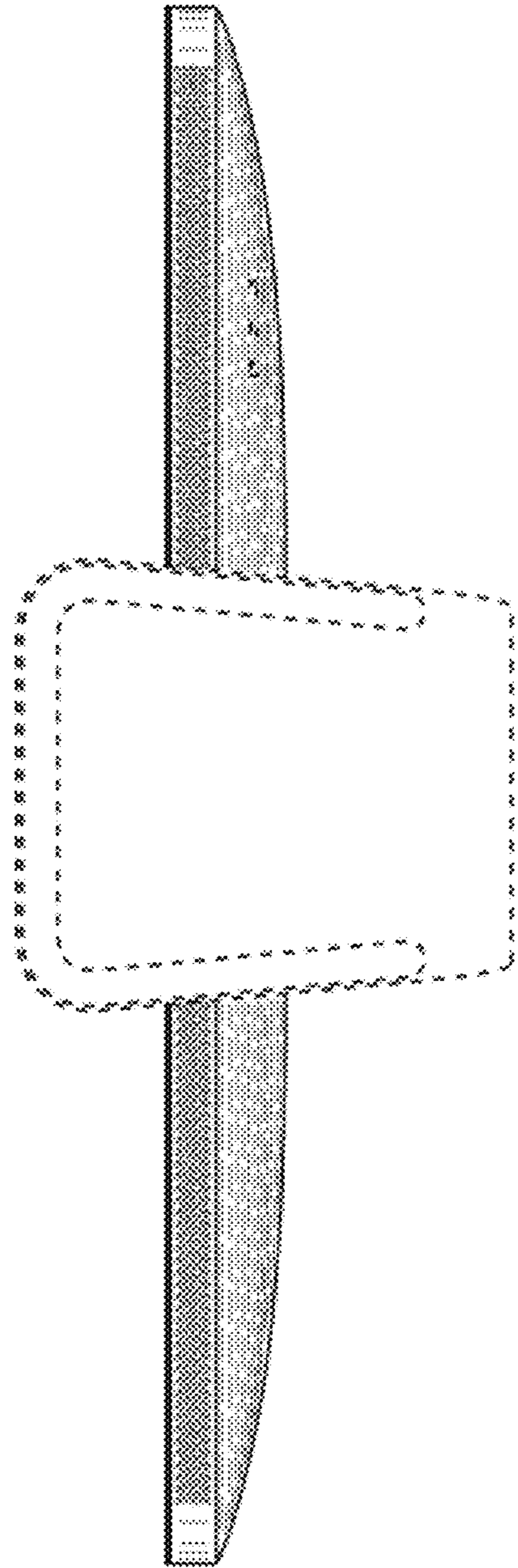


Fig. 6

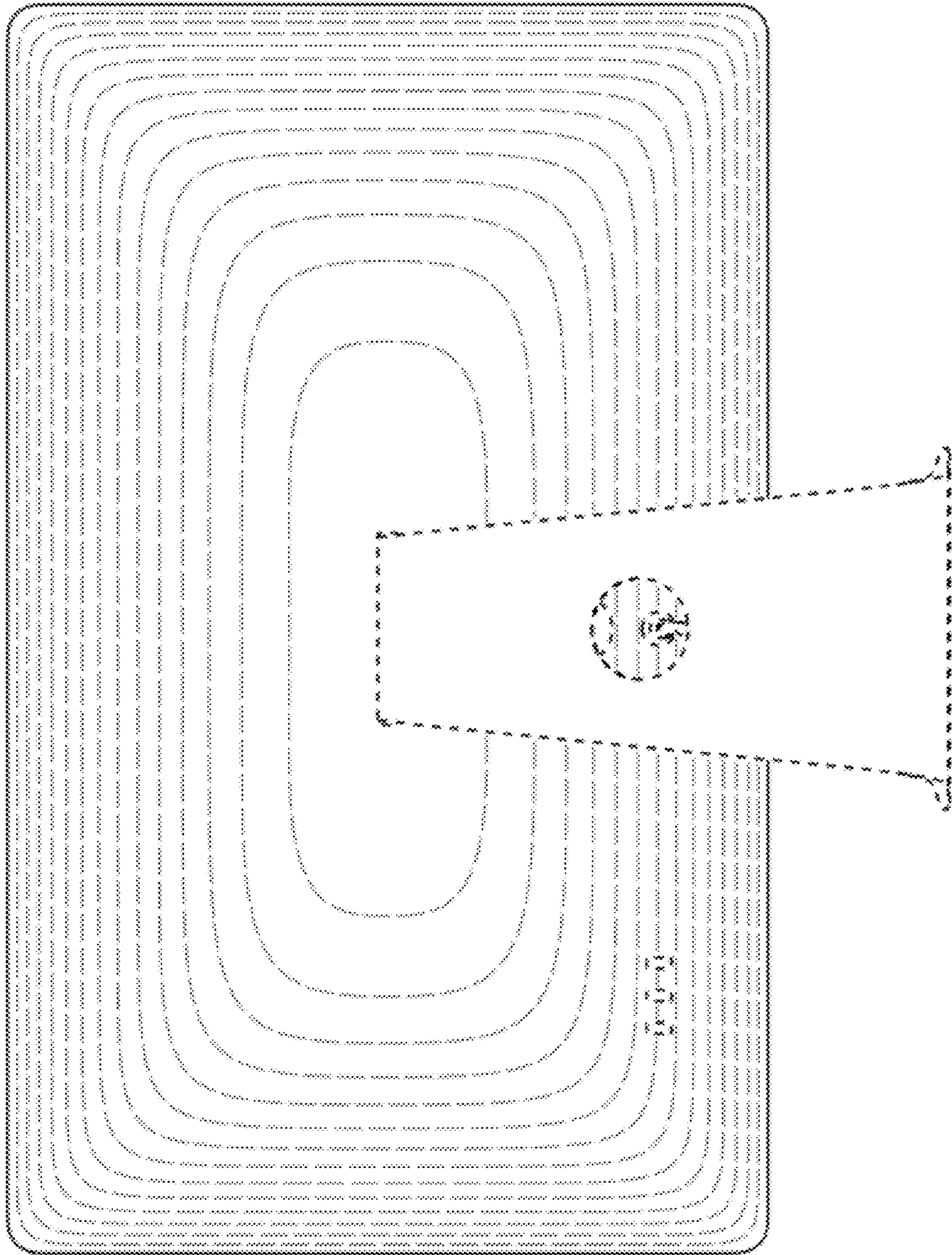


Fig. 7

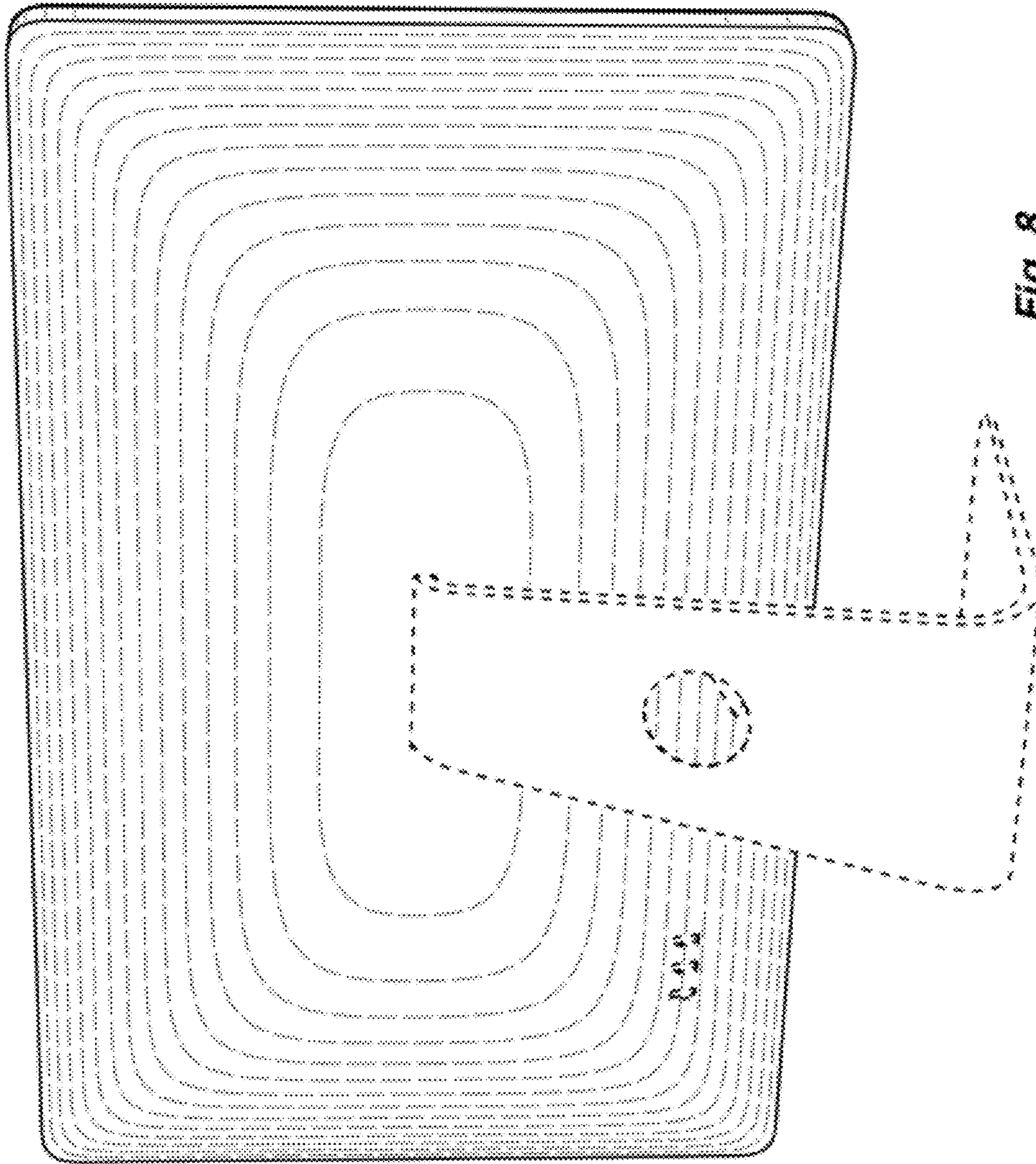


Fig. 8

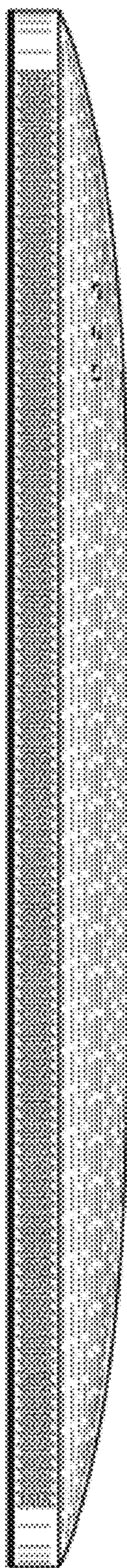


Fig. 9

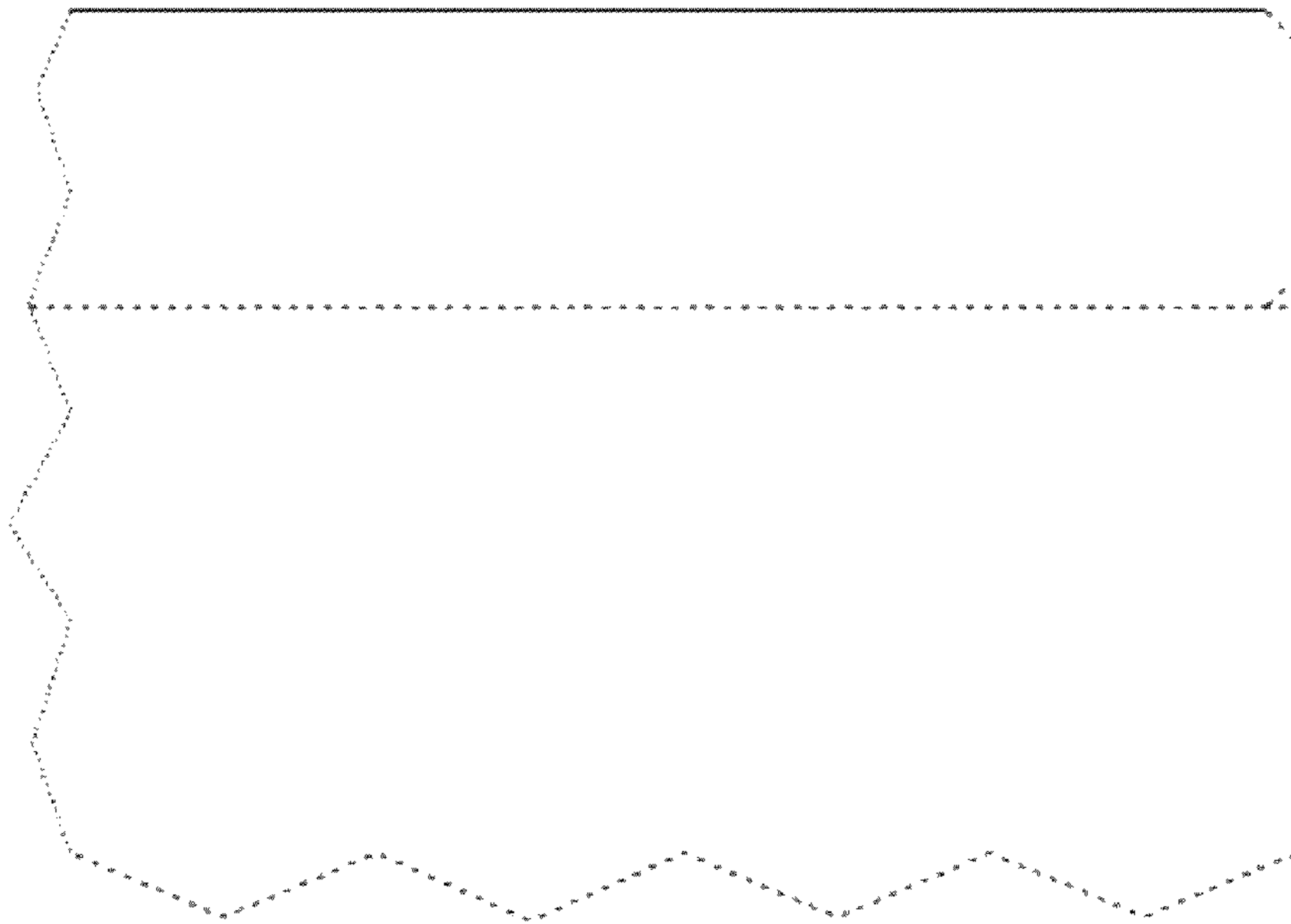


Fig. 10