

US00D658642S

(12) **United States Design Patent**
Fahrendorff et al.

(10) **Patent No.:** **US D658,642 S**
(45) **Date of Patent:** **** May 1, 2012**

(54) **HANDHELD ELECTRONIC DEVICE SKIN**

(75) Inventors: **Anders Fahrendorff**, Ottawa (CA); **Ian James Murchison**, Toronto (CA); **Todd Nelson Sinclair**, Waterloo (CA)

(73) Assignee: **Research In Motion Limited**, Waterloo, Ontario (CA)

(**) Term: **14 Years**

(21) Appl. No.: **29/394,389**

(22) Filed: **Jun. 16, 2011**

(51) **LOC (9) Cl.** **14-03**

(52) **U.S. Cl.** **D14/250**

(58) **Field of Classification Search** D14/250–253,
D14/440, 203.3–203.7, 217, 496, 248, 238.1;
D3/201, 218, 269, 301, 273, 303; D13/103,
D13/107–108; 220/4.02; 248/309.1; 361/679.56;
379/426, 433.11, 455; 455/575.1, 575.8;
190/100; 206/305, 320

See application file for complete search history.

(56) **References Cited**

U.S. PATENT DOCUMENTS

6,415,138	B2 *	7/2002	Sirola et al.	455/90.1
D600,908	S *	9/2009	Richardson et al.	D3/218
D615,077	S *	5/2010	Richardson et al.	D14/250
D615,967	S *	5/2010	Richardson et al.	D14/250
D617,785	S *	6/2010	Richardson et al.	D14/250
D617,786	S *	6/2010	Richardson et al.	D14/250
D618,231	S *	6/2010	Fahrendorff et al.	D14/250
D620,487	S *	7/2010	Richardson et al.	D14/250
D621,394	S *	8/2010	Richardson et al.	D14/250
D621,822	S *	8/2010	Richardson et al.	D14/250
D623,179	S *	9/2010	Richardson et al.	D14/250
D624,533	S *	9/2010	Richardson et al.	D14/250
D632,684	S *	2/2011	Richardson et al.	D14/250
D638,007	S *	5/2011	Chang	D14/250
D638,413	S *	5/2011	Magness et al.	D14/250
D638,830	S *	5/2011	Magness et al.	D14/250
D640,680	S *	6/2011	Magness et al.	D14/250
D641,012	S *	7/2011	Fahrendorff et al.	D14/250
D643,029	S *	8/2011	Feng	D14/250

D644,635	S *	9/2011	Richardson et al.	D14/250
D645,031	S *	9/2011	Richardson et al.	D14/250
D648,717	S *	11/2011	Fahrendorff et al.	D14/250
2009/0036175	A1 *	2/2009	Brandenburg et al.	455/575.1
2009/0080153	A1 *	3/2009	Richardson et al.	361/679.56

OTHER PUBLICATIONS

OtterBox Defender Series Case for BlackBerry Curve 9350/9360/9370, <URL:http://demandware.edgesuite.net/aez_prd/on/demandware.static/Sites-otterbox_us-Site/Sites-masterCatalog_OtterBox/default/v1322820353721/PDFS/rbb2-crv93-info.pdf>, retrieved from internet Dec. 17, 2011.*

OtterBox Impact Series Silicone Case Black for BlackBerry Curve 9350/9360/9370, in GoCellular Catalogue since Sep. 21, 2011, <URL:http://www.gocellular.ca/?item=ot3217>, retrieved from internet Dec. 17, 2011.*

Case-mate Barely There Case BlackBerry Curve 9350/9360/9370, <URL:http://www.expansys-usa.com/case-mate-blackberry-curve-9350-9260-9370-barely-there-case-black-223694/>, retrieved from internet Dec. 17, 2011.*

* cited by examiner

Primary Examiner — Carla Wright

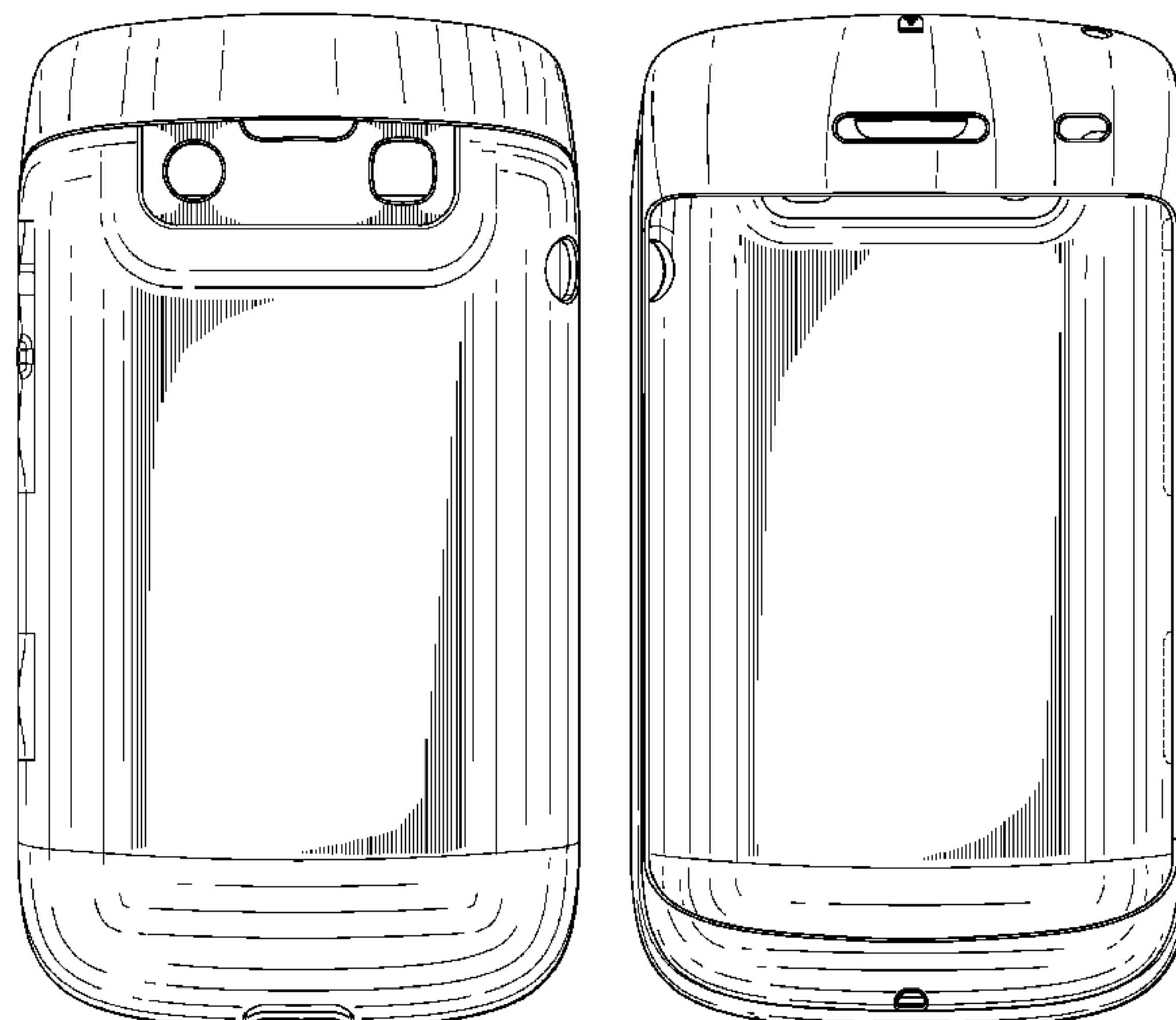
(57) **CLAIM**

We claim the ornamental design for a handheld electronic device skin, as shown and described.

DESCRIPTION

FIG. 1 is a back left perspective view of a handheld electronic device skin;
FIG. 2 is a back elevational view of the handheld electronic device skin;
FIG. 3 is a front elevational view thereof;
FIG. 4 is a right elevational view thereof;
FIG. 5 is a left elevational view thereof;
FIG. 6 is a top plan view thereof;
FIG. 7 is a bottom plan view thereof; and,
FIG. 8 is a back right perspective view thereof.
In the drawing, the broken lines depict unclaimed portions of the handheld electronic device skin. The broken lines form no part of the claimed design.

1 Claim, 6 Drawing Sheets



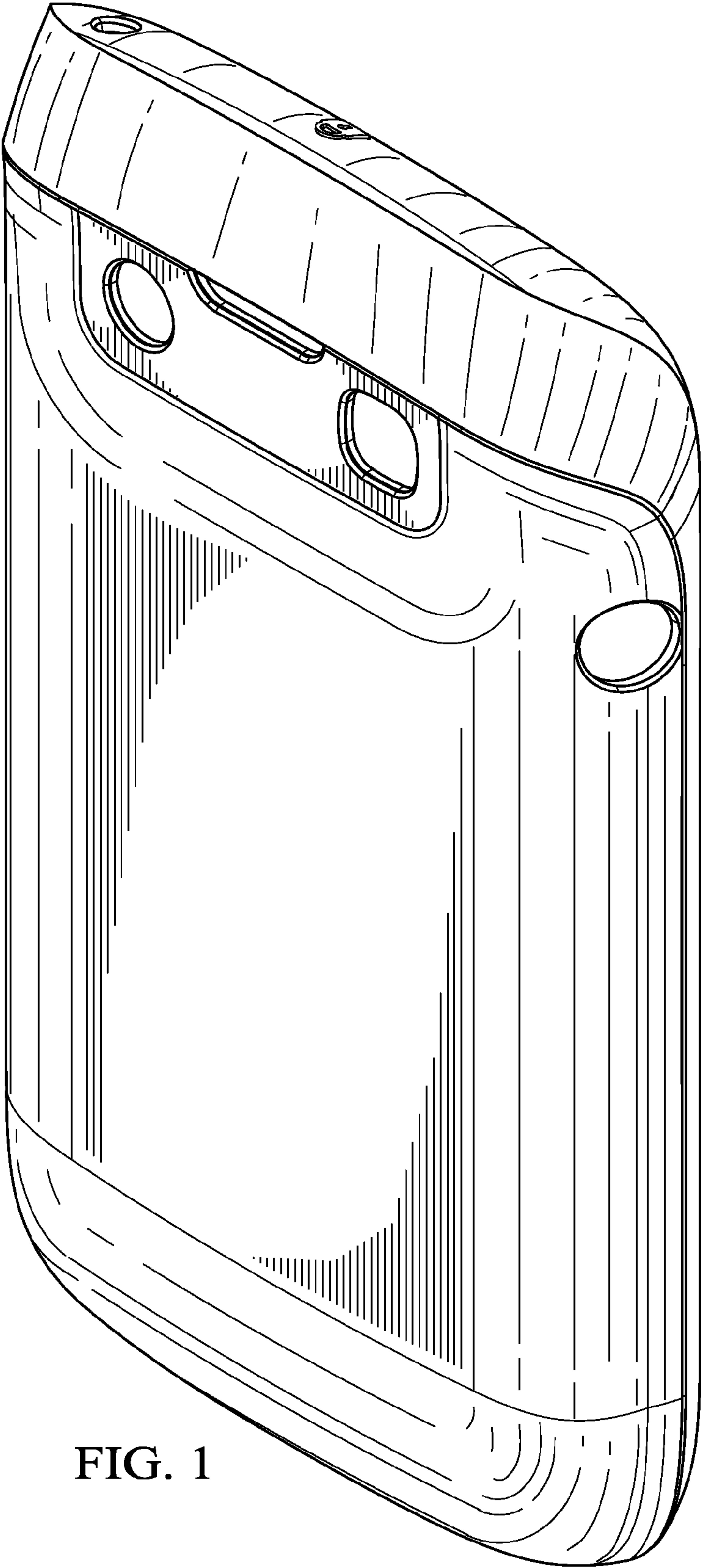


FIG. 1

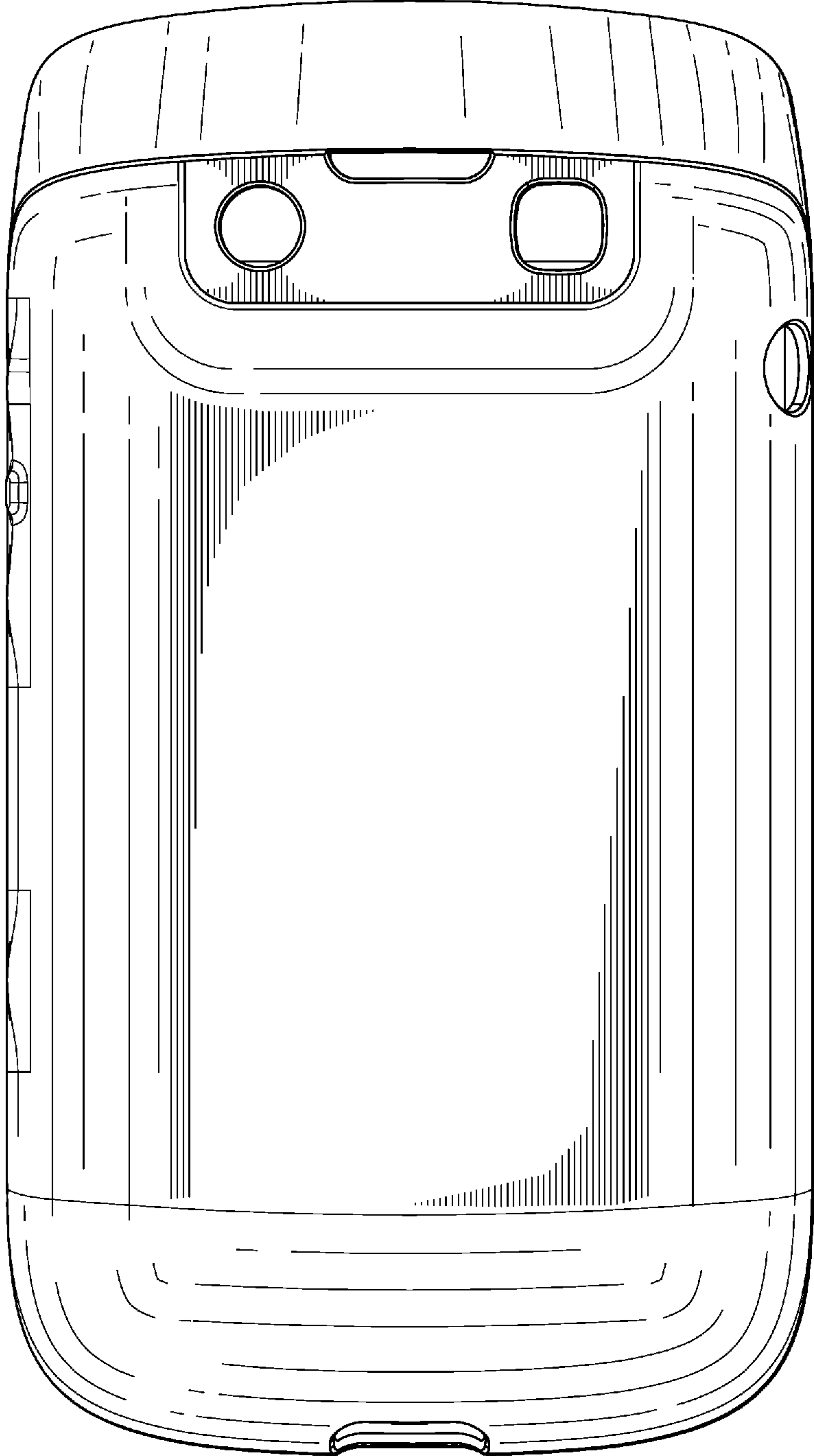


FIG. 2

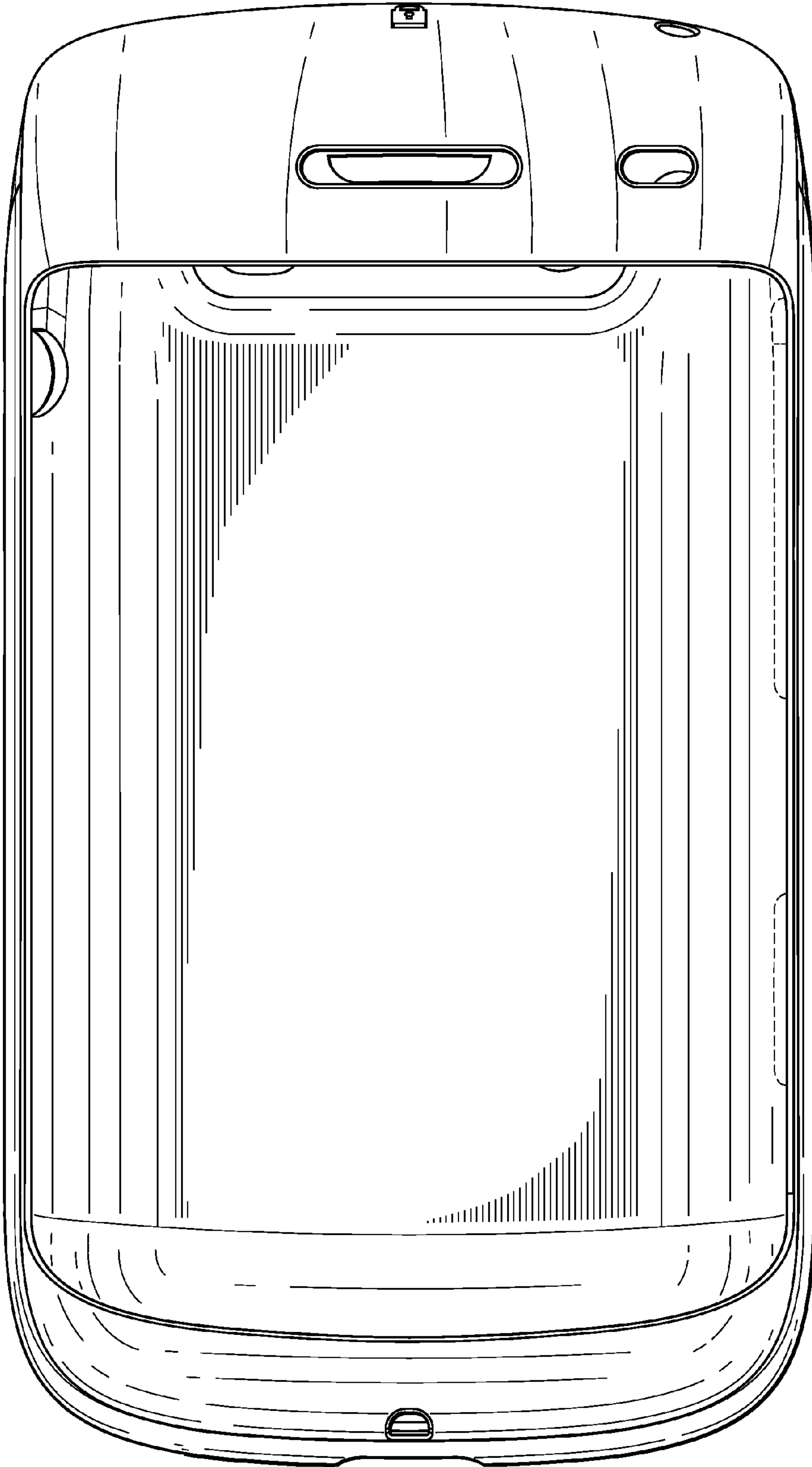


FIG. 3

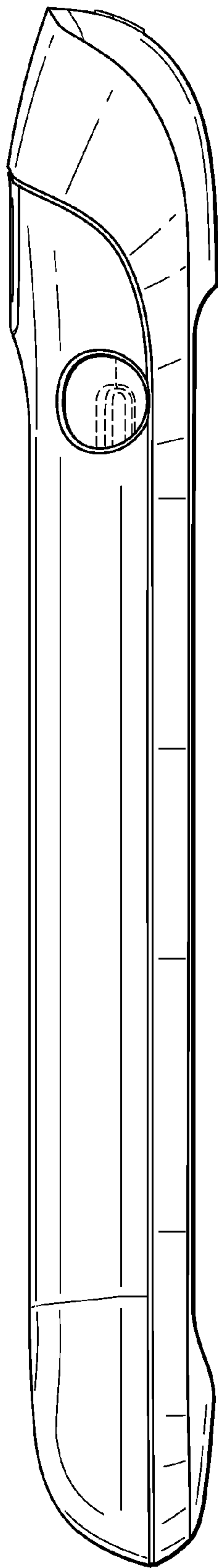


FIG. 4

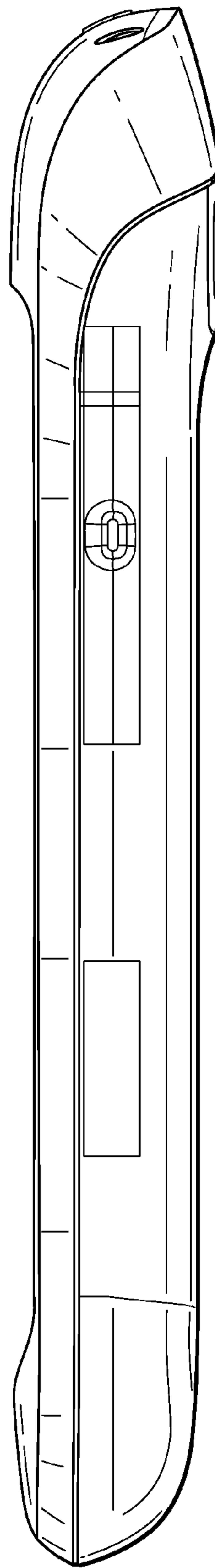


FIG. 5

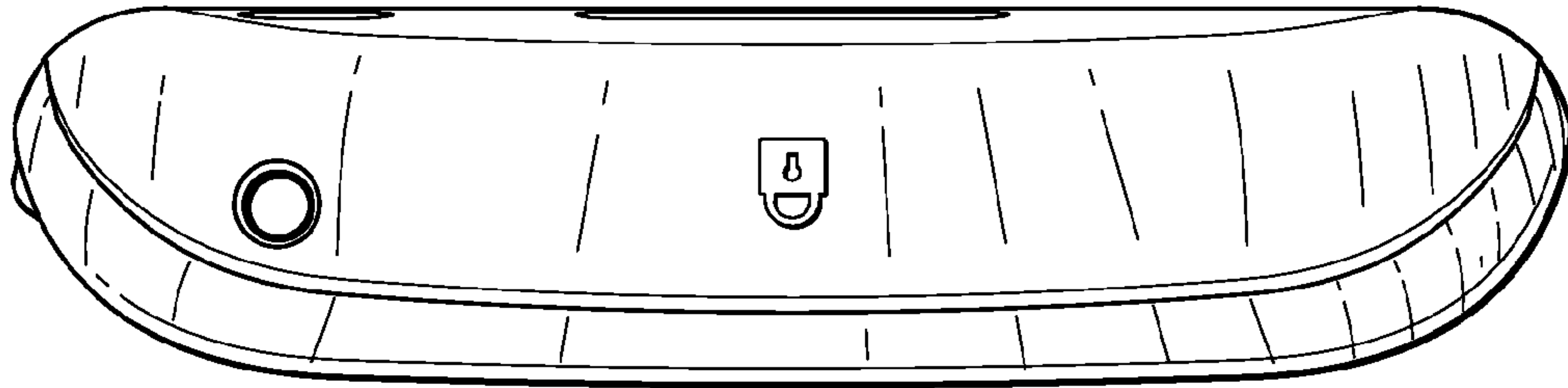


FIG. 6

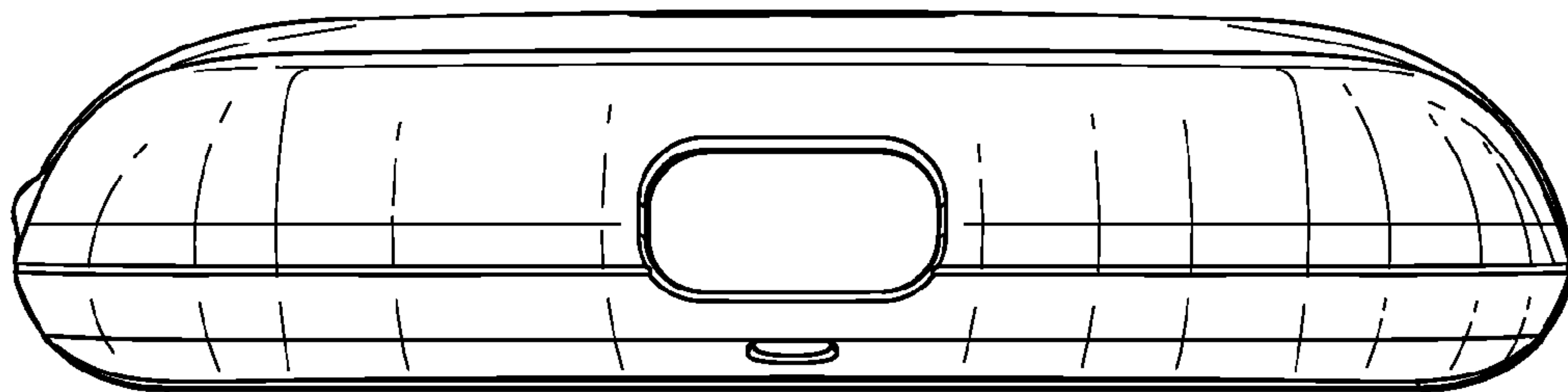


FIG. 7

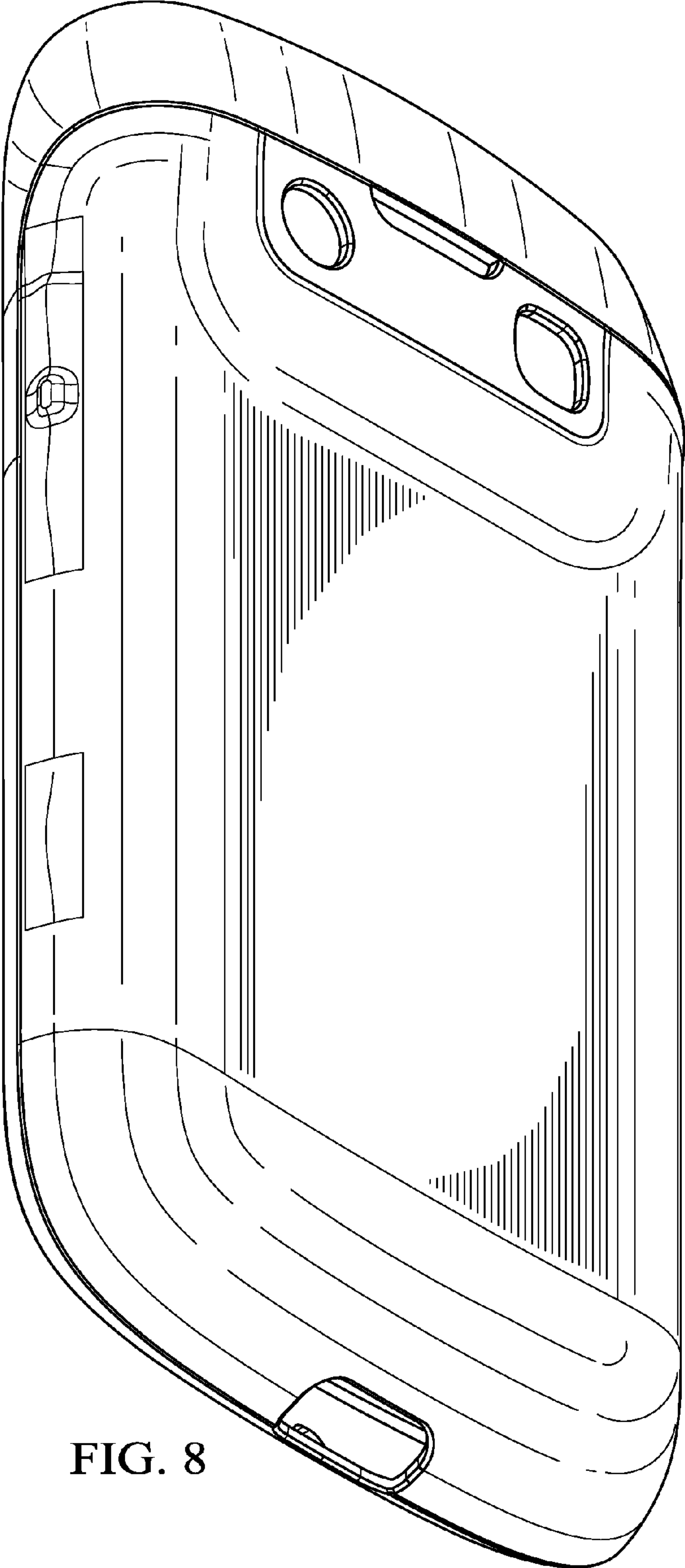


FIG. 8