



US00D658635S

(12) **United States Design Patent**
Hou

(10) **Patent No.:** **US D658,635 S**

(45) **Date of Patent:** **** May 1, 2012**

(54) **BLUETOOTH ADAPTER**

(75) **Inventor:** **Hsiang-Fei Hou, Tu-Cheng (TW)**

(73) **Assignee:** **Cheng Uei Precision Industry Co., Ltd., Tu-Cheng, Taipei Hsien (TW)**

(**) **Term:** **14 Years**

(21) **Appl. No.:** **29/361,207**

(22) **Filed:** **May 6, 2010**

(51) **LOC (9) Cl.** **14-03**

(52) **U.S. Cl.** **D14/218; D14/435.1**

(58) **Field of Classification Search** D14/411,
D14/433, 435.1, 436, 455, 480.1–480.7, 484.1,
D14/137, 203.1–203.8, 218, 240; D13/133,
D13/154, 168; D21/566; D10/104, 106;
710/300, 301; 439/131, 135–147; 345/169;
348/14.05, 114, 734; 341/22; 455/92, 95,
455/128, 151.1–151.4, 352, 355, FOR. 121;
700/65

See application file for complete search history.

(56) **References Cited**

U.S. PATENT DOCUMENTS

D306,853 S *	3/1990	Mayo et al.	D13/168
D316,847 S *	5/1991	Rowen et al.	D13/168
D470,848 S *	2/2003	Morooka	D14/433
D471,535 S *	3/2003	Bey	D14/218
D512,381 S *	12/2005	Sirichai et al.	D13/154
D521,995 S *	5/2006	Mehler et al.	D14/480.2
D545,311 S *	6/2007	Wai	D14/480.7
D546,346 S *	7/2007	Miyamori et al.	D14/496
D549,708 S *	8/2007	Phillips et al.	D14/435
D552,592 S *	10/2007	Deguchi	D14/480.7
D577,021 S *	9/2008	Kuang et al.	D14/363
D586,295 S *	2/2009	Zhao et al.	D13/133

D589,463 S *	3/2009	Sykes	D13/169
D593,066 S *	5/2009	Sheba et al.	D14/203.1
D606,549 S *	12/2009	He	D14/480.7
D612,385 S *	3/2010	Aoki	D14/453
D621,843 S *	8/2010	Salzedo	D14/480.7
2009/0210609 A1 *	8/2009	Learmonth et al.	710/316

OTHER PUBLICATIONS

ericbeare.com, [online], [retrieved on Nov. 4, 2009]. Retrieved from the Internet <URL: http://www.ericbeare.com/public/Theme19/Large_Window.asp?page=3&ProductID=A%2D0579>.*

Redismo Fine Products Ltd—Cell Phone Data Cables, Cell Phone Accessories, Computer Accessories, p. 3 [online], [retrieved on Oct. 28, 2008]. Retrieved from the Internet <URL: <http://redismo.trustpass.alibaba.com/>>.*

Sony Ericsson—Products—Accessories—Overview—IM920, p. 1 [online], [retrieved on Nov. 10, 2009]. Retrieved from the Internet <URL:<http://www.sonyericsson.com/cws/products/accessories/overview/im920?undefined>>.*

* cited by examiner

Primary Examiner — Karen E Kearney

(74) *Attorney, Agent, or Firm* — Cheng-Ju Chiang

(57) **CLAIM**

The ornamental design for a bluetooth adapter, as shown and described.

DESCRIPTION

FIG. 1 is a perspective view of a bluetooth adapter showing my new design;

FIG. 2 is a front elevational view thereof;

FIG. 3 is a rear elevational view thereof;

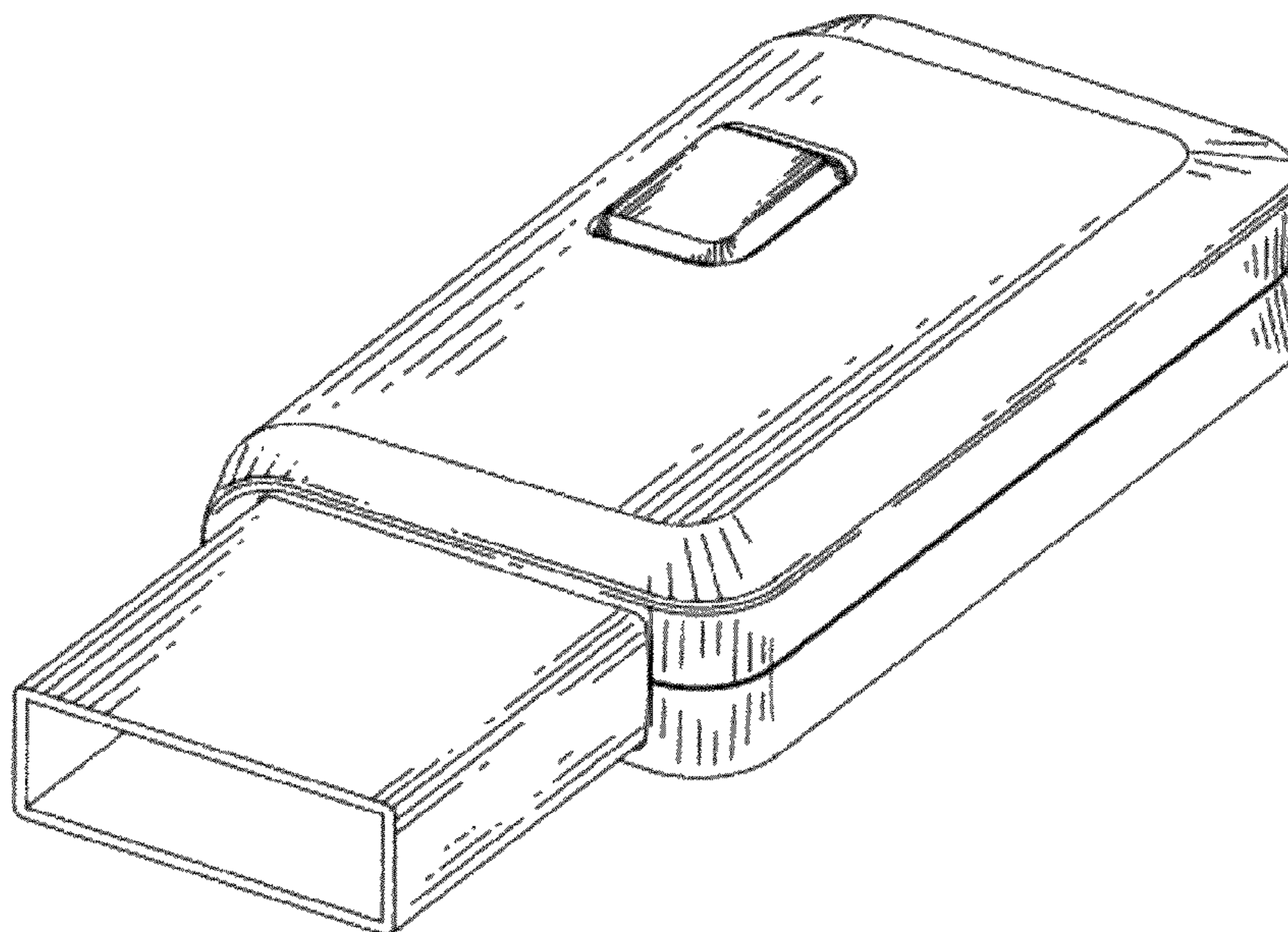
FIG. 4 is a left side elevational view thereof;

FIG. 5 is a right side elevational view thereof;

FIG. 6 is a top plan view thereof; and,

FIG. 7 is a bottom plan view thereof.

1 Claim, 7 Drawing Sheets



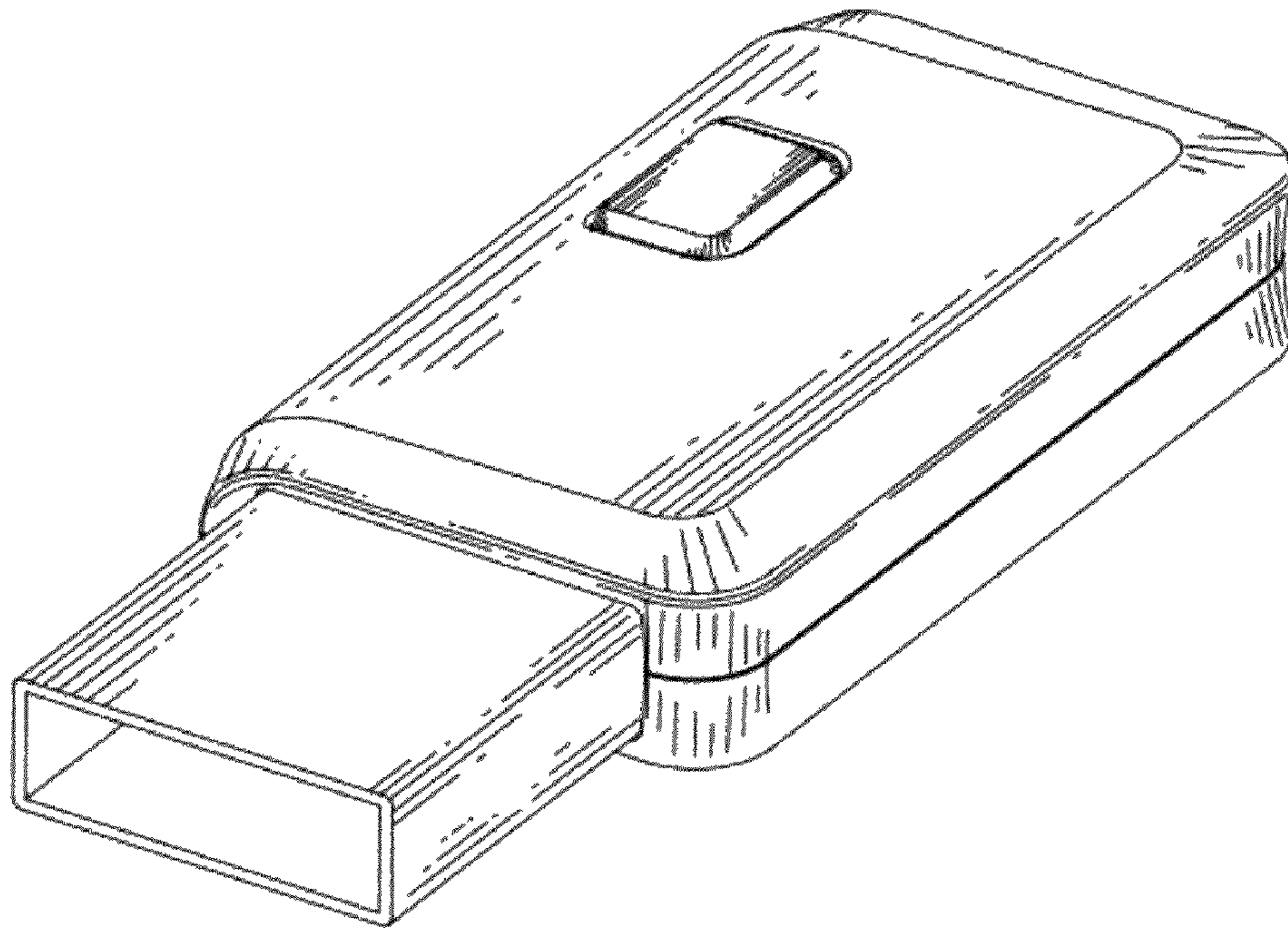


FIG. 1



FIG. 2

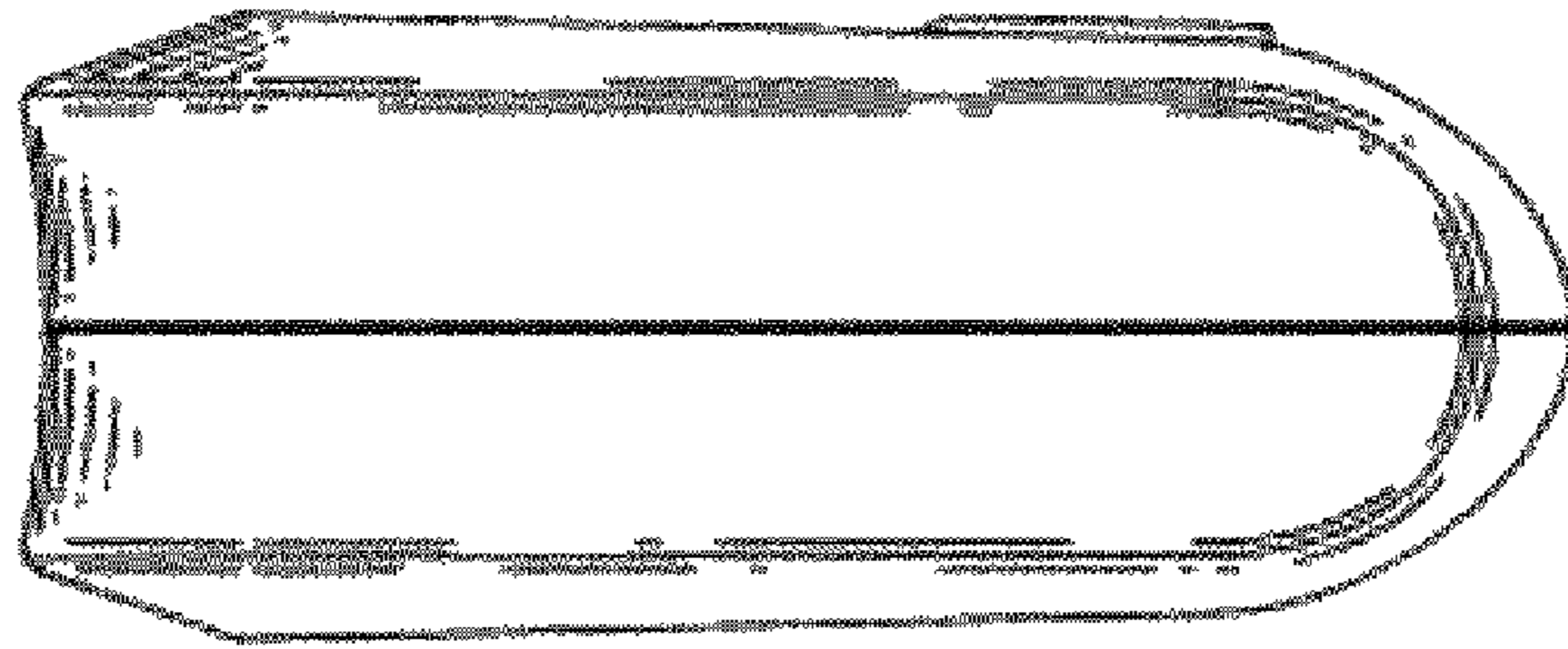


FIG. 3

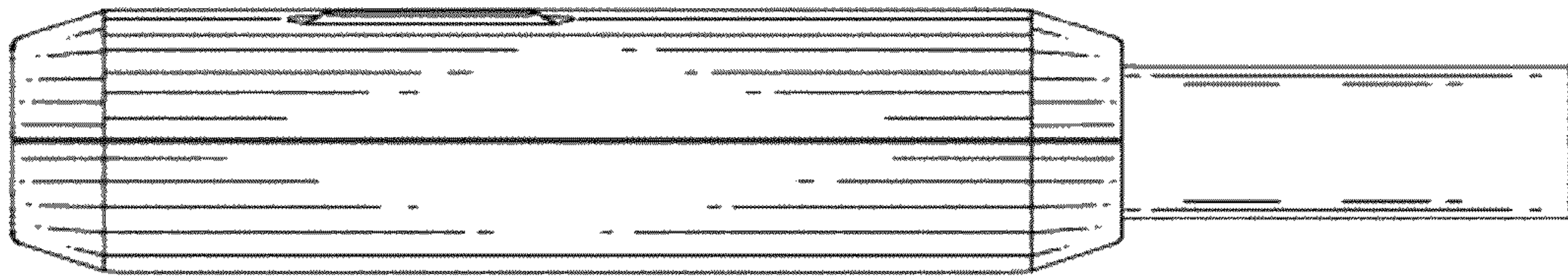


FIG. 4

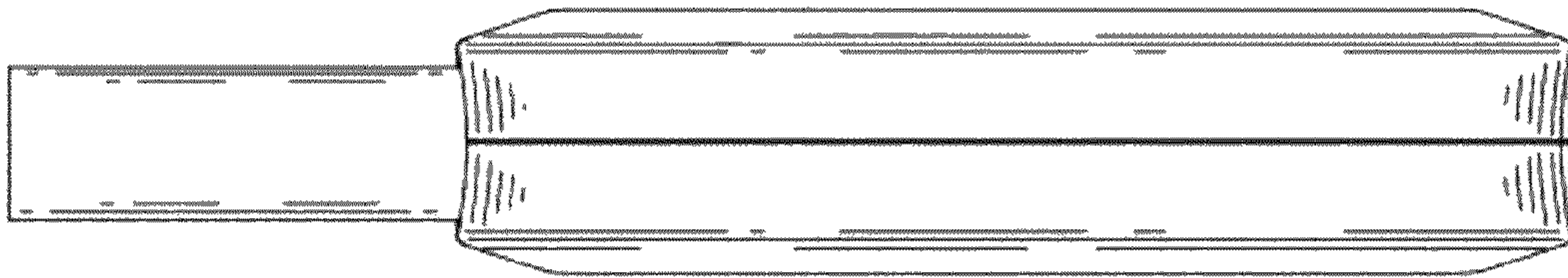


FIG. 5

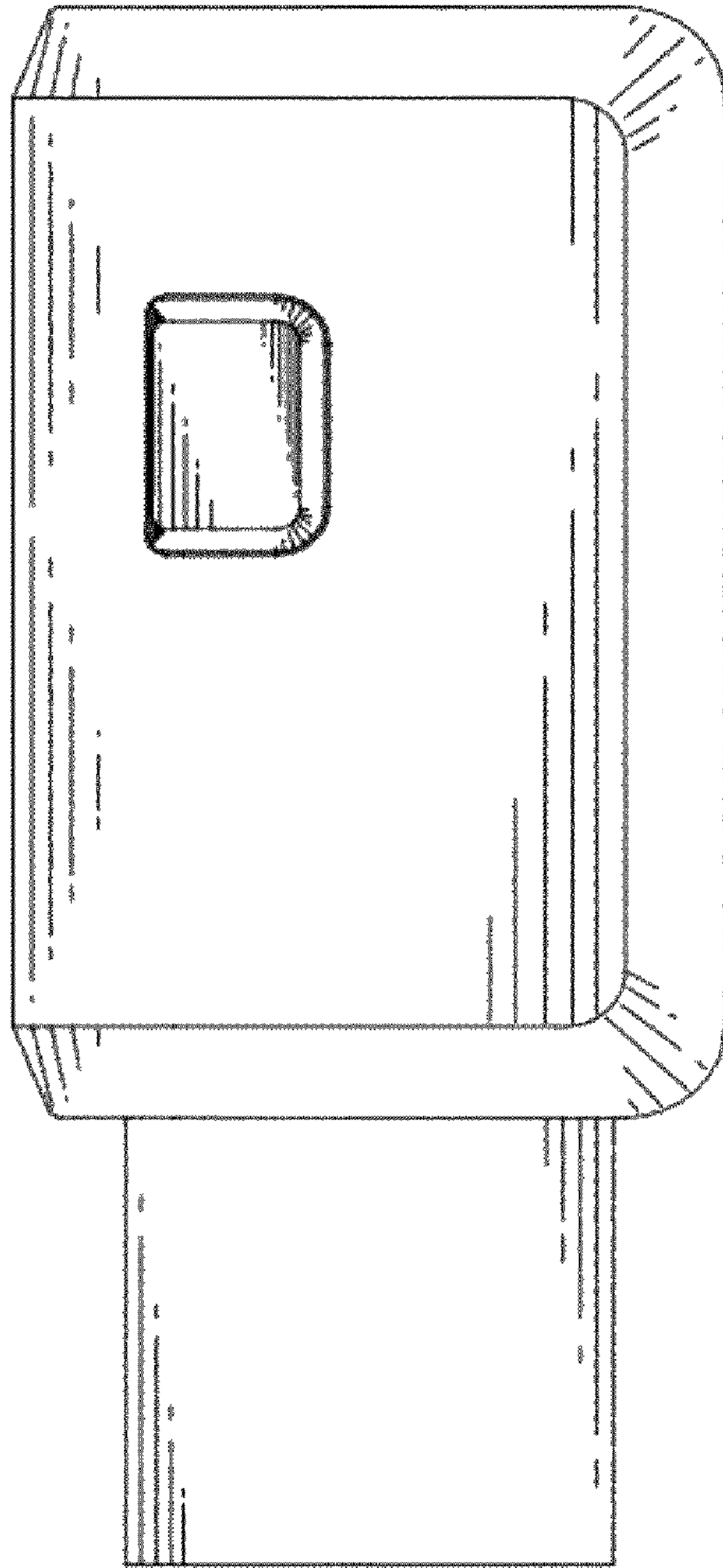


FIG. 6

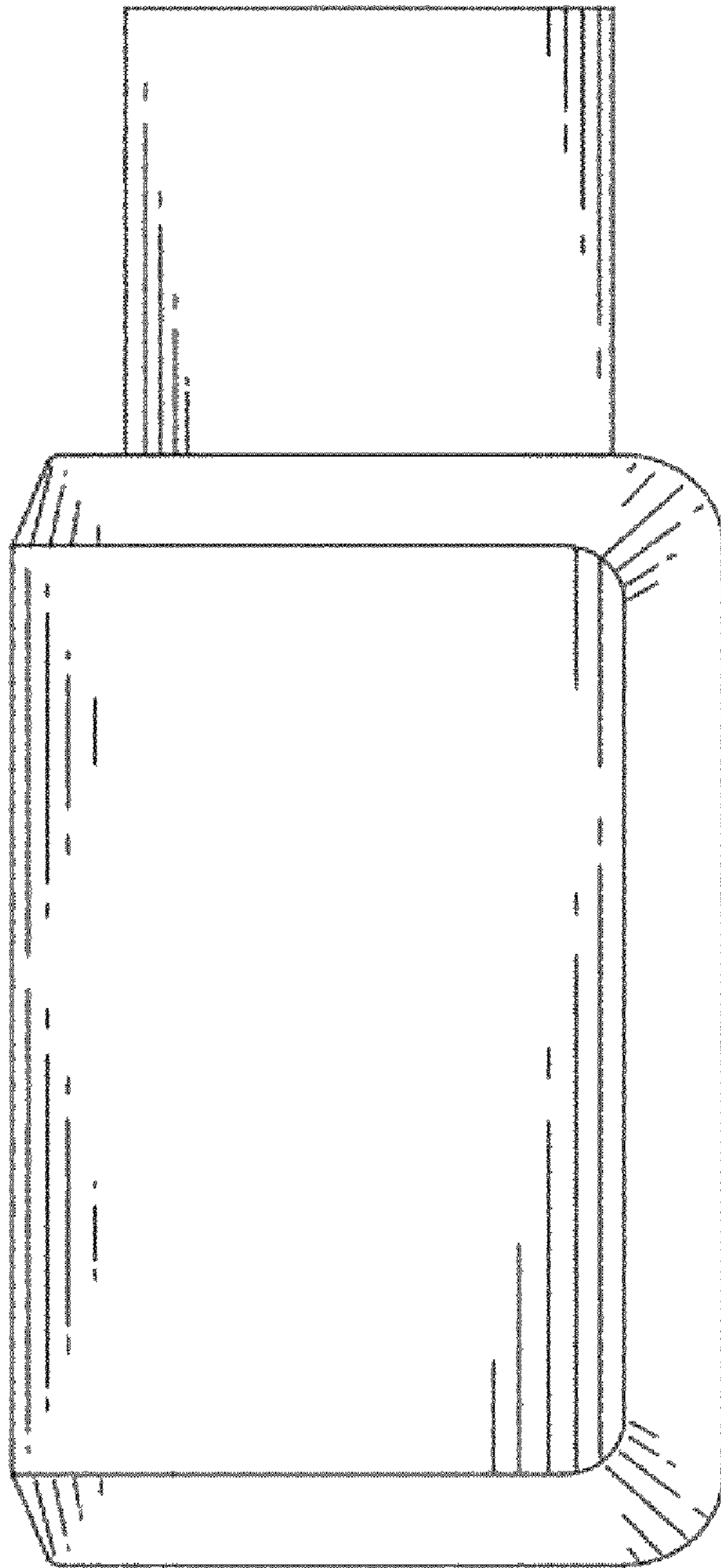


FIG. 7