



US00D658634S

(12) **United States Design Patent**
Son et al.

(10) **Patent No.:** **US D658,634 S**
(45) **Date of Patent:** **** May 1, 2012**

(54) **REMOTE CONTROLLER**
(75) Inventors: **Sung Ho Son**, Redmond, WA (US);
Gregory G. Jones, Seattle, WA (US);
Steven W. Fisher, Edmonds, WA (US)
(73) Assignee: **Microsoft Corporation**, Redmond, WA
(US)
(**) Term: **14 Years**

D525,948 S * 8/2006 Blair et al. D13/168
D528,992 S * 9/2006 Hobart et al. D13/168
D546,837 S * 7/2007 Yeo D14/496
D556,210 S * 11/2007 Choi et al. D14/496
D566,053 S * 4/2008 Derocher et al. D13/174
D567,801 S * 4/2008 Trappler D14/218
D573,577 S * 7/2008 Huang D14/155
D577,715 S * 9/2008 Lim et al. D14/240
D589,941 S * 4/2009 Maier et al. D14/218
D592,611 S * 5/2009 Altonen et al. D13/171
D596,623 S * 7/2009 Laine D14/218

* cited by examiner

(21) Appl. No.: **29/341,665**

Primary Examiner — John Windmuller

(22) Filed: **Aug. 10, 2009**

(74) *Attorney, Agent, or Firm* — Banner & Witcoff, Ltd.

(51) **LOC (9) Cl.** **14-03**

(57) **CLAIM**

(52) **U.S. Cl.** **D14/218**

The ornamental design for a remote controller, as shown and described.

(58) **Field of Classification Search** D14/218,
D14/455; D13/168; D21/566; D10/104,
D10/106; 345/169; 348/14.05, 114, 211.99,
348/734; 340/825.24; 341/22; 455/92, 95,
455/128, 151.1–151.4, 352, 355, FOR. 121;
700/65

DESCRIPTION

See application file for complete search history.

FIG. 1 is a top perspective view of the remote controller showing of our new design;
FIG. 2 is a top view thereof;
FIG. 3 is a bottom view thereof;
FIG. 4 is a right side view thereof;
FIG. 5 is a left side view thereof;
FIG. 6 is a front view thereof; and,
FIG. 7 is a rear view thereof.

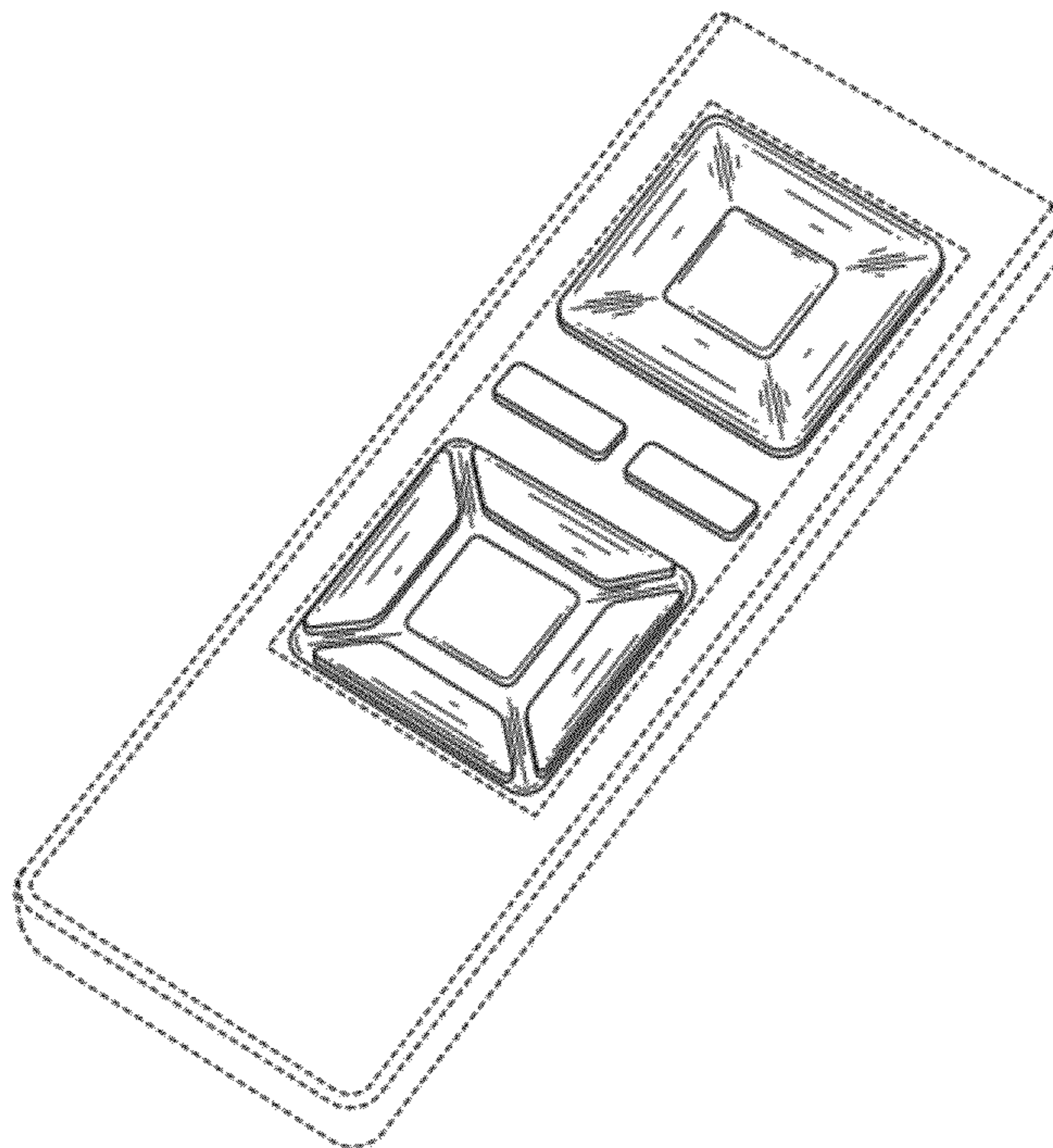
The broken line surrounding the shaded key region forms an unclaimed boundary of the design. The broken line showing of the remainder of the remote controller is for environmental purposes only and forms no part of the claimed design.

(56) **References Cited**

U.S. PATENT DOCUMENTS

D282,162 S * 1/1986 Grimes D14/214
D325,559 S * 4/1992 Rosenbaum et al. D13/171
D391,924 S * 3/1998 Mayo et al. D13/168
6,680,673 B1 * 1/2004 Wong 340/825.69
D496,003 S * 9/2004 Spira D13/168
D496,335 S * 9/2004 Spira D13/168
D512,043 S * 11/2005 Yagi D14/167

1 Claim, 6 Drawing Sheets



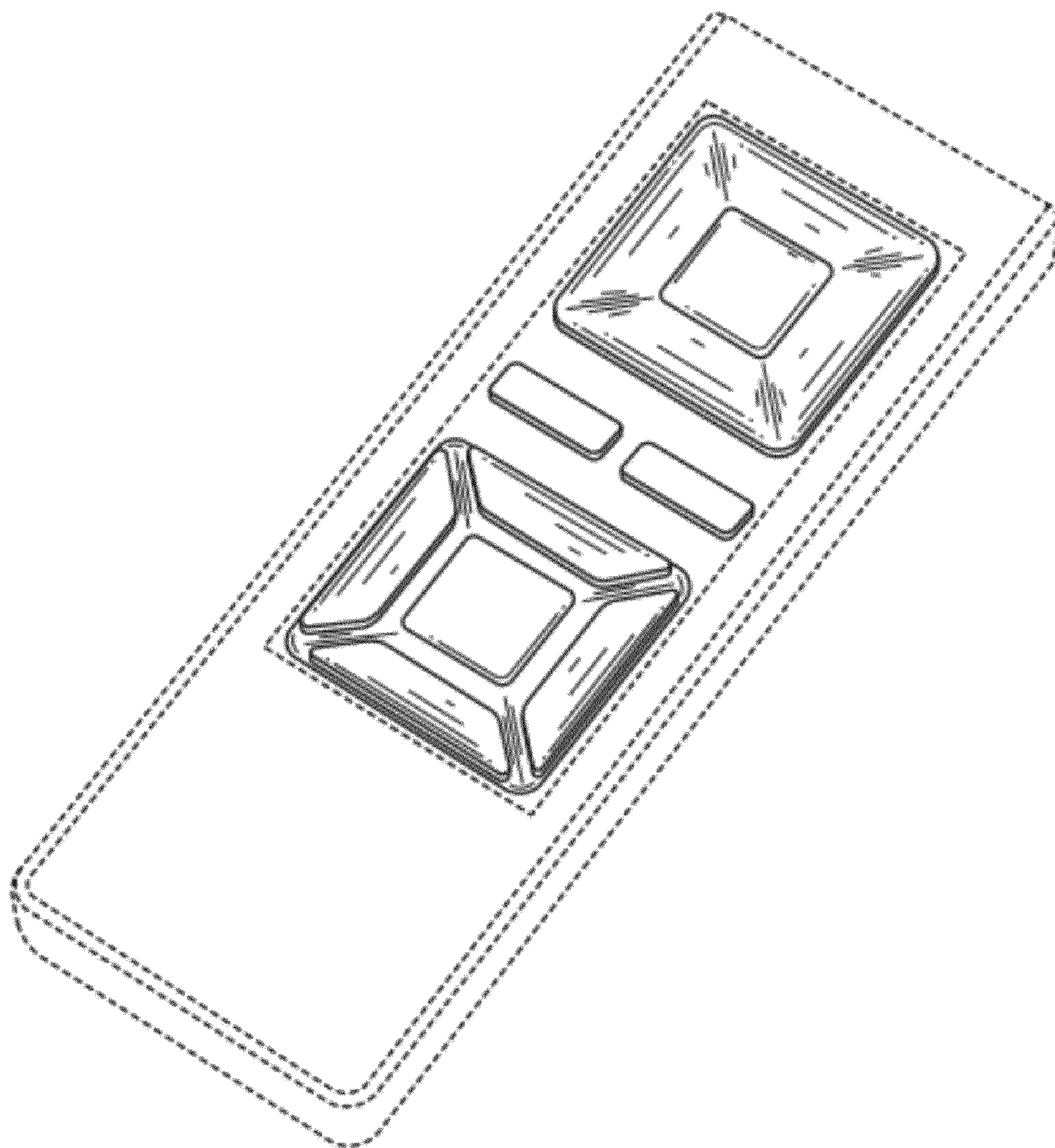


FIG. 1

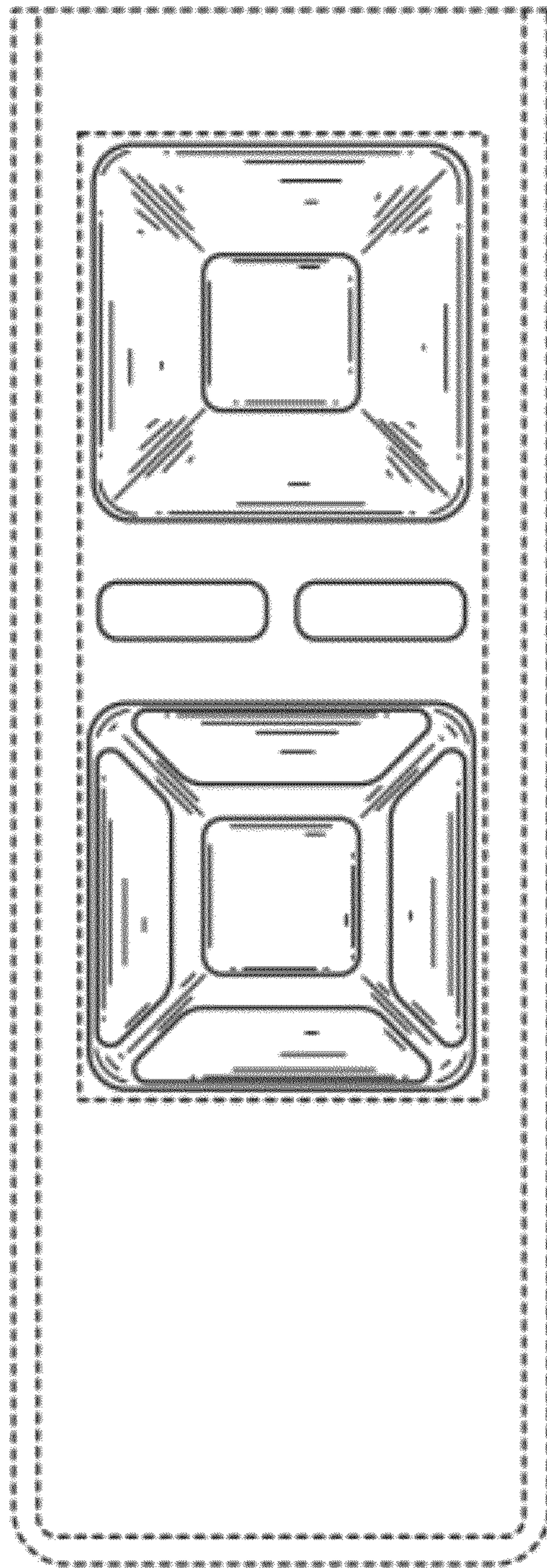


FIG. 2

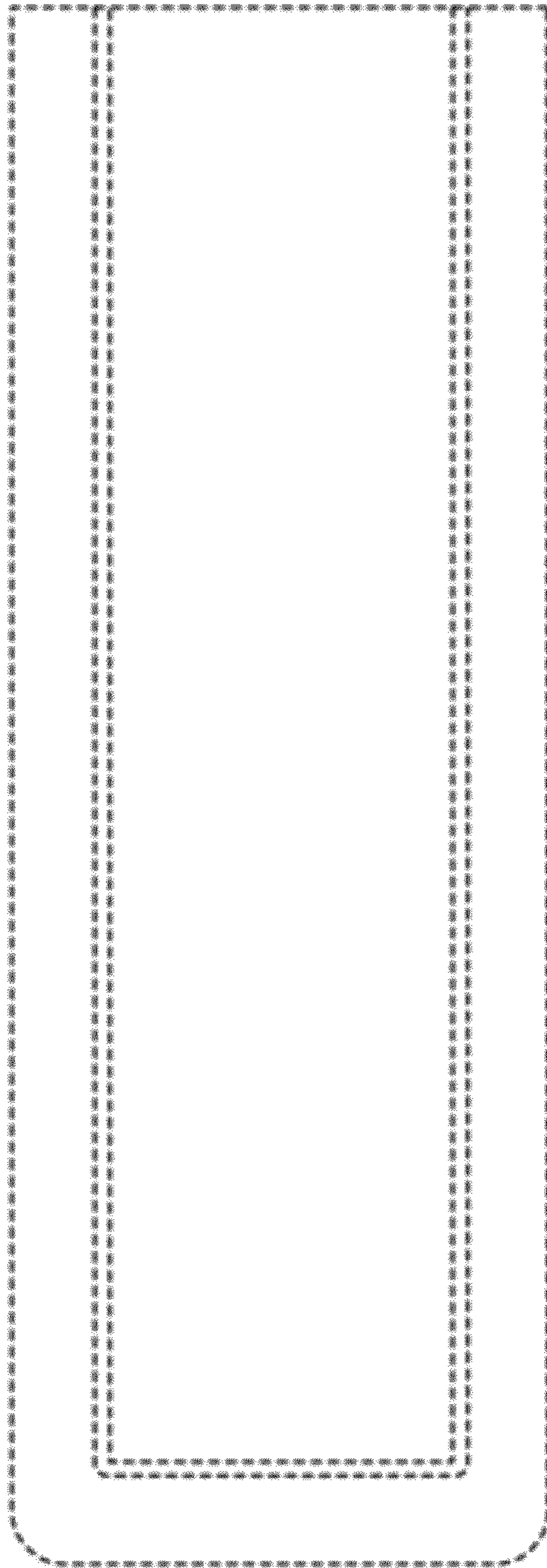


FIG. 3

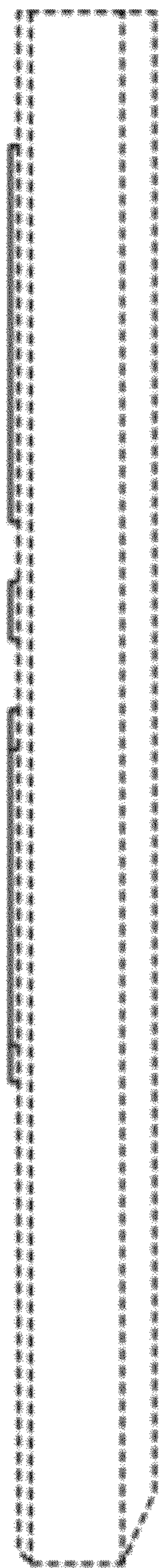


FIG. 4



FIG. 5

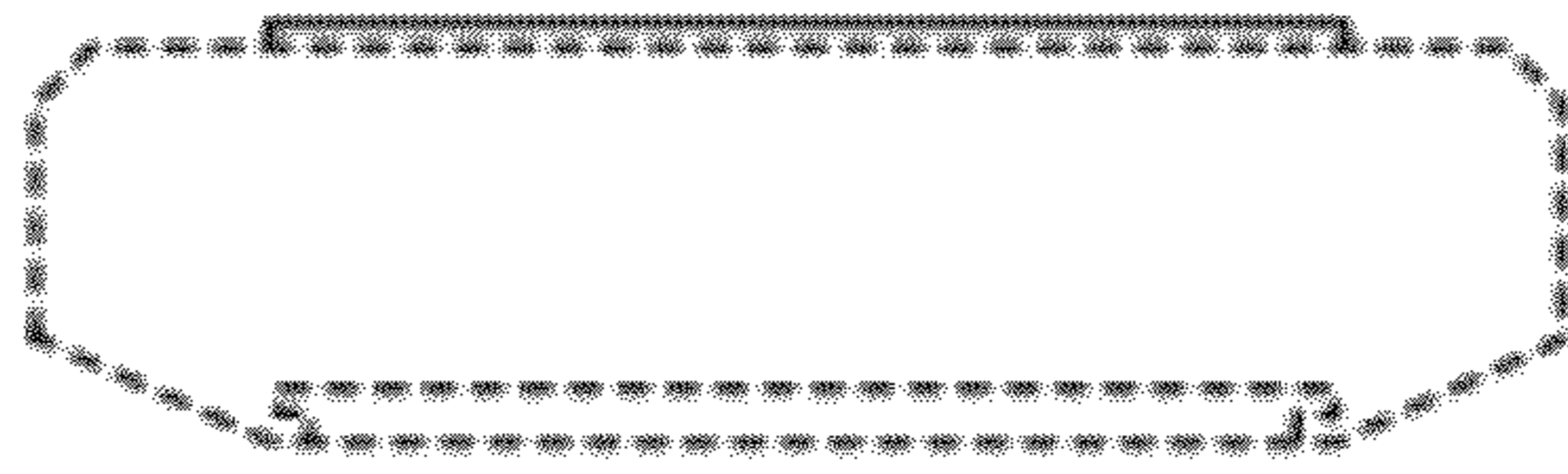


FIG. 6

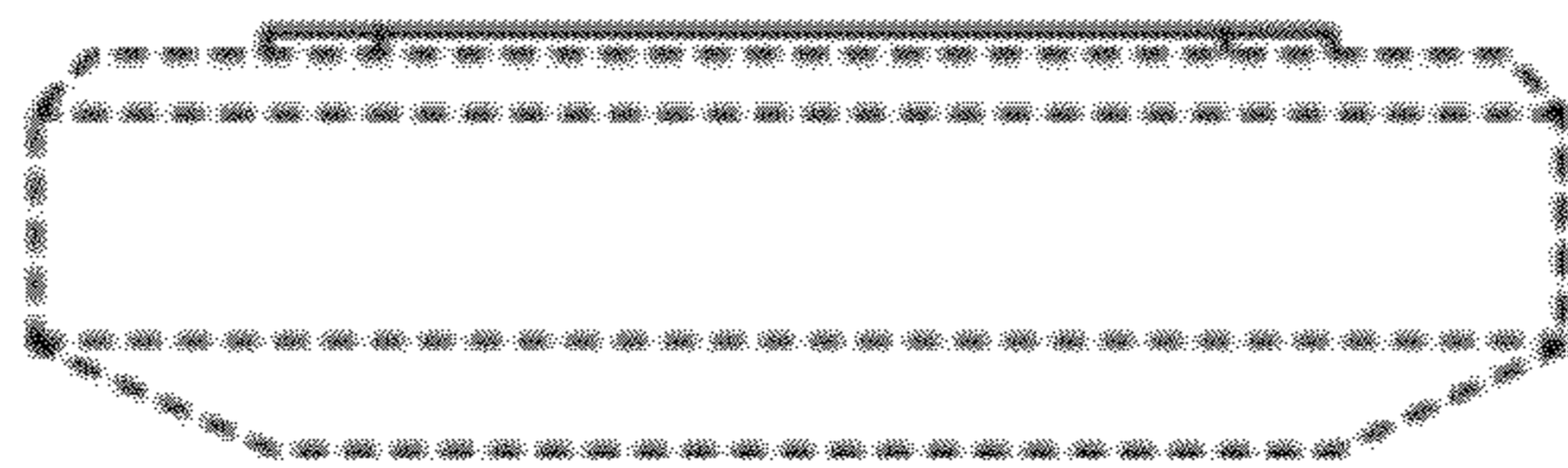


FIG. 7