



US00D658632S

(12) **United States Design Patent**
Kroyer

(10) **Patent No.:** **US D658,632 S**

(45) **Date of Patent:** **** May 1, 2012**

(54) **LOUDSPEAKER**

(75) Inventor: **Kristian Kroyer**, Hojbjerg (DK)

(73) Assignee: **Libratone A/S**, Skovlunde (DK)

(**) Term: **14 Years**

(21) Appl. No.: **29/381,067**

(22) Filed: **Dec. 15, 2010**

(30) **Foreign Application Priority Data**

Jun. 16, 2010 (EM) 001720327-0002

(51) **LOC (9) Cl.** **14-01**

(52) **U.S. Cl.** **D14/214**

(58) **Field of Classification Search** D14/204,
D14/210–216, 172; 181/143–144, 147–148,
181/150–153, 157, 198–199; 381/300–303,
381/306, 332–333, 336, 345, 361–364, 386–388
See application file for complete search history.

(56) **References Cited**

U.S. PATENT DOCUMENTS

3,637,938	A	1/1972	Kuhlow et al.	
4,418,243	A	11/1983	Fixler	
4,596,034	A	6/1986	Moncrieff	
5,710,394	A	1/1998	Saito et al.	
5,870,484	A	2/1999	Greenberger	
D472,542	S *	4/2003	Oikawa	D14/172
D520,494	S *	5/2006	Aiba et al.	D14/214
D543,535	S *	5/2007	Hasegawa et al.	D14/214
D578,997	S *	10/2008	Takuma	D14/172

FOREIGN PATENT DOCUMENTS

GB 2 037 130 A 7/1980

OTHER PUBLICATIONS

Hi-Fi klubben, Panasonic SC-HTB500 HøJTALERSYSTEM PRIS:2.799, retrieved from http://www.hifiklubben.dk/produkter/hojttaler/systemer/panasonic_sc-htb500-hojttalersystem.htm on Mar. 11, 2011.

* cited by examiner

Primary Examiner — Nanda Bondade

(74) *Attorney, Agent, or Firm* — Sughrue Mion, PLLC

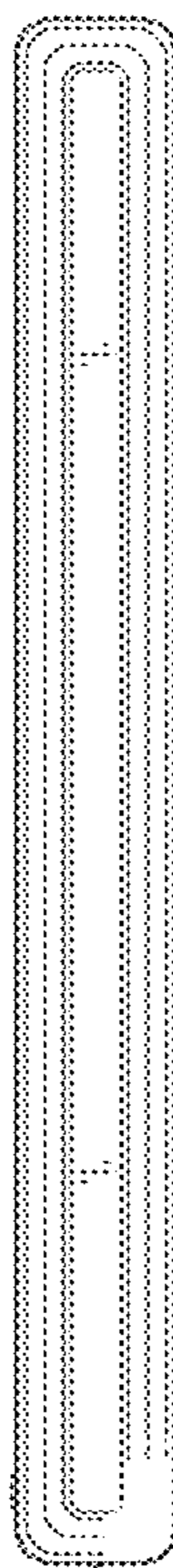
(57) **CLAIM**

The ornamental design for loudspeaker, as shown and described.

DESCRIPTION

FIG. 1 is a top view of a loudspeaker;
FIG. 2 is a front view thereof;
FIG. 3 is a right side view thereof;
FIG. 4 is a rear view thereof;
FIG. 5 is a top-rear perspective view thereof;
FIG. 6 is a top-front perspective view thereof; and,
FIG. 7 is a bottom-rear perspective view thereof.
The broken line showing on the drawing disclosure is for illustrative purposes only and forms no part of the claimed design.

1 Claim, 7 Drawing Sheets



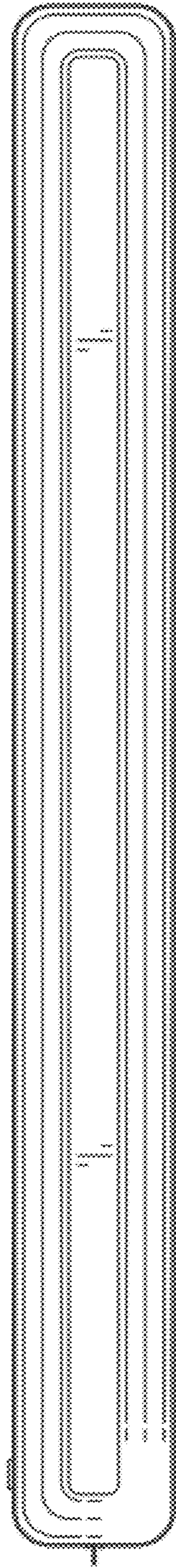


FIG. 1

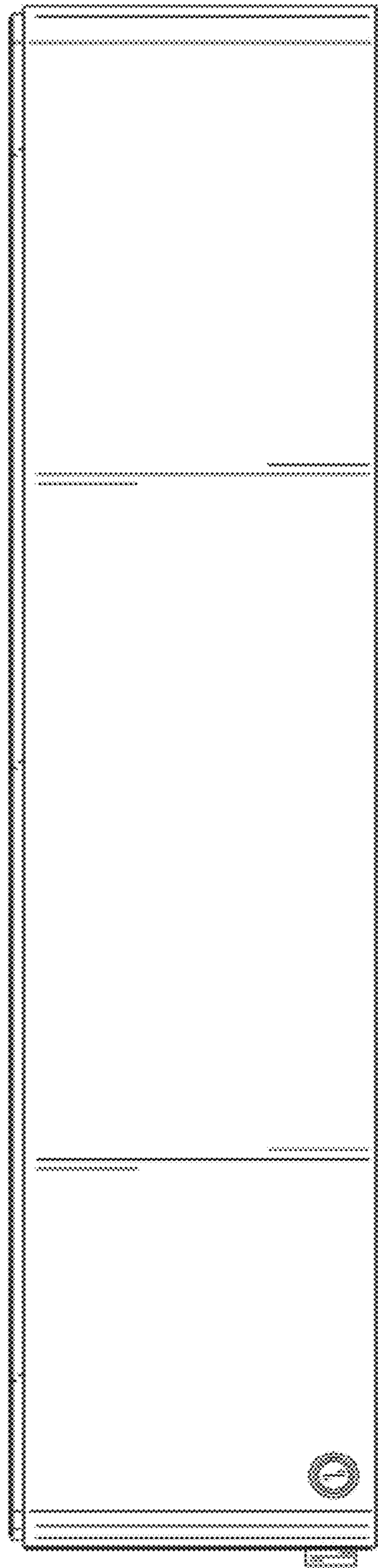


FIG. 2

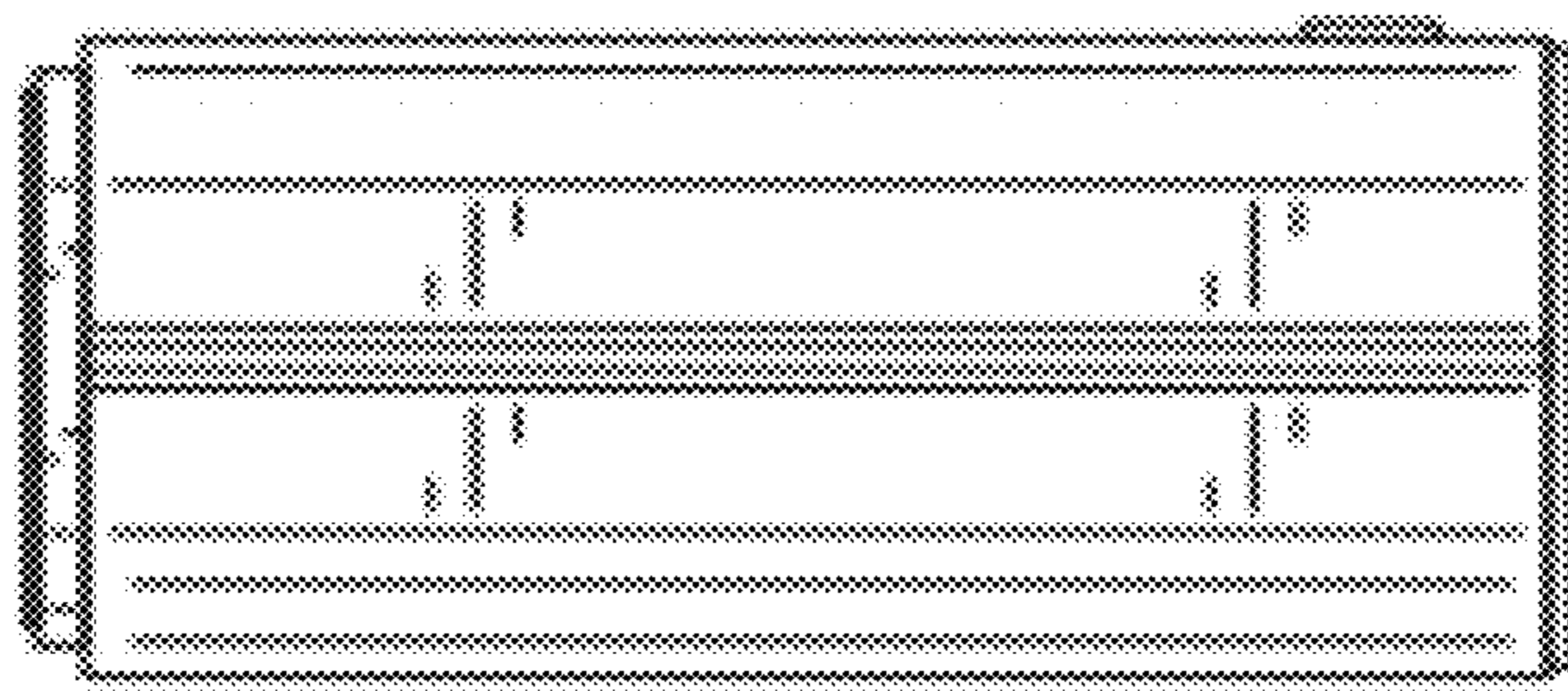


FIG. 3

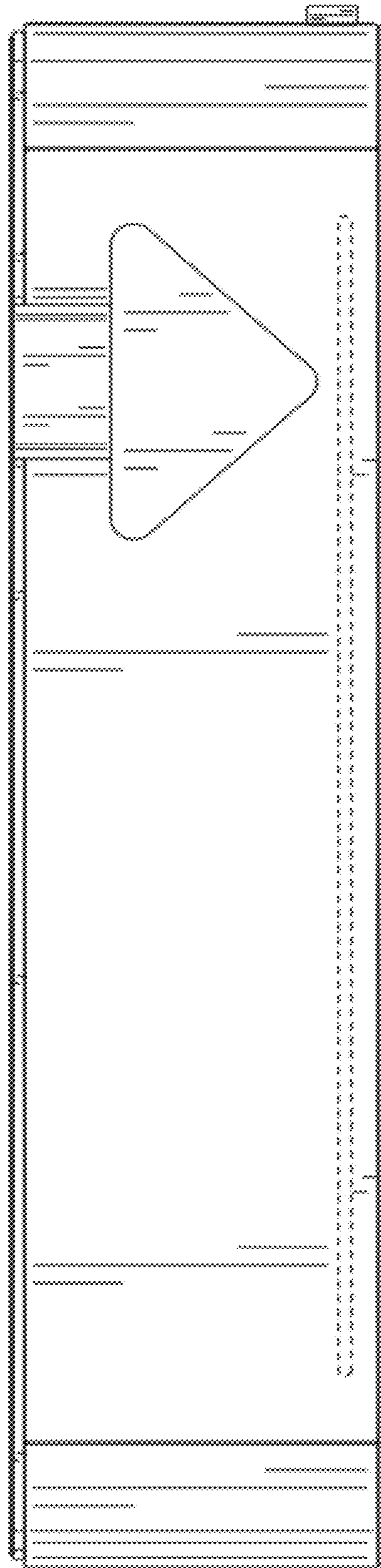


FIG. 4

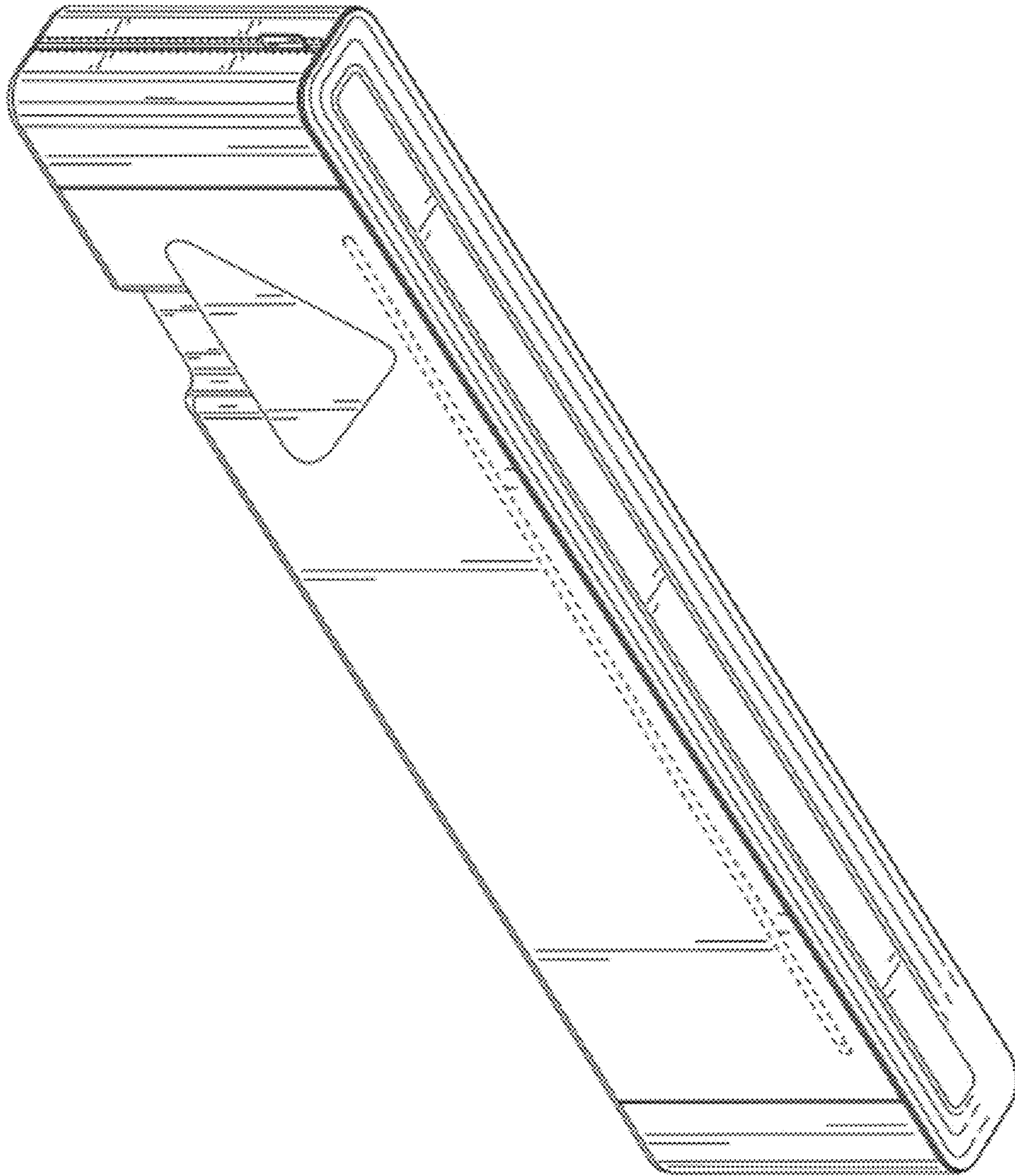


FIG. 5

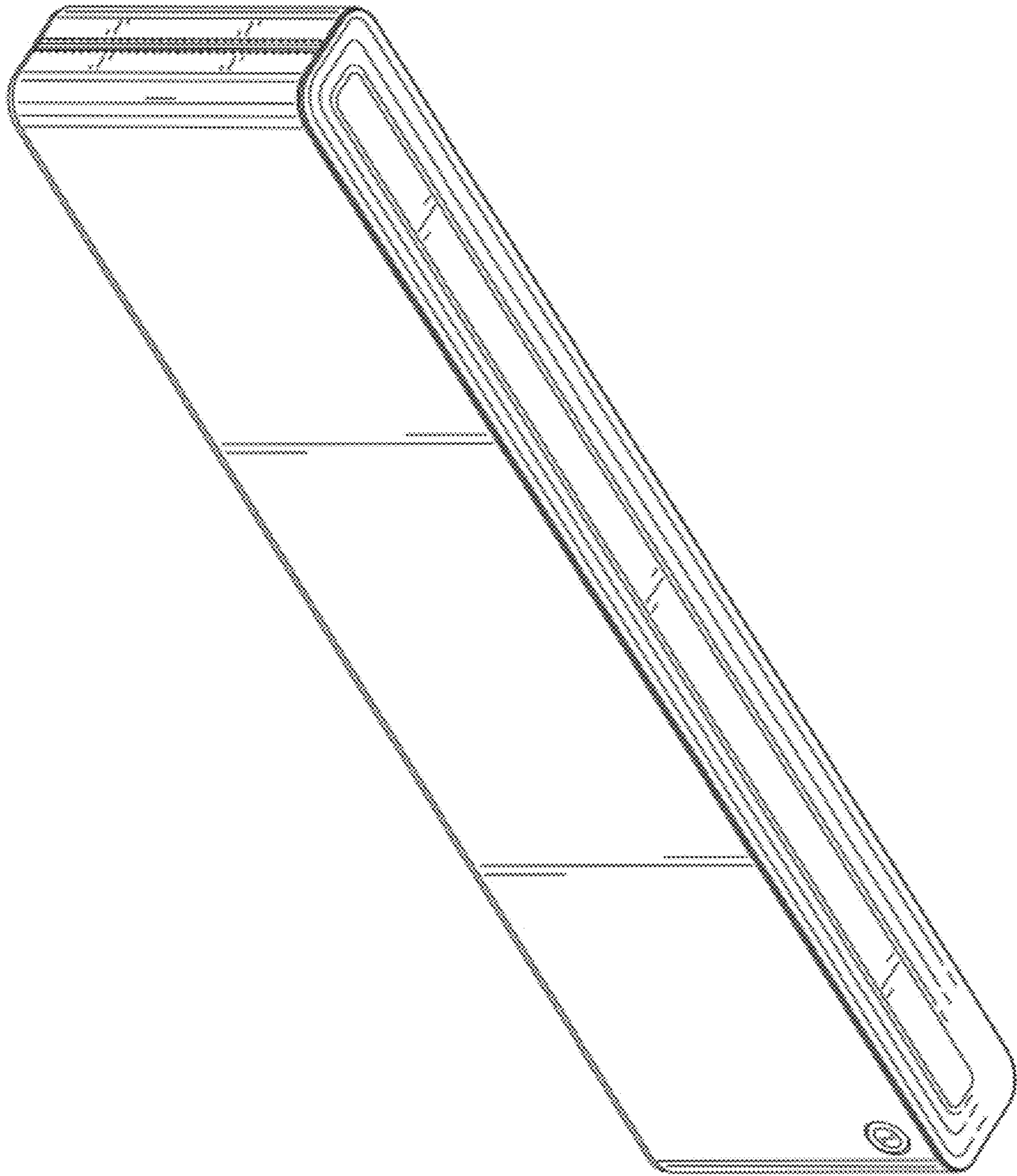


FIG. 6

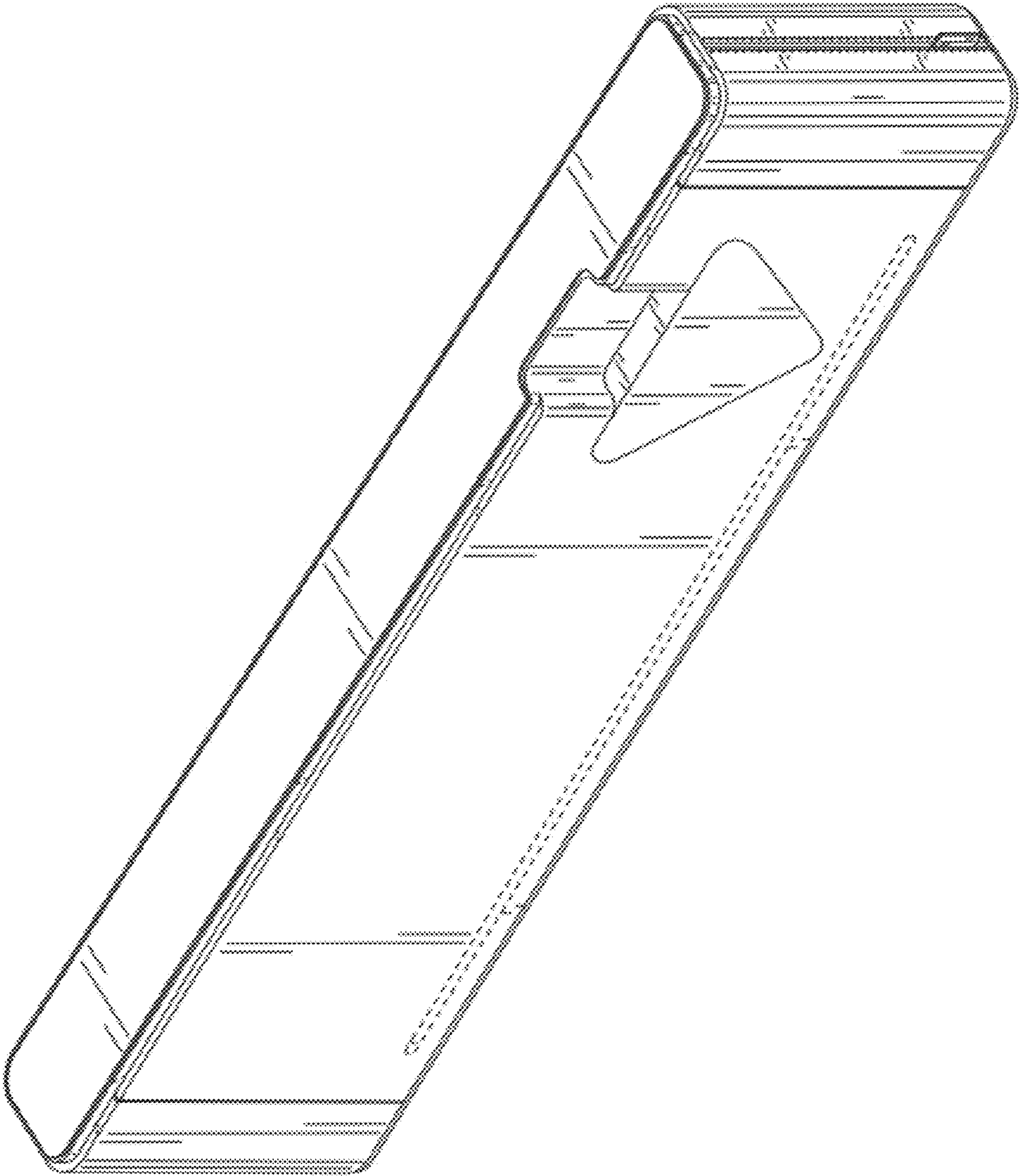


FIG. 7