



US00D658631S

(12) **United States Design Patent**
Lee et al.

(10) **Patent No.:** **US D658,631 S**
(45) **Date of Patent:** **** May 1, 2012**

(54) **HEADPHONE**

(75) Inventors: **Noel Lee**, Las Vegas, NV (US);
Kendrew Lee, Tsing Yi (HK); **Jacky Hsiung**, San Jose, CA (US); **Li Hoi Yee**, Hong Kong (HK); **Jolie Clemens**, Santa Ana, CA (US)

(73) Assignee: **Monster Cable Products, Inc.**, Brisbane, CA (US)

(**) Term: **14 Years**

(21) Appl. No.: **29/398,956**

(22) Filed: **Aug. 8, 2011**

(51) **LOC (9) Cl.** **14-01**

(52) **U.S. Cl.** **D14/205**

(58) **Field of Classification Search** D14/205,
D14/206, 223; 181/129, 130, 135; 379/430,
379/433.03; 455/90.3, 575.2; 381/380, 381
See application file for complete search history.

(56) **References Cited**

U.S. PATENT DOCUMENTS

D84,406	S	*	6/1931	Dumont	D20/32
2,667,004	A	*	1/1954	Sanson	24/106
3,377,819	A	*	4/1968	Joy et al.	63/31
3,605,438	A	*	9/1971	Chalson	63/20
D259,203	S	*	5/1981	Goldfarb et al.	D21/649
D327,268	S	*	6/1992	Anstin	D14/192
D333,659	S	*	3/1993	Williams	D14/205
D336,299	S	*	6/1993	Darovic	D14/205
D357,916	S	*	5/1995	Covington	D14/205
D371,639	S	*	7/1996	Schmitt	D29/112
D383,136	S	*	9/1997	Leifer	D14/223
5,673,501	A	*	10/1997	Mathews	36/136

D405,722	S	*	2/1999	Ayoub	D11/162
D506,791	S	*	6/2005	Germano	D21/648
D557,687	S	*	12/2007	Eisenbraun	D14/223
7,389,567	B2	*	6/2008	Rogers et al.	24/113 R
D583,361	S	*	12/2008	Sodetz	D14/205
7,536,156	B2	*	5/2009	Tischer et al.	455/90.3
D594,441	S		6/2009	Lee et al.		
D598,901	S		8/2009	Lee et al.		
D599,781	S		9/2009	Lee et al.		
D600,675	S		9/2009	Lee et al.		
D643,418	S		8/2011	Lee et al.		
D645,021	S	*	9/2011	Lee et al.	D14/205

* cited by examiner

Primary Examiner — Paula Greene

(74) *Attorney, Agent, or Firm* — LaRiviere, Grumbman & Payne, LLP

(57) **CLAIM**

The ornamental design for a headphone, as shown and described.

DESCRIPTION

FIG. 1 is a front perspective view of a headphone, showing our new design.

FIG. 2 is a rear perspective view thereof;

FIG. 3 is a front view thereof;

FIG. 4 is a rear view thereof;

FIG. 5 is a side view thereof;

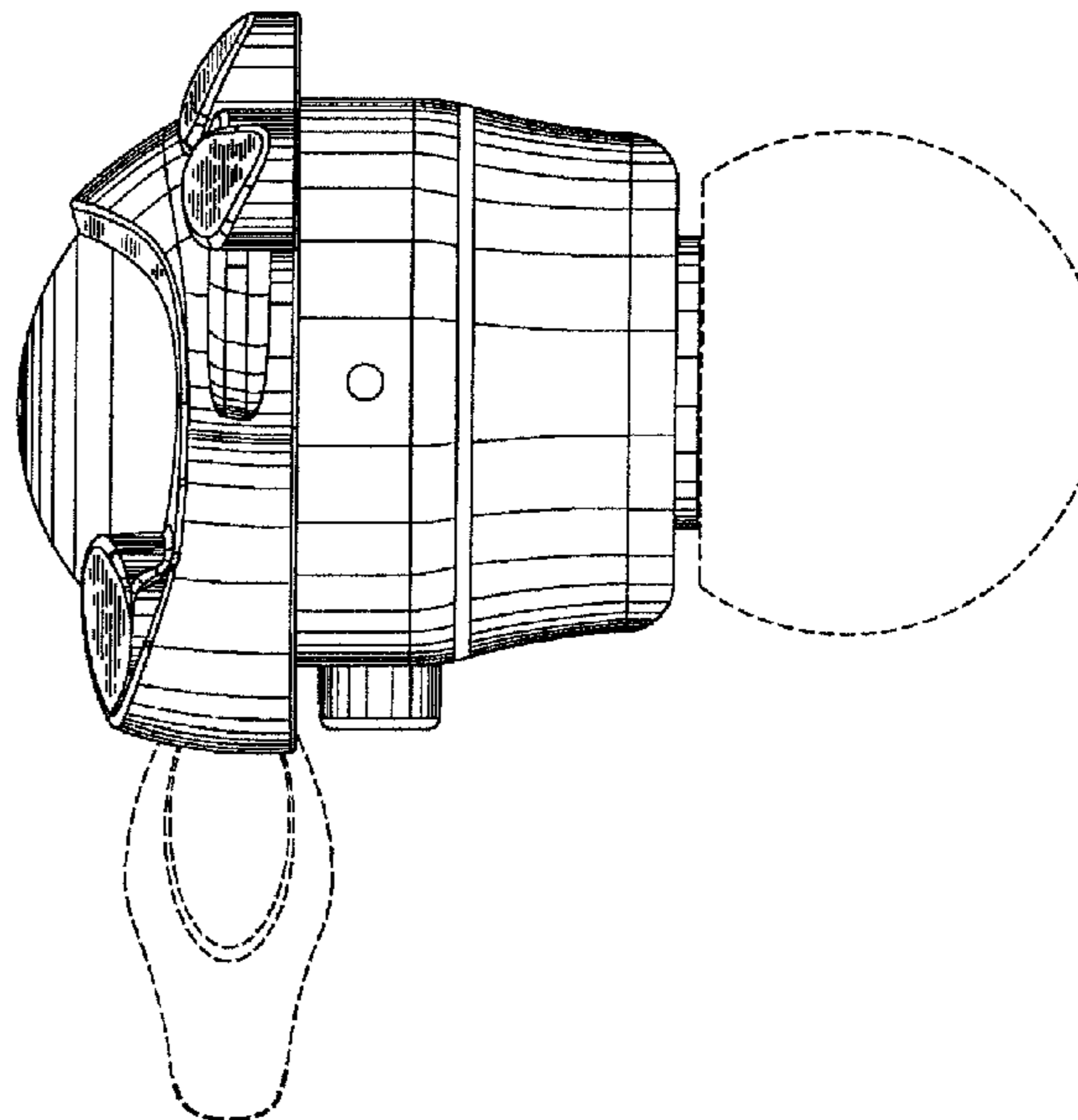
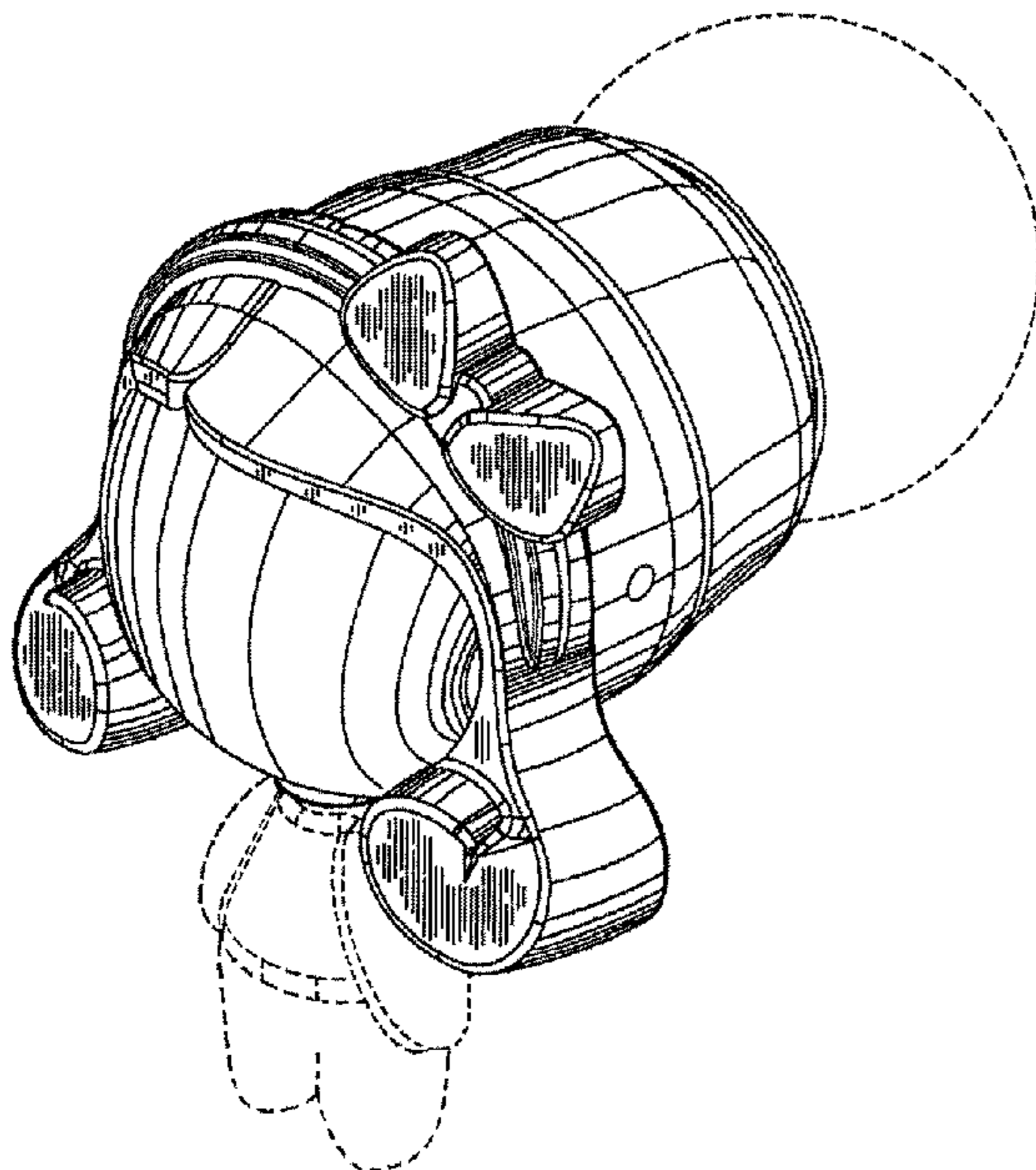
FIG. 6 is an opposing side view thereof;

FIG. 7 is a top view thereof; and,

FIG. 8 is a bottom view thereof.

The broken lines showing the environment in the Figures are for illustrative purposes only and form no part of the claimed design.

1 Claim, 3 Drawing Sheets



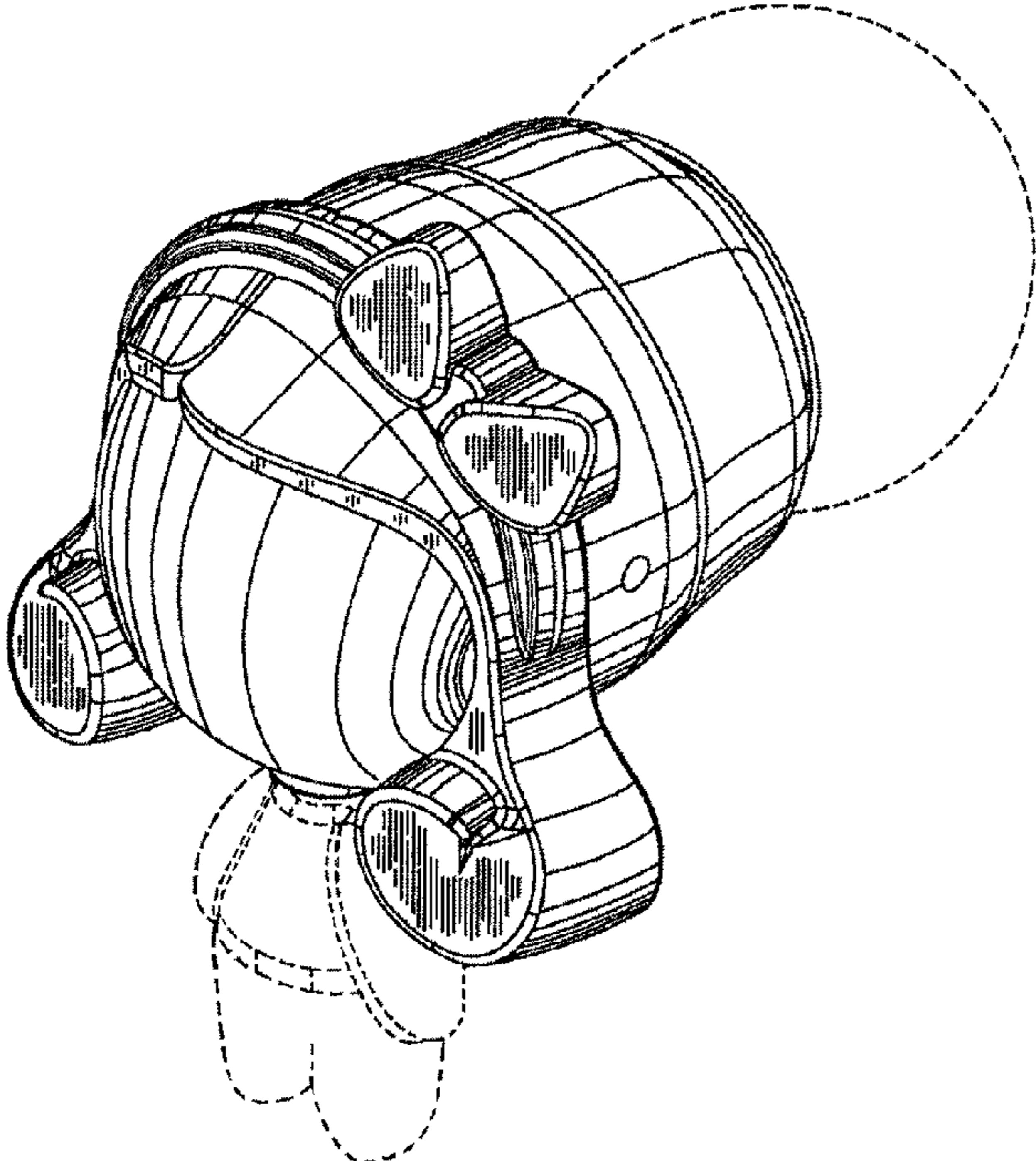


Figure 1

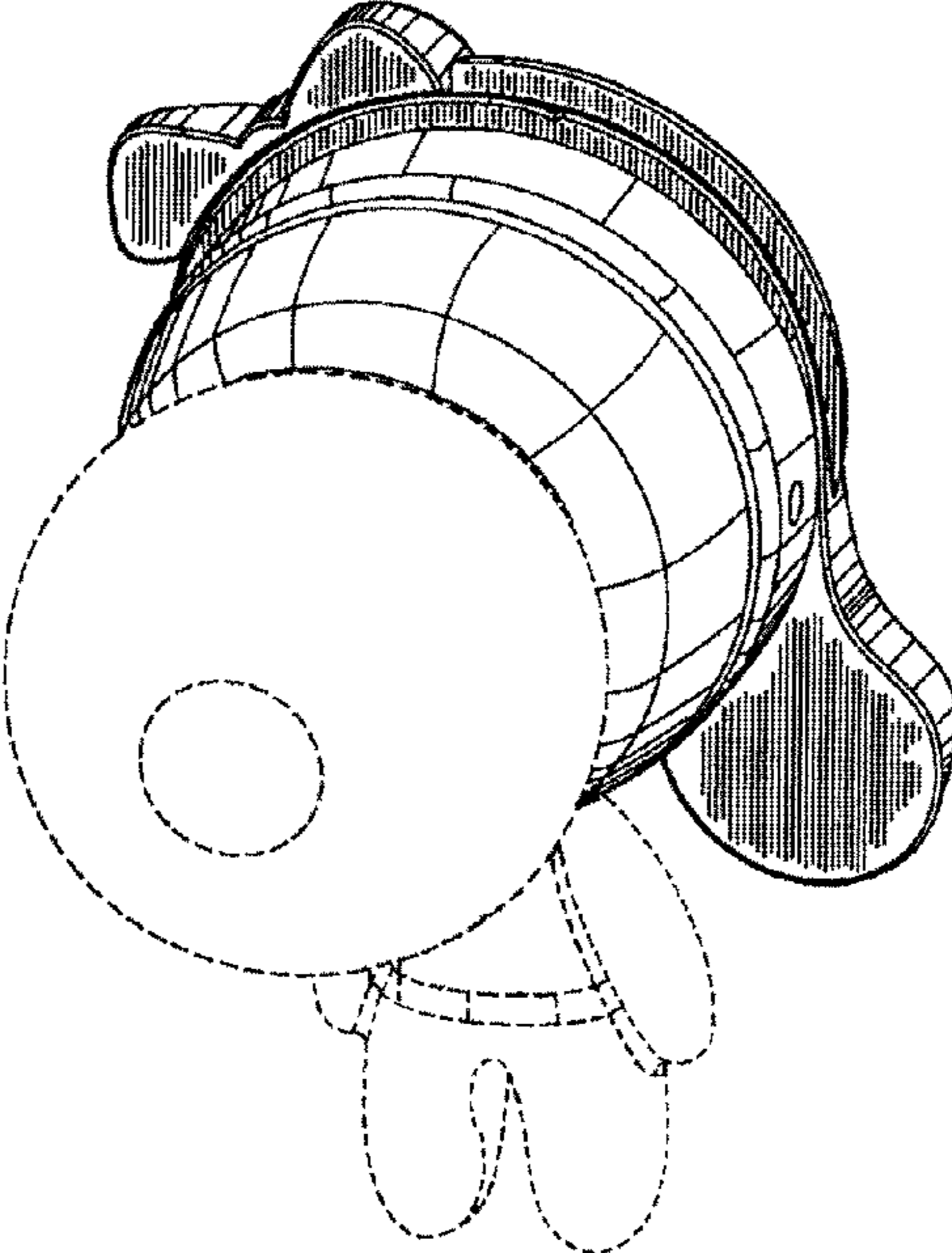


Figure 2

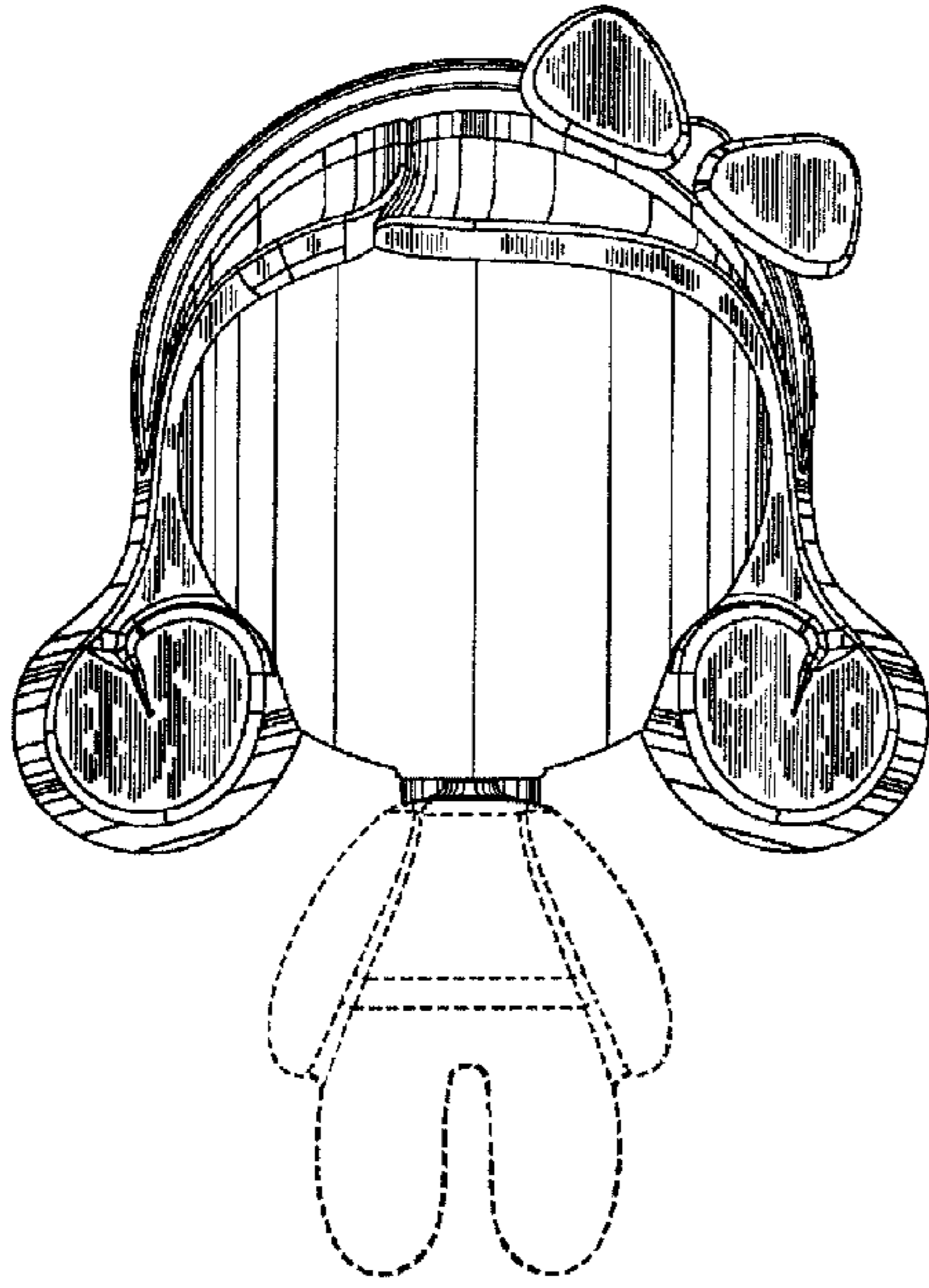


Figure 3

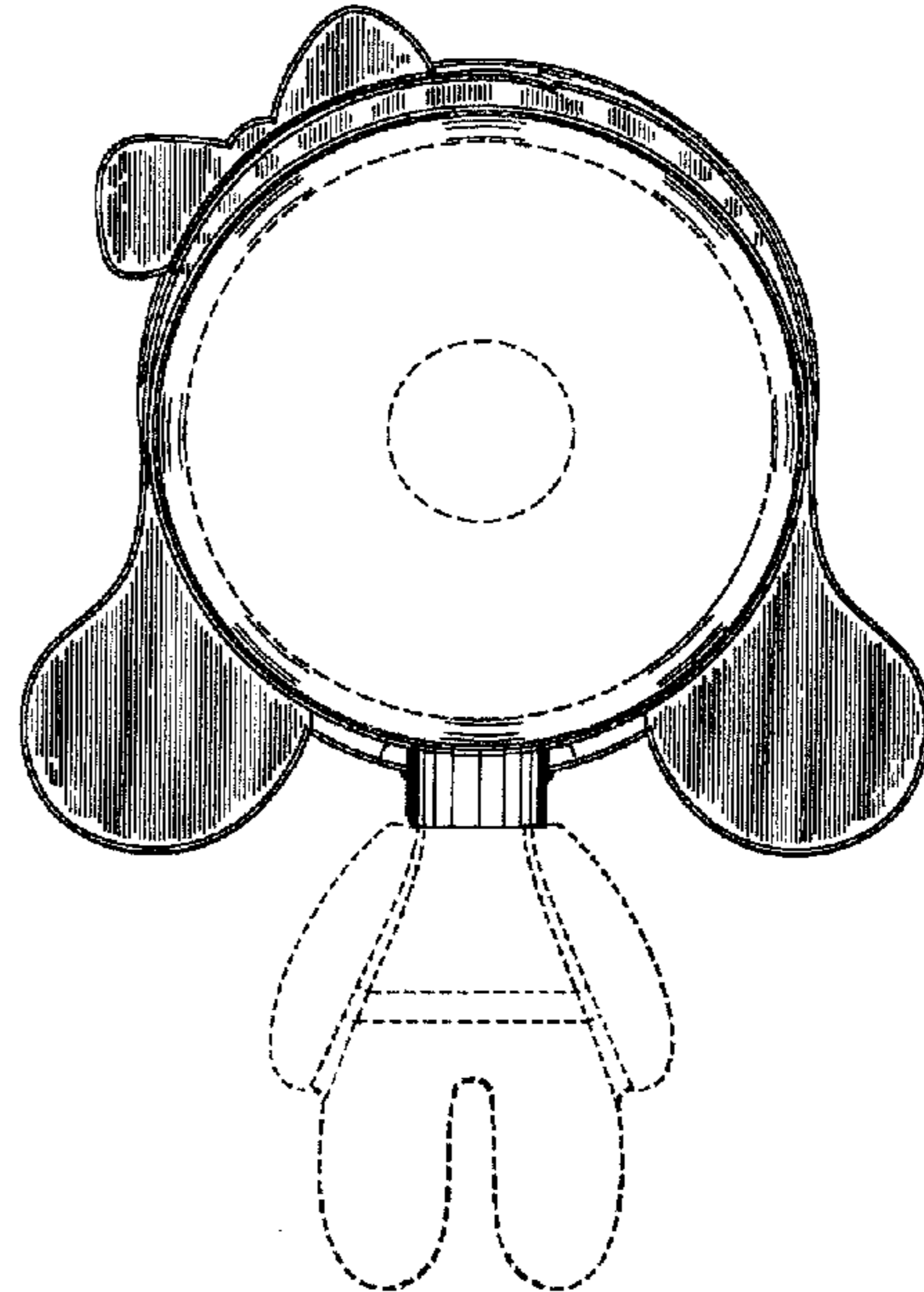


Figure 4

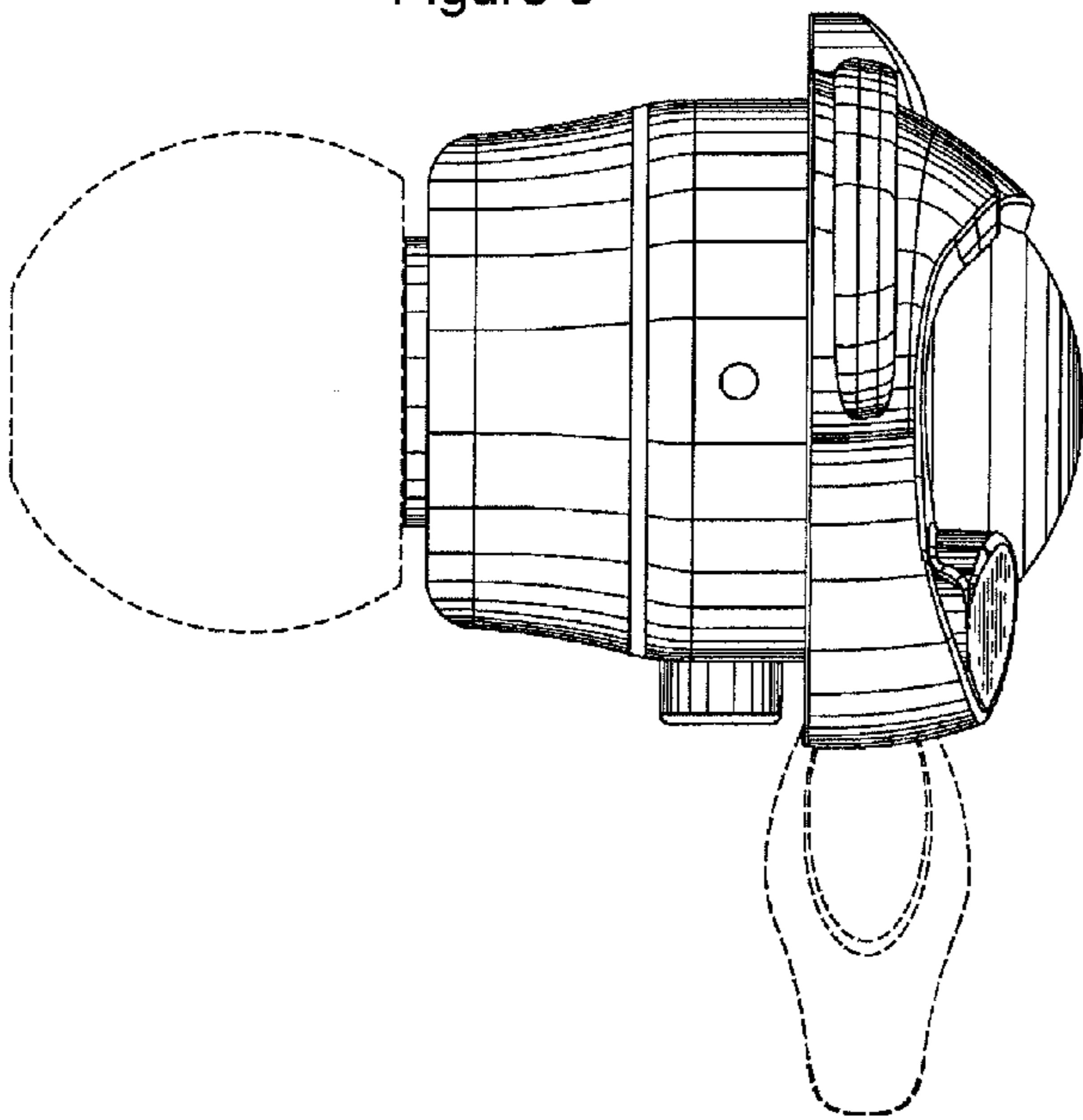


Figure 5

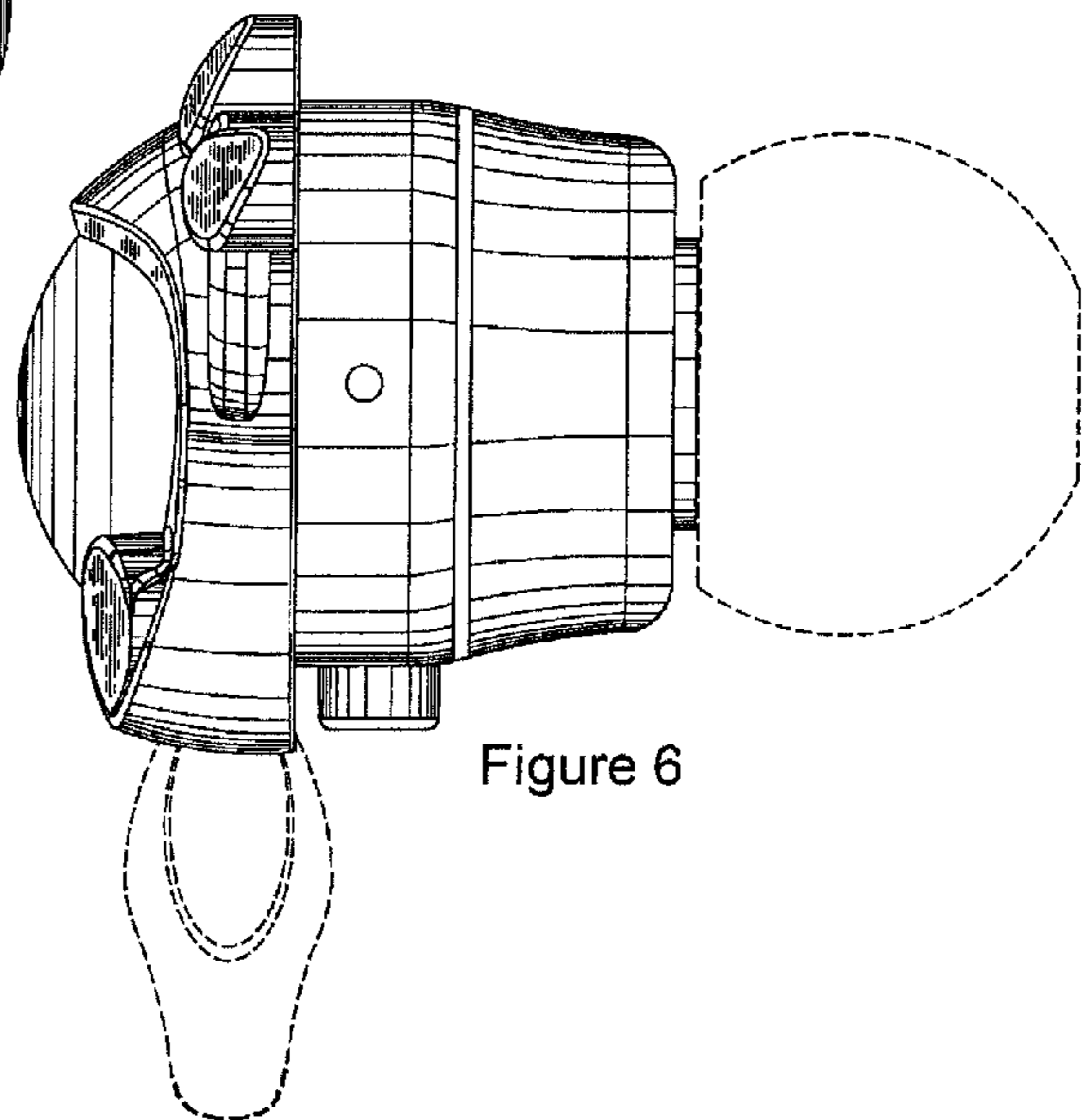


Figure 6

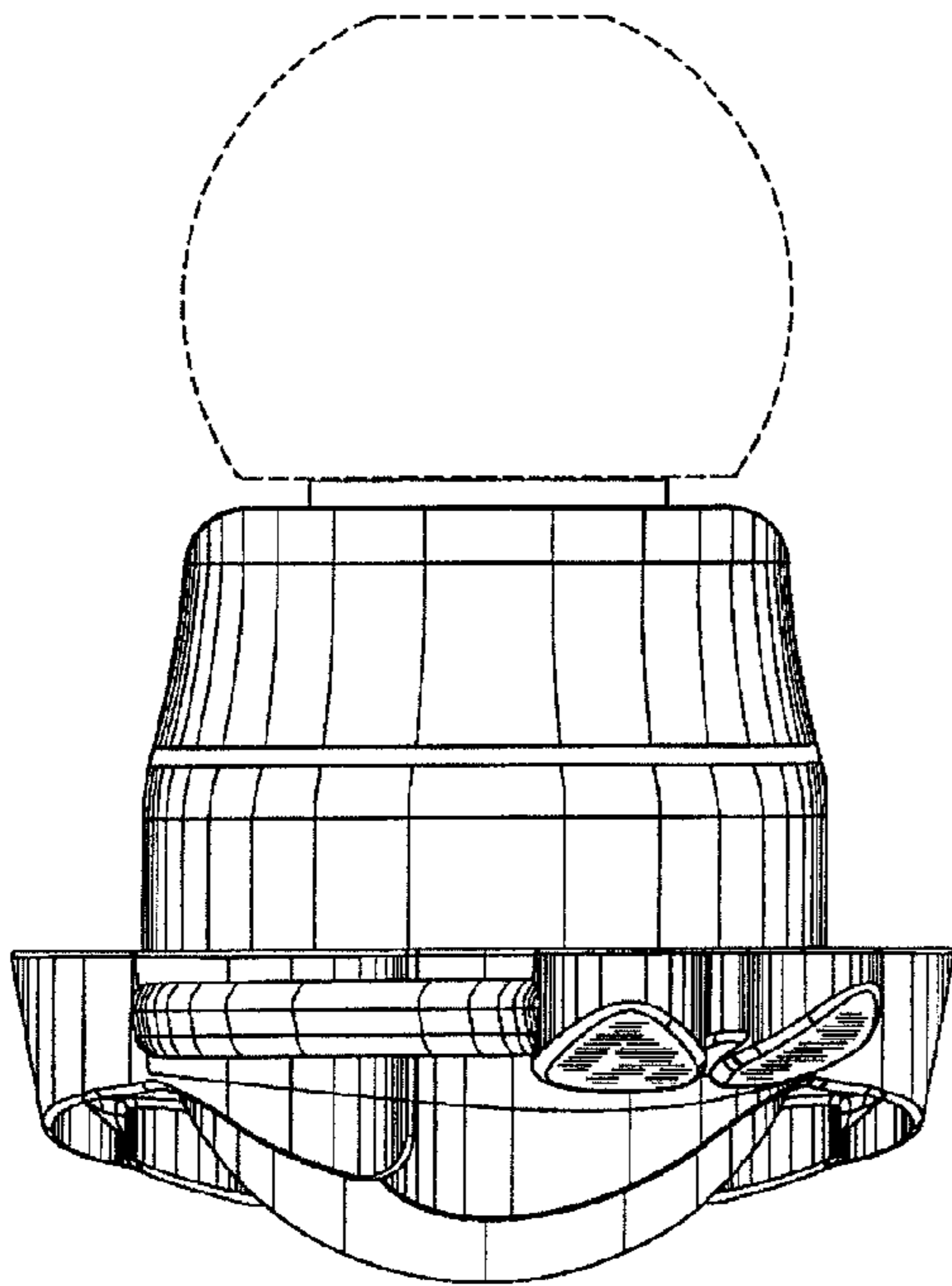


Figure 7

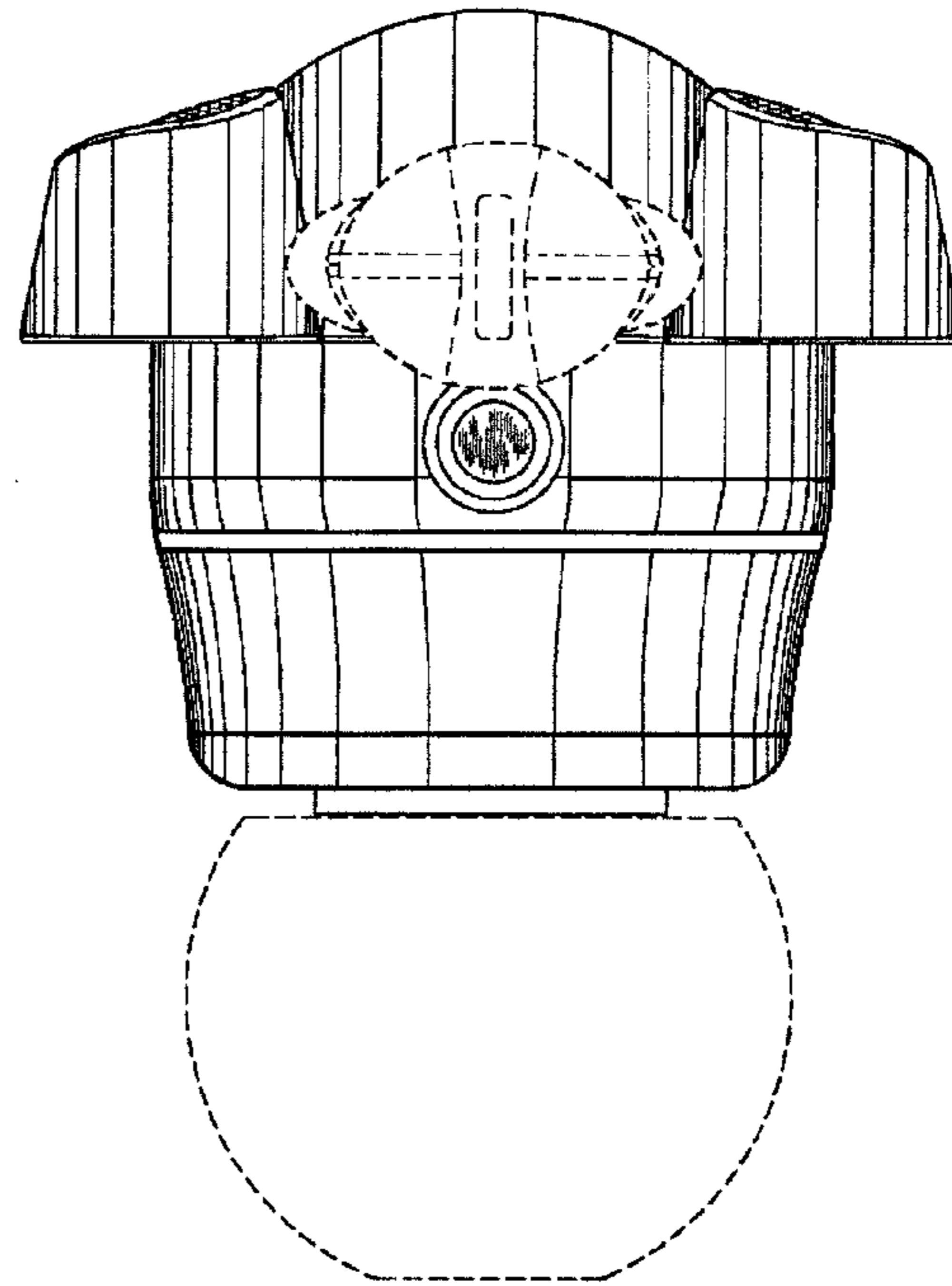


Figure 8