



US00D658628S

(12) **United States Design Patent**
Hahner et al.

(10) **Patent No.:** **US D658,628 S**

(45) **Date of Patent:** **** May 1, 2012**

(54) **RADIO**

(75) Inventors: **Isaiah Hahner**, Fortuna, CA (US); **Brett Pritchett**, Trinidad, CA (US); **Robert C. Crane**, Fortuna, CA (US)

(73) Assignee: **C. Crane Company, Inc.**, Fortuna, CA (US)

(**) Term: **14 Years**

(21) Appl. No.: **29/368,683**

(22) Filed: **Aug. 26, 2010**

(51) **LOC (9) Cl.** **14-03**

(52) **U.S. Cl.** **D14/196; D14/198**

(58) **Field of Classification Search** D14/137,
D14/155, 162, 167-171, 188, 189, 193-198,
D14/203.1-203.8, 204, 208, 209.1, 210, 212,
D14/214, 215, 217, 257, 258, 265, 299, 496;
369/6-12; 455/90.1-90.3, 344-355

See application file for complete search history.

(56) **References Cited**

U.S. PATENT DOCUMENTS

D240,076 S *	5/1976	Kawano et al.	D14/195
D241,370 S *	9/1976	Akazawa et al.	D14/195
D244,227 S *	5/1977	Kushida	D14/195
D244,228 S *	5/1977	Kawano et al.	D14/195
D248,472 S *	7/1978	Kawano et al.	D14/194

D253,822 S *	1/1980	Hamada et al.	D14/195
D260,993 S *	9/1981	Kawano et al.	D14/194
D262,880 S *	2/1982	van de Ven	D14/171
D264,339 S *	5/1982	Nishimoto et al.	D14/196
D266,088 S *	9/1982	Van De Ven	D14/196
D272,535 S *	2/1984	Van De Ven	D14/196
D292,800 S *	11/1987	Davidson	D14/195
D313,021 S *	12/1990	Ehrmann	D14/196
D522,993 S *	6/2006	Harris et al.	D14/507
D522,997 S *	6/2006	Hess	D14/168
D552,594 S *	10/2007	Bhavnani	D14/196
D572,232 S *	7/2008	Joseph	D14/188

* cited by examiner

Primary Examiner — Stella Reid

Assistant Examiner — Keli L Hill

(74) *Attorney, Agent, or Firm* — Stolowitz Ford Cowger LLP

(57) **CLAIM**

The ornamental design for a radio, as shown and described.

DESCRIPTION

FIG. 1 is a perspective view of the radio.

FIG. 2 is a front view of the radio.

FIG. 3 is a rear view of the radio.

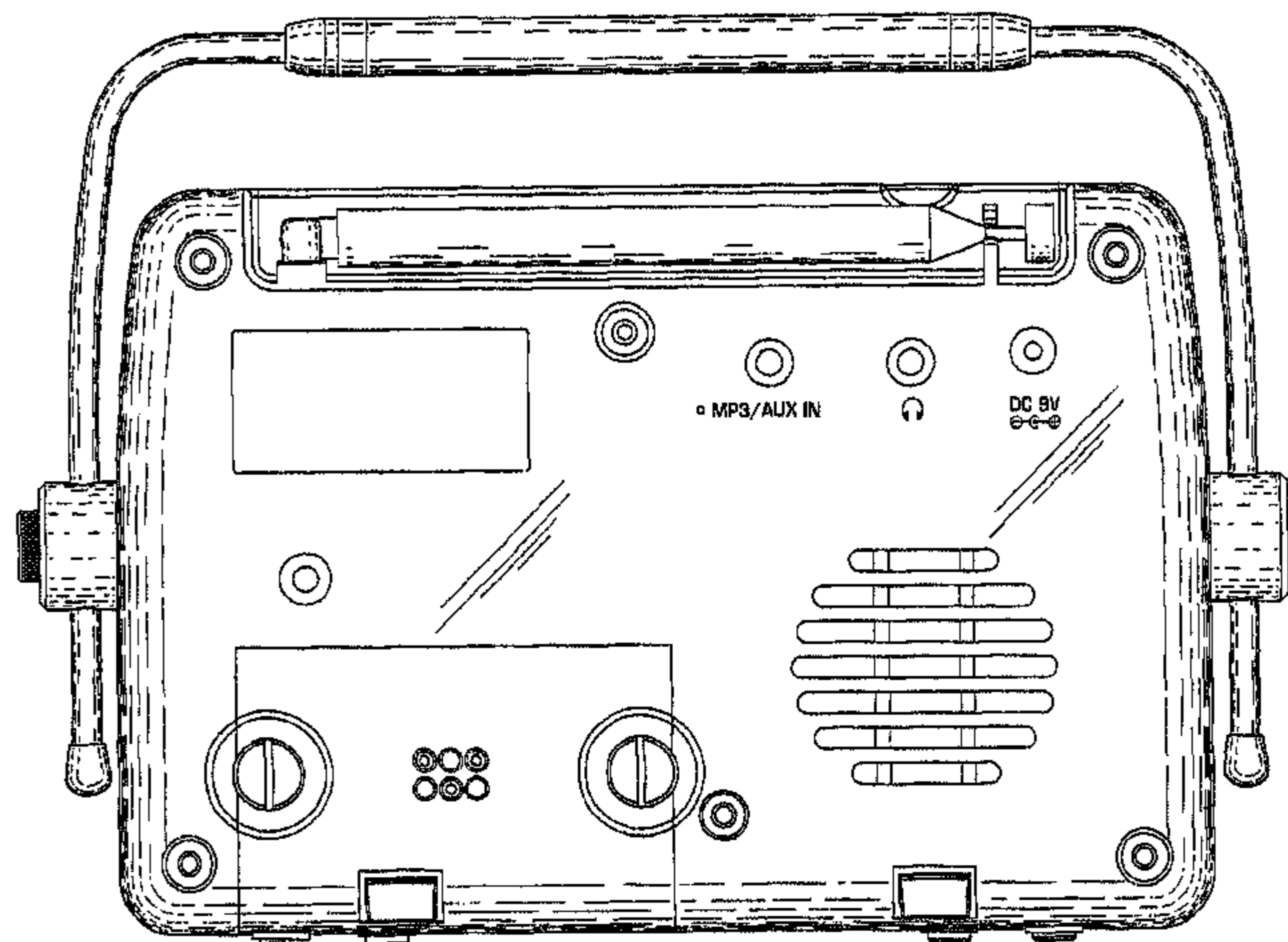
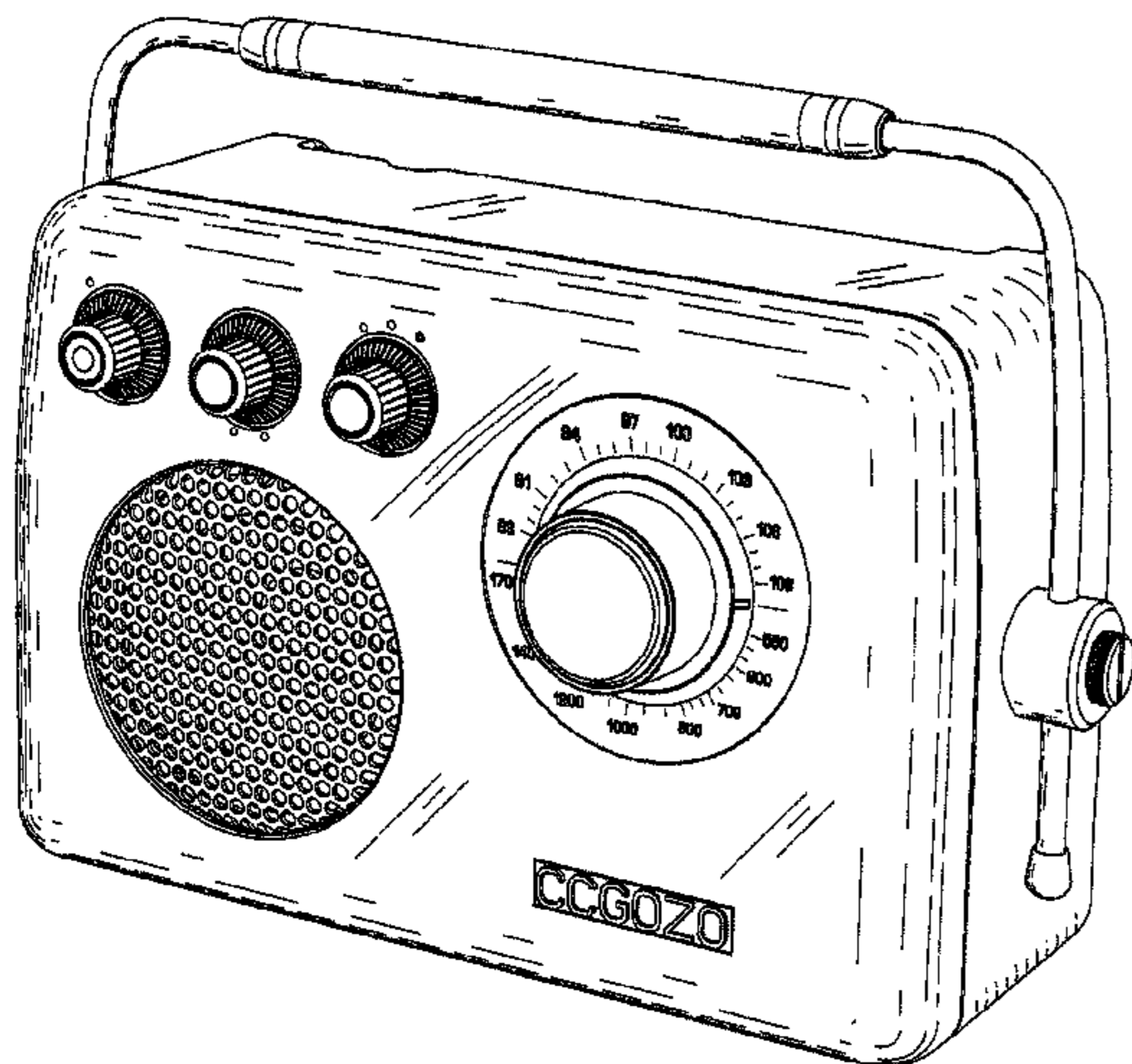
FIG. 4 is a bottom plan view of the radio.

FIG. 5 is a top plan view of the radio.

FIG. 6 is a left side view of the radio; and,

FIG. 7 is a right side view of the radio.

1 Claim, 7 Drawing Sheets



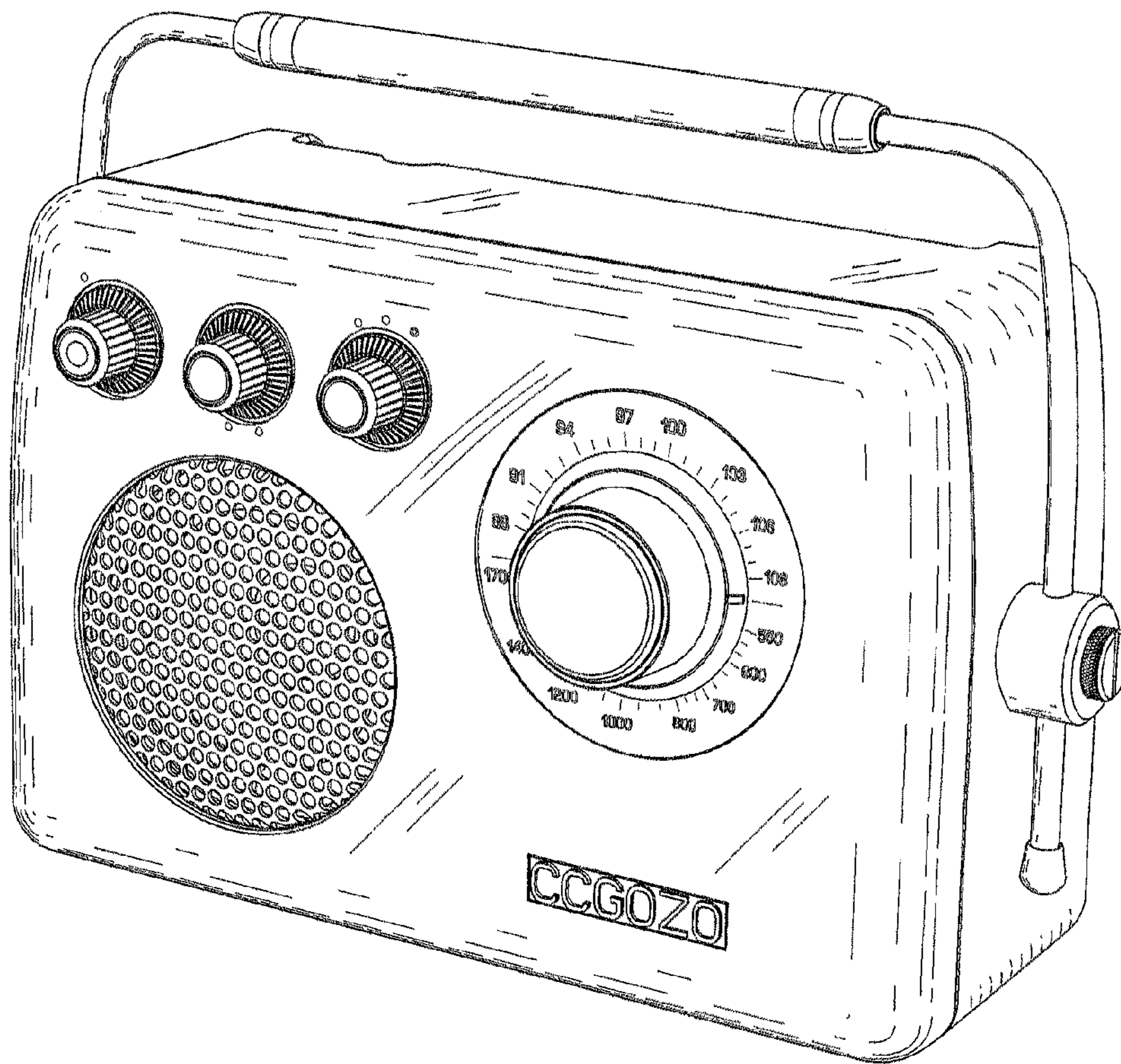


FIG. 1

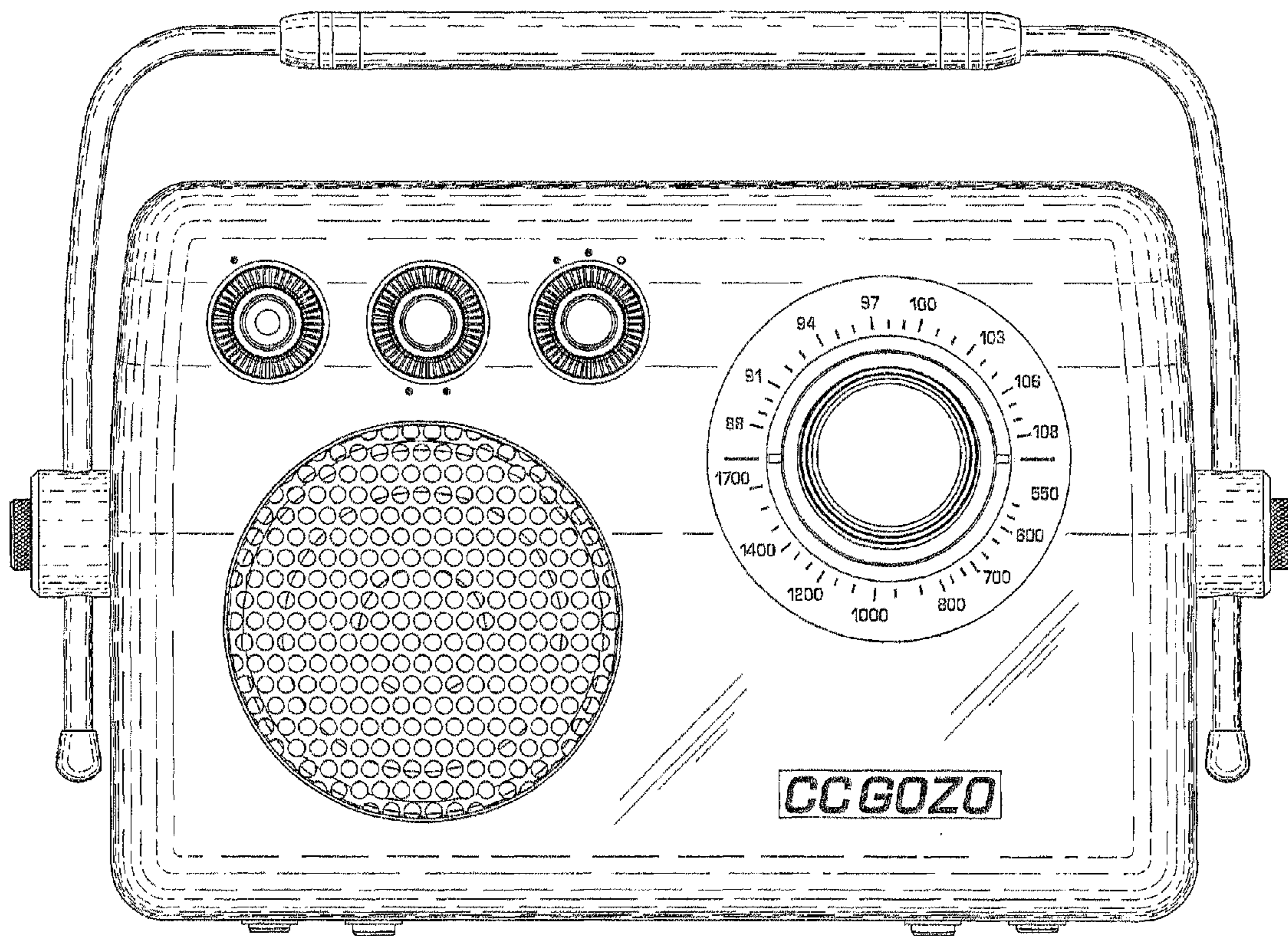


FIG. 2

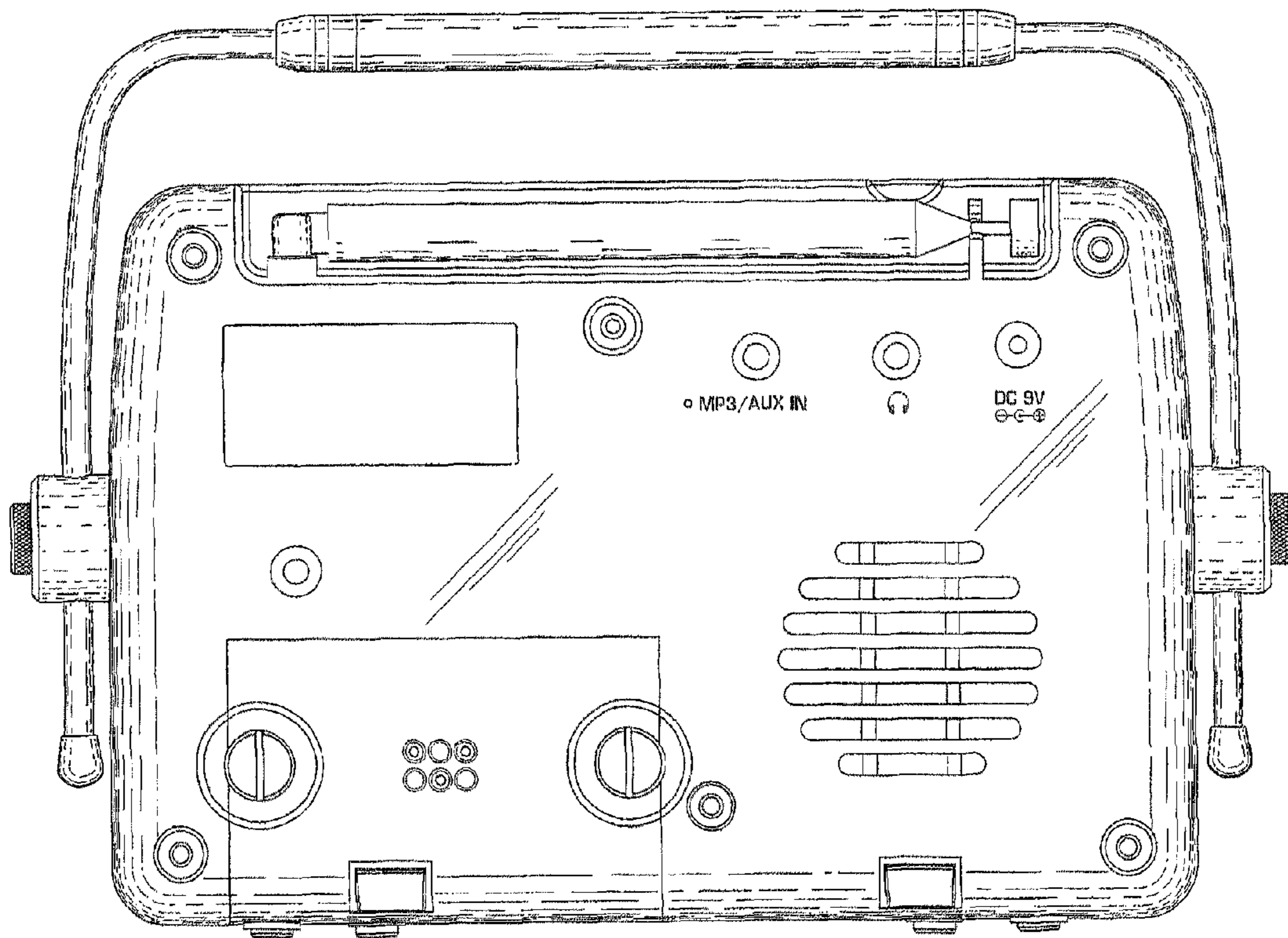


FIG. 3

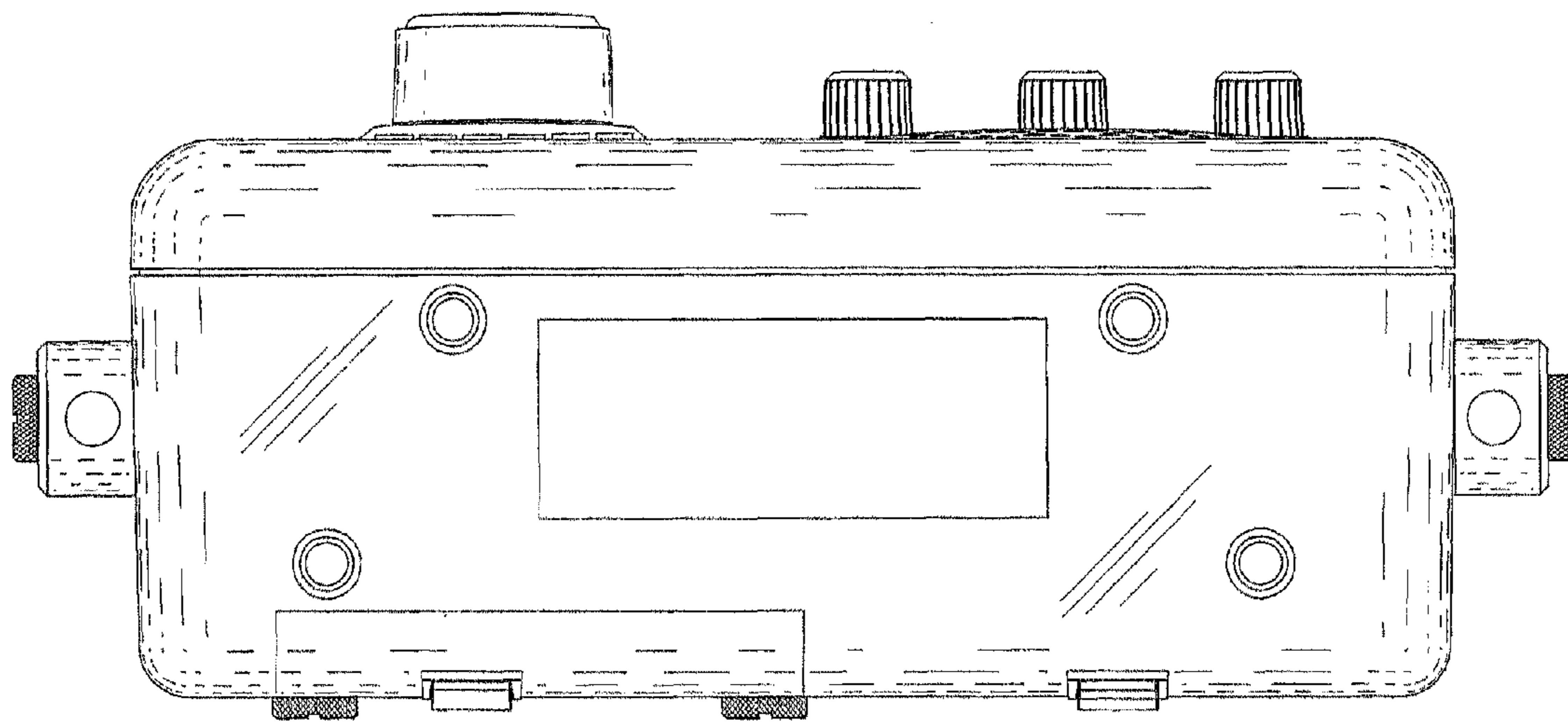


FIG. 4

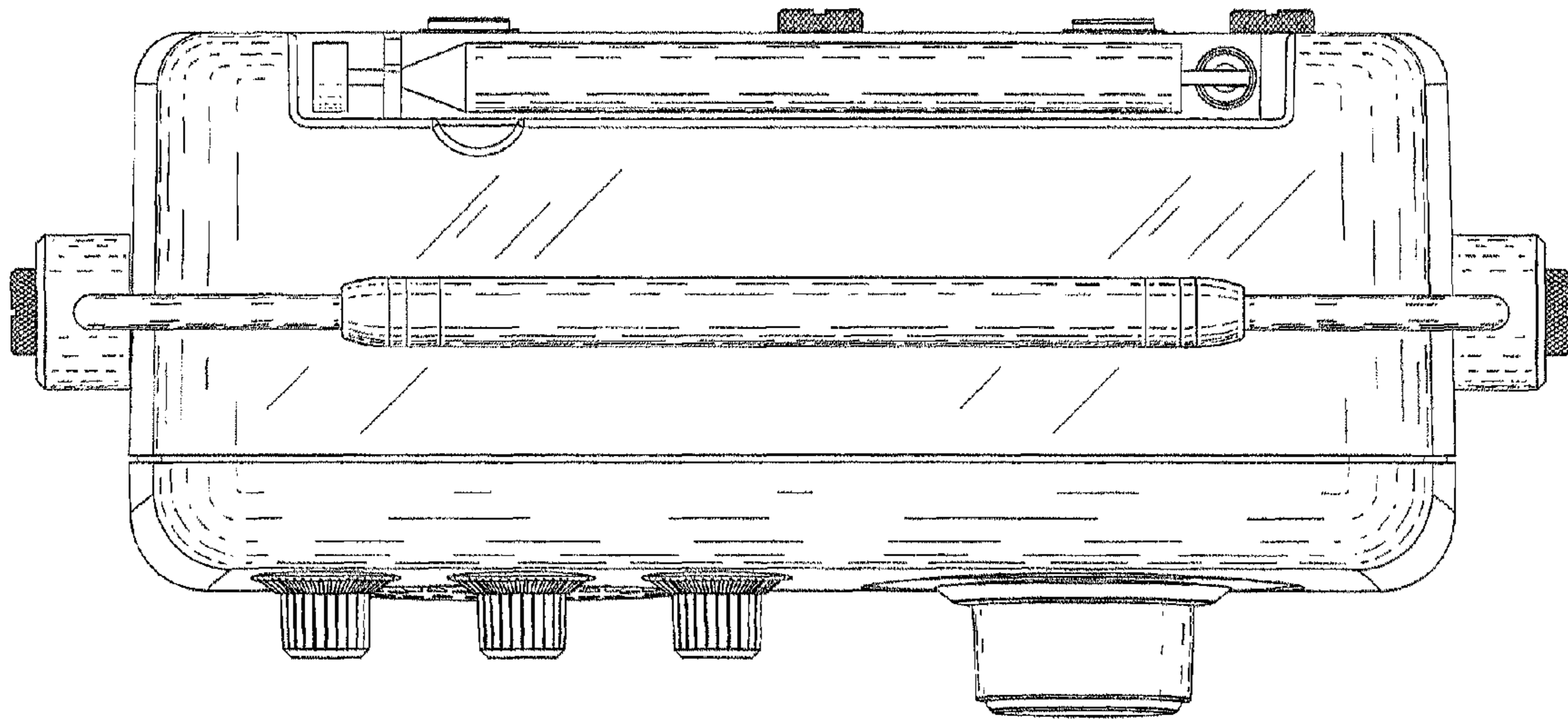


FIG. 5

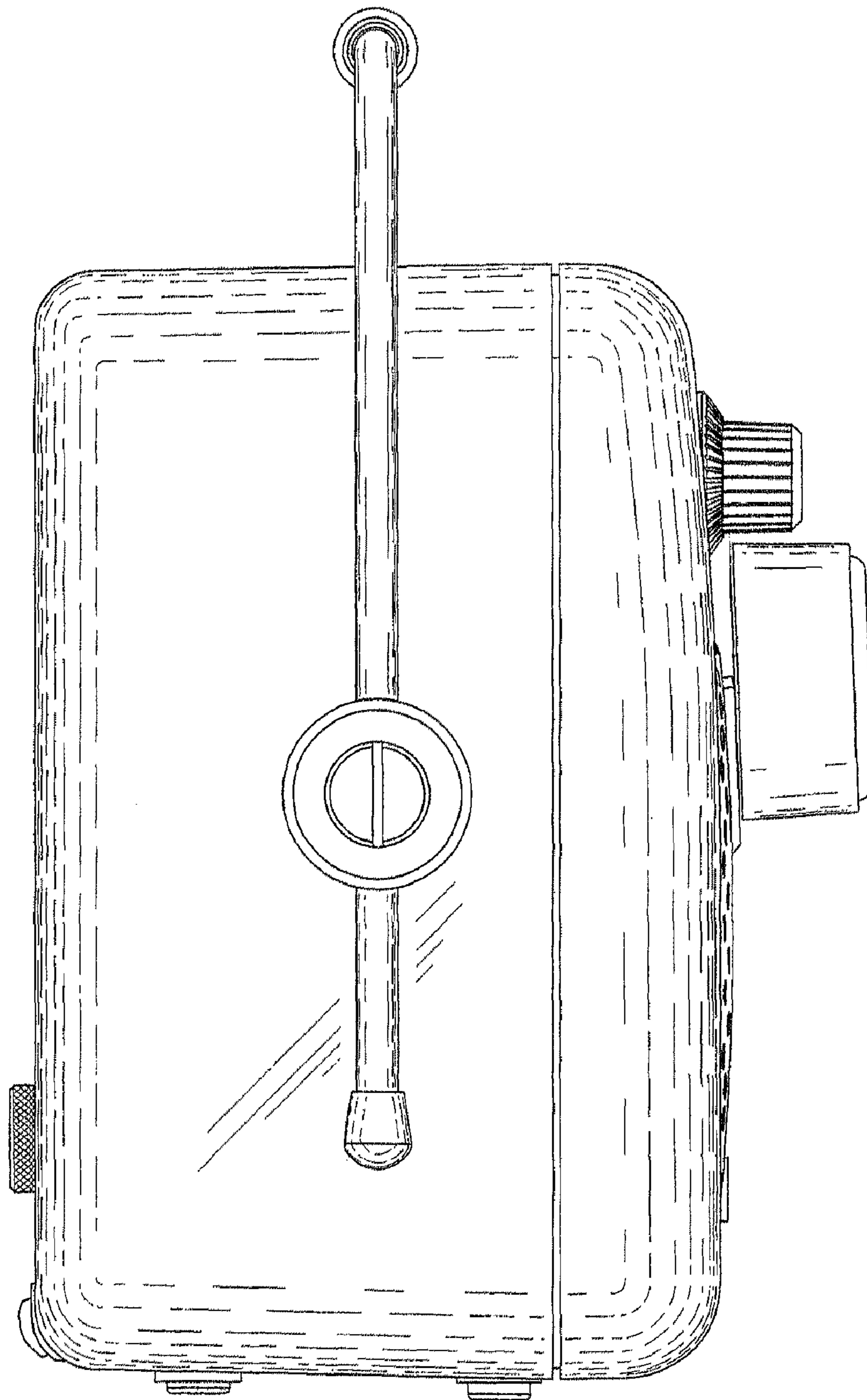


FIG. 6

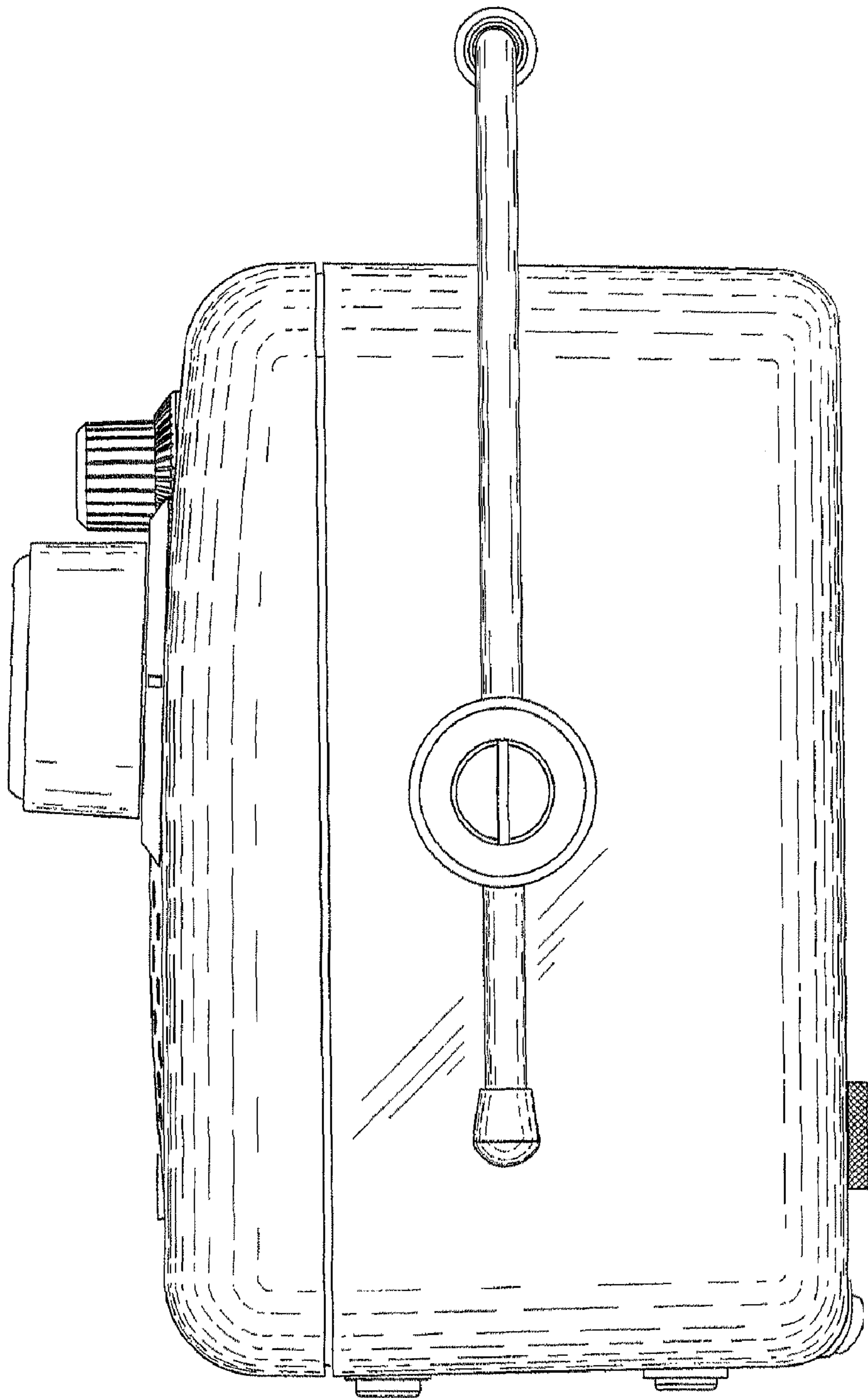


FIG. 7