



US00D658627S

(12) **United States Design Patent**
Katori

(10) **Patent No.:** **US D658,627 S**
(45) **Date of Patent:** **** May 1, 2012**

(54) **TELEPHONE BASE UNIT**
(75) Inventor: **Takehito Katori**, Fukuoka (JP)
(73) Assignee: **Panasonic Corporation**, Osaka (JP)
(**) Term: **14 Years**

D585,397 S 1/2009 Hwang
D596,598 S * 7/2009 Huang et al. D14/130
D604,258 S * 11/2009 Rinaldi et al. D14/130
D615,066 S * 5/2010 Huang et al. D14/142
D618,192 S * 6/2010 Huang et al. D14/130
D629,381 S * 12/2010 Verthein et al. D14/142
D653,232 S * 1/2012 Jones et al. D14/144
D653,646 S * 2/2012 Hovdal D14/142

(21) Appl. No.: **29/381,954**
(22) Filed: **Dec. 27, 2010**
(51) **LOC (9) Cl.** **14-03**
(52) **U.S. Cl.** **D14/142; D14/130**
(58) **Field of Classification Search** D14/130,
D14/138 R, 140, 140.1, 142, 144-145, 147-151,
D14/158-159, 168, 240, 242, 243, 496, 217,
D14/329-330, 434, 466-467, 125-129; 379/387.01,
379/388.02, 420.02, 447, 453, 434; 381/16;
D21/517; 455/351

OTHER PUBLICATIONS

Integrated WiFi IP video phone GXV3175, <URL:http://chucheng.en.alibaba.com/product/427055603-210409356/Integrated_WiFi_IP_video_phone_GXV3175.html>, retrieved from internet Feb. 12, 2012.*
IPhone—Alcatel-Lucent Unveils ‘Smart Desk Phone’, obtained at Internet address <http://iphone.tmcnet.com/topics/iphone/articles/79729-alcatel-lucent-unveils-smart-desk-phone.htm>, 3 pages, Dec. 22, 2010.
AT&T Multi-Line Cordless Phones, AT&T E2662B, obtained at Internet address <http://www.101phones.com/details/7413-1340/att-e2662b.html>, 2 pages, Dec. 22, 2010.

See application file for complete search history.

* cited by examiner

(56) **References Cited**

U.S. PATENT DOCUMENTS

D308,367 S * 6/1990 Nakahara et al. D14/126
5,170,427 A 12/1992 Guichard et al.
D354,954 S * 1/1995 Naito et al. D14/130
D363,285 S 10/1995 Vessey et al.
D370,911 S 6/1996 Mo
D381,981 S 8/1997 Johansson
D382,557 S * 8/1997 Solomita et al. D14/149
D405,447 S 2/1999 Landry et al.
D411,534 S 6/1999 Lepack et al.
D411,987 S * 7/1999 Mizusugi et al. D14/329
D418,505 S 1/2000 Wood et al.
6,121,958 A 9/2000 Clark et al.
D449,594 S * 10/2001 Shen et al. D14/240
D461,462 S 8/2002 Shen et al.
6,574,488 B2 * 6/2003 Oba et al. 455/566
D518,799 S * 4/2006 Peng D14/126
D529,477 S 10/2006 Hsu
D556,180 S 11/2007 Udagawa et al.
D558,181 S 12/2007 Takada et al.
D562,304 S 2/2008 Takada et al.
D571,777 S * 6/2008 Waterman et al. D14/151
D575,263 S 8/2008 Brown et al.
D576,998 S 9/2008 Furuno
D581,897 S 12/2008 Katori

Primary Examiner — Carla Wright

(74) *Attorney, Agent, or Firm* — Brinks Hofer Gilson & Lione

(57) **CLAIM**

I claim the ornamental design for a telephone base unit, as shown and described.

DESCRIPTION

FIG. 1 is a front perspective view of a telephone base unit of the present invention;
FIG. 2 is a front view thereof;
FIG. 3 is a rear view thereof;
FIG. 4 is a first side view thereof;
FIG. 5 is a second side view thereof;
FIG. 6 is a top view thereof; and,
FIG. 7 is a bottom view thereof.
The broken line showing of telephone base unit is included for the purpose of illustrating environment and forms no part of the claimed design.

1 Claim, 7 Drawing Sheets

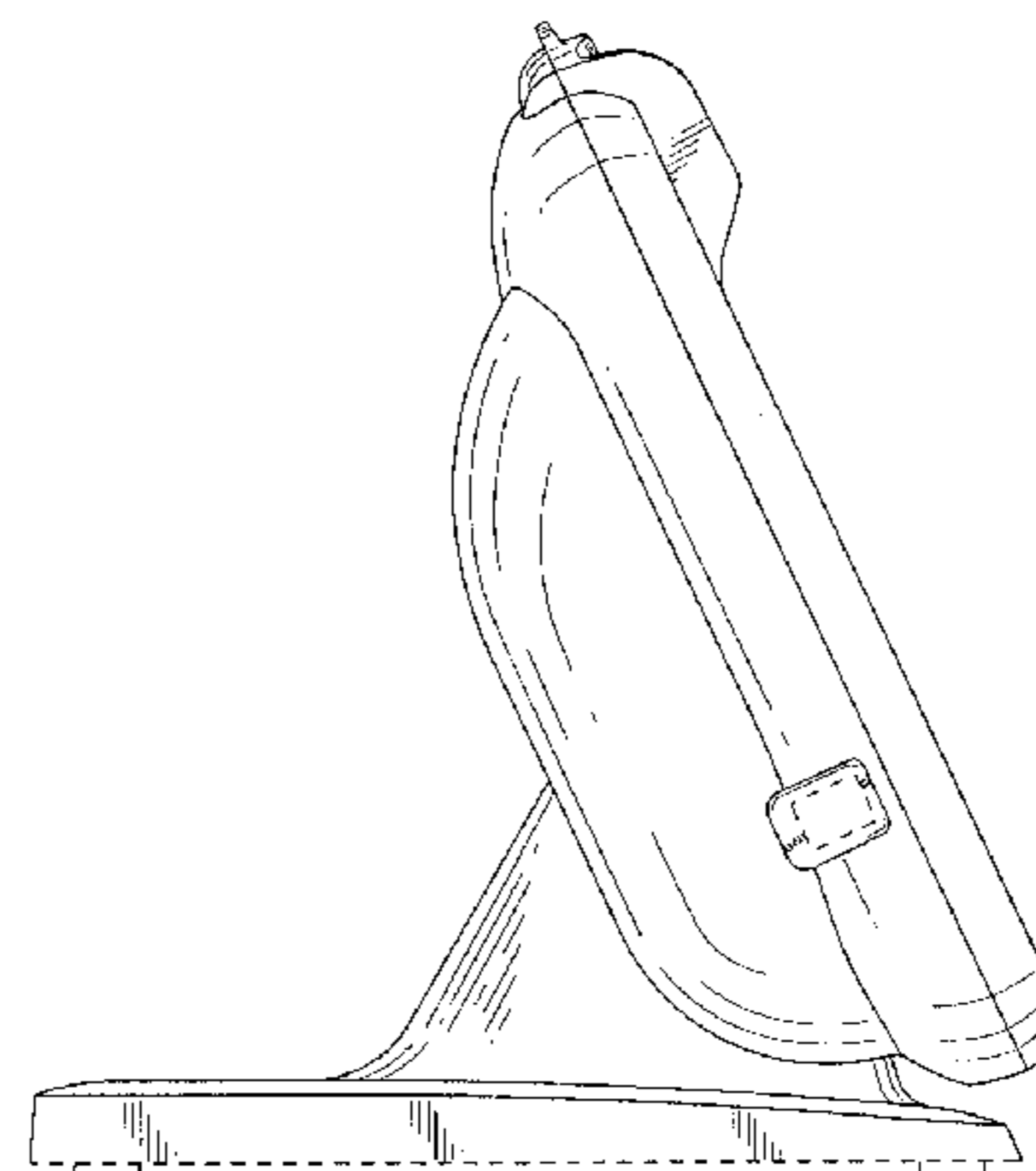
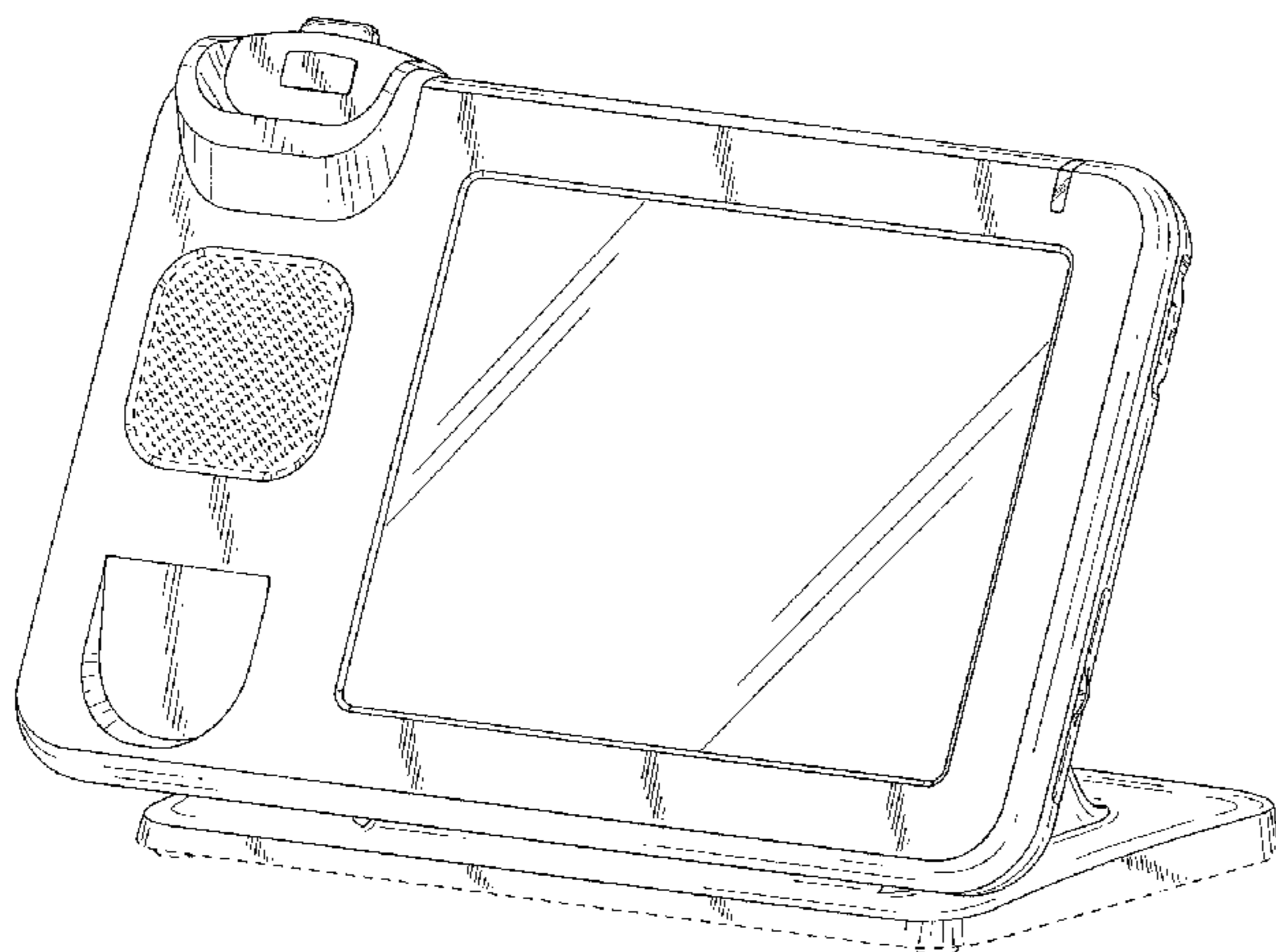


FIG.1

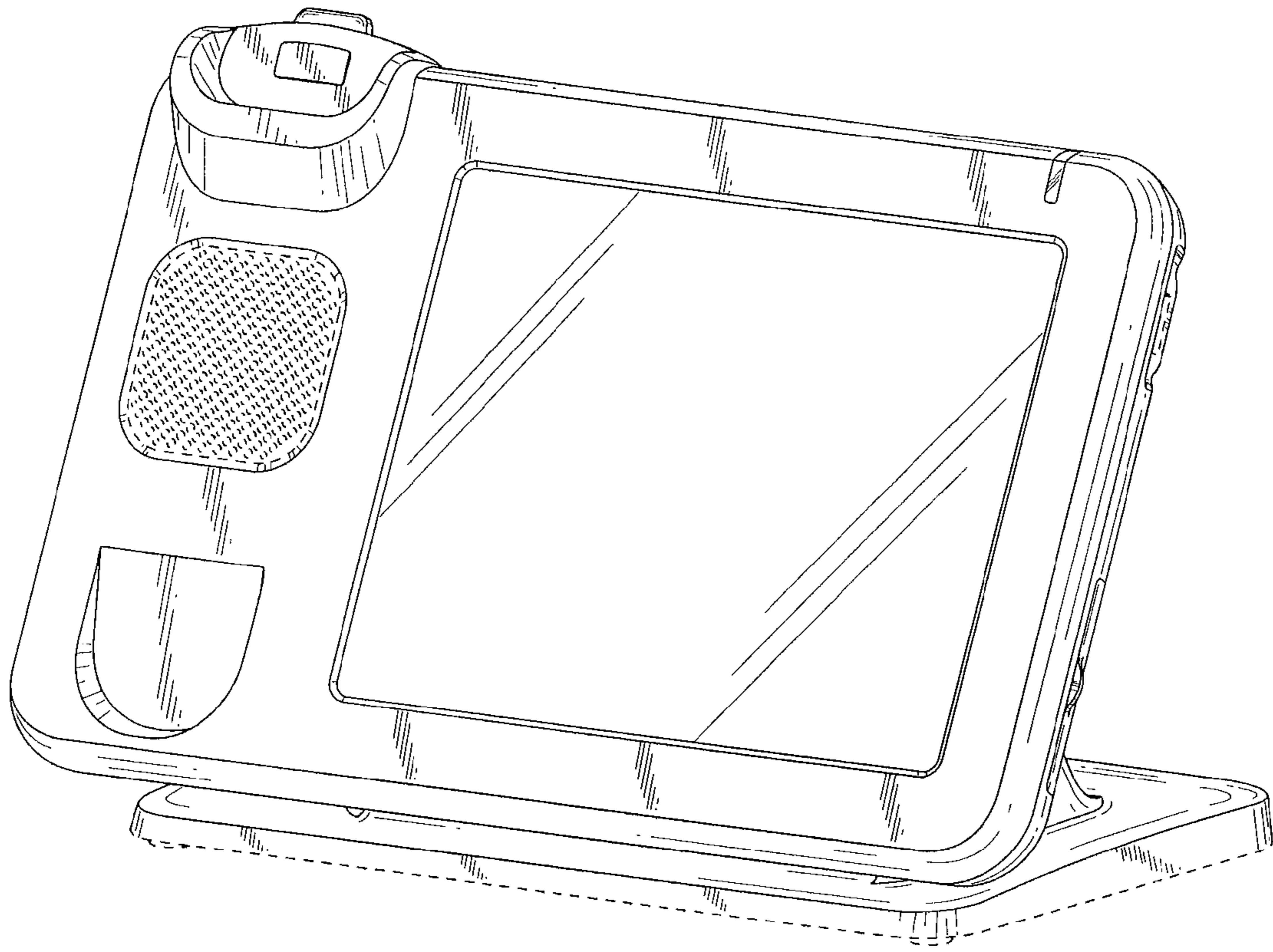


FIG.2

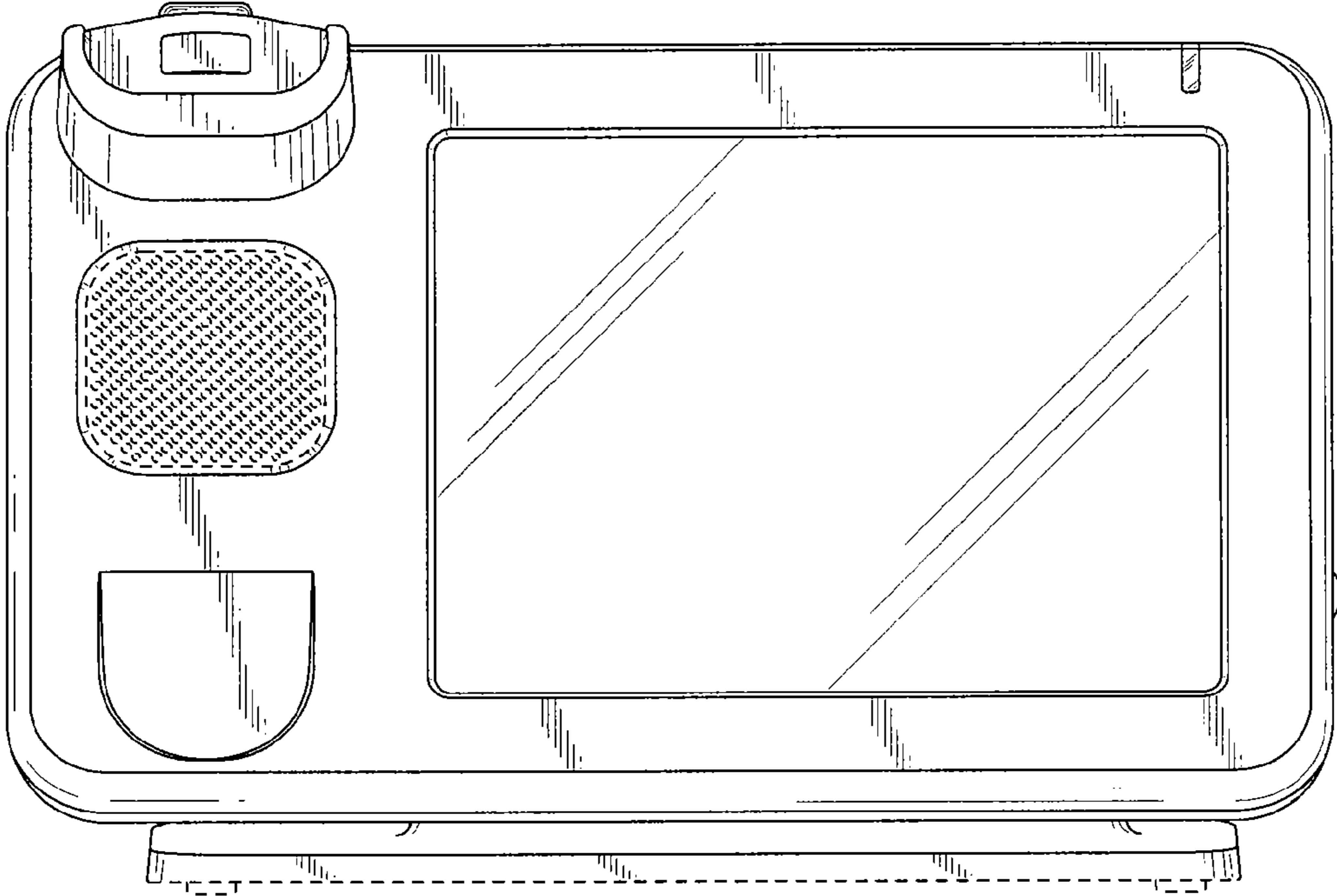


FIG.3

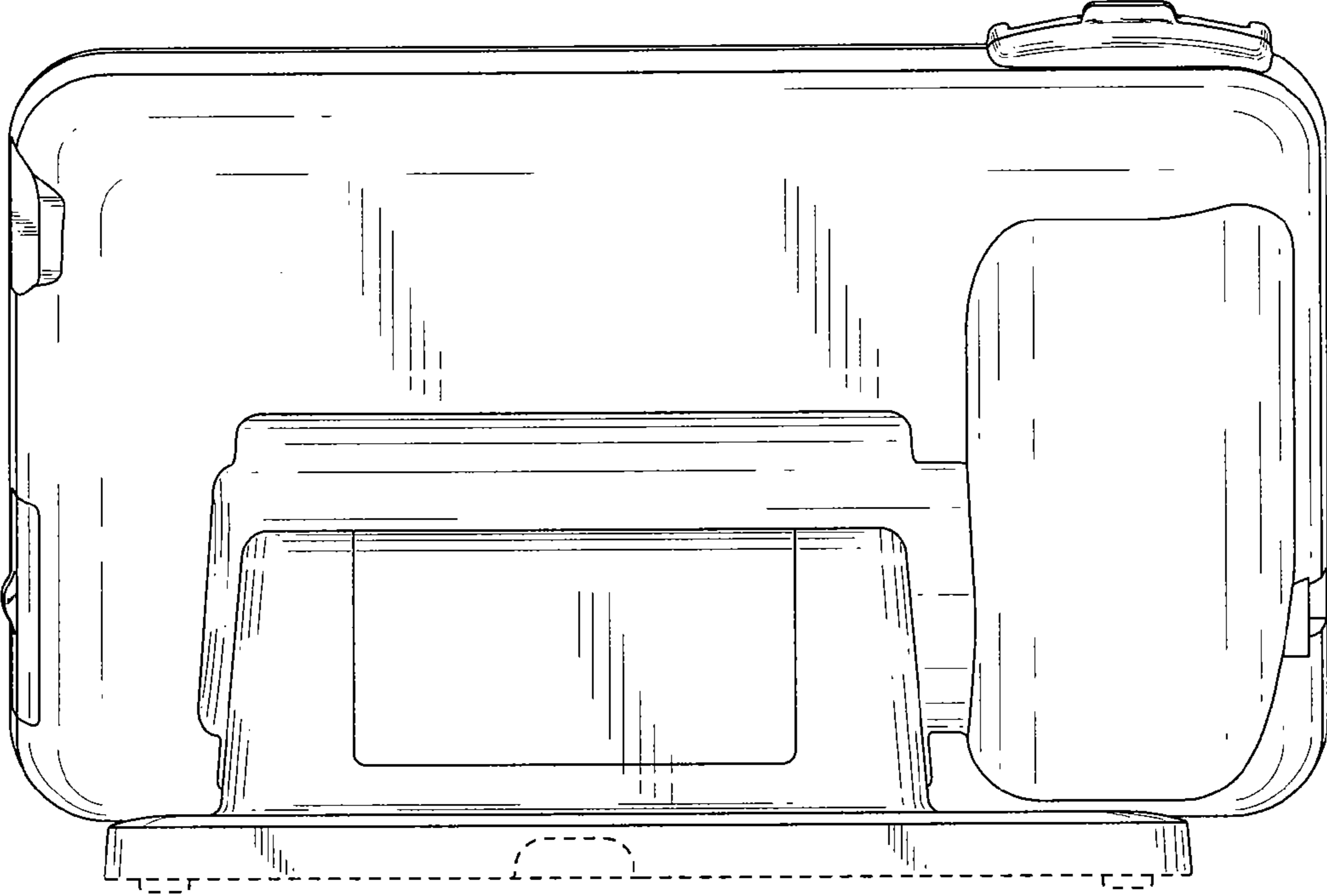


FIG.4

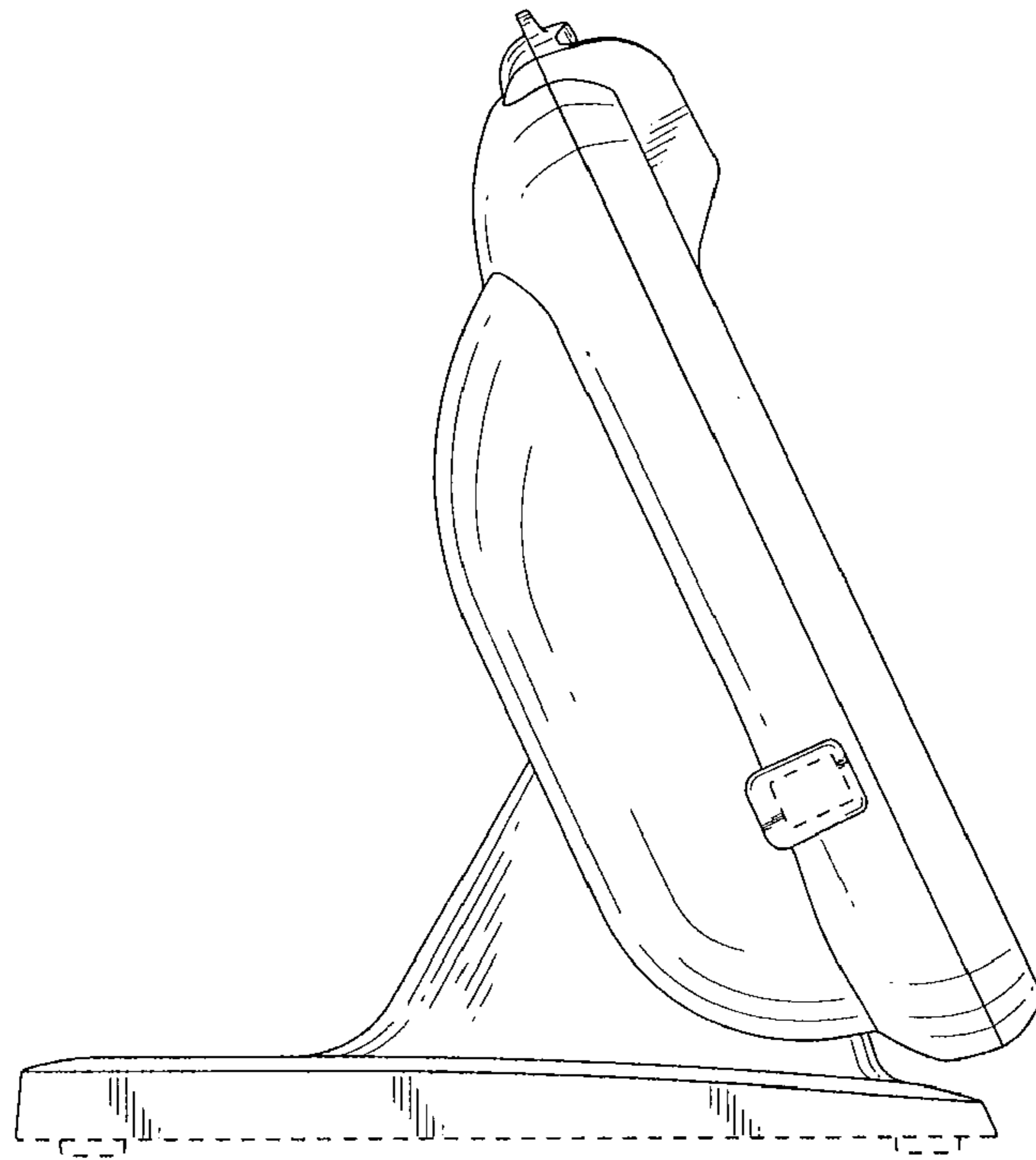


FIG.5

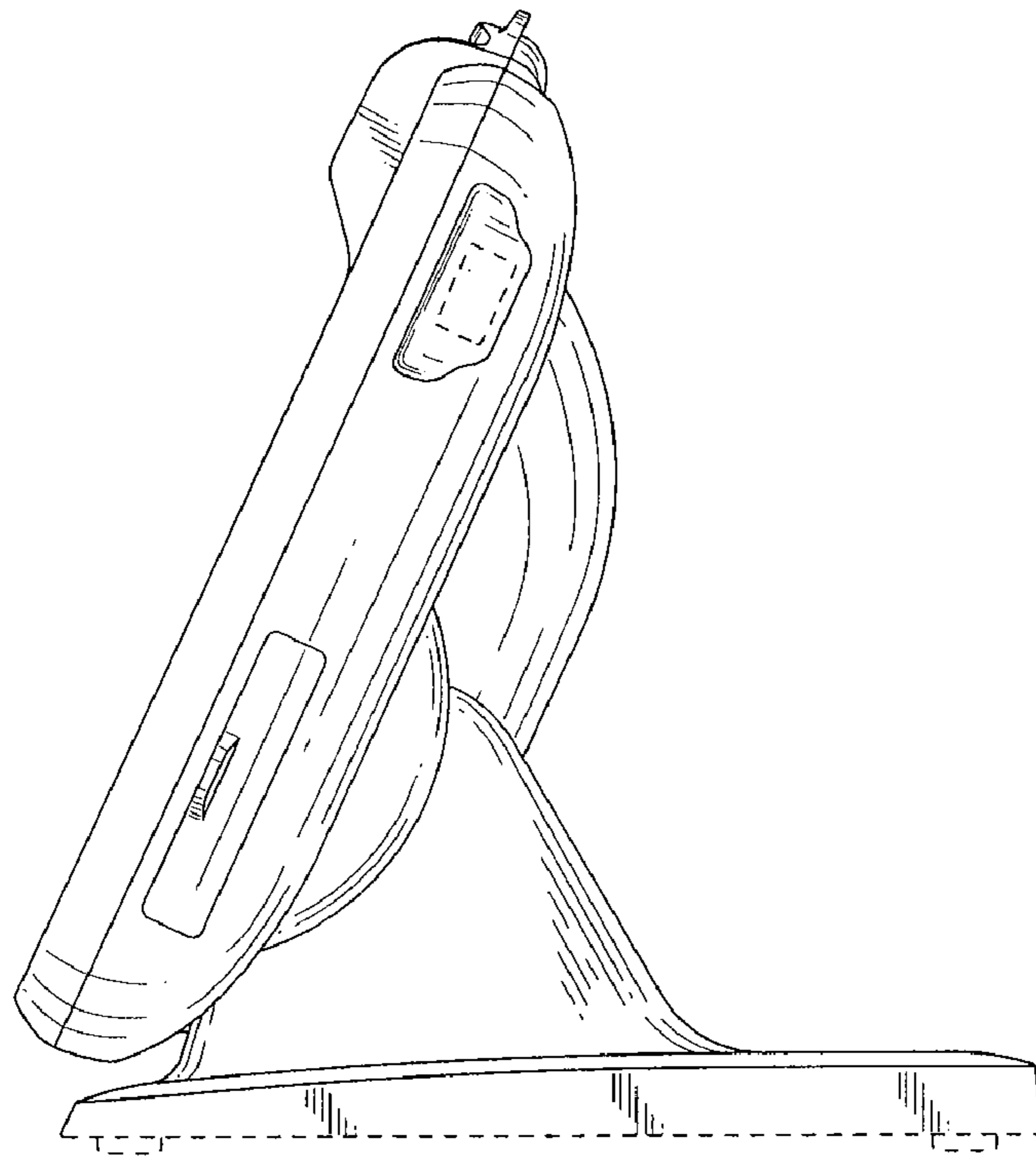


FIG.6

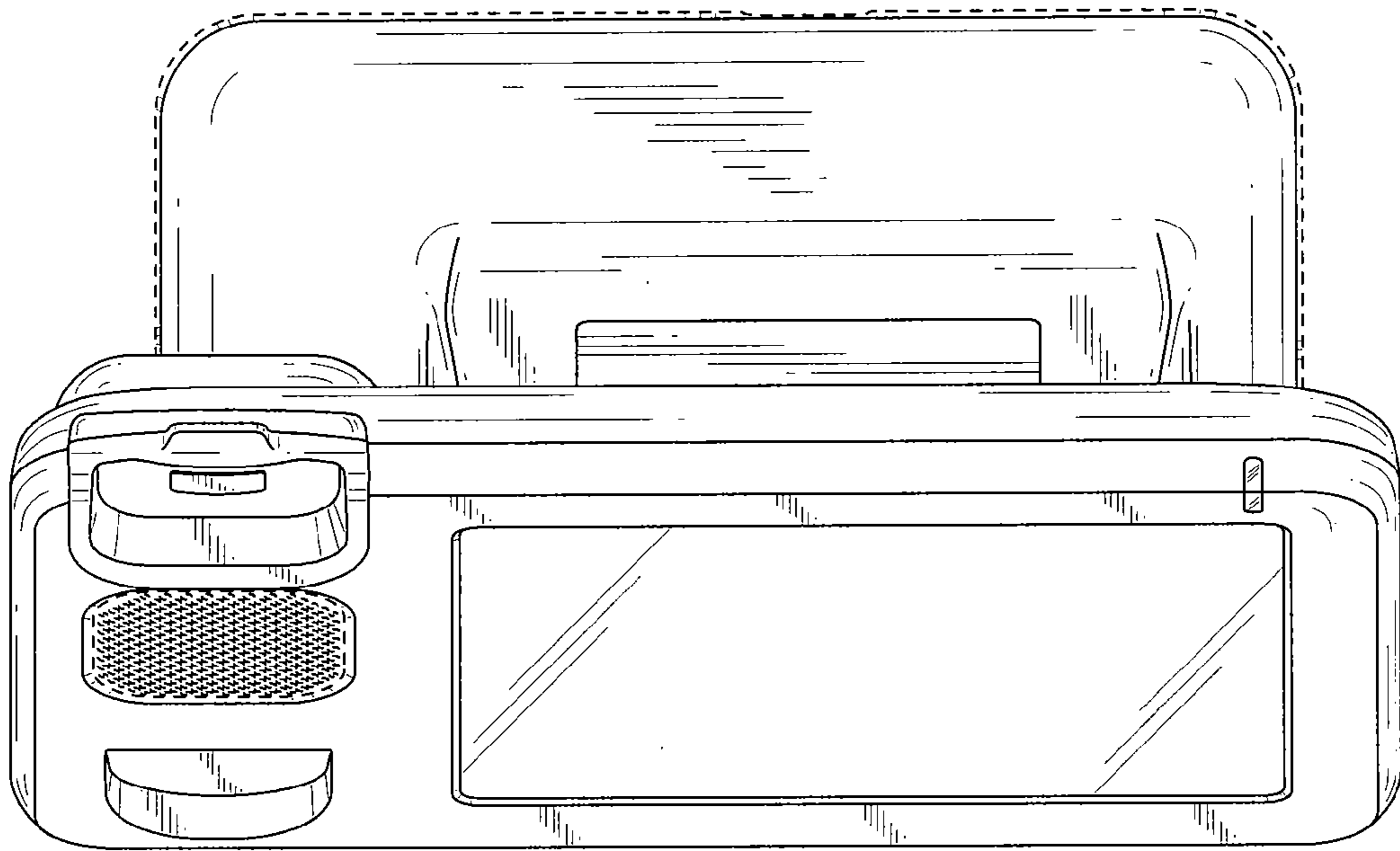


FIG.7

