



US00D658625S

(12) **United States Design Patent**
Paradise et al.

(10) **Patent No.:** **US D658,625 S**
(45) **Date of Patent:** **** May 1, 2012**

(54) **COMMUNICATION DEVICE**

(75) Inventors: **Michael F. Paradise**, Chicago, IL (US);
Matthew B Ansley, Muskego, WI (US)

(73) Assignee: **Motorola Mobility, Inc.**, Libertyville, IL (US)

(**) Term: **14 Years**

(21) Appl. No.: **29/400,031**

(22) Filed: **Aug. 23, 2011**

(51) **LOC (9) Cl.** **14-03**

(52) **U.S. Cl.** **D14/138 AA**

(58) **Field of Classification Search** D14/138 AA,
D14/138 AC, 138 R, 138 AD, 138 AB, 496,
D14/341, 345, 346, 203.1, 203.4, 203.7, 218,
D14/137, 144, 147; D13/184; 455/575.1,
455/575.3, 575.4, 556.2; 379/433.01, 433.04,
379/433.11, 433.12, 433.13; D21/517

See application file for complete search history.

(56) **References Cited**

U.S. PATENT DOCUMENTS

5,982,520	A *	11/1999	Weiser et al.	398/126
D502,159	S *	2/2005	Chan et al.	D14/138 AA
D545,803	S *	7/2007	Chen	D14/138 AA
D548,216	S *	8/2007	Pan et al.	D14/138 AA
D582,914	S *	12/2008	Croley et al.	D14/341
D591,742	S *	5/2009	Hofer et al.	D14/346
D597,047	S *	7/2009	Jung et al.	D14/138 AA
D598,887	S *	8/2009	Xiao et al.	D14/138 AA
D601,533	S *	10/2009	Youn et al.	D14/138 AA
D608,749	S *	1/2010	Wang et al.	D14/138 AA
D608,755	S *	1/2010	Wang et al.	D14/138 AA
D608,757	S *	1/2010	Wang et al.	D14/138 AA
D609,207	S *	2/2010	Leung et al.	D14/138 AA
D613,707	S *	4/2010	Park et al.	D14/138 AA
D621,809	S *	8/2010	Cui	D14/138 AA
D637,988	S *	5/2011	Jinkinson	D14/138 AA
D637,991	S *	5/2011	Hu	D14/138 AA
D641,336	S *	7/2011	Chung	D14/138 AA
D648,301	S *	11/2011	Zuffo et al.	D14/138 AA

D648,302	S *	11/2011	Park et al.	D14/138 AA
D648,699	S *	11/2011	Park et al.	D14/138 AA
2008/0160979	A1 *	7/2008	Huang	455/418
2009/0174666	A1 *	7/2009	Matsuoka	345/169
2010/0267426	A1 *	10/2010	Kang et al.	455/575.1

OTHER PUBLICATIONS

Motorola XPRT telephone, announced May 2011, [online], [site visited Nov. 1, 2011]. Available from Internet, <URL: <http://www.gsmarena.com>>.*

Motorola PRO telephone, announced Feb. 2011, [online], [site visited Nov. 1, 2011]. Available from Internet, <URL: <http://www.gsmarena.com>>.*

Sony Ericsson W960 telephone, announced Jun. 2007, [online], [site visited Nov. 1, 2011]. Available from Internet, <URL: <http://www.gsmarena.com>>.*

i-mate Ultimate 8502 telephone, announced Oct. 2007, [online], [site visited Nov. 1, 2011]. Available from Internet, <URL: <http://www.gsmarena.com>>.*

Plum Tracer telephone, announced Sep. 2011, [online], [site visited Nov. 1, 2011]. Available from Internet, <URL: <http://www.gsmarena.com>>.*

* cited by examiner

Primary Examiner — Jeffrey D Asch

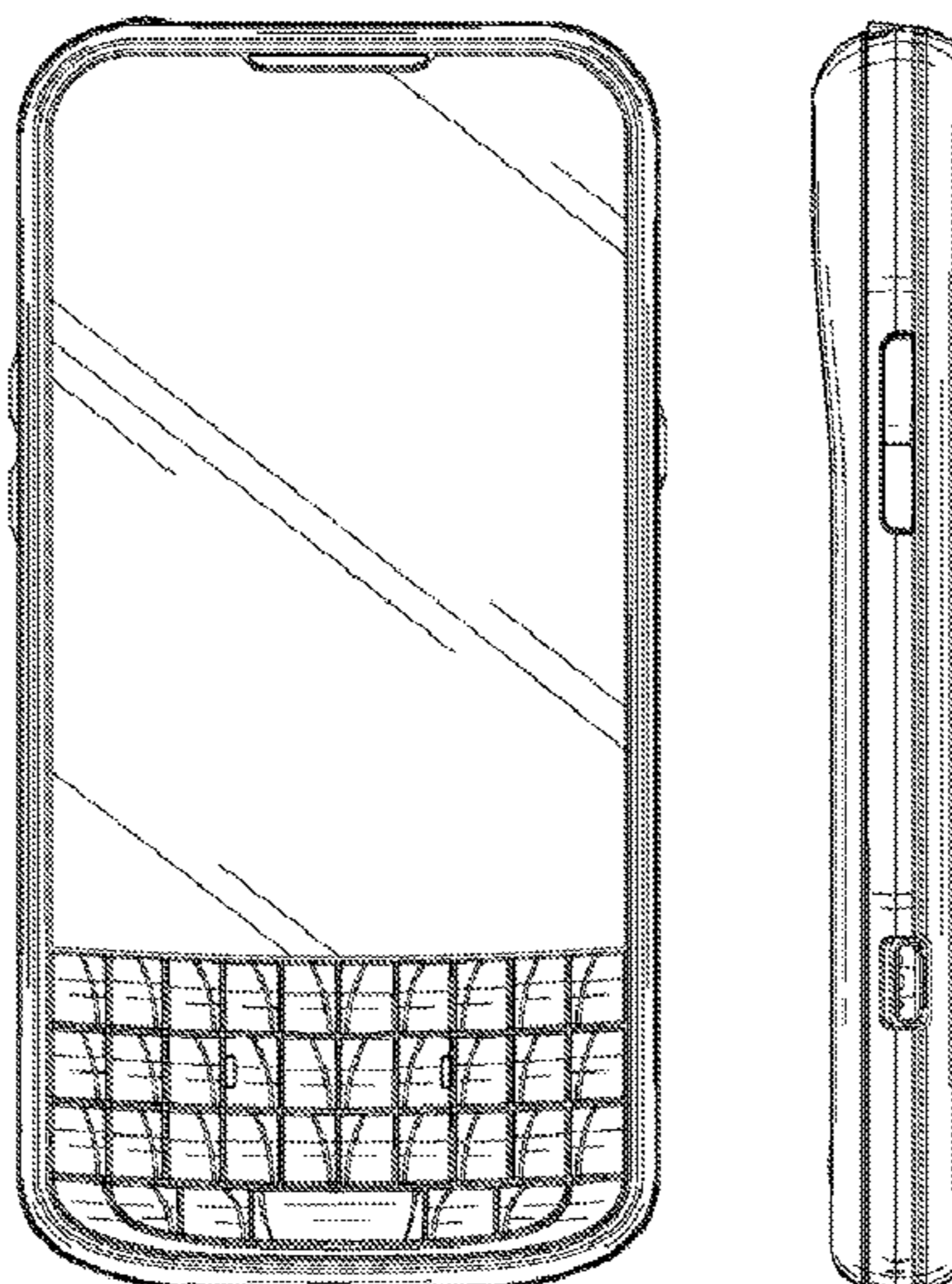
(57) **CLAIM**

The ornamental design for a communication device, as shown and described.

DESCRIPTION

FIG. 1 is a front perspective view of an ornamental design for a communication device;
FIG. 2 is a rear perspective view thereof;
FIG. 3 is a front view thereof;
FIG. 4 is a rear view thereof;
FIG. 5 is a first side view thereof;
FIG. 6 is a second side view thereof;
FIG. 7 is a top view thereof; and,
FIG. 8 is a bottom view thereof.

1 Claim, 5 Drawing Sheets



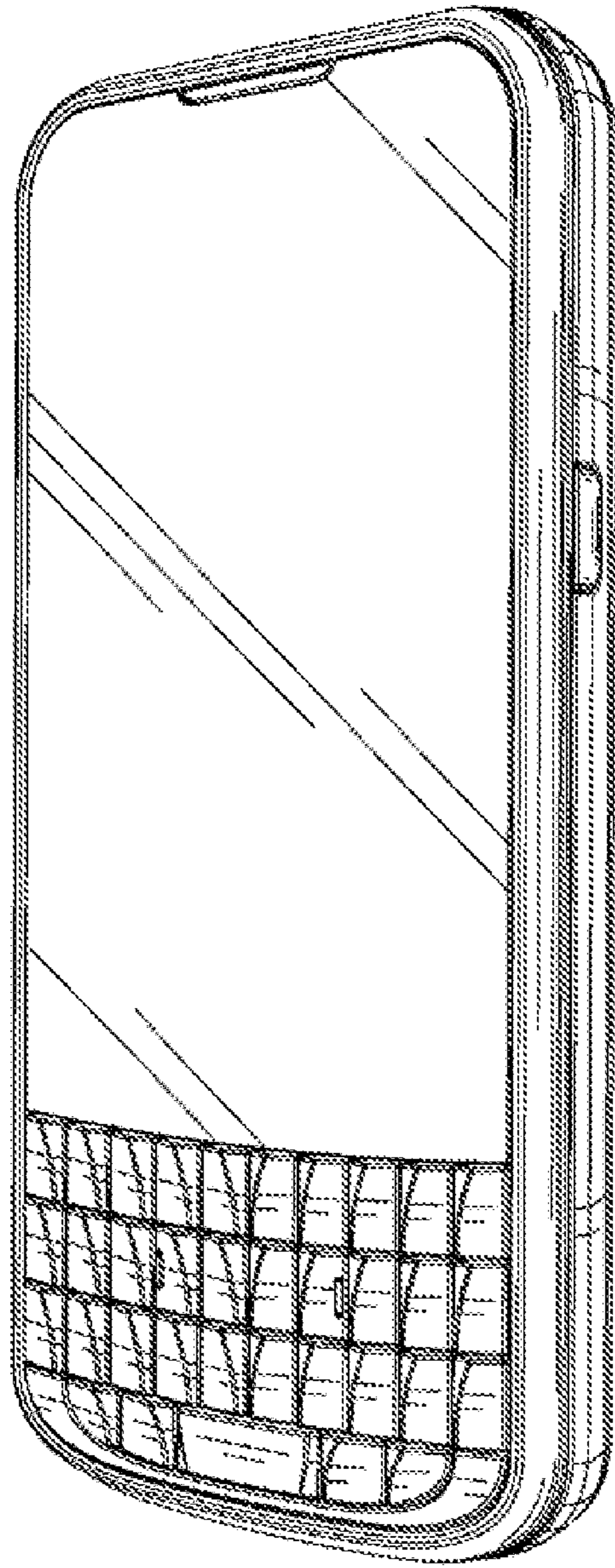


FIG. 1

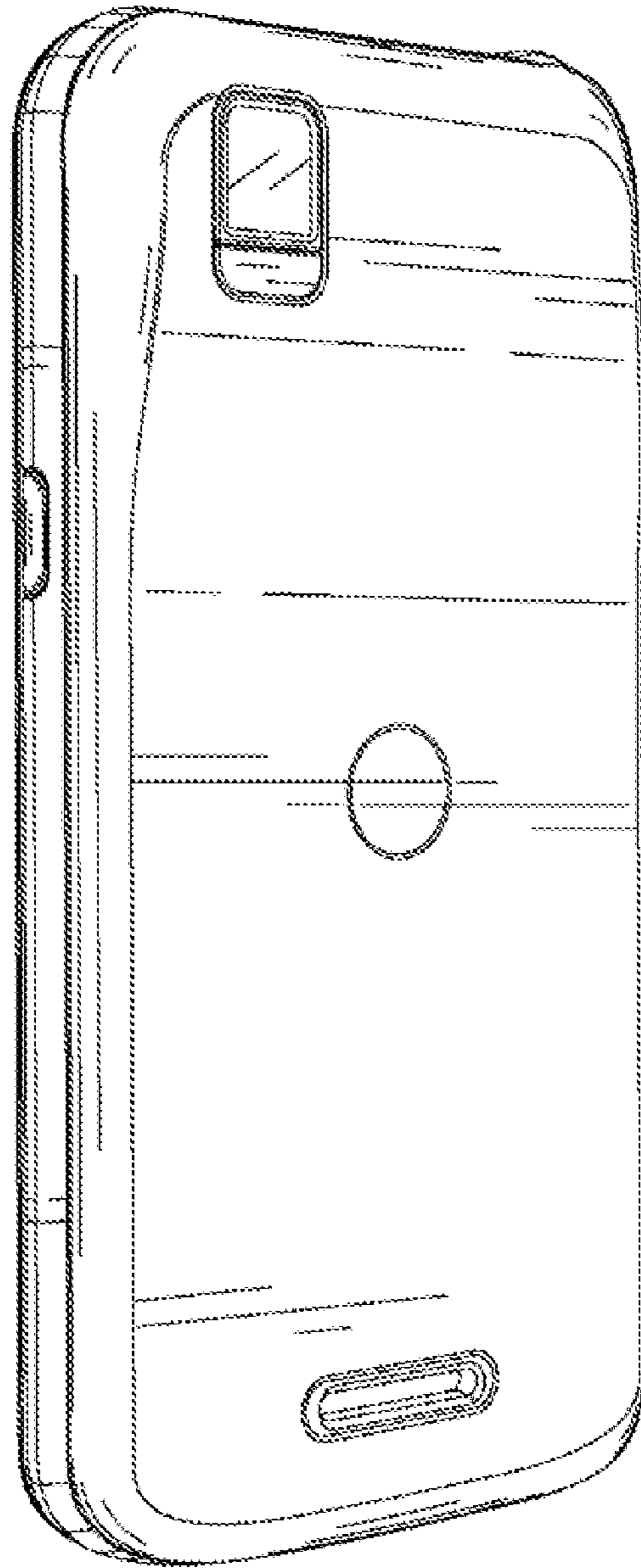


FIG. 2

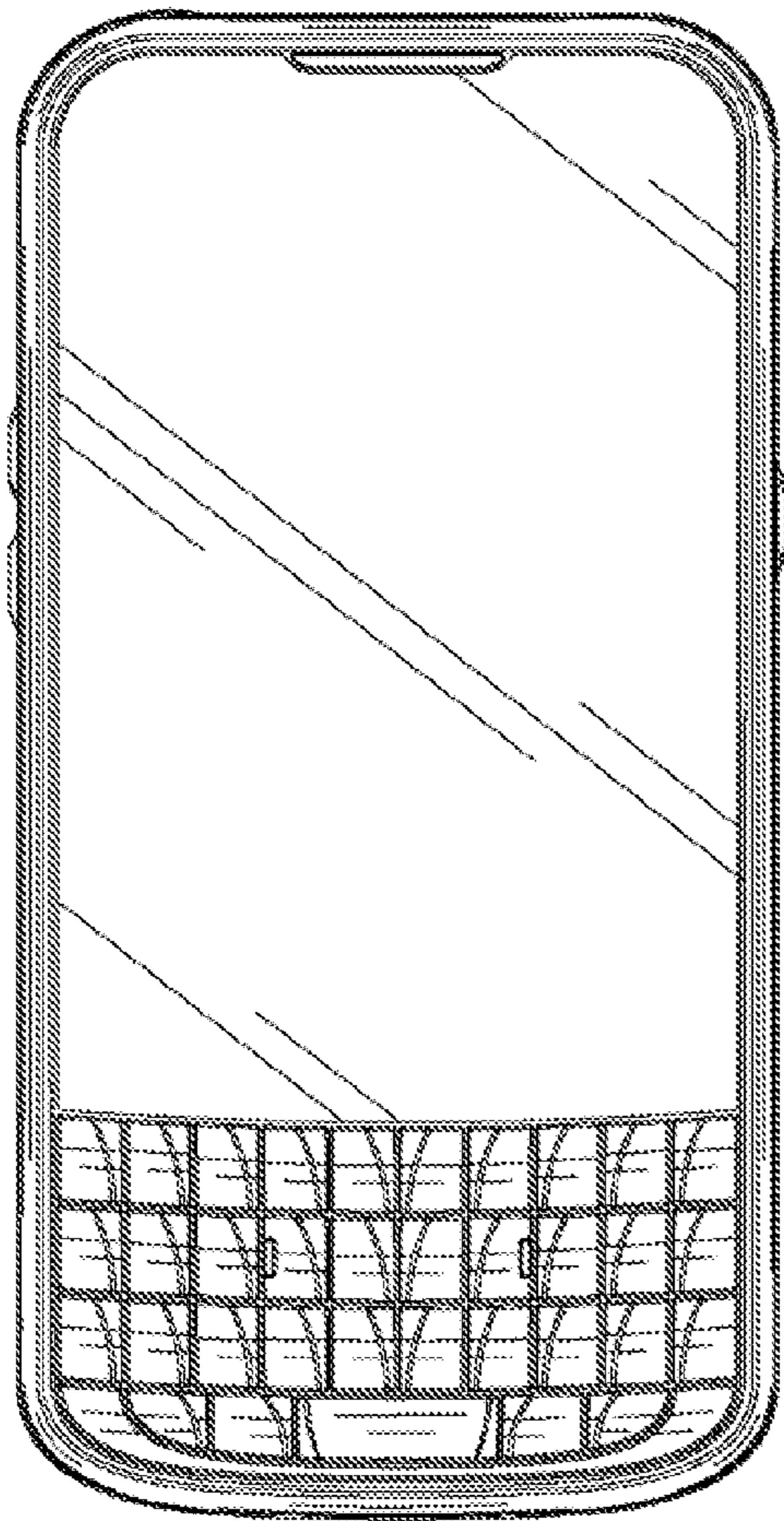


FIG. 3

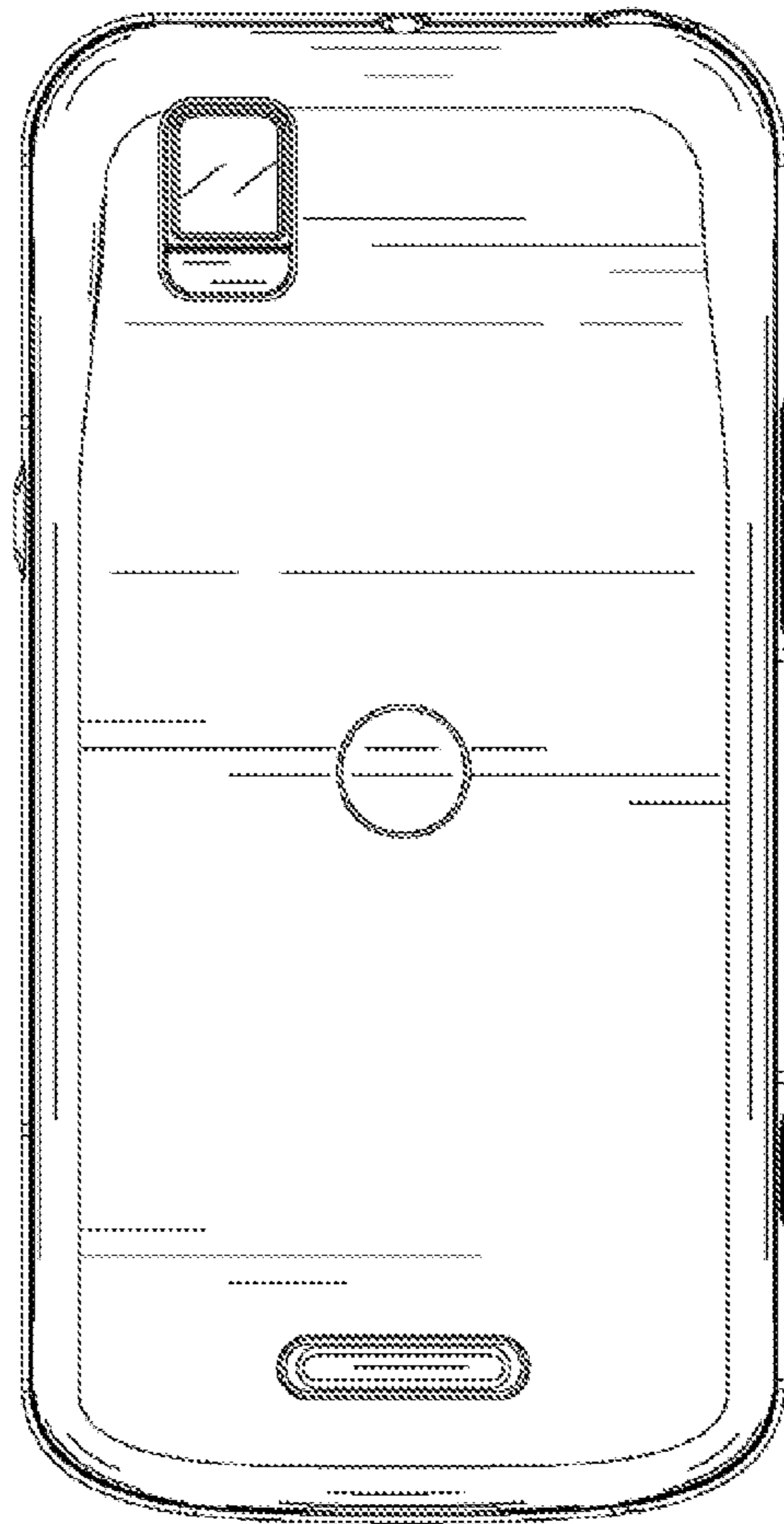


FIG. 4

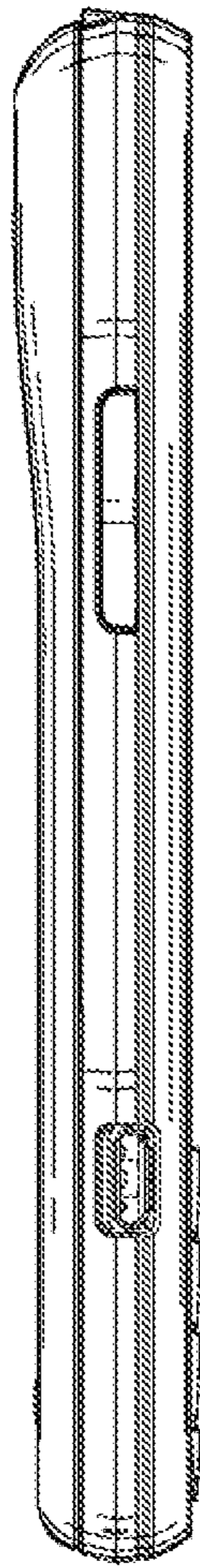


FIG. 5

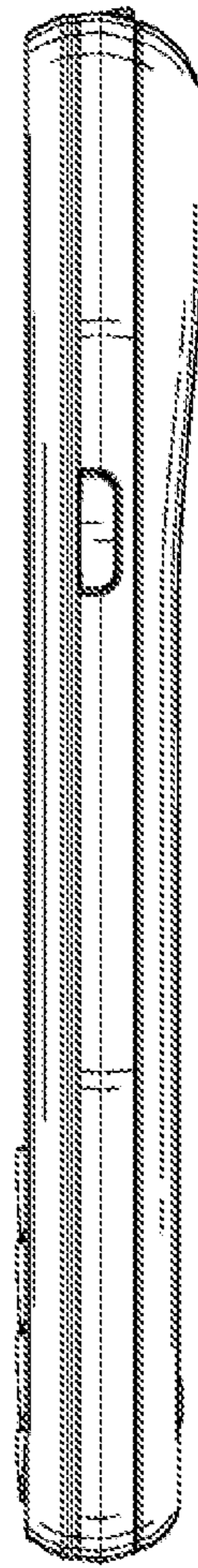


FIG. 6

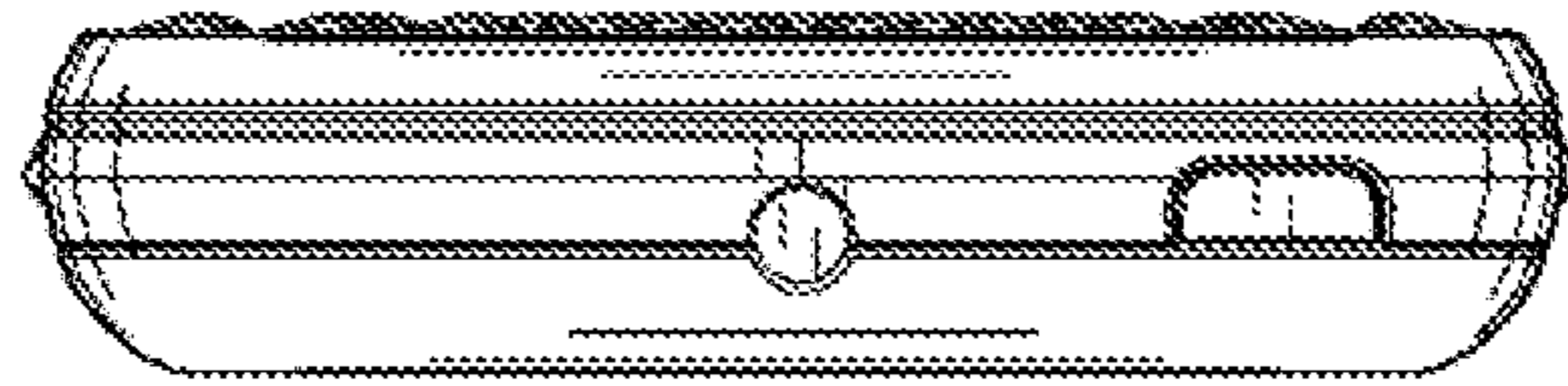


FIG. 7

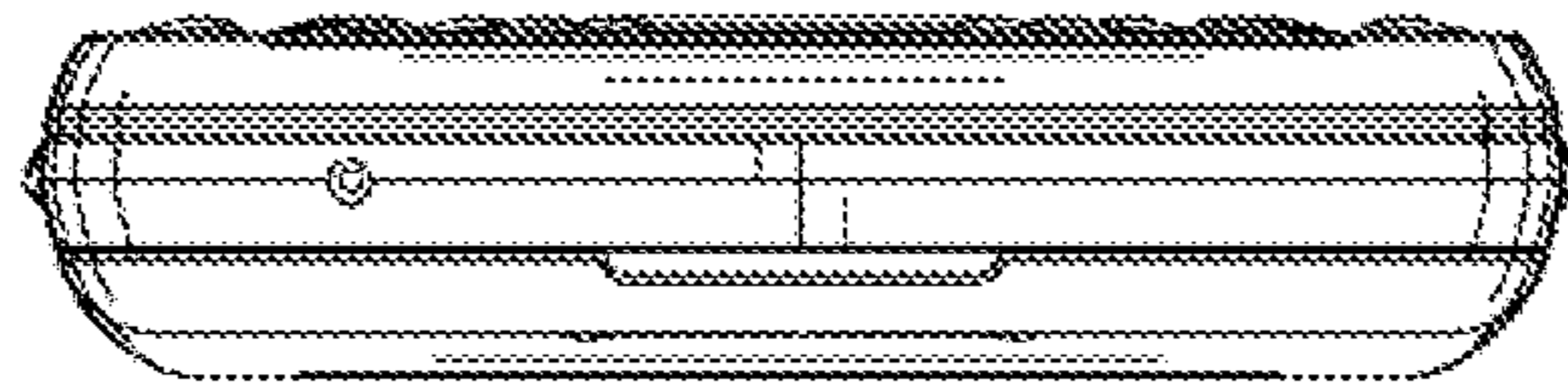


FIG. 8