



US00D658617S

(12) **United States Design Patent**  
**Koh**

(10) **Patent No.:** **US D658,617 S**

(45) **Date of Patent:** **\*\* \*May 1, 2012**

(54) **MOBILE PHONE**

(75) Inventor: **Min-Ah Koh**, Seoul (KR)

(73) Assignee: **Samsung Electronics Co., Ltd.**,  
Suwon-Si (KR)

(\*) Notice: This patent is subject to a terminal disclaimer.

(\*\*) Term: **14 Years**

(21) Appl. No.: **29/386,462**

(22) Filed: **Mar. 1, 2011**

(30) **Foreign Application Priority Data**

Dec. 16, 2010 (KR) ..... 30-2010-0054568

(51) **LOC (9) Cl.** ..... **14-03**

(52) **U.S. Cl.** ..... **D14/138 AD; D14/138 G**

(58) **Field of Classification Search** ..... D14/138 R,  
D14/138 AD, 138 AC, 138 C, 138 G, 191,  
D14/203.1–203.8, 496, 138 AA, 138 AB,  
D14/137, 147, 218, 341–347, 247–248; D10/65,  
D10/78, 104; D13/168; D18/7; 455/566,  
455/575.1, 575.3, 575.4

See application file for complete search history.

(56) **References Cited**

**U.S. PATENT DOCUMENTS**

D534,516 S \* 1/2007 Lheem ..... D14/138 AD  
D559,220 S \* 1/2008 Lee et al. .... D14/138 AD  
D560,192 S \* 1/2008 Lee et al. .... D14/138 AD  
D563,938 S \* 3/2008 Kim et al. .... D14/138 AD  
D567,819 S \* 4/2008 Devericks et al. .... D14/496  
D574,015 S \* 7/2008 Masui ..... D14/496  
D578,099 S \* 10/2008 Park et al. .... D14/138 AD  
D583,346 S \* 12/2008 Jung et al. .... D14/138 AD

D589,021 S \* 3/2009 Millora ..... D14/138 AD  
D589,487 S \* 3/2009 Park et al. .... D14/138 AD  
D610,568 S \* 2/2010 Yu ..... D14/203.7  
D611,023 S \* 3/2010 Wu et al. .... D14/138 G  
D613,715 S \* 4/2010 Hsu ..... D14/138 AD

(Continued)

**FOREIGN PATENT DOCUMENTS**

CN 301476421 \* 3/2011

**OTHER PUBLICATIONS**

LG GM750, announced Sep. 2009, [online], [retrieved on Sep. 4, 2009]. Retrieved from Internet, <URL: <http://www.gsmarena.com>>.\*

LG KU2100, announced Jan. 2010, [online], [retrieved on Feb. 1, 2010]. Retrieved from Internet, <URL: <http://www.gsmarena.com>>.\*

(Continued)

*Primary Examiner* — Bridget L Eland

(74) *Attorney, Agent, or Firm* — Staas & Halsey LLP

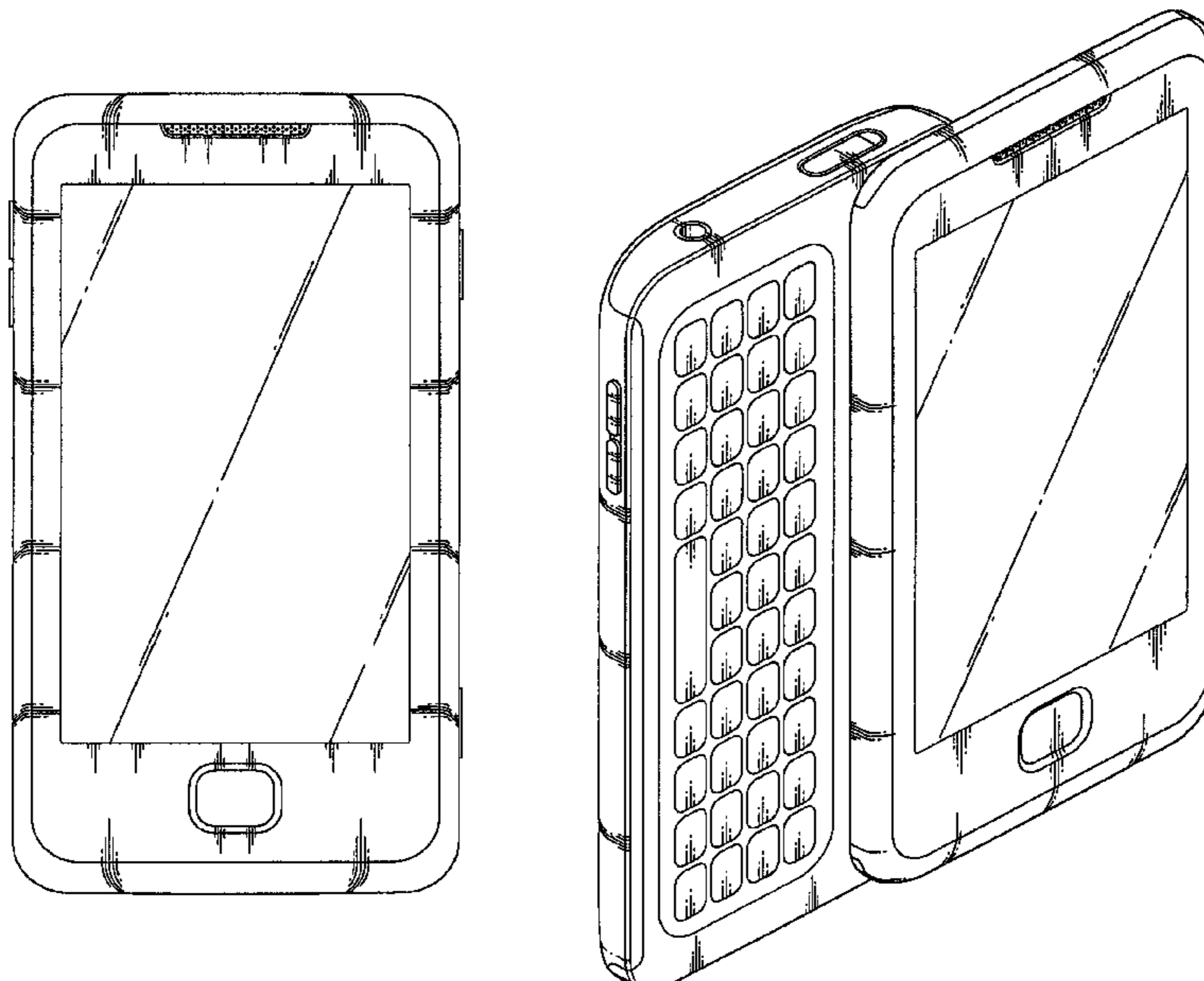
(57) **CLAIM**

The ornamental design for a mobile phone, as shown and described.

**DESCRIPTION**

FIG. 1 is a front perspective view of a mobile phone; FIG. 2 is a front view of the mobile phone of FIG. 1; FIG. 3 is a rear view of the mobile phone of FIG. 1; FIG. 4 is a left-side view of the mobile phone of FIG. 1; FIG. 5 is a right-side view of the mobile phone of FIG. 1; FIG. 6 is a top plan view of the mobile phone of FIG. 1; FIG. 7 is a bottom plan view of the mobile phone of FIG. 1; and, FIG. 8 is an open front perspective view of the mobile phone of FIG. 1.

**1 Claim, 8 Drawing Sheets**



# US D658,617 S

Page 2

---

## U.S. PATENT DOCUMENTS

D620,470 S \* 7/2010 Sohn et al. .... D14/138 AD  
D624,042 S \* 9/2010 Lee et al. .... D14/138 AD  
D626,110 S \* 10/2010 Kim ..... D14/203.7  
D626,937 S \* 11/2010 Yeo et al. .... D14/203.7  
D629,781 S \* 12/2010 Song et al. .... D14/138 G  
D631,455 S \* 1/2011 Kim et al. .... D14/138 AB  
D641,017 S \* 7/2011 Meng ..... D14/341  
D643,010 S \* 8/2011 Park et al. .... D14/138 AB  
D643,827 S \* 8/2011 Lee et al. .... D14/138 G  
2003/0125094 A1 \* 7/2003 Hyun et al. .... 455/566  
2006/0030375 A1 \* 2/2006 Tanaka ..... 455/575.1  
2010/0160005 A1 \* 6/2010 Sip et al. .... 455/575.1  
2011/0169928 A1 \* 7/2011 Gassel et al. .... 348/53

## OTHER PUBLICATIONS

Samsung M190 Galaxy S Hoppin, announced Oct. 2010, [online],  
[retrieved on Feb. 1, 2011]. Retrieved from Internet, <URL: <http://www.gsmarena.com>>.\*  
Samsung I9003 Galaxy SL, announced Feb. 2011, [online],  
[retrieved on Feb. 17, 2011]. Retrieved from Internet, <URL: <http://www.gsmarena.com>>.\*  
Samsung i900 Omnia, announced Jun. 2008, [online], [retrieved on  
Jun. 13, 2008]. Retrieved from Internet, <URL: <http://www.gsmarena.com>>.\*  
ZTE Raise, announced 2009, [online], [retrieved on Feb. 1, 2010].  
Retrieved from Internet, <URL: <http://www.gsmarena.com>>.\*

\* cited by examiner

FIG. 1

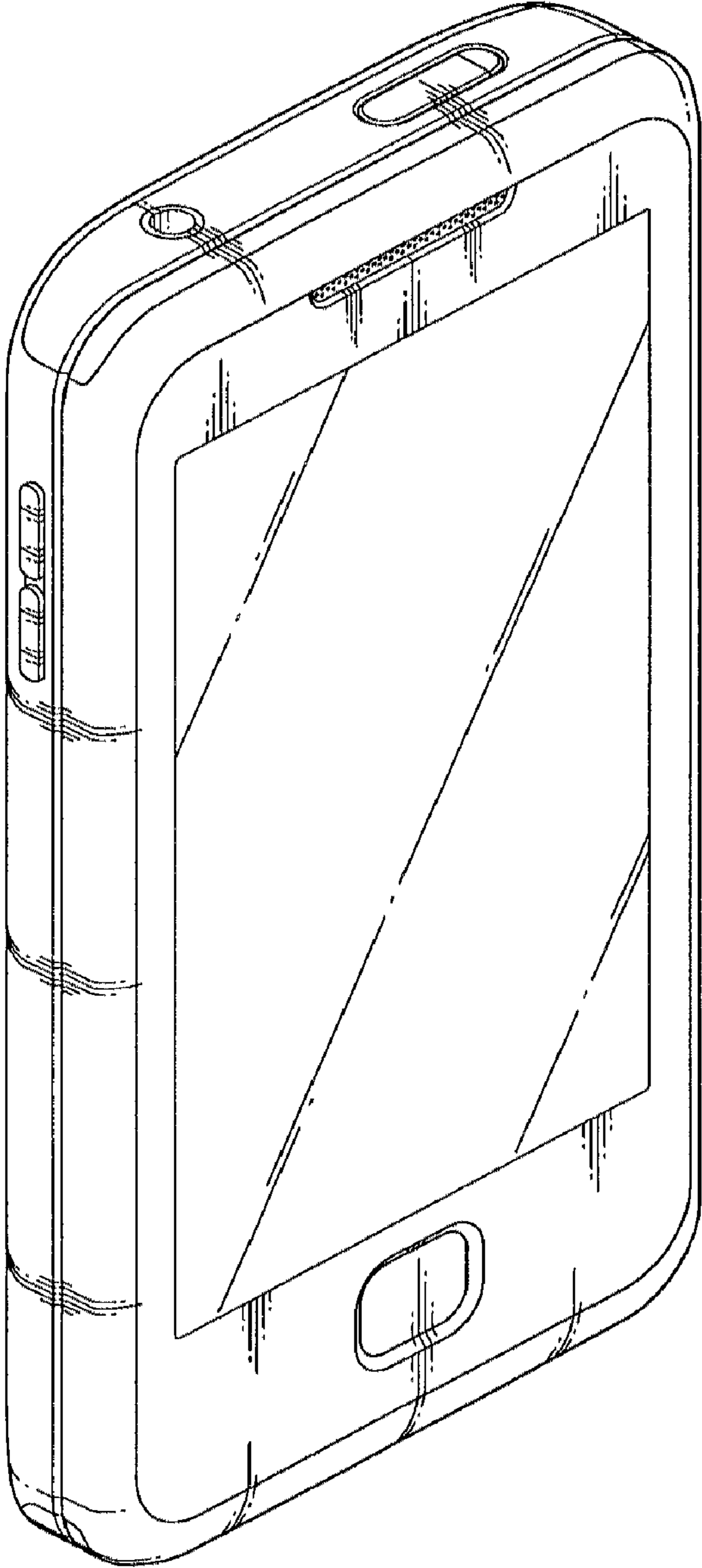
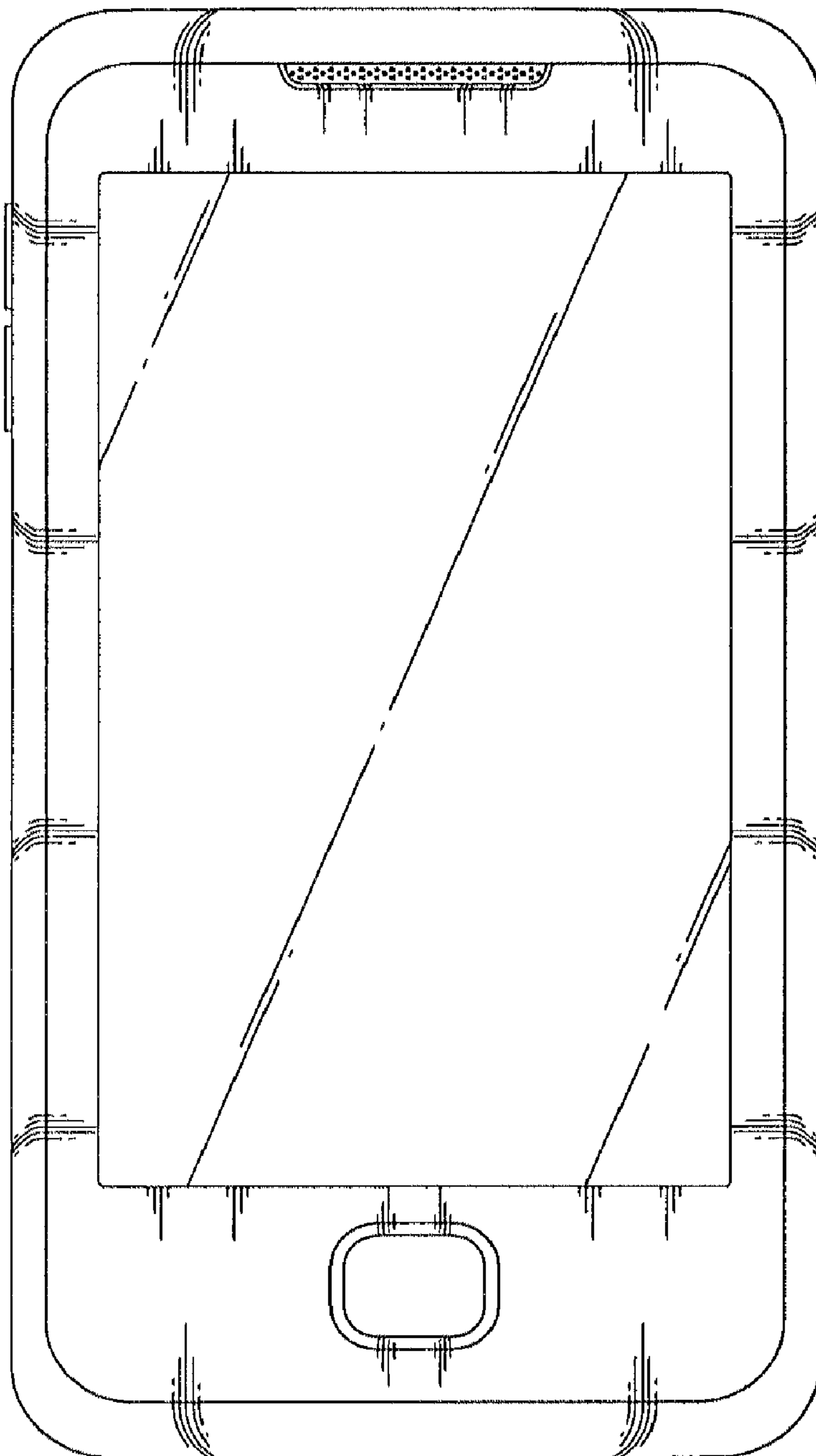
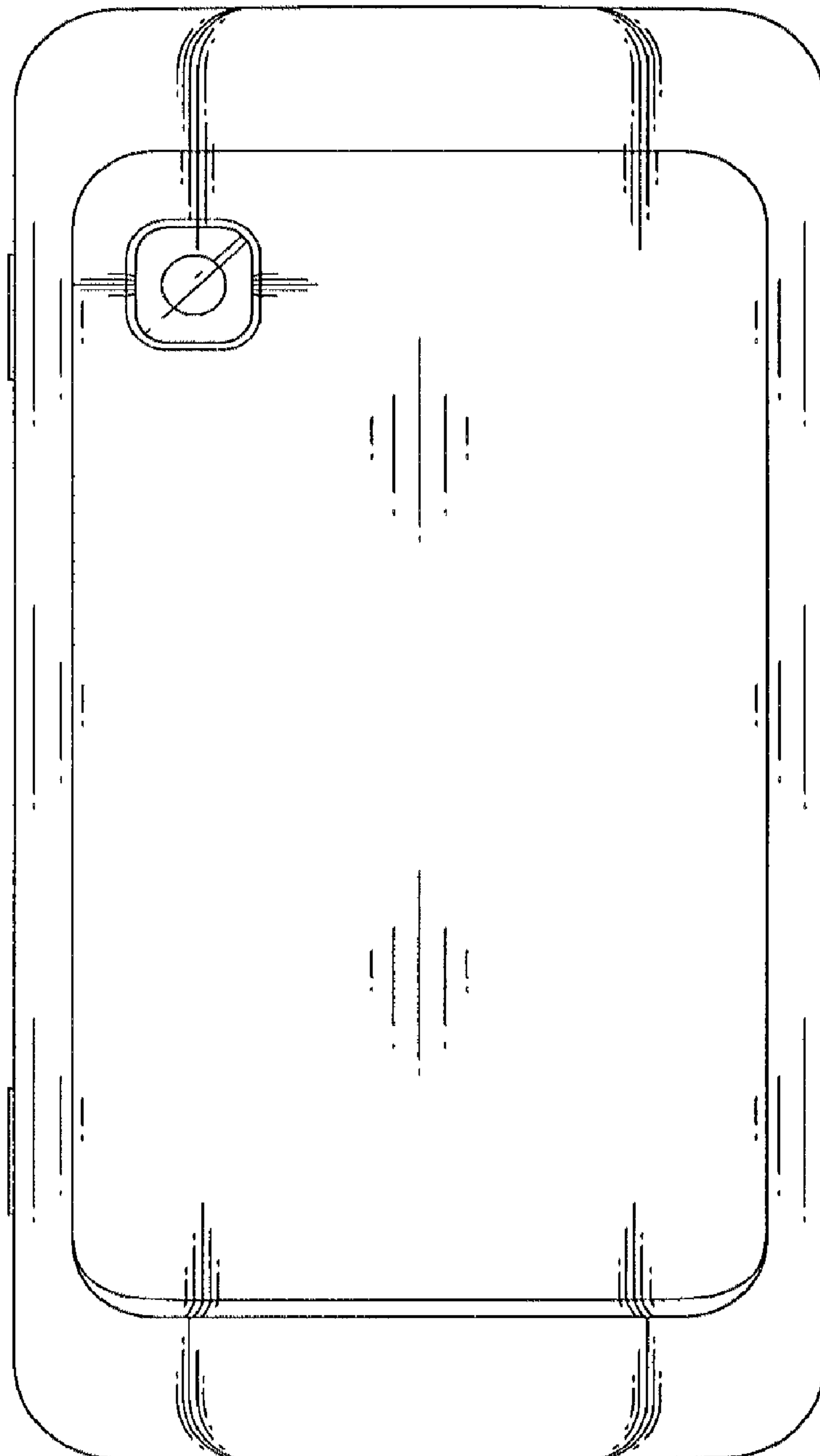


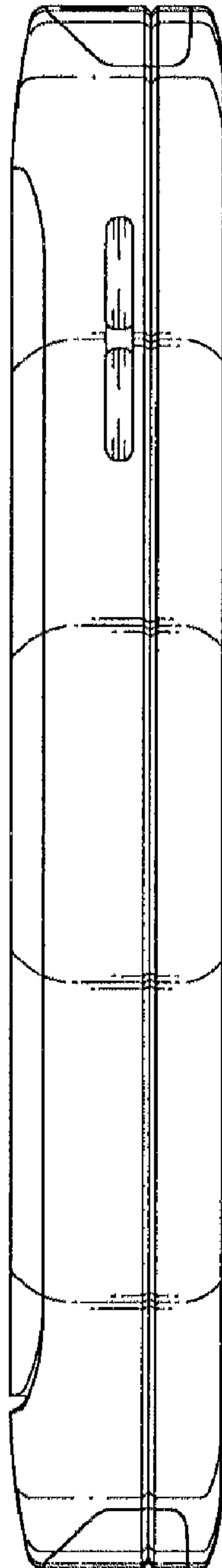
FIG. 2



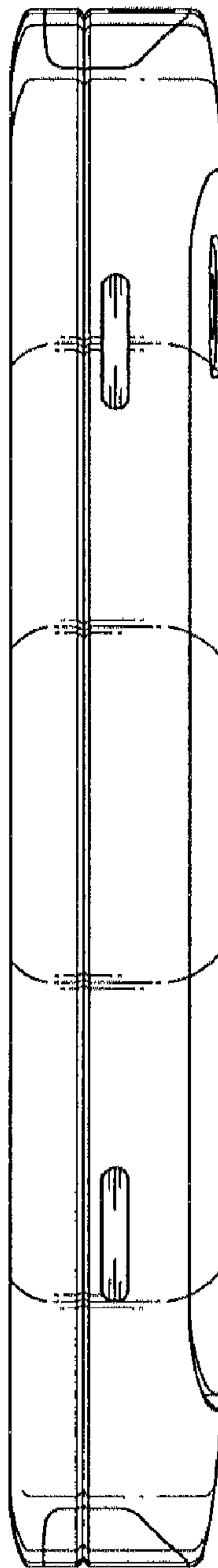
# FIG. 3



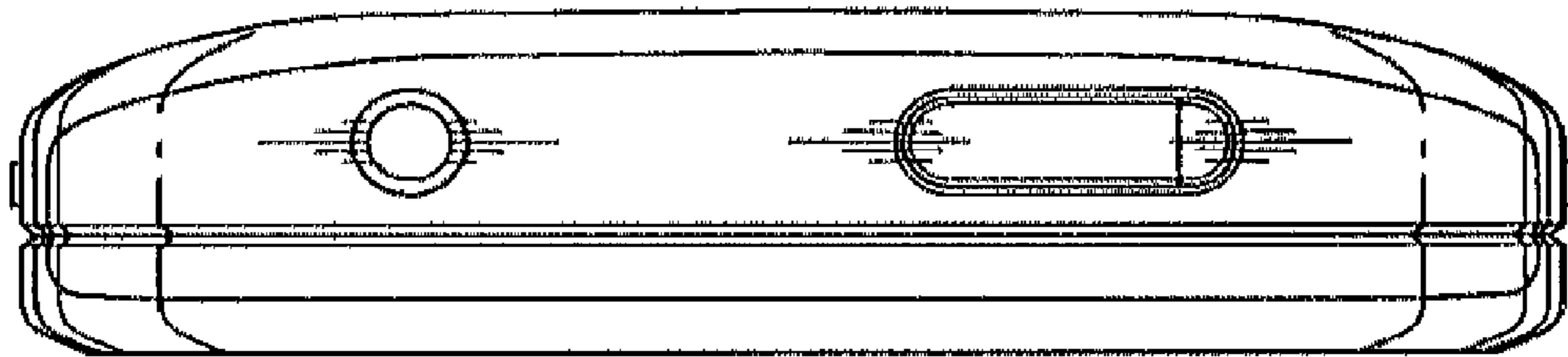
# FIG. 4



# FIG. 5



# FIG. 6





# FIG. 7

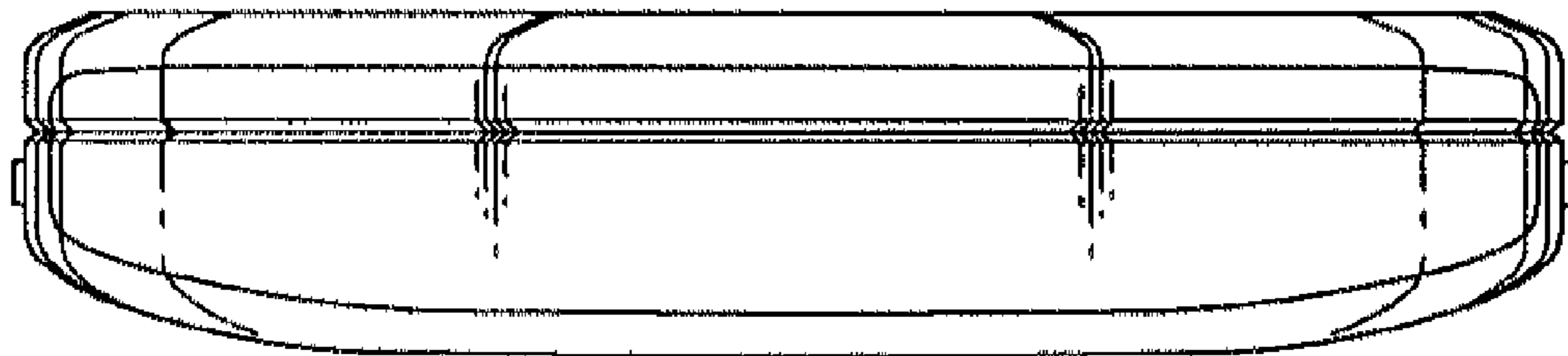


FIG. 8

