



US00D658614S

(12) **United States Design Patent**  
**Inoue**

(10) **Patent No.:** **US D658,614 S**

(45) **Date of Patent:** **\*\* May 1, 2012**

(54) **TELEVISION APPARATUS**

(75) Inventor: **Takashi Inoue**, Nara (JP)

(73) Assignee: **Panasonic Corporation**, Osaka (JP)

(\*\*) Term: **14 Years**

(21) Appl. No.: **29/394,984**

(22) Filed: **Jun. 23, 2011**

(51) **LOC (9) Cl.** ..... **14-03**

(52) **U.S. Cl.** ..... **D14/126**

(58) **Field of Classification Search** ..... D14/125-134,  
D14/239, 371, 136, 374-377, 440, 450, 448,  
D14/336, 342; 312/7.2; 348/836, 838, 180,  
348/184, 325, 739; 341/12; 248/917-924,  
248/465; 345/104, 133, 156, 168, 87, 173;  
720/605, 669, 600, 655; 369/99, 197; 455/344,  
455/347; D21/329, 515, 577, 622, 333, 433,  
D21/448, 452, 450, 331; D6/477, 479, 300;  
273/148 B; 446/484, 175, 356; D10/15,  
D10/26

See application file for complete search history.

(56) **References Cited**

U.S. PATENT DOCUMENTS

D584,706 S \* 1/2009 Yoshimura et al. .... D14/126  
D601,525 S \* 10/2009 Kibushi ..... D14/126  
D628,174 S \* 11/2010 Nagase ..... D14/126  
D648,297 S \* 11/2011 Woo et al. .... D14/126

FOREIGN PATENT DOCUMENTS

EM D001656596-0002 1/2010  
EM D001656596-0003 1/2010  
EM D001810714-0002 1/2011

\* cited by examiner

*Primary Examiner* — Raphael Barkai

(74) *Attorney, Agent, or Firm* — Brinks Hofer Gilson & Lione

(57) **CLAIM**

I claim the ornamental design for a television apparatus, as shown and described.

**DESCRIPTION**

FIG. 1 is a front perspective view of a television apparatus of the present invention;  
FIG. 2 is a front view thereof;  
FIG. 3 is a rear view thereof;  
FIG. 4 is a first side view thereof;  
FIG. 5 is a second side view thereof;  
FIG. 6 is a top view thereof; and,  
FIG. 7 is a bottom view thereof.

**1 Claim, 5 Drawing Sheets**

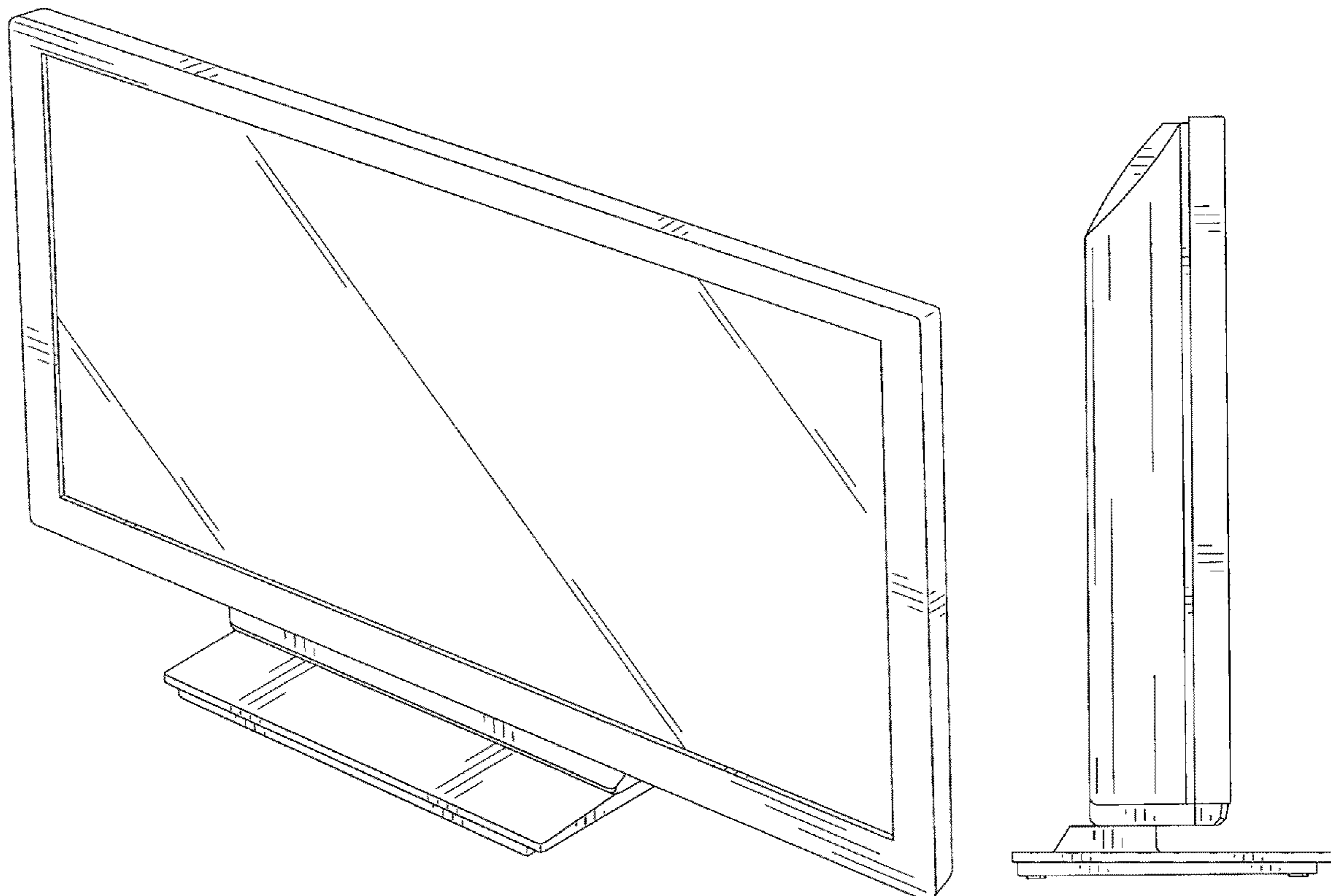


FIG. 1

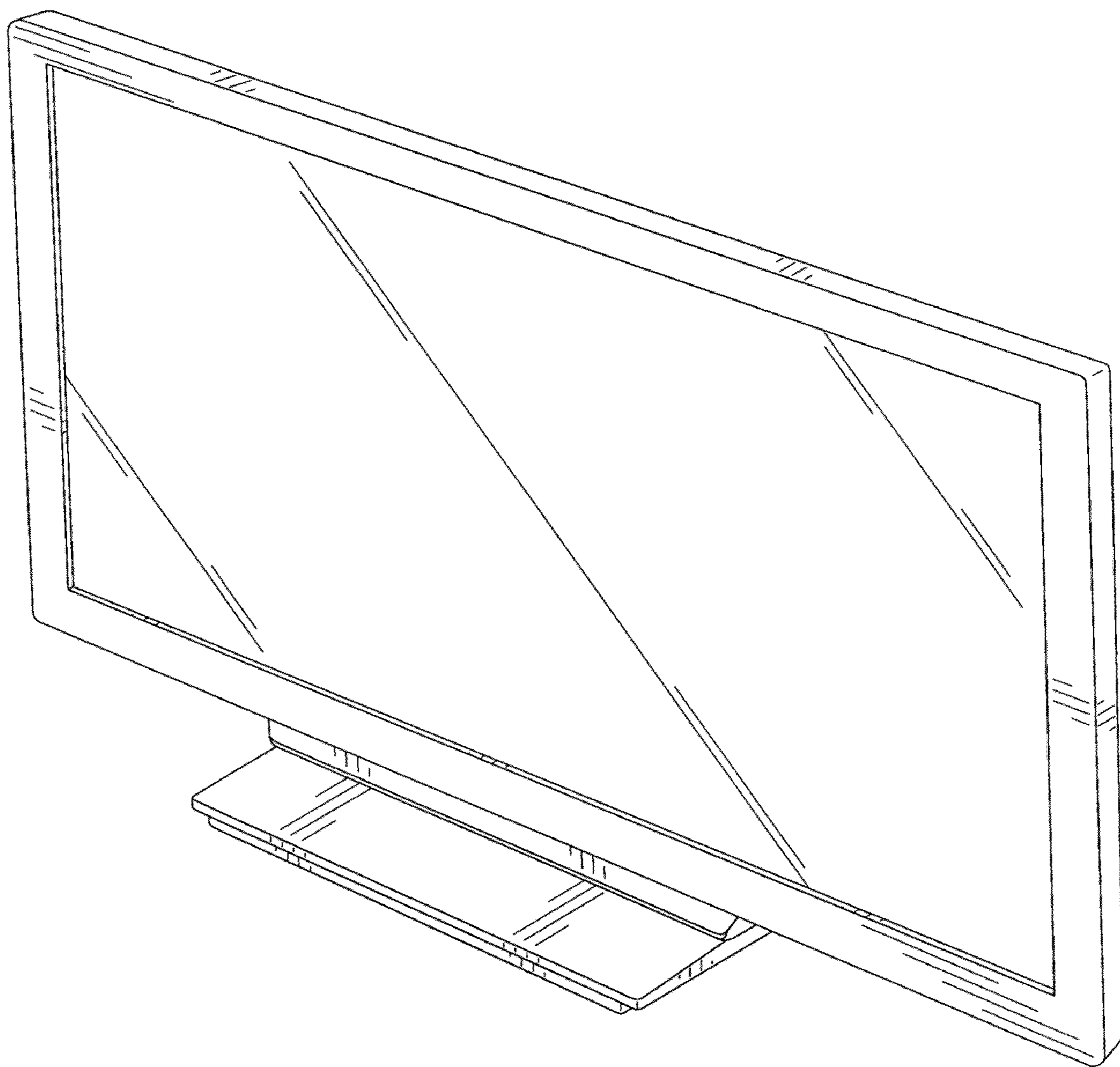


FIG.2

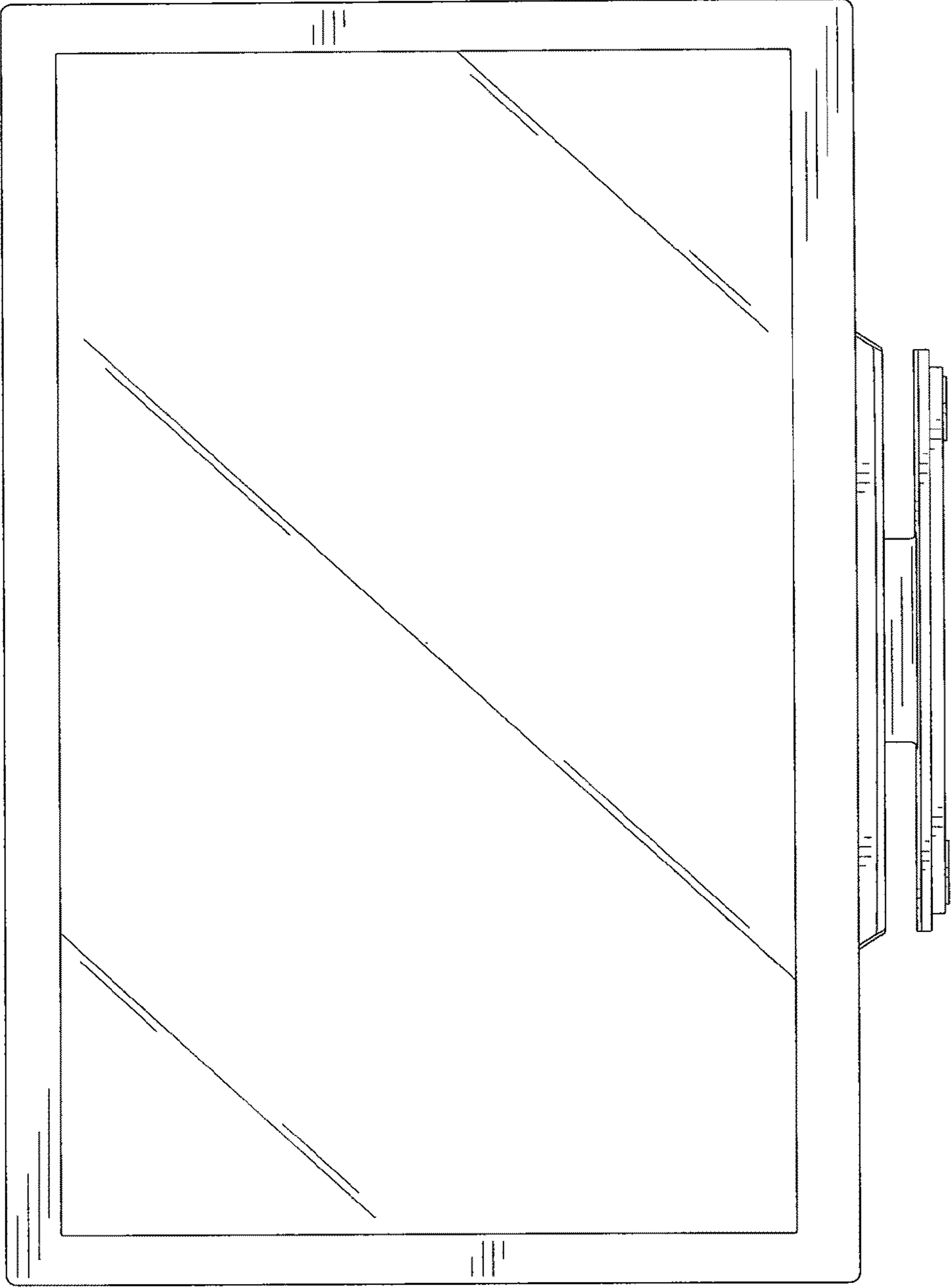


FIG.3

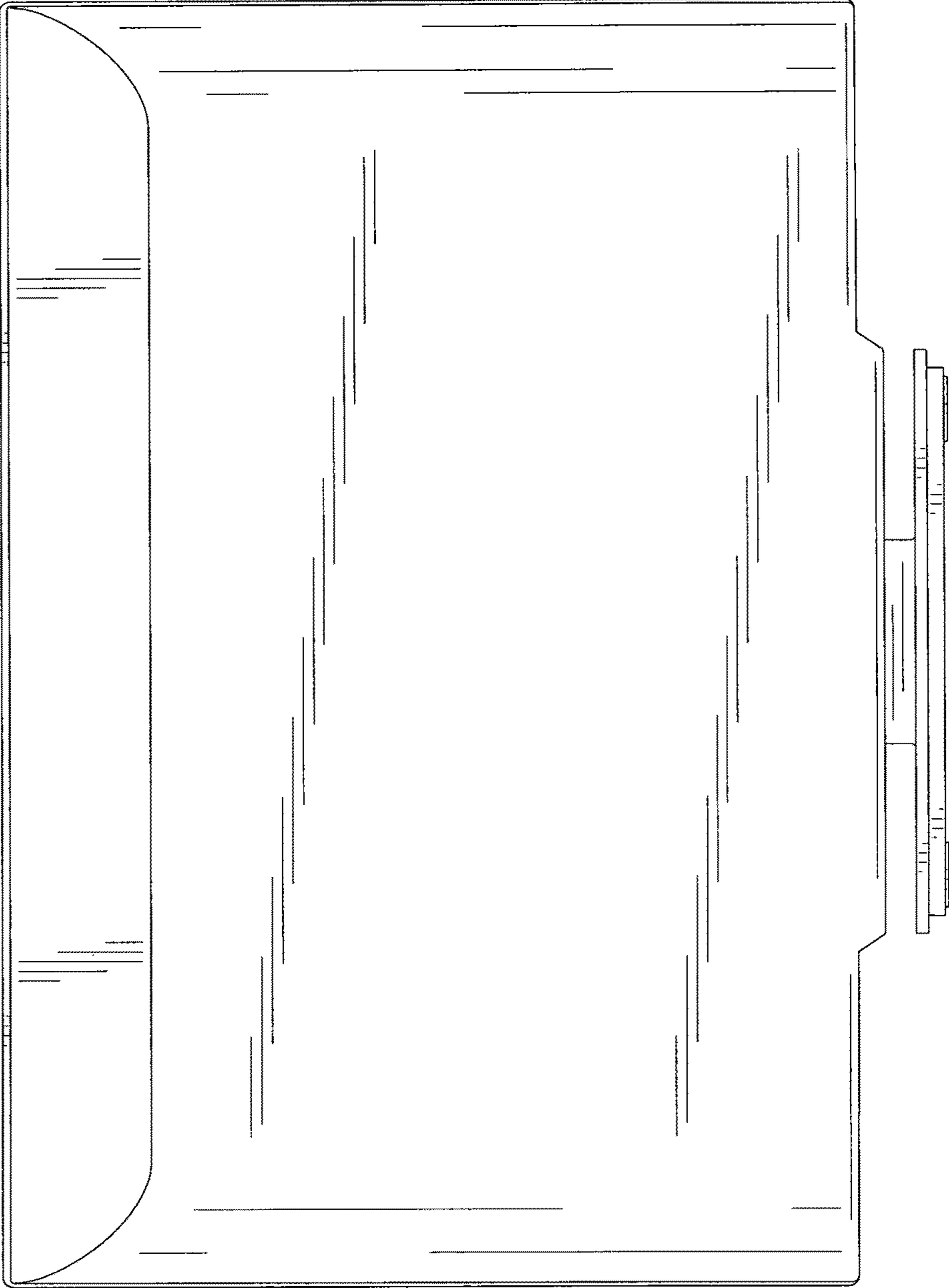


FIG.4

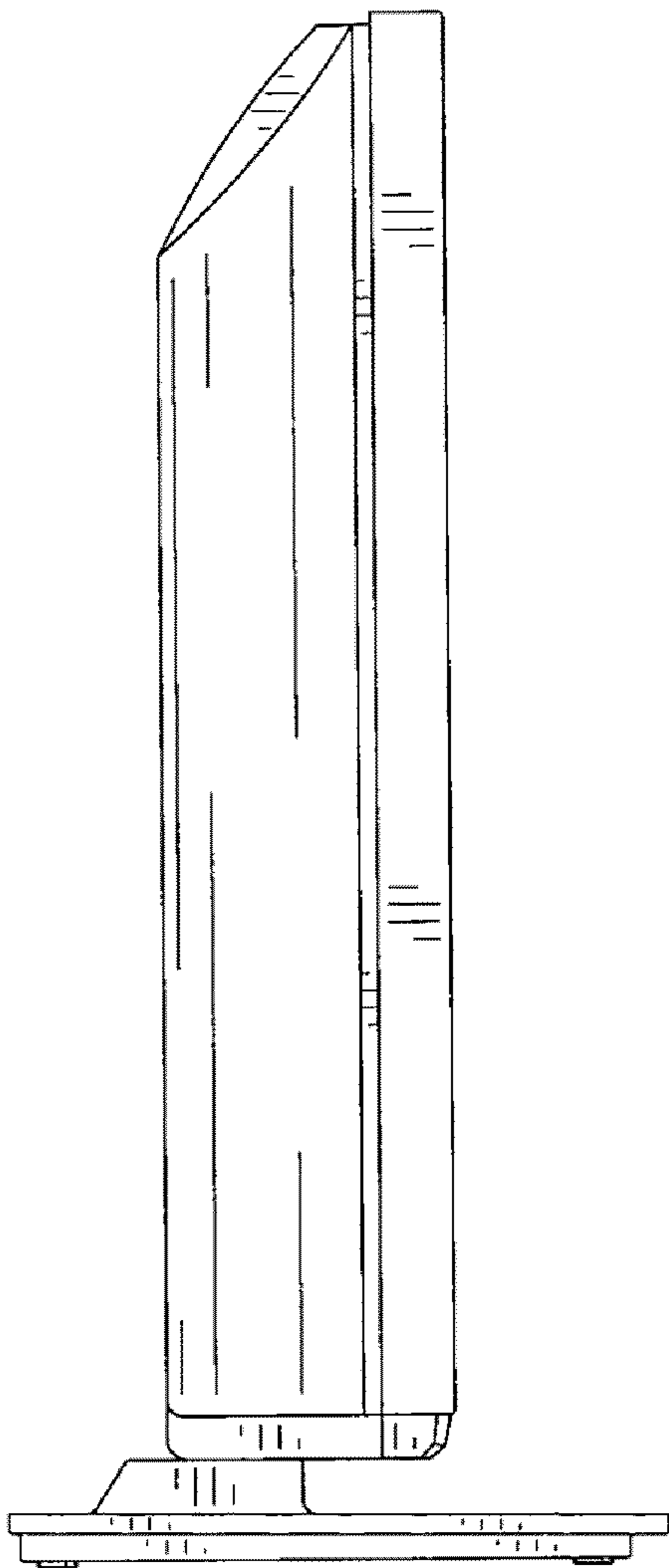


FIG.5

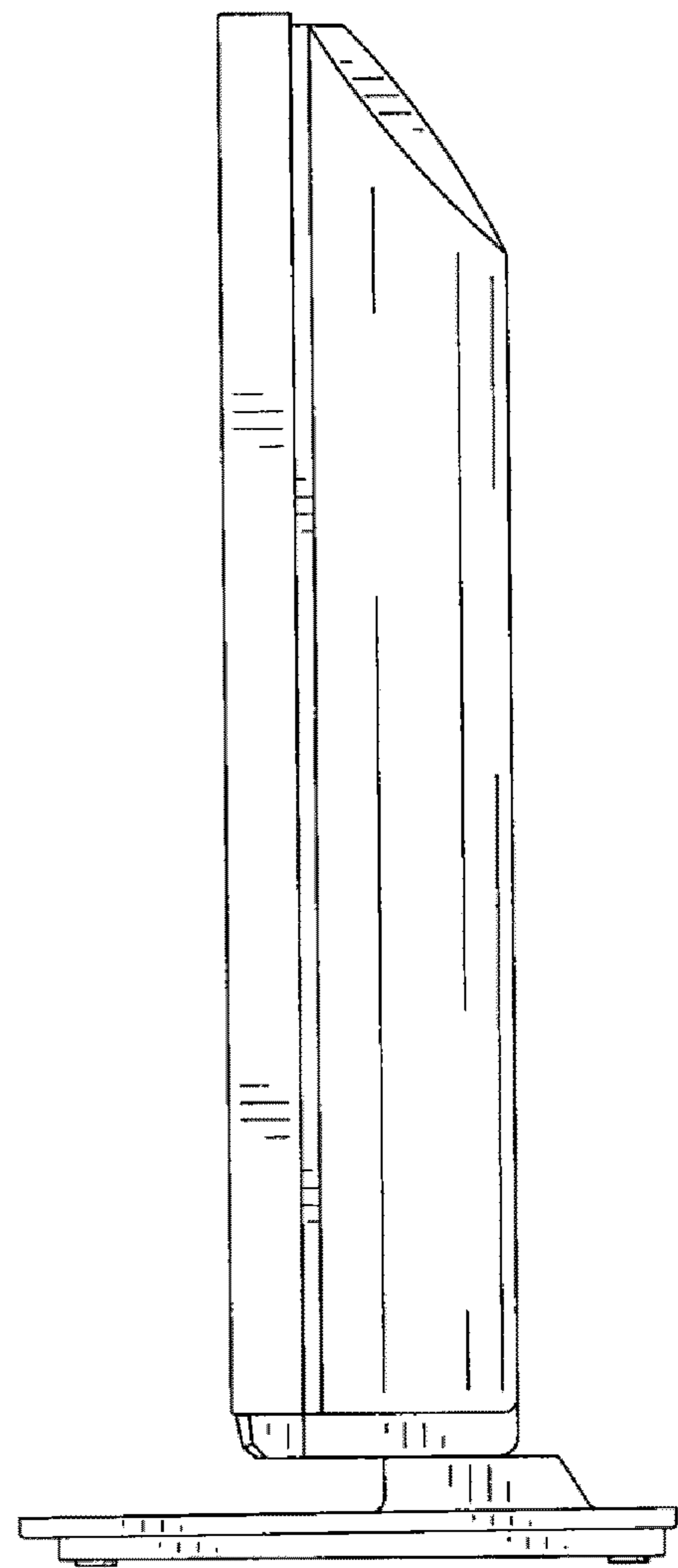




FIG.6

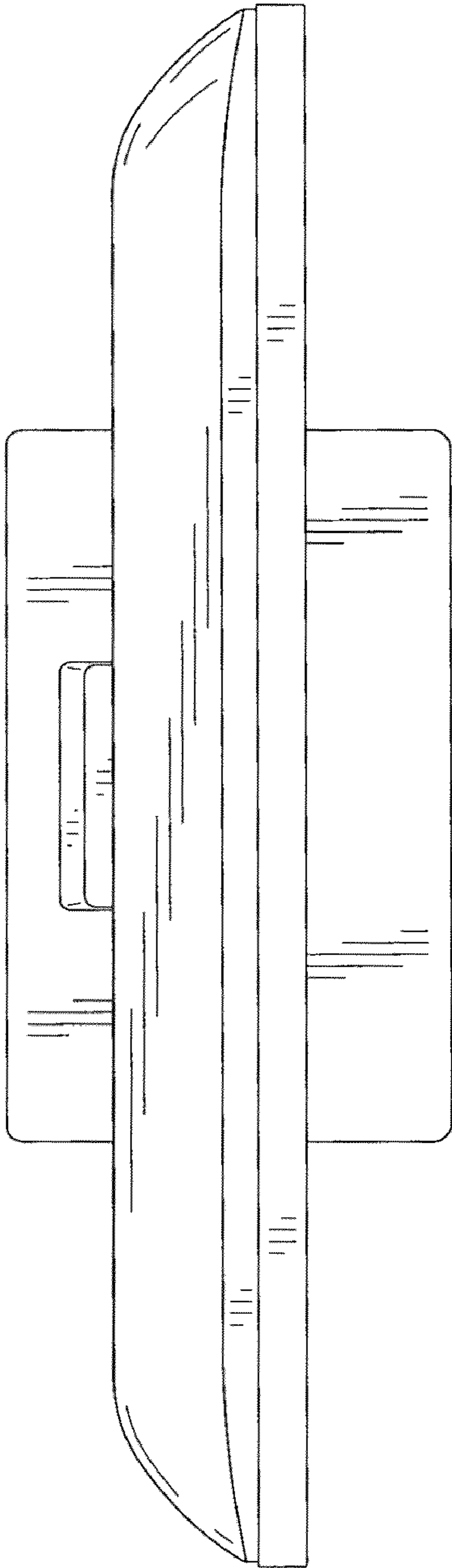


FIG.7

