



US00D658612S

(12) **United States Design Patent**  
**Won et al.**

(10) **Patent No.:** **US D658,612 S**

(45) **Date of Patent:** **\*\* May 1, 2012**

(54) **TELEVISION SET**

(75) Inventors: **Dong-Hee Won**, Seoul (KR); **Jun-Ho Yang**, Seongnam-si (KR)

(73) Assignee: **Samsung Electronics Co., Ltd.**, Suwon-Si (KR)

(\*\*) Term: **14 Years**

(21) Appl. No.: **29/354,445**

(22) Filed: **Jan. 25, 2010**

(30) **Foreign Application Priority Data**

Sep. 30, 2009 (KR) ..... 30-2009-0043242

(51) **LOC (9) Cl.** ..... **14-03**

(52) **U.S. Cl.** ..... **D14/126**

(58) **Field of Classification Search** ..... D14/125-134, D14/239, 371, 136, 374-377, 440, 450, 448, D14/336, 342; 312/7.2; 348/836, 838, 180, 348/184, 325, 739; 341/12; 248/917-924, 248/465; 345/104, 133, 156, 168, 87, 173; 720/605, 669, 600, 655; 369/99, 197; 455/344, 455/347; D21/329, 515, 577, 622, 333, 433, D21/448, 452, 450, 331; D6/477, 479, 300; 273/148 B; 446/484, 175, 356; D10/15, D10/26

See application file for complete search history.

(56) **References Cited**

U.S. PATENT DOCUMENTS

D603,816	S	*	11/2009	Kim et al.	.....	D14/126
D614,596	S	*	4/2010	Won et al.	.....	D14/126
D615,510	S	*	5/2010	Won et al.	.....	D14/126
D616,841	S	*	6/2010	Kim et al.	.....	D14/126
D621,374	S	*	8/2010	Kim et al.	.....	D14/126
D631,860	S	*	2/2011	Chai et al.	.....	D14/126

FOREIGN PATENT DOCUMENTS

EM 001165567-0001 9/2009

OTHER PUBLICATIONS

Korean Office Action issued Dec. 15, 2010 in corresponding Korean Design Patent Application 30-2009-0043242.

\* cited by examiner

*Primary Examiner* — Raphael Barkai

(74) *Attorney, Agent, or Firm* — Staas & Halsey LLP

(57) **CLAIM**

The ornamental design for a television set, as shown and described.

**DESCRIPTION**

FIG. 1 is a front perspective view of a television set; FIG. 2 is a front view of the television set of FIG. 1; FIG. 3 is a rear view of the television set of FIG. 1; FIG. 4 is a left-side view of the television set of FIG. 1; FIG. 5 is a right-side view of the television set of FIG. 1; FIG. 6 is a top plan view of the television set of FIG. 1; and, FIG. 7 is a bottom plan view of the television set of FIG. 1.

**1 Claim, 7 Drawing Sheets**

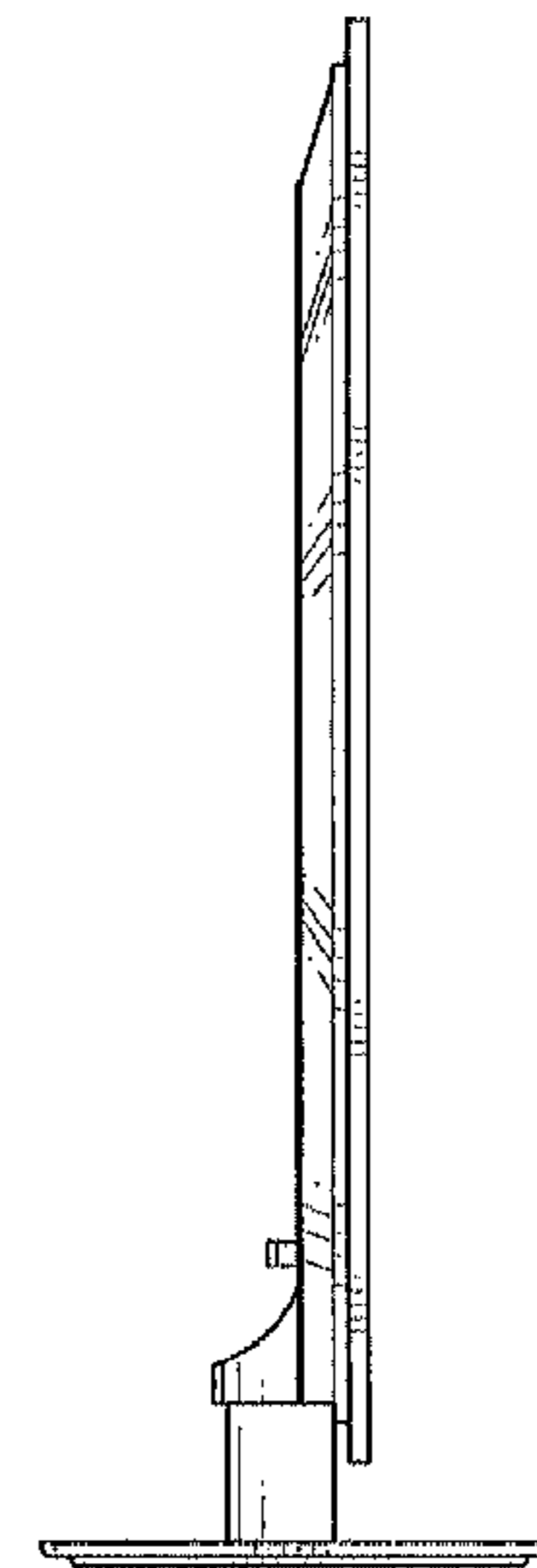
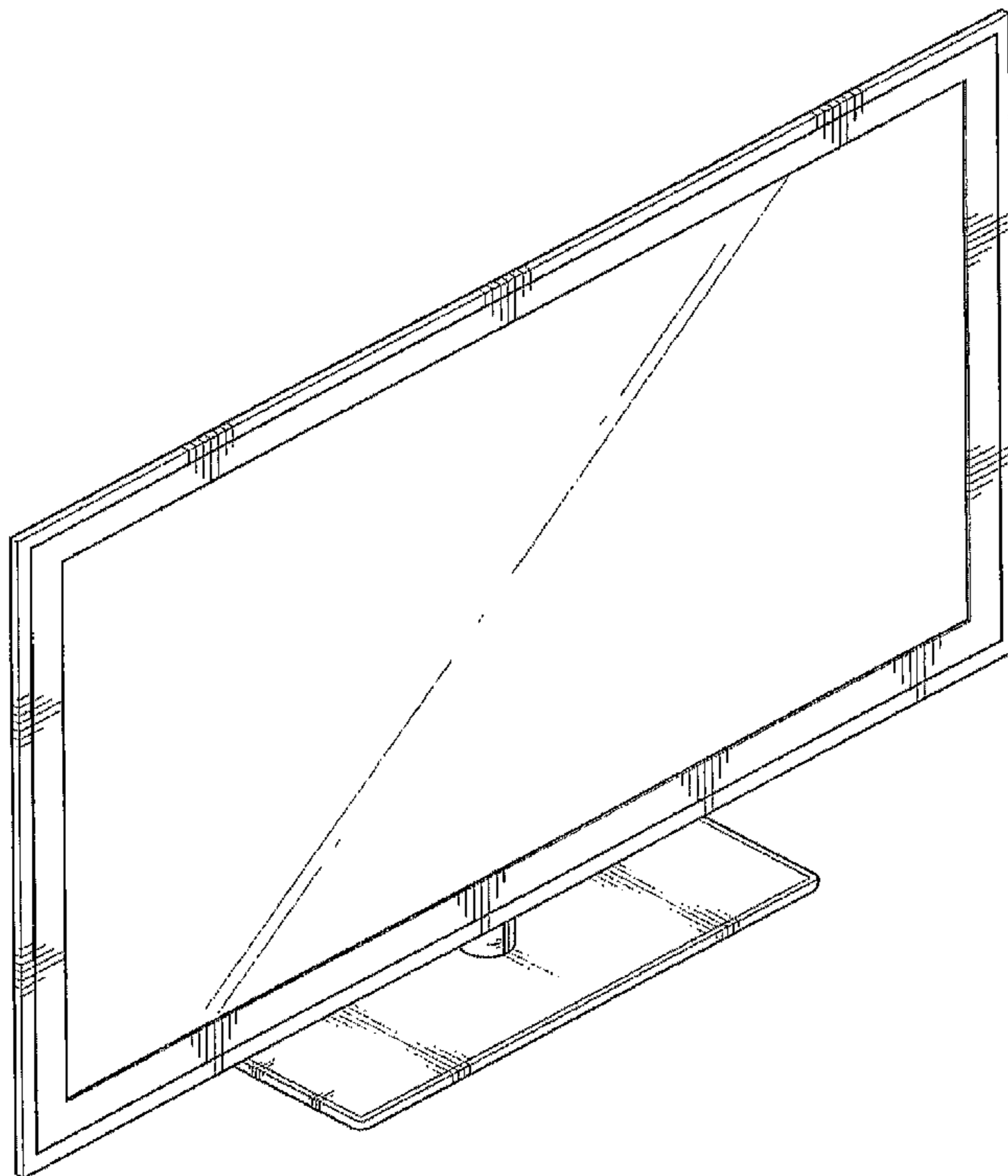


FIG. 1

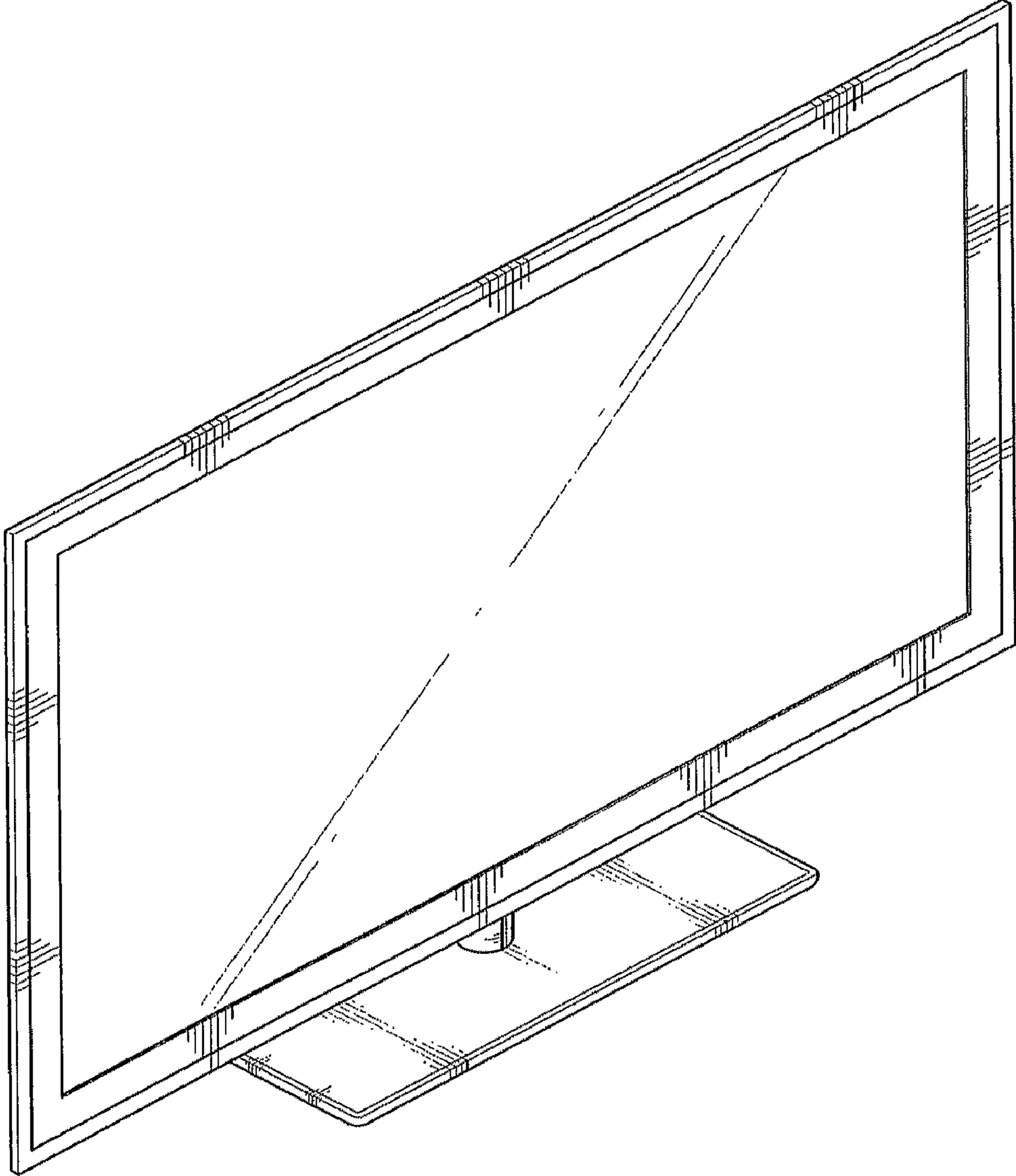


FIG.2

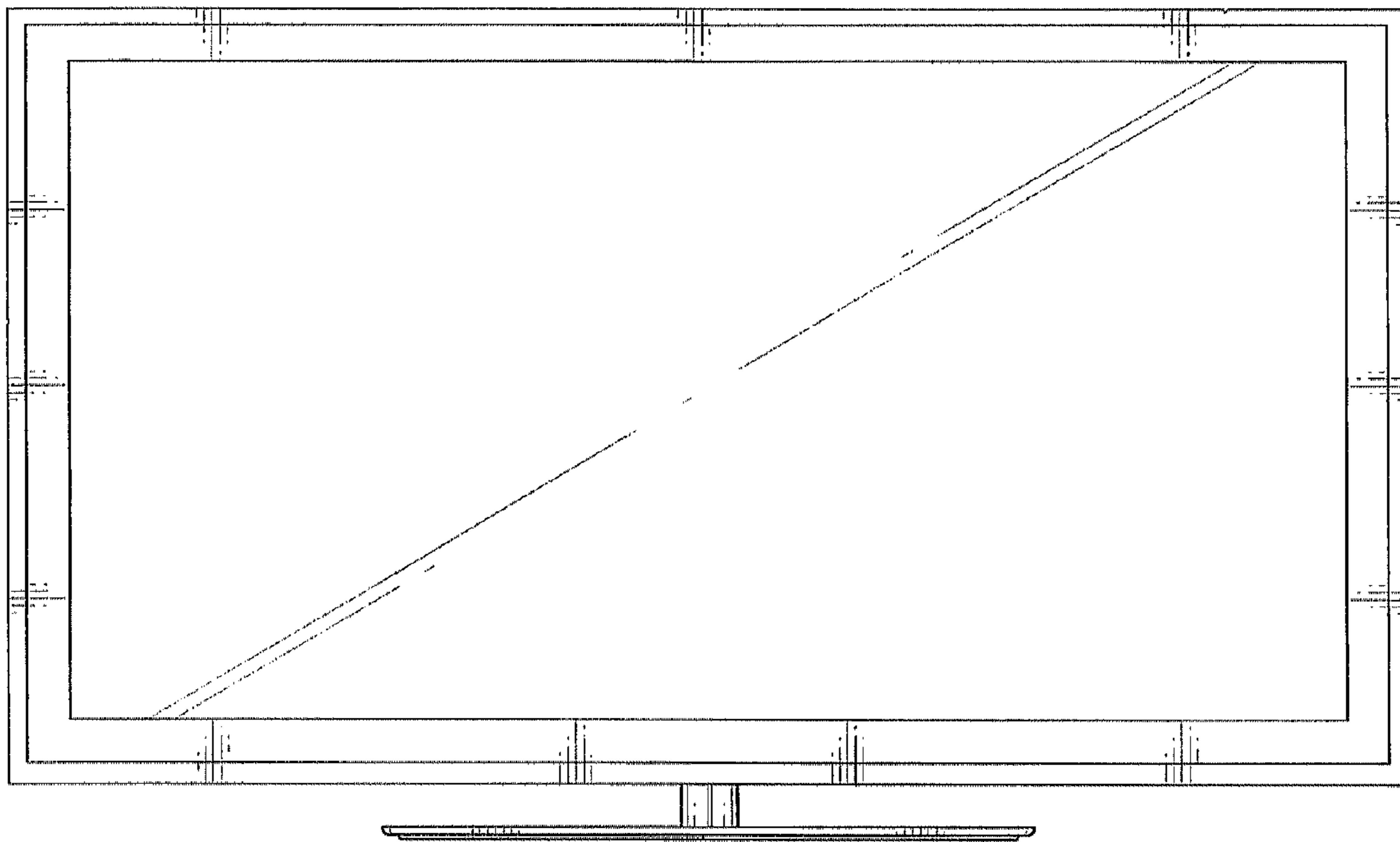
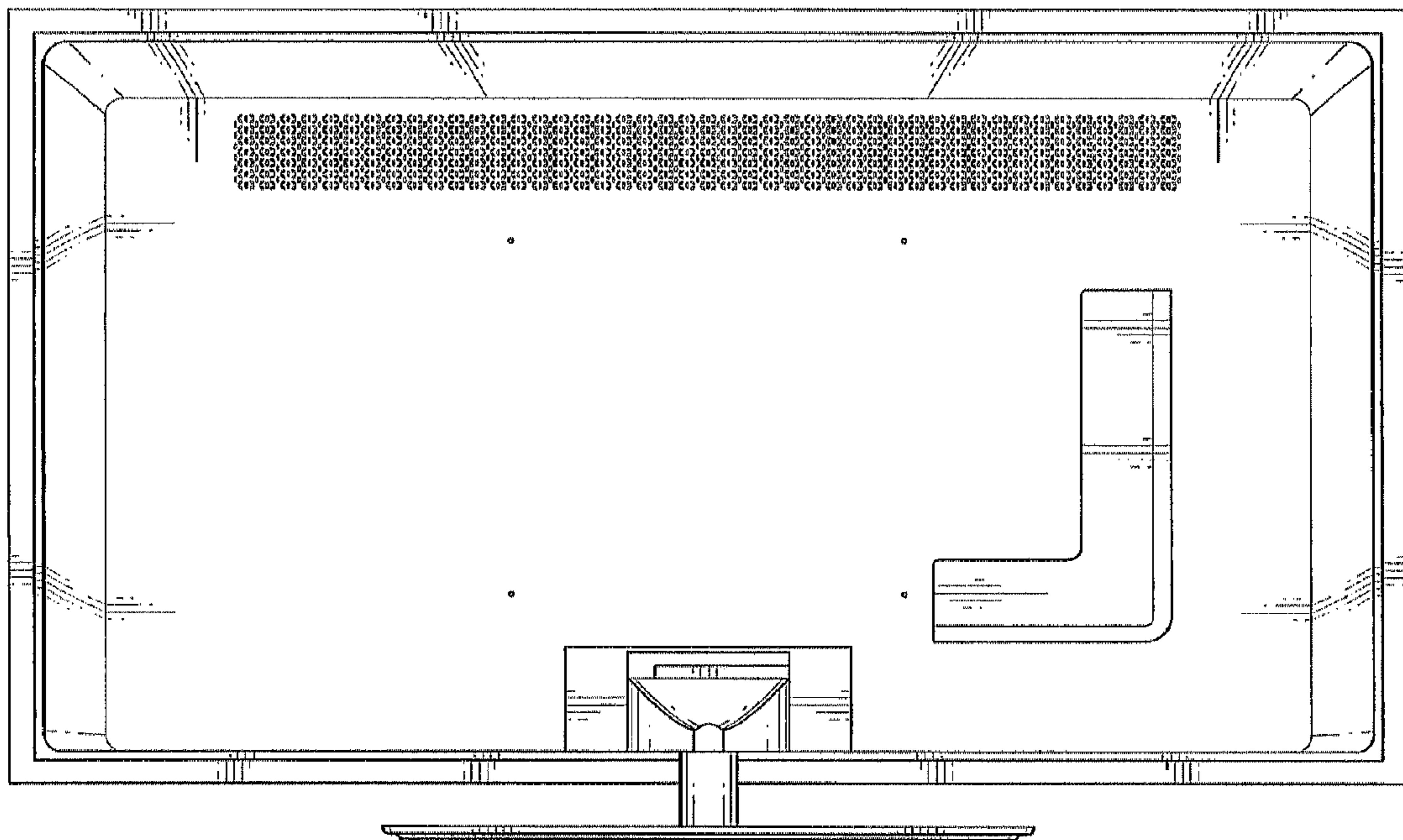
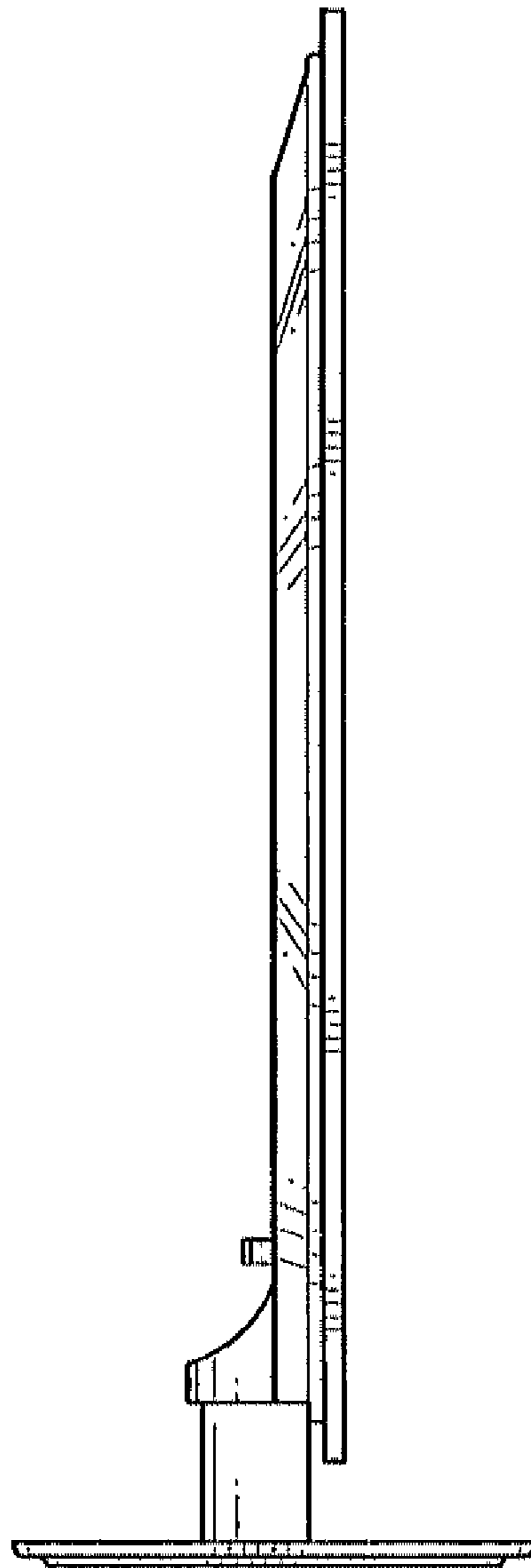


FIG. 3



# FIG. 4



# FIG. 5

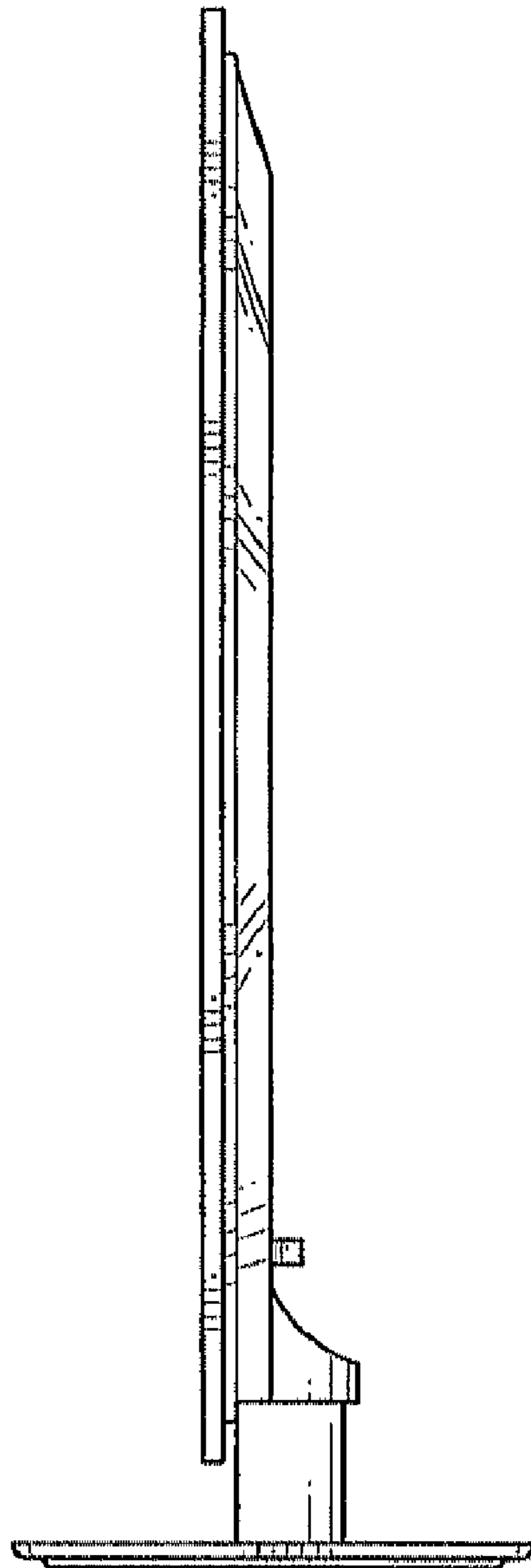


FIG. 6

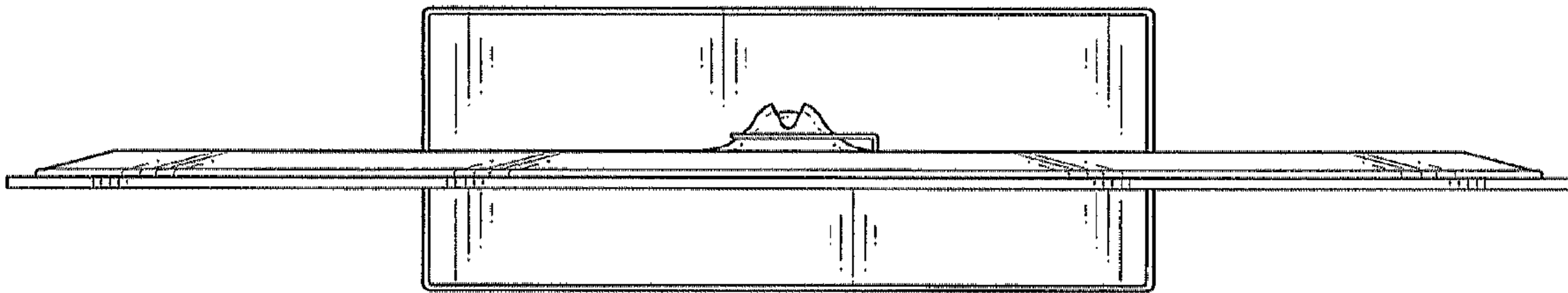


FIG. 7

