



US00D658611S

(12) **United States Design Patent**
Bang et al.

(10) **Patent No.:** **US D658,611 S**

(45) **Date of Patent:** **** May 1, 2012**

(54) **SET TOP BOX**

(75) Inventors: **Sung-II Bang**, Seoul (KR);
Kyung-Hoon Kim, Kyunggi-do (KR);
Yeon-Moo Chung, Seoul (KR)

(73) Assignee: **Samsung Electronics Co., Ltd.**, Suwon,
Kyunggi-Do (KR)

(**) Term: **14 Years**

(21) Appl. No.: **29/404,706**

(22) Filed: **Oct. 25, 2011**

(30) **Foreign Application Priority Data**

Aug. 19, 2011 (KR) 30-2011-0034478

(51) **LOC (9) Cl.** **14-03**

(52) **U.S. Cl.** **D14/125**

(58) **Field of Classification Search** D14/125,
D14/357-358, 496, 188, 242, 432; D13/184;
348/10, 460, 706, 731; 340/825.03; 455/6.1,
455/6.2; 312/223.1, 7.2

See application file for complete search history.

(56) **References Cited**

U.S. PATENT DOCUMENTS

D304,823 S *	11/1989	Pfeifer et al.	D14/353
D414,770 S *	10/1999	Wetherell et al.	D14/198
6,628,512 B2 *	9/2003	Searby et al.	361/679.58
D529,879 S	10/2006	Park et al.		
D533,157 S	12/2006	Park		
D533,851 S *	12/2006	Yoon	D14/126
D541,811 S	5/2007	Park		
D544,455 S	6/2007	Park et al.		
D545,774 S	7/2007	Woo et al.		
D551,183 S	9/2007	Park et al.		
D560,176 S	1/2008	Woo		
D560,177 S	1/2008	Chun et al.		
D560,689 S	1/2008	Cho		
D567,193 S	4/2008	Kang et al.		
D571,754 S	6/2008	Cho et al.		
D574,793 S	8/2008	Kim et al.		
D584,254 S	1/2009	Jeon et al.		

D584,701 S	1/2009	Kim et al.
D585,395 S	1/2009	Cho et al.
D587,223 S	2/2009	Chun
D587,224 S	2/2009	Chun et al.
D588,559 S	3/2009	Kim et al.
D592,619 S	5/2009	Woo et al.
D592,620 S	5/2009	Kim et al.
D593,971 S	6/2009	Kim et al.
D593,972 S	6/2009	Cho et al.
D593,973 S	6/2009	Cho et al.
D596,149 S	7/2009	Cho et al.
D599,753 S	9/2009	Cho et al.
D602,887 S	10/2009	Cho et al.

(Continued)

OTHER PUBLICATIONS

U.S. Appl. No. 29/374,116, Applicant: Tae-Hun Kim, filed Jul. 5, 2011 entitled Set Top Box.

(Continued)

Primary Examiner — Raphael Barkai

Assistant Examiner — Randall Gholson

(74) *Attorney, Agent, or Firm* — Flynn, Thiel, Boutell & Tanis, P.C.

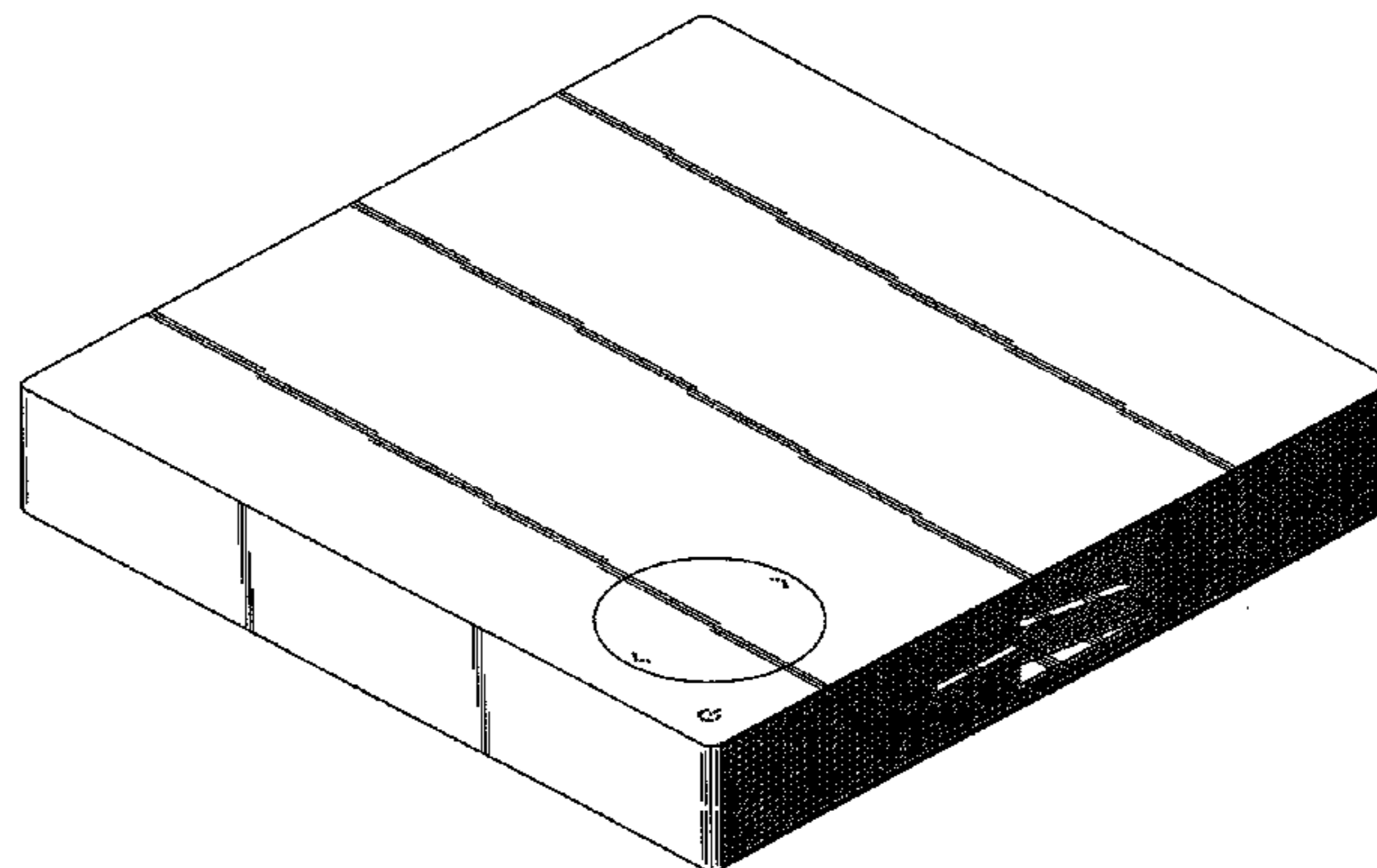
(57) **CLAIM**

The ornamental design for a set top box, as shown and described.

DESCRIPTION

FIG. 1 is a top front perspective view of a set top box showing our new design;
FIG. 2 is a front elevational view thereof;
FIG. 3 is a rear elevational view thereof;
FIG. 4 is a left side elevational view thereof;
FIG. 5 is a right side elevational view thereof;
FIG. 6 is a top plan view thereof; and
FIG. 7 is a bottom plan view thereof.
FIG. 8 is an enlarged detail view of the set top box as shown in FIG. 5; and,
FIG. 9 is a fragmentary and enlarged cross-sectional view as seen generally along line 9-9 in FIG. 8.

1 Claim, 4 Drawing Sheets



US D658,611 S

Page 2

U.S. PATENT DOCUMENTS

D602,888 S 10/2009 Cho et al.
D602,889 S 10/2009 Cho et al.
D602,890 S 10/2009 Cho et al.
D608,310 S 1/2010 Cho et al.
D608,744 S * 1/2010 Kim et al. D14/125
D608,745 S 1/2010 Cho et al.
D609,656 S 2/2010 Cho et al.
D610,102 S 2/2010 Cho et al.
D620,028 S * 7/2010 Kim D14/125
D623,154 S * 9/2010 Tu D14/125
D635,530 S 4/2011 Sung et al.
D635,531 S 4/2011 Cho et al.
D635,532 S 4/2011 Sung et al.
D635,533 S 4/2011 Cho et al.

D635,534 S 4/2011 Cho et al.
D635,535 S 4/2011 Cho et al.
D635,940 S 4/2011 Cho et al.
D636,357 S * 4/2011 Kim et al. D14/125
D639,254 S 6/2011 Giovannoni et al.
D646,240 S * 10/2011 Kim et al. D14/125

OTHER PUBLICATIONS

U.S. Appl. No. 29/374,120, Applicant: Tae-Hun Kim et al., filed Jul. 5, 2011 entitled Set Top Box.
U.S. Appl. No. 29/404,703, Applicant: Sung-Il Bang et al., filed Oct. 25, 2011 entitled Set Top Box.

* cited by examiner

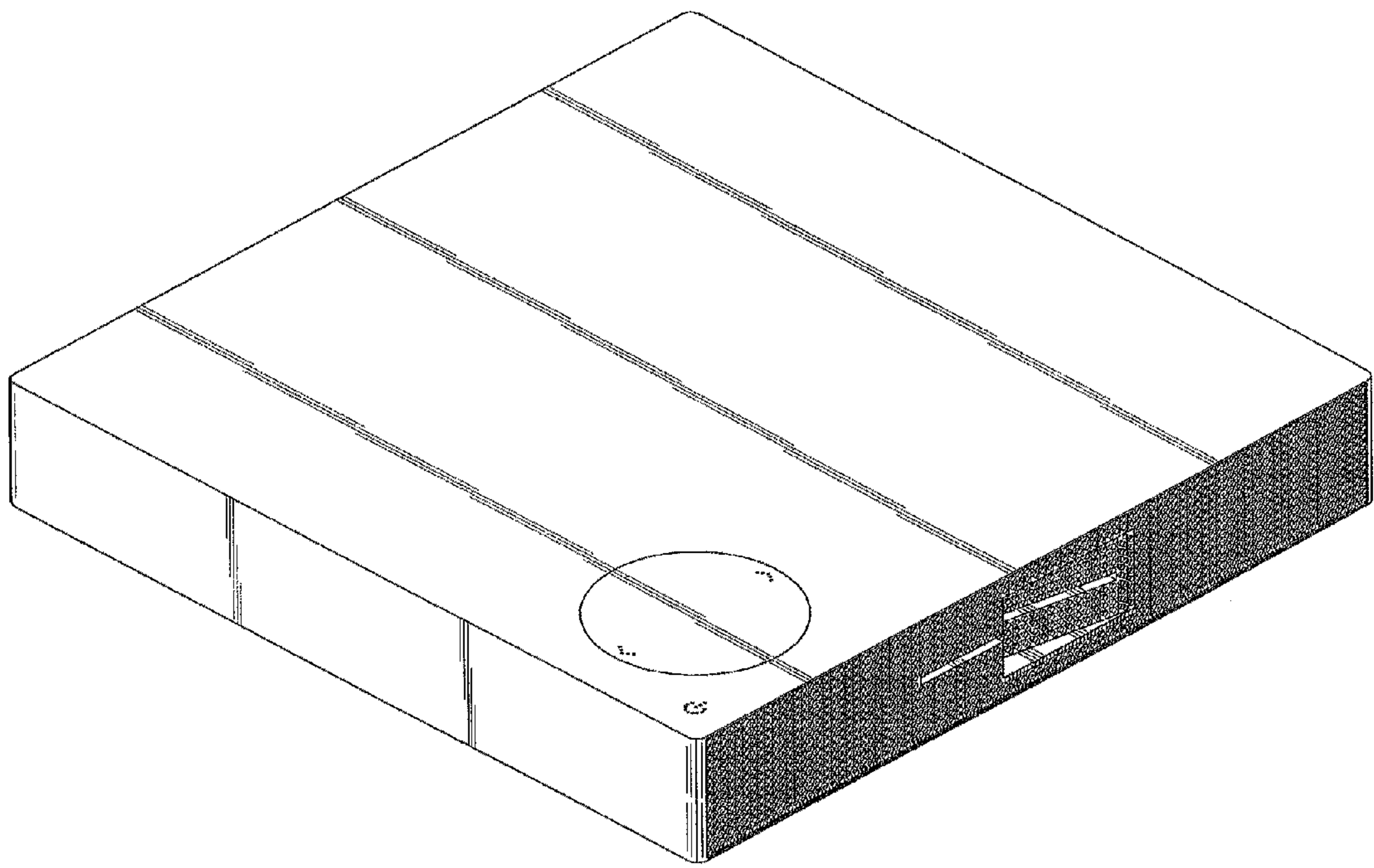


FIG.1

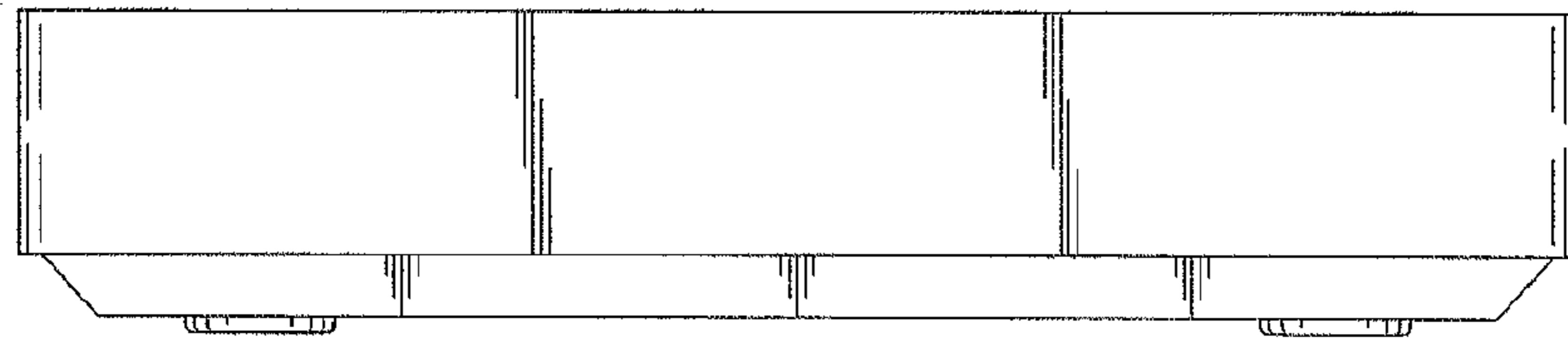


FIG. 2

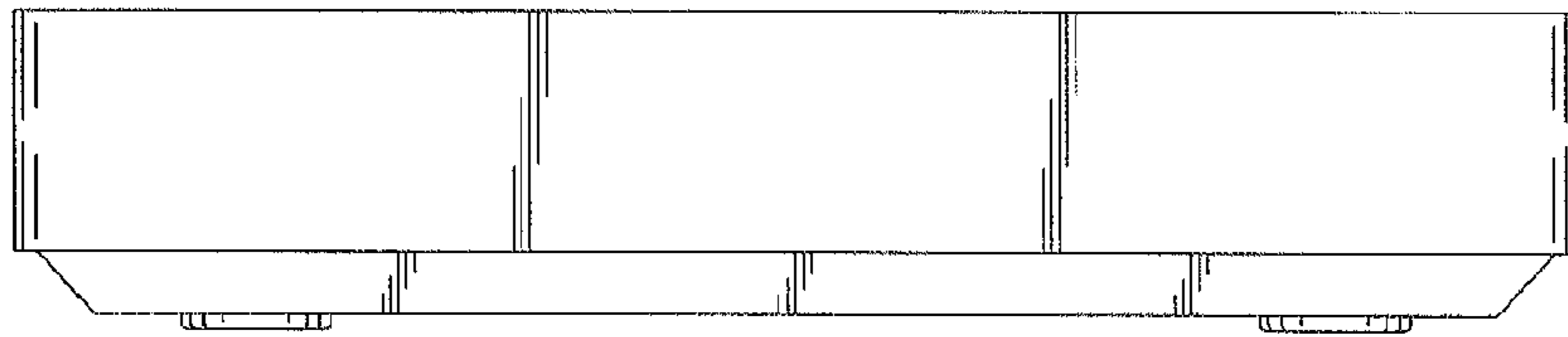


FIG. 3

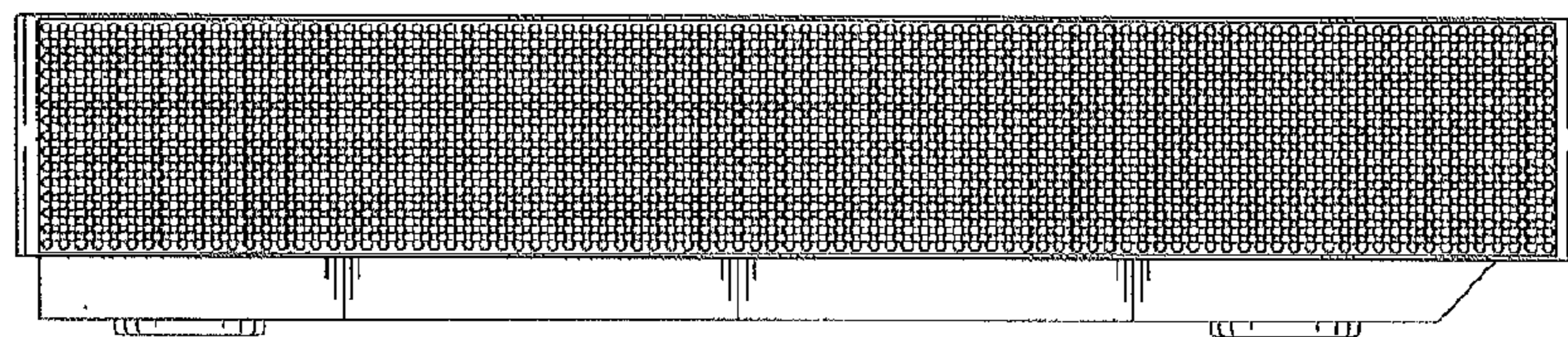


FIG. 4

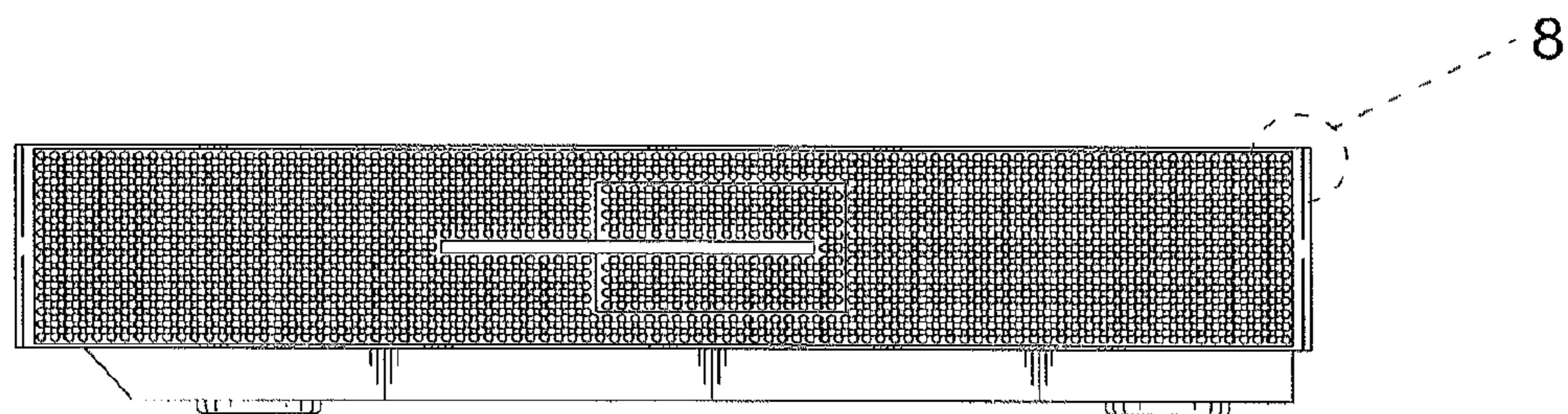


FIG. 5

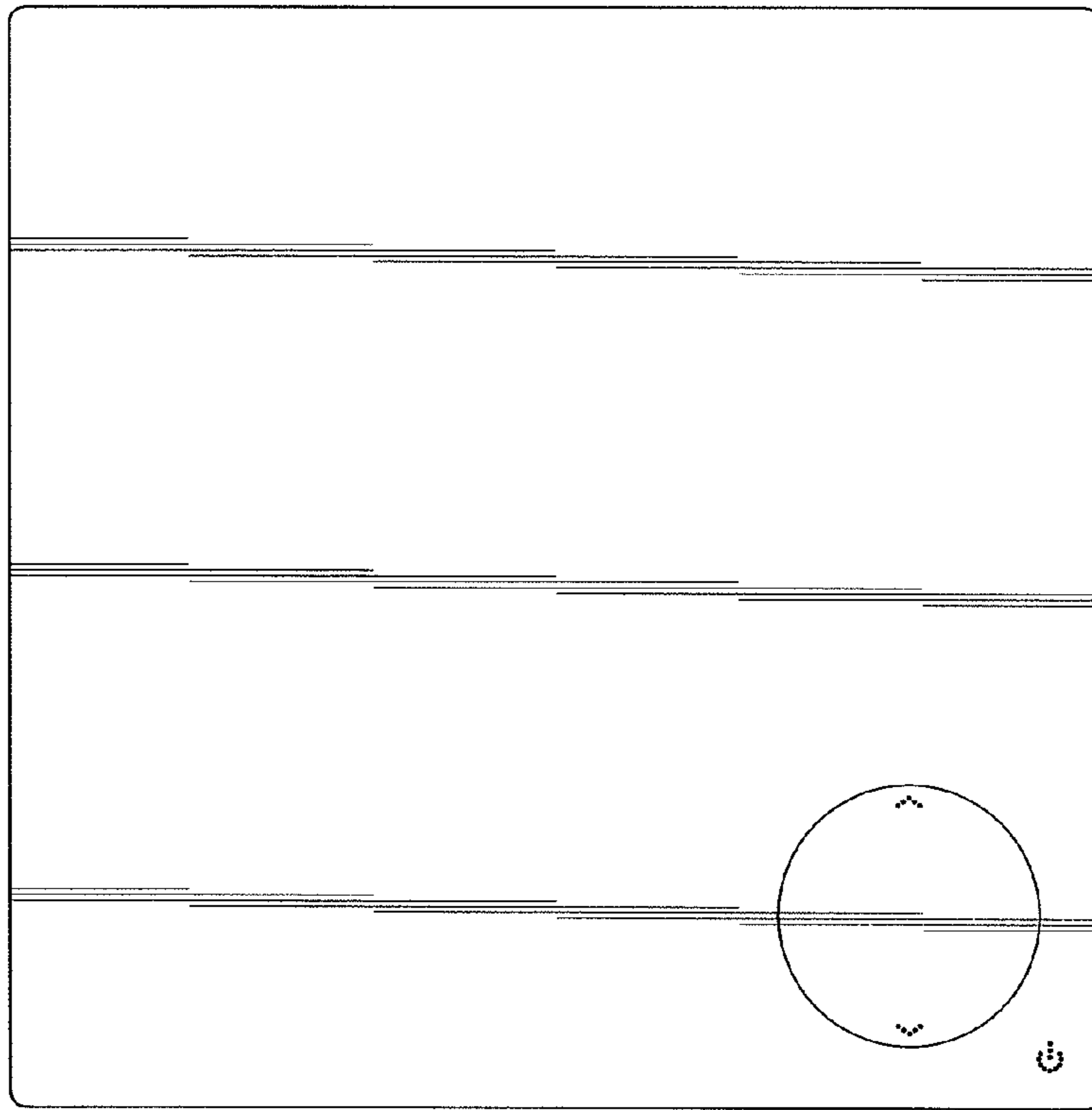


FIG. 6

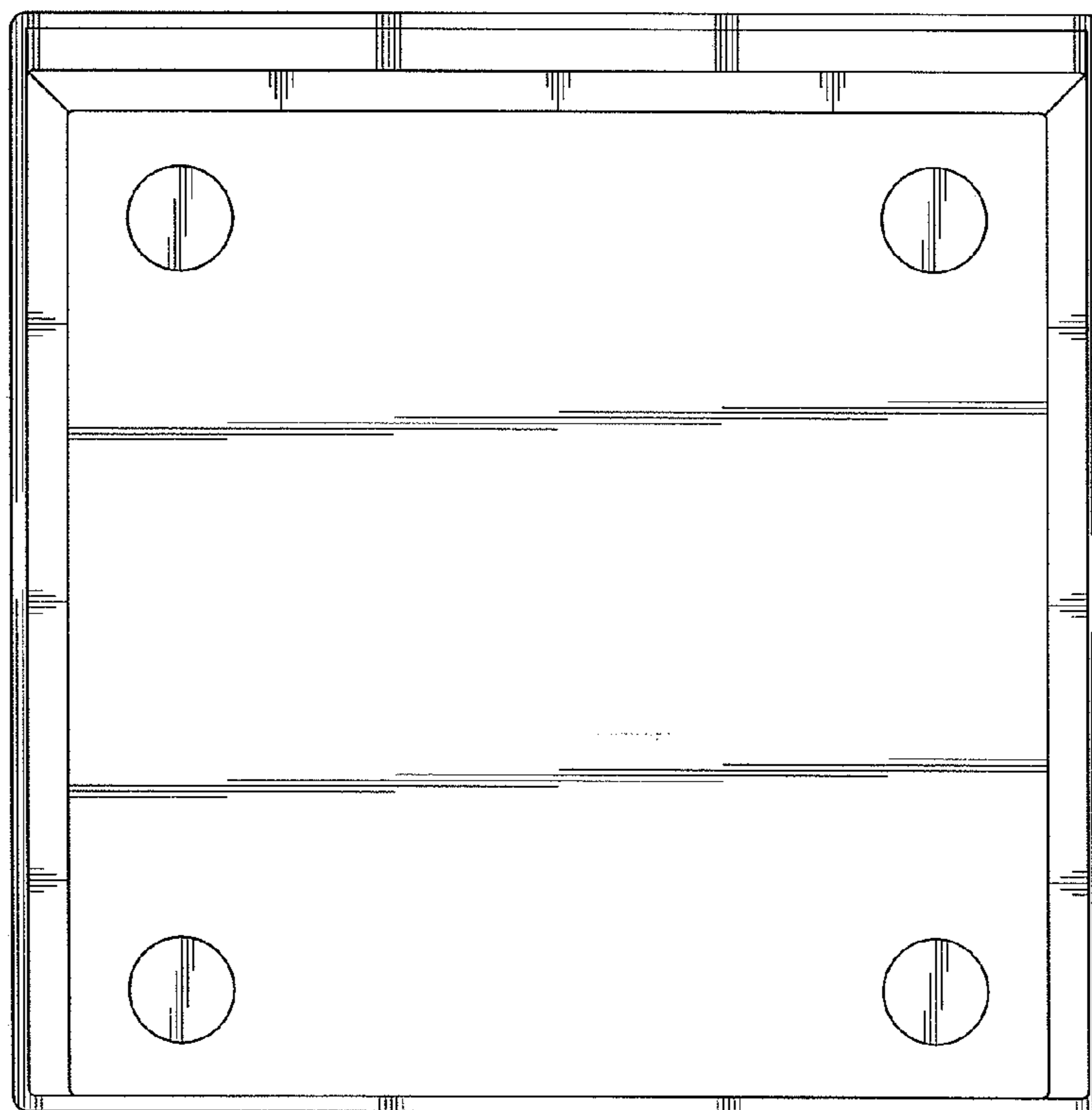


FIG. 7

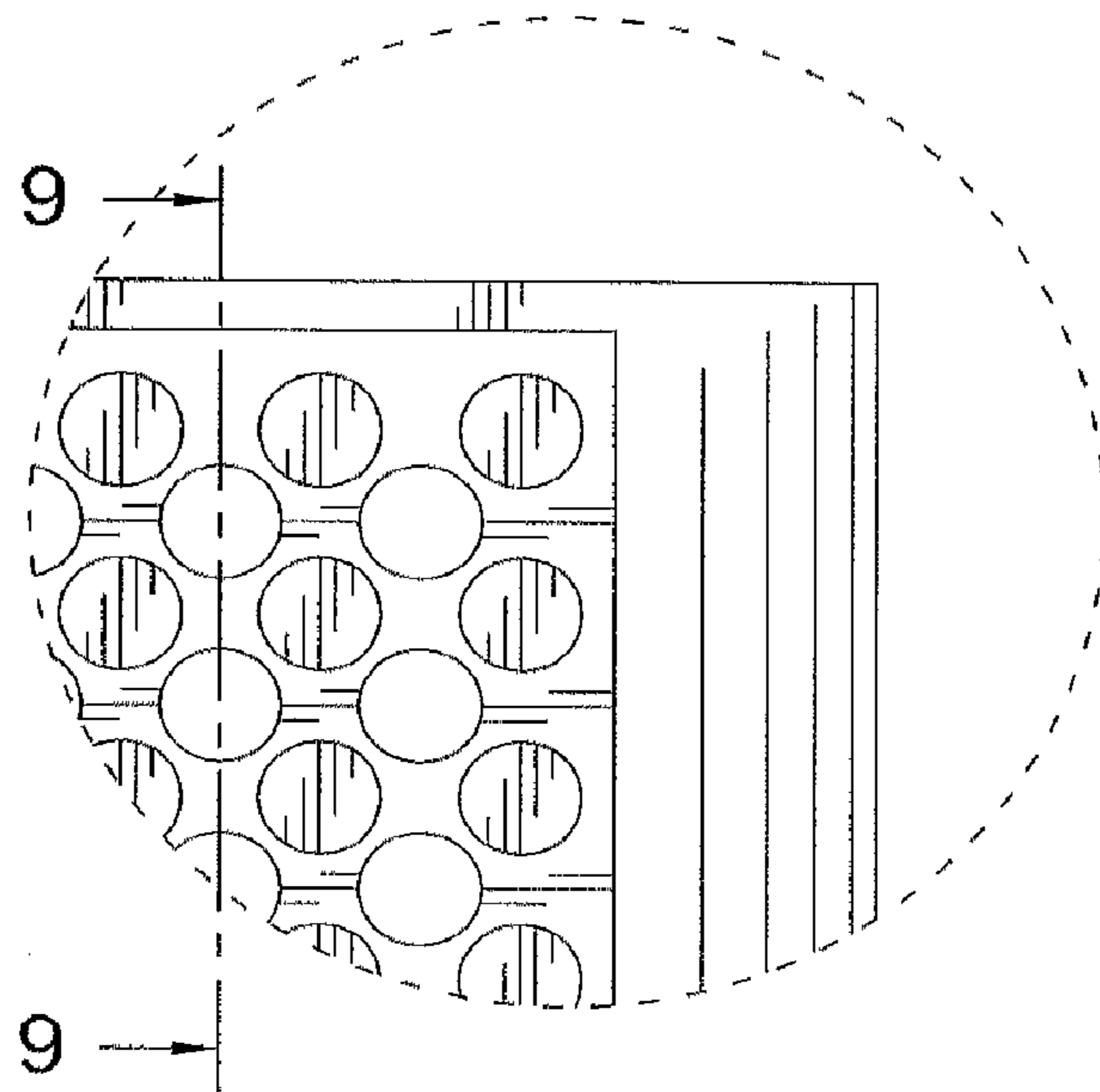


FIG. 8

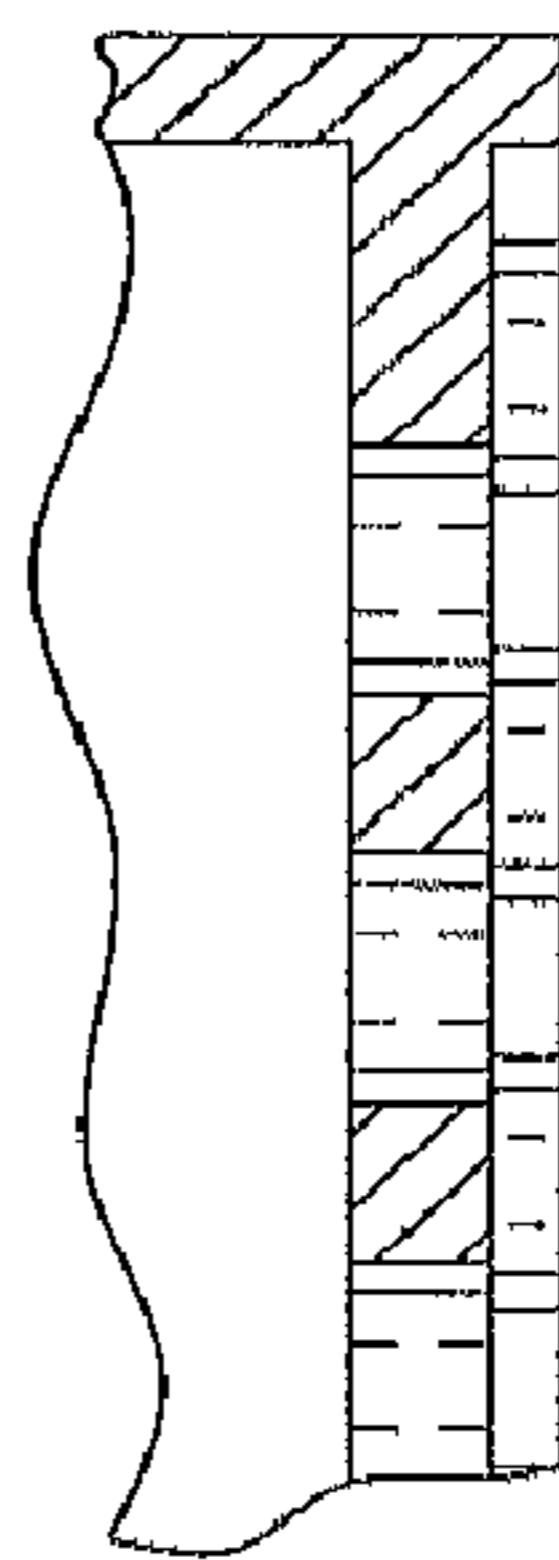


FIG. 9