



US00D658608S

(12) **United States Design Patent**  
**Ashur et al.**

(10) **Patent No.:** **US D658,608 S**

(45) **Date of Patent:** **\*\* May 1, 2012**

(54) **ENCLOSURE FOR ELECTRONIC CIRCUIT WITH DISPLAY**

(75) Inventors: **Jeffrey Ashur**, Newton, MA (US);  
**Charles M. Huck**, Bedminster, NJ (US)

(73) Assignee: **Jeffrey Ashur**, Newton, MA (US)

(\*\*) Term: **14 Years**

(21) Appl. No.: **29/349,323**

(22) Filed: **Mar. 25, 2010**

(51) **LOC (9) Cl.** ..... **13-03**

(52) **U.S. Cl.** ..... **D13/184; D13/133**

(58) **Field of Classification Search** ..... D13/133,  
D13/147, 154, 156, 184, 199; D14/383,  
D14/388; 340/999; 439/95, 135, 146, 149,  
439/180, 246, 278, 374

See application file for complete search history.

(56) **References Cited**

**U.S. PATENT DOCUMENTS**

D392,945 S \* 3/1998 Barry et al. .... D13/168  
D429,483 S \* 8/2000 Sweeney et al. .... D13/133  
D484,137 S \* 12/2003 Wikel et al. .... D14/433

D521,512 S \* 5/2006 Kunzi et al. .... D14/388  
D591,678 S \* 5/2009 Whitley et al. .... D13/133  
D601,150 S \* 9/2009 Romero ..... D14/433  
D624,028 S \* 9/2010 Stamate et al. .... D13/168

\* cited by examiner

*Primary Examiner* — Daniel Bui

(57) **CLAIM**

The ornamental design for an enclosure for an electronic circuit with display, as shown and described.

**DESCRIPTION**

FIG. 1 is a front, top and left side perspective view of an enclosure for electronic circuit with display, showing our new design;

FIG. 2 is a top plan view thereof;

FIG. 3 is a front elevation view thereof;

FIG. 4 is a right side elevation view thereof;

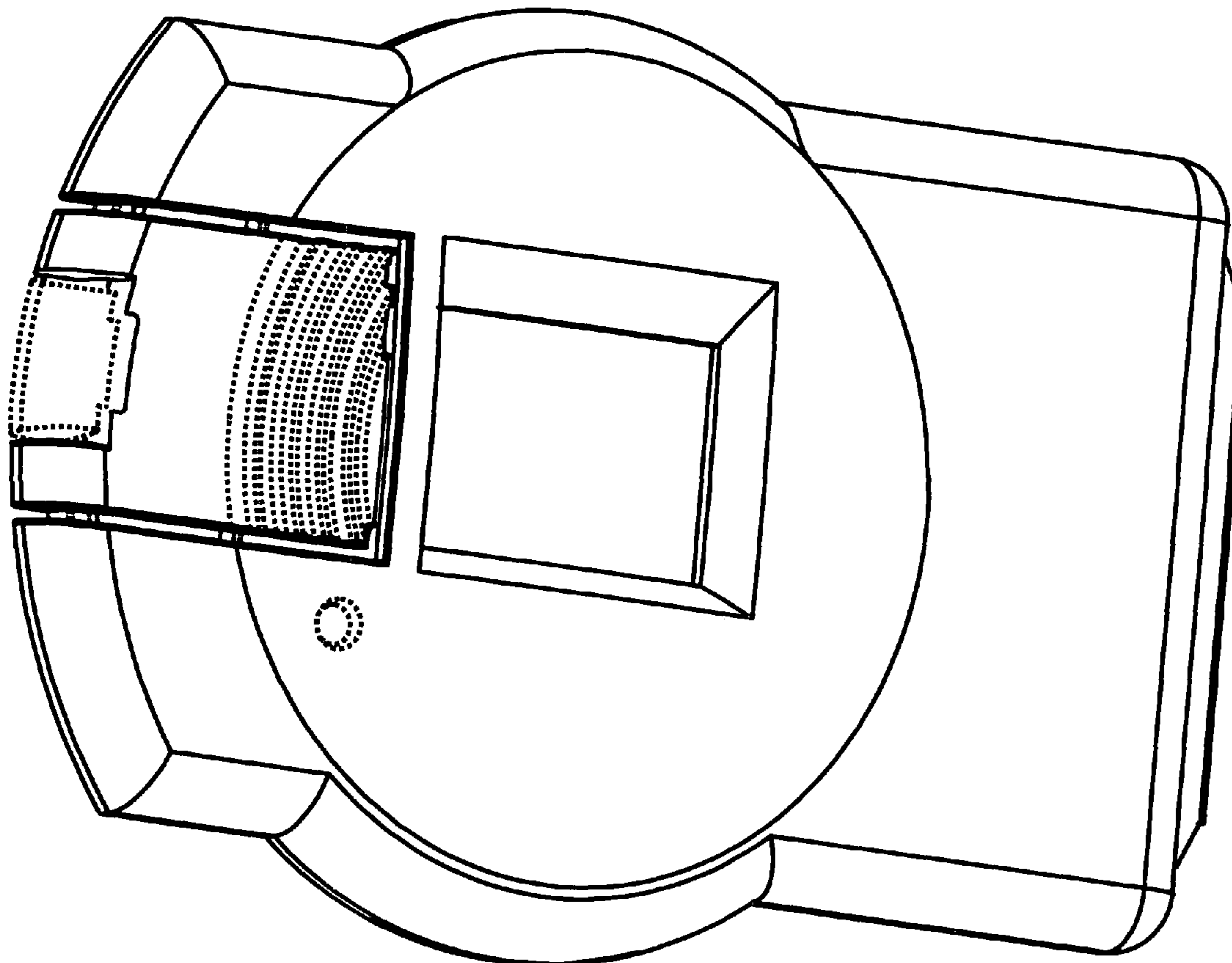
FIG. 5 is a left side elevation view thereof;

FIG. 6 is a back elevation view thereof; and,

FIG. 7 is a bottom plan view thereof.

The broken lines shown in the figure drawings are included for the purpose of illustrating environment and form no part of the claimed design.

**1 Claim, 6 Drawing Sheets**



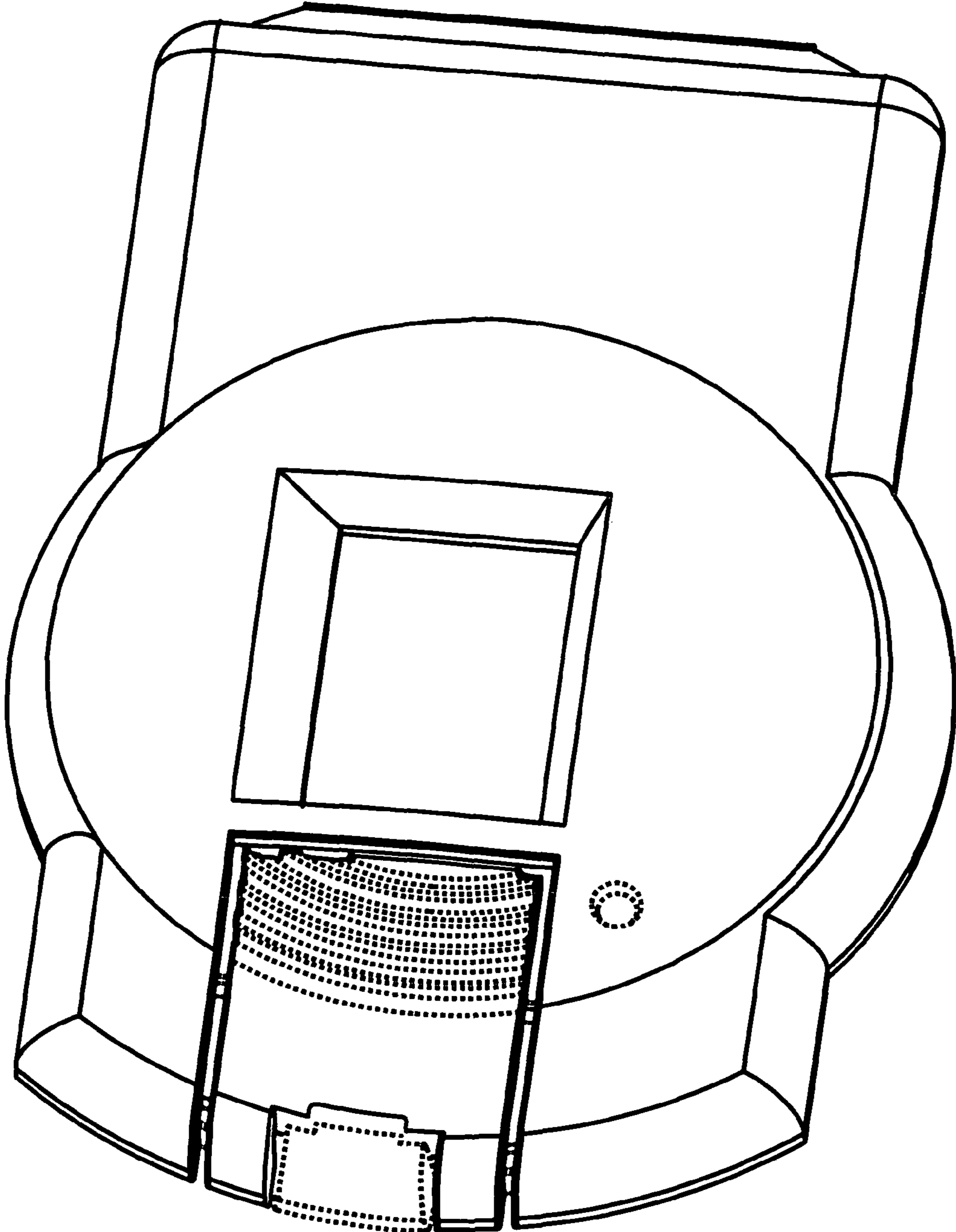


Figure 1

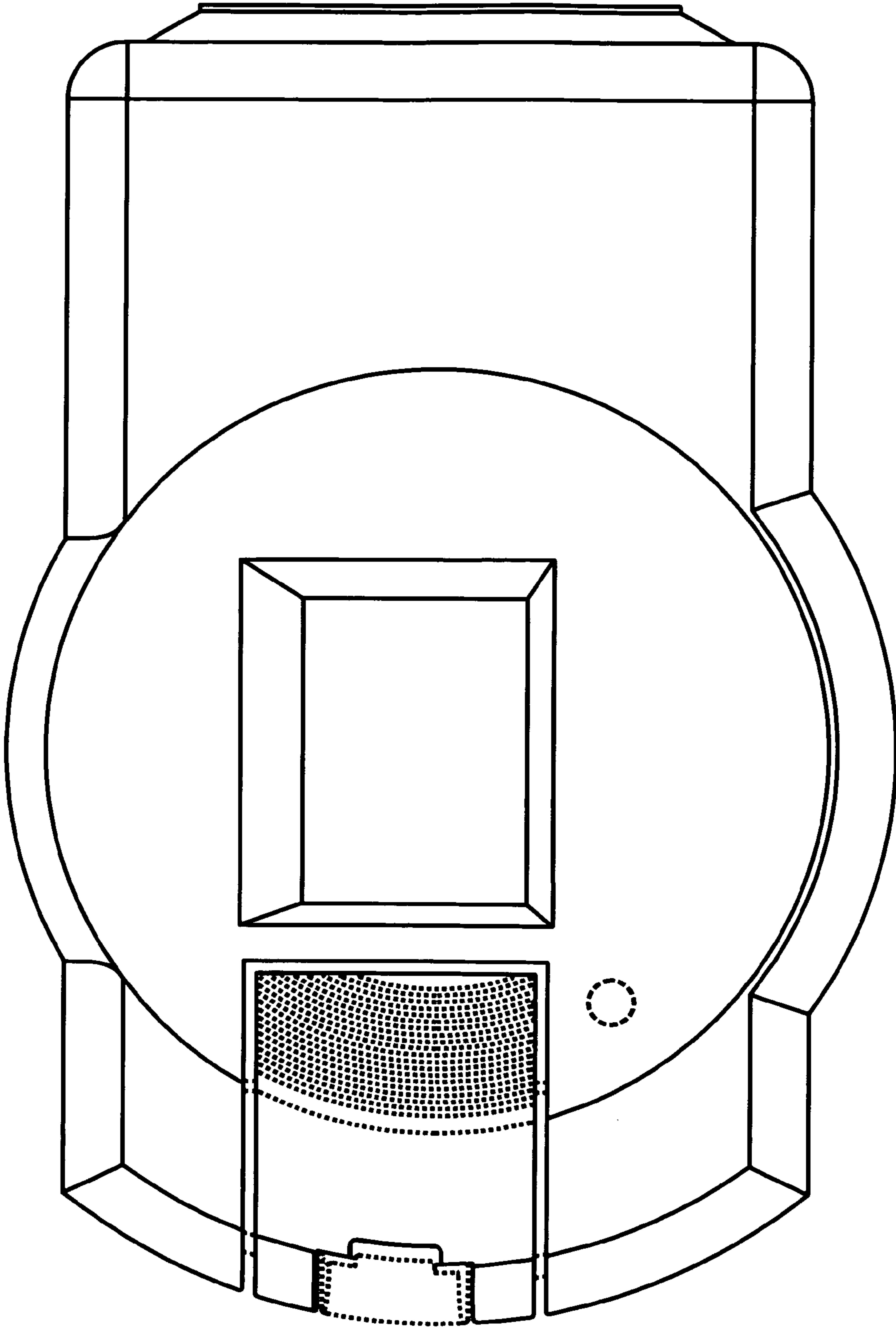


Figure 2

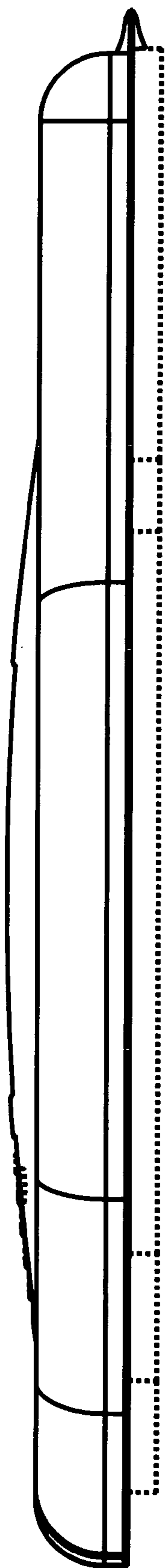


Figure 3

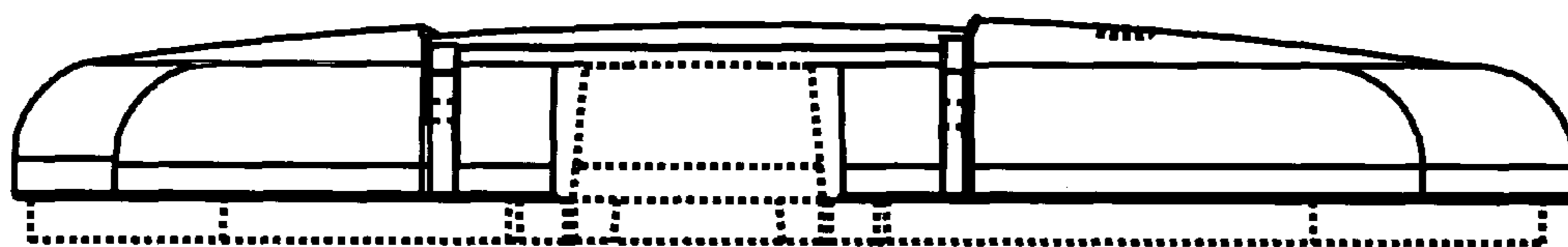


Figure 5

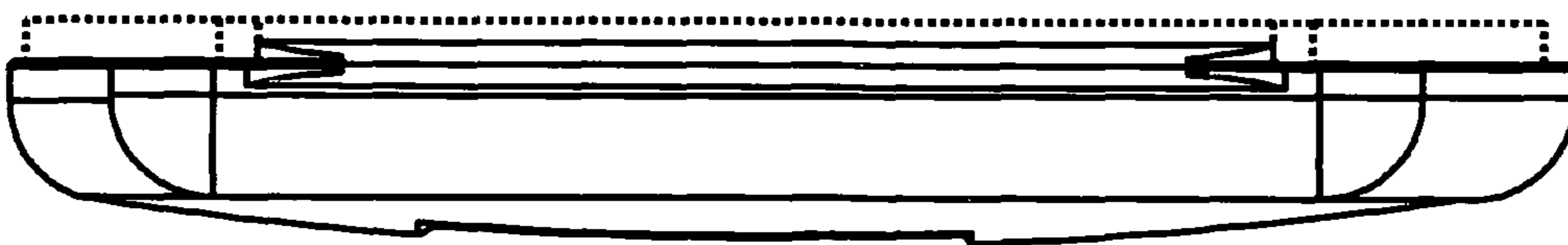


Figure 4

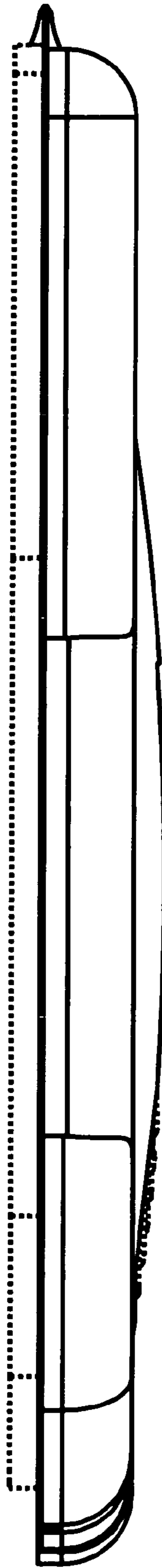


Figure 6

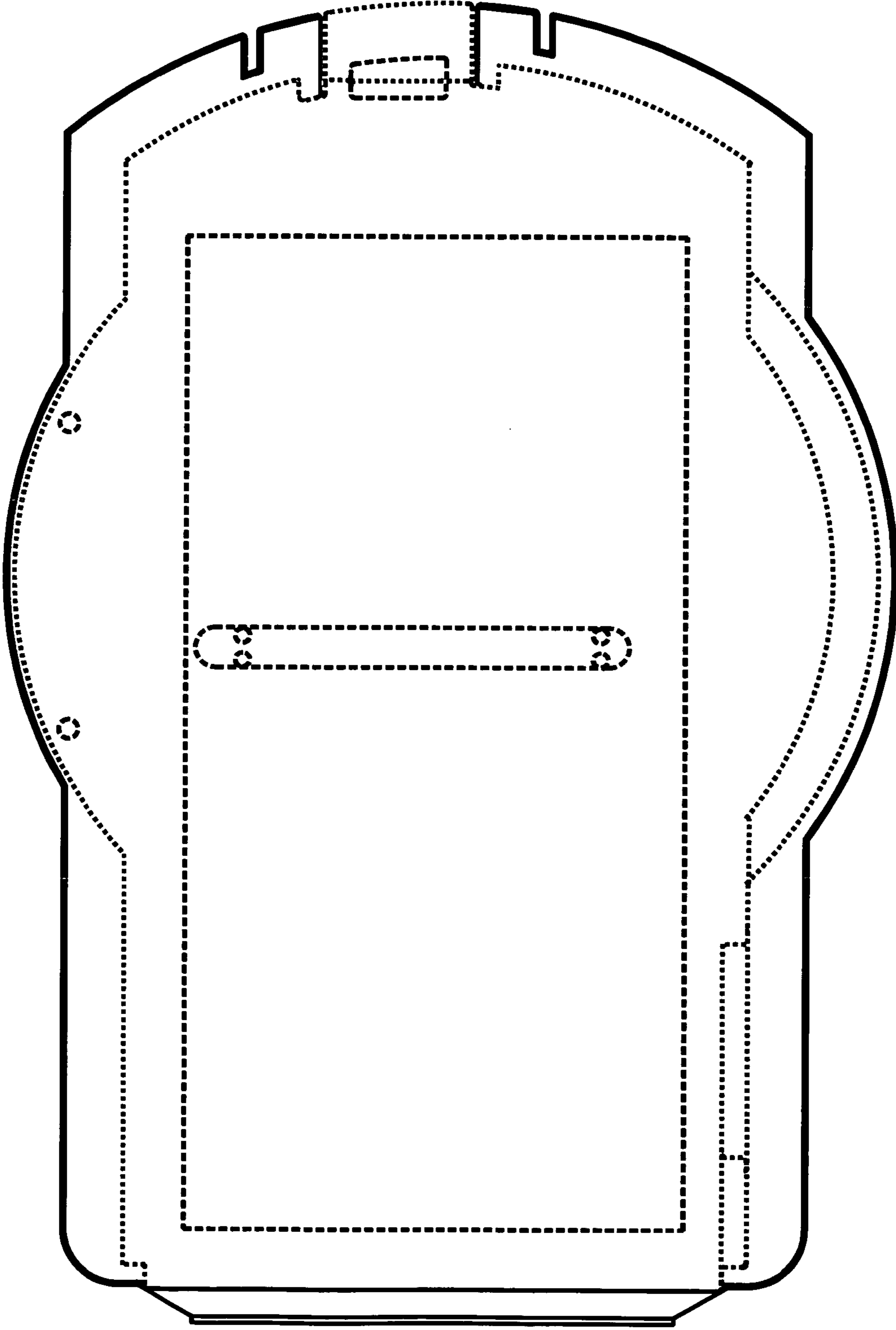


Figure 7