



US00D658605S

(12) **United States Design Patent**  
**Egawa et al.**

(10) **Patent No.:** **US D658,605 S**

(45) **Date of Patent:** **\*\* May 1, 2012**

(54) **LIGHT EMITTING DIODE MODULE**

(75) Inventors: **Kazuo Egawa**, Kanagawa (JP); **Yuichiro Takahara**, Kanagawa (JP); **Seiko Kawashima**, Kanagawa (JP); **Akiko Saito**, Kanagawa (JP); **Tsuyoshi Oyaizu**, Kanagawa (JP); **Takeshi Arimura**, Kanagawa (JP)

(73) Assignee: **Toshiba Lighting & Technology Corporation**, Kanagawa (JP)

(\*\*) Term: **14 Years**

(21) Appl. No.: **29/375,175**

(22) Filed: **Sep. 17, 2010**

(30) **Foreign Application Priority Data**

Jun. 15, 2010 (JP) ..... 2010-014673

(51) **LOC (9) Cl.** ..... **13-03**

(52) **U.S. Cl.** ..... **D13/180; D26/1**

(58) **Field of Classification Search** ..... D26/1-5, D26/120, 113; 313/483, 498, 500, 313, 315, 313/316, 317; 257/79-81, 88-89, 95, 98-100, 257/E33.058; 362/555, 800, 183, 382, 256, 362/309; D13/180, 182; D6/300, 308, 309  
See application file for complete search history.

(56) **References Cited**

**U.S. PATENT DOCUMENTS**

D15,850 S *	2/1885	Brownell	.....	D6/309
D190,388 S *	5/1961	Zurwaski	.....	D26/74
D206,327 S *	11/1966	Keys	.....	D13/182
D259,783 S *	7/1981	Mochizuki et al.	.....	D13/182
D282,024 S *	1/1986	Muranen	.....	D6/300
D292,043 S *	9/1987	Billiet	.....	D6/300
D375,941 S *	11/1996	Kerklaan	.....	D13/182
D499,891 S *	12/2004	Mackey	.....	D6/309
D503,691 S *	4/2005	Standing et al.	.....	D13/182
D512,694 S *	12/2005	Kim et al.	.....	D13/180

D522,468 S *	6/2006	Song	.....	D13/180
D532,142 S *	11/2006	Matsui et al.	.....	D26/80
D577,690 S *	9/2008	Shida et al.	.....	D13/180
D580,567 S *	11/2008	Mukai	.....	D26/24
D590,604 S *	4/2009	Pozin et al.	.....	D6/302
D591,248 S *	4/2009	Imai et al.	.....	D13/180
D593,043 S *	5/2009	Song	.....	D13/180
D598,401 S *	8/2009	Takada et al.	.....	D13/182
D614,593 S *	4/2010	Lee et al.	.....	D13/182
D615,052 S *	5/2010	Imai et al.	.....	D13/180
D619,975 S *	7/2010	Yamada	.....	D13/180
D622,876 S *	8/2010	Takahashi et al.	.....	D26/1
7,767,486 B2 *	8/2010	Edris et al.	.....	438/66
D623,151 S *	9/2010	Hwang et al.	.....	D13/180
D625,694 S *	10/2010	Morikawa et al.	.....	D13/180
D627,311 S *	11/2010	Lai et al.	.....	D13/180
D631,566 S *	1/2011	Egawa et al.	.....	D26/1
7,875,476 B2 *	1/2011	Lee et al.	.....	438/30
D636,899 S *	4/2011	Shibahara	.....	D26/1

(Continued)

**FOREIGN PATENT DOCUMENTS**

JP D1304576 6/2007

(Continued)

*Primary Examiner* — Jeffrey D Asch

(74) *Attorney, Agent, or Firm* — J.C. Patents

(57) **CLAIM**

The ornamental design for a light emitting diode module, as shown and described.

**DESCRIPTION**

FIG. 1 is a perspective view of a light emitting diode module showing our new design;

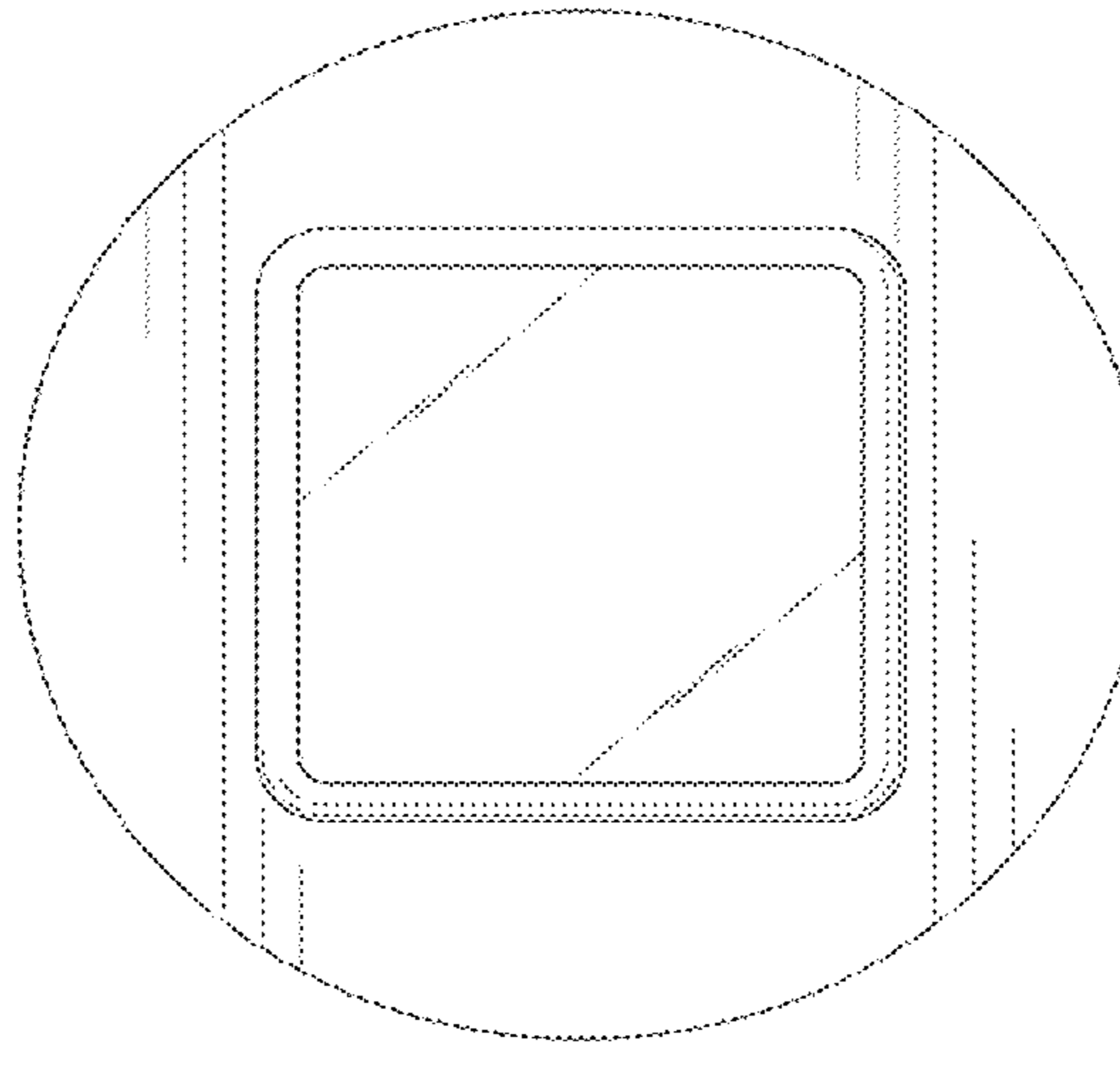
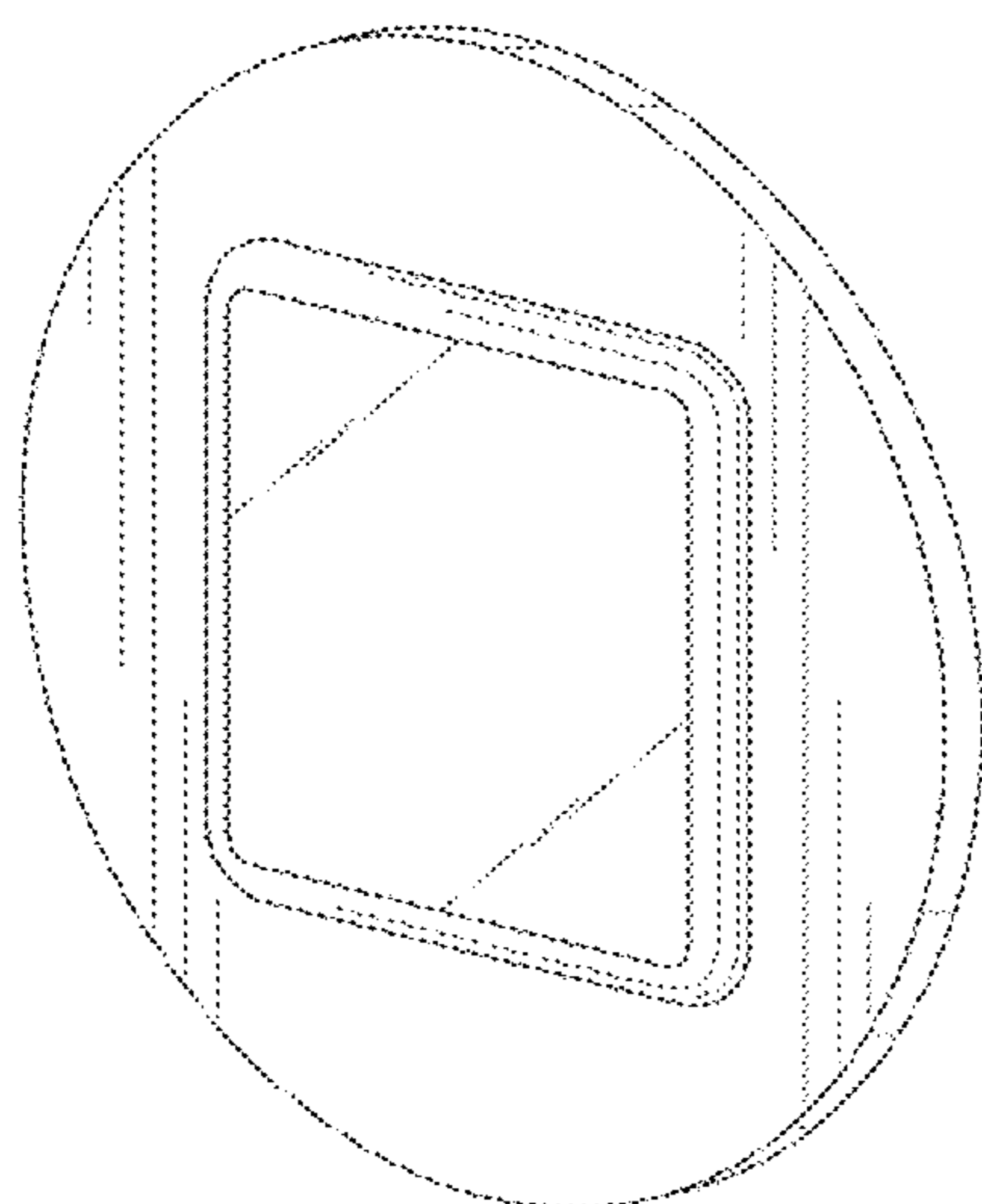
FIG. 2 is a front view thereof;

FIG. 3 is a rear view thereof;

FIG. 4 is a right side view thereof, the left side view being a mirror image of the right side view; and,

FIG. 5 is a top view thereof, the bottom view being a mirror image of the top view.

**1 Claim, 5 Drawing Sheets**



# US D658,605 S

Page 2

---

## U.S. PATENT DOCUMENTS

D637,564	S	*	5/2011	Tseng et al.	.....	D13/180
D647,492	S	*	10/2011	Imai et al.	.....	D13/180
D650,760	S	*	12/2011	Hussell et al.	.....	D13/180
2011/0044033	A1	*	2/2011	Zheng	.....	362/183
2011/0254022	A1	*	10/2011	Sasano	.....	257/88

## FOREIGN PATENT DOCUMENTS

JP	D1304708	6/2007
JP	D1304709	6/2007
JP	D1349714	1/2009

\* cited by examiner

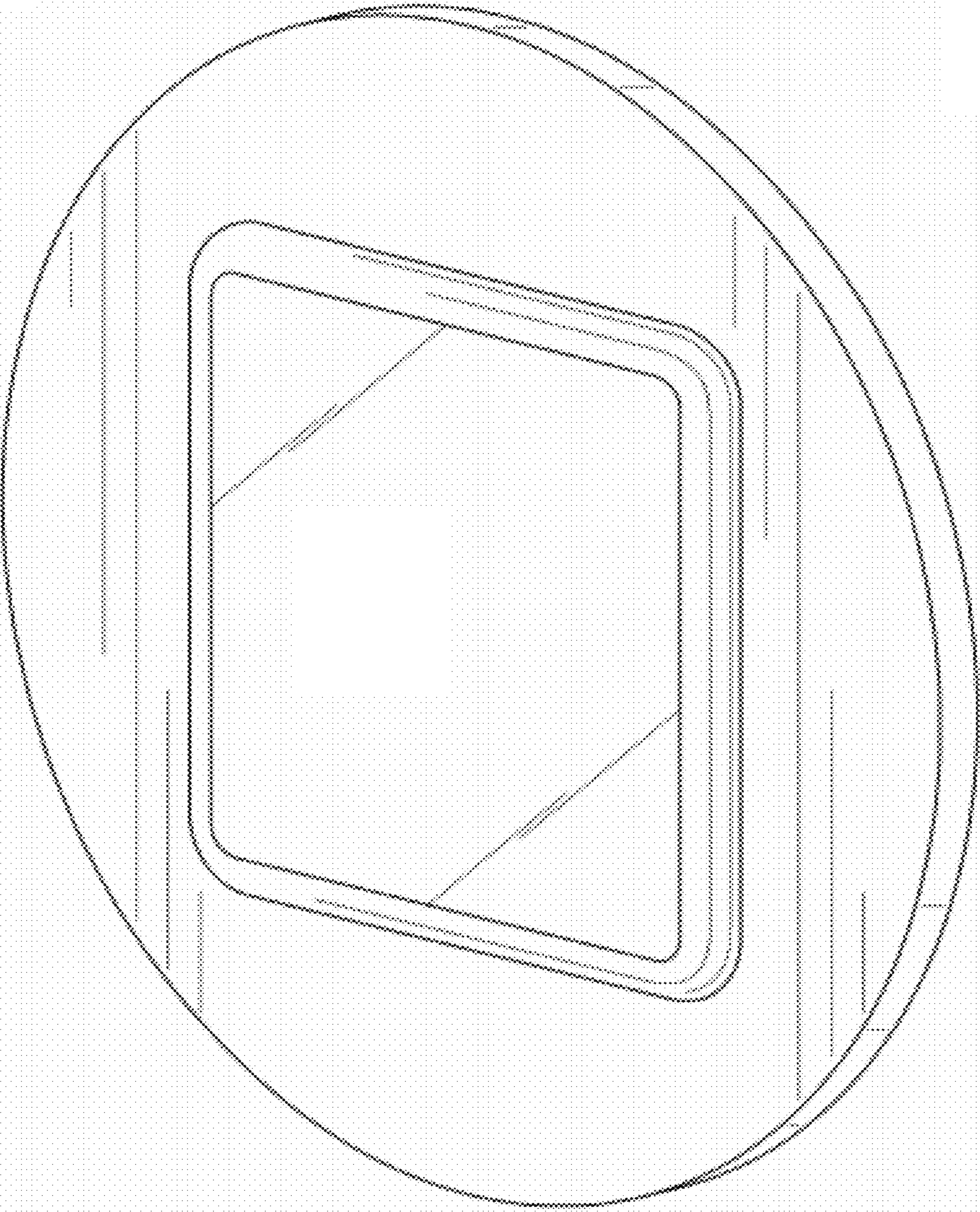


FIG. 1

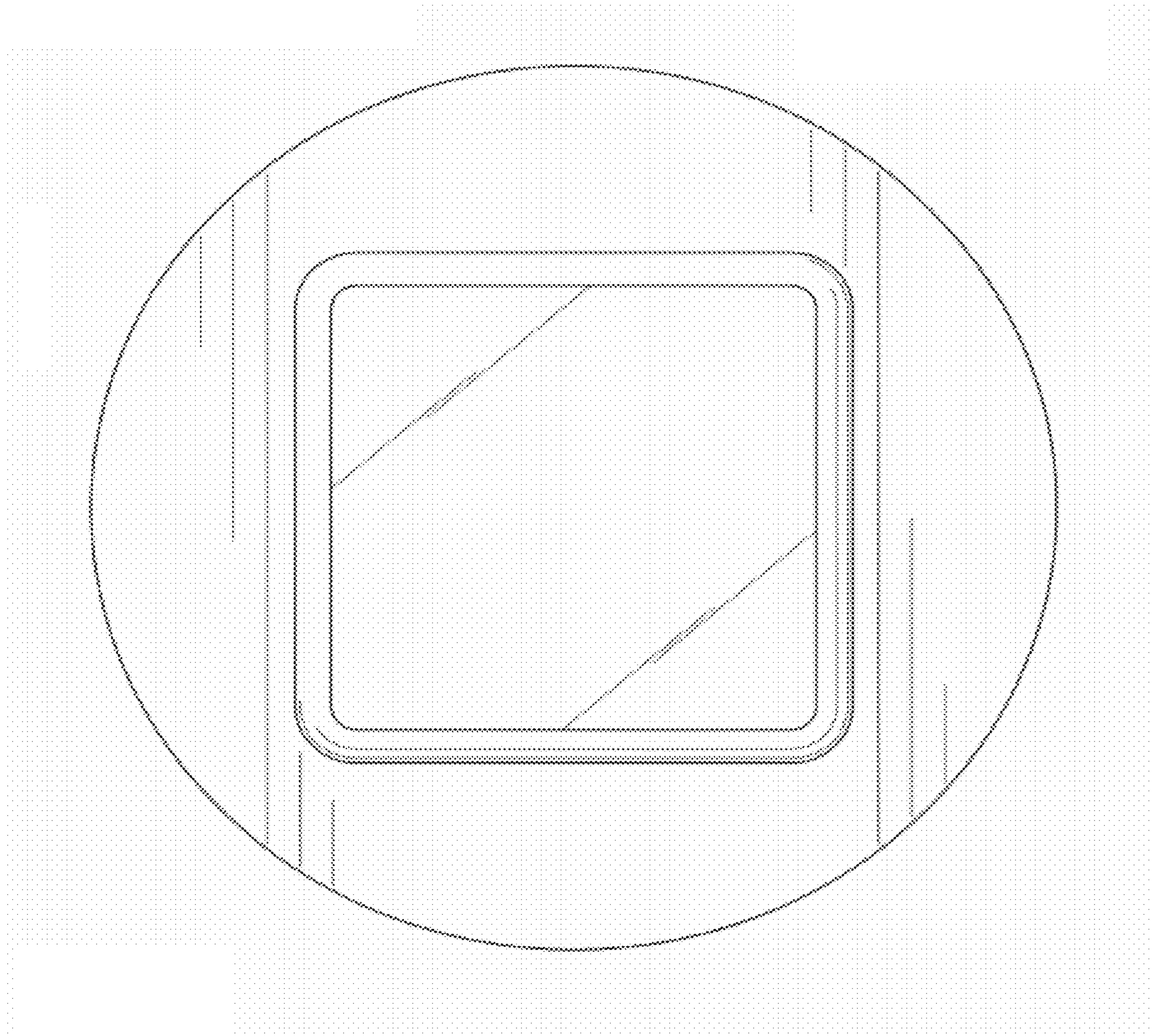


FIG. 2

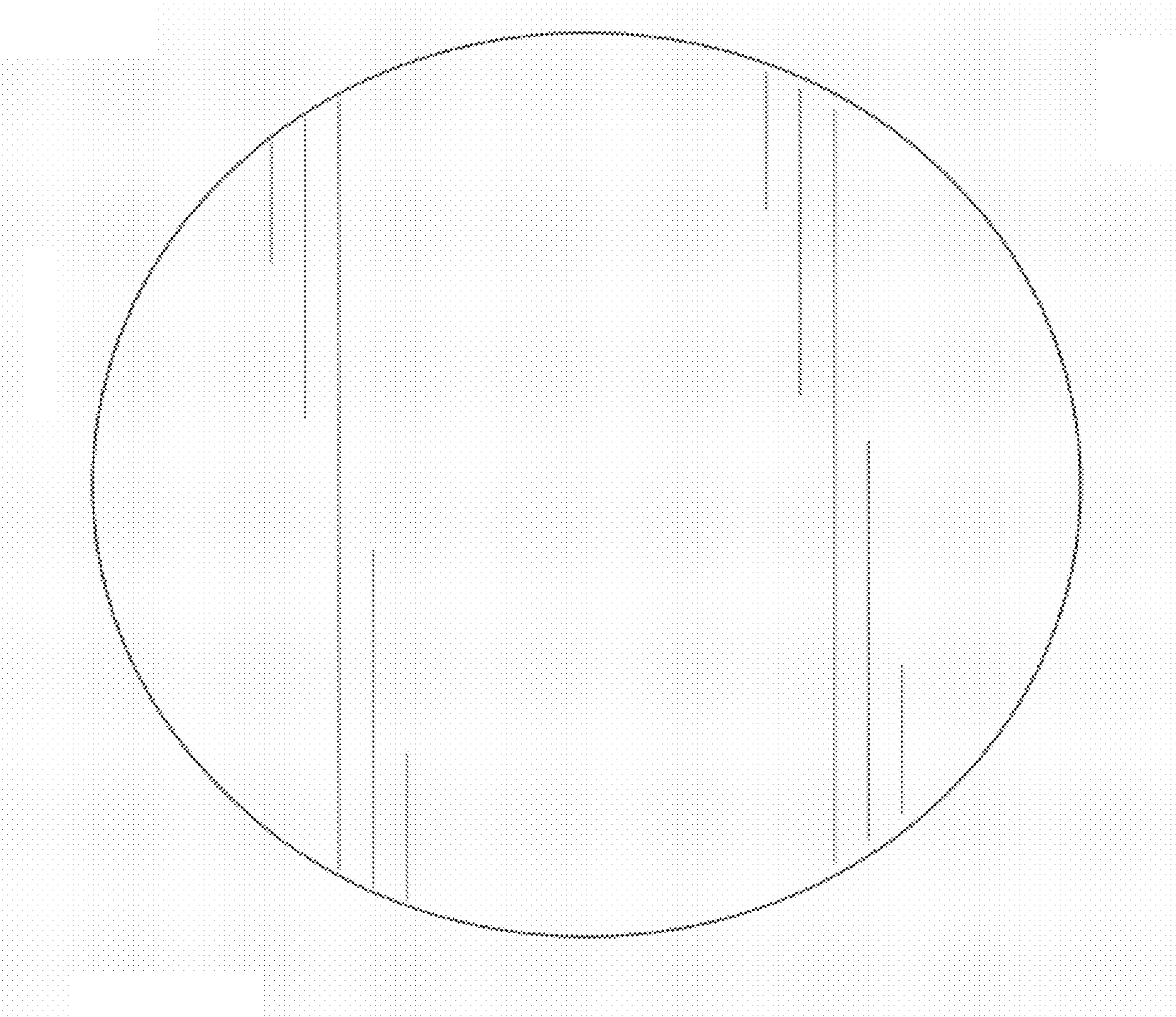


FIG. 3

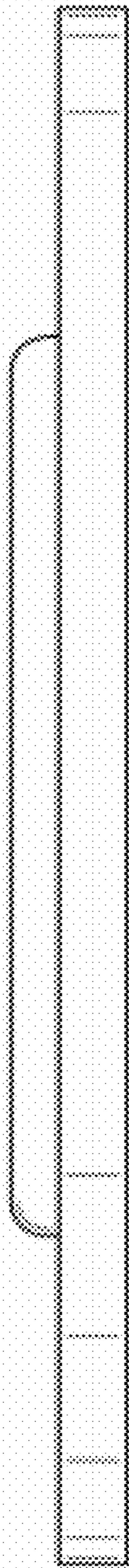


FIG. 4

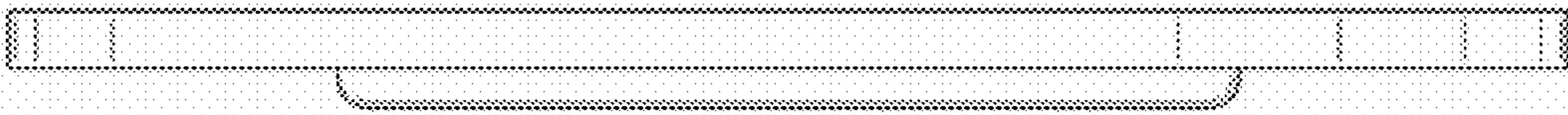


FIG. 5