

US00D658602S

(12) **United States Design Patent**
Egawa et al.

(10) **Patent No.:** **US D658,602 S**
(45) **Date of Patent:** **** May 1, 2012**

(54) **LIGHT EMITTING DIODE MODULE**

(75) Inventors: **Kazuo Egawa**, Kanagawa (JP); **Yuichiro Takahara**, Kanagawa (JP); **Seiko Kawashima**, Kanagawa (JP); **Akiko Saito**, Kanagawa (JP); **Tsuyoshi Oyaizu**, Kanagawa (JP); **Takeshi Arimura**, Kanagawa (JP)

(73) Assignee: **Toshiba Lighting & Technology Corporation**, Kanagawa (JP)

(**) Term: **14 Years**

(21) Appl. No.: **29/375,124**

(22) Filed: **Sep. 17, 2010**

(30) **Foreign Application Priority Data**

Jun. 15, 2010 (JP) 2010-014655

(51) **LOC (9) Cl.** **13-03**

(52) **U.S. Cl.** **D13/180; D26/1**

(58) **Field of Classification Search** D26/1-5, D26/120, 113; 313/483, 498, 500, 313, 315, 313/316, 317; 257/79-81, 88-89, 95, 98-100, 257/E33.058; 362/555, 800, 183, 382, 256, 362/309; D13/180, 182; D6/300, 308, 309
See application file for complete search history.

(56) **References Cited**

U.S. PATENT DOCUMENTS

D206,327	S	*	11/1966	Keys	D13/182
D259,783	S	*	7/1981	Mochizuki et al.	D13/182
D282,024	S	*	1/1986	Muranen	D6/300
D375,941	S	*	11/1996	Kerklaan	D13/182
D407,435	S	*	3/1999	Tell	D19/33
6,107,680	A	*	8/2000	Hodges	257/680
D503,691	S	*	4/2005	Standing et al.	D13/182
D503,930	S	*	4/2005	Asakawa	D13/180
D512,694	S	*	12/2005	Kim et al.	D13/180
D532,148	S	*	11/2006	Matsui et al.	D26/138

D548,199	S	*	8/2007	Chen	D10/106.1
D591,248	S	*	4/2009	Imai et al.	D13/180
D607,420	S	*	1/2010	Imai et al.	D13/180
D618,635	S	*	6/2010	Imai et al.	D13/180
D619,975	S	*	7/2010	Yamada	D13/180
7,767,486	B2	*	8/2010	Edris et al.	438/66
D623,150	S	*	9/2010	Hsieh	D13/180
D625,694	S	*	10/2010	Morikawa et al.	D13/180
7,884,374	B2	*	2/2011	Toyama et al.	257/79
D636,899	S	*	4/2011	Shibahara	D26/1
7,919,787	B2	*	4/2011	Lee et al.	257/99
D642,996	S	*	8/2011	Miyake	D13/180
D645,417	S	*	9/2011	Imai et al.	D13/180
D646,811	S	*	10/2011	Takeuchi et al.	D26/2
D647,492	S	*	10/2011	Imai et al.	D13/180
D650,760	S	*	12/2011	Hussell et al.	D13/180
2007/0018295	A1	*	1/2007	Kim et al.	257/678
2007/0235739	A1	*	10/2007	Sun et al.	257/79
2010/0124060	A1	*	5/2010	Wang	362/249.06

(Continued)

FOREIGN PATENT DOCUMENTS

JP D1183708 9/2003

(Continued)

Primary Examiner — Jeffrey D Asch

(74) *Attorney, Agent, or Firm* — J.C. Patents

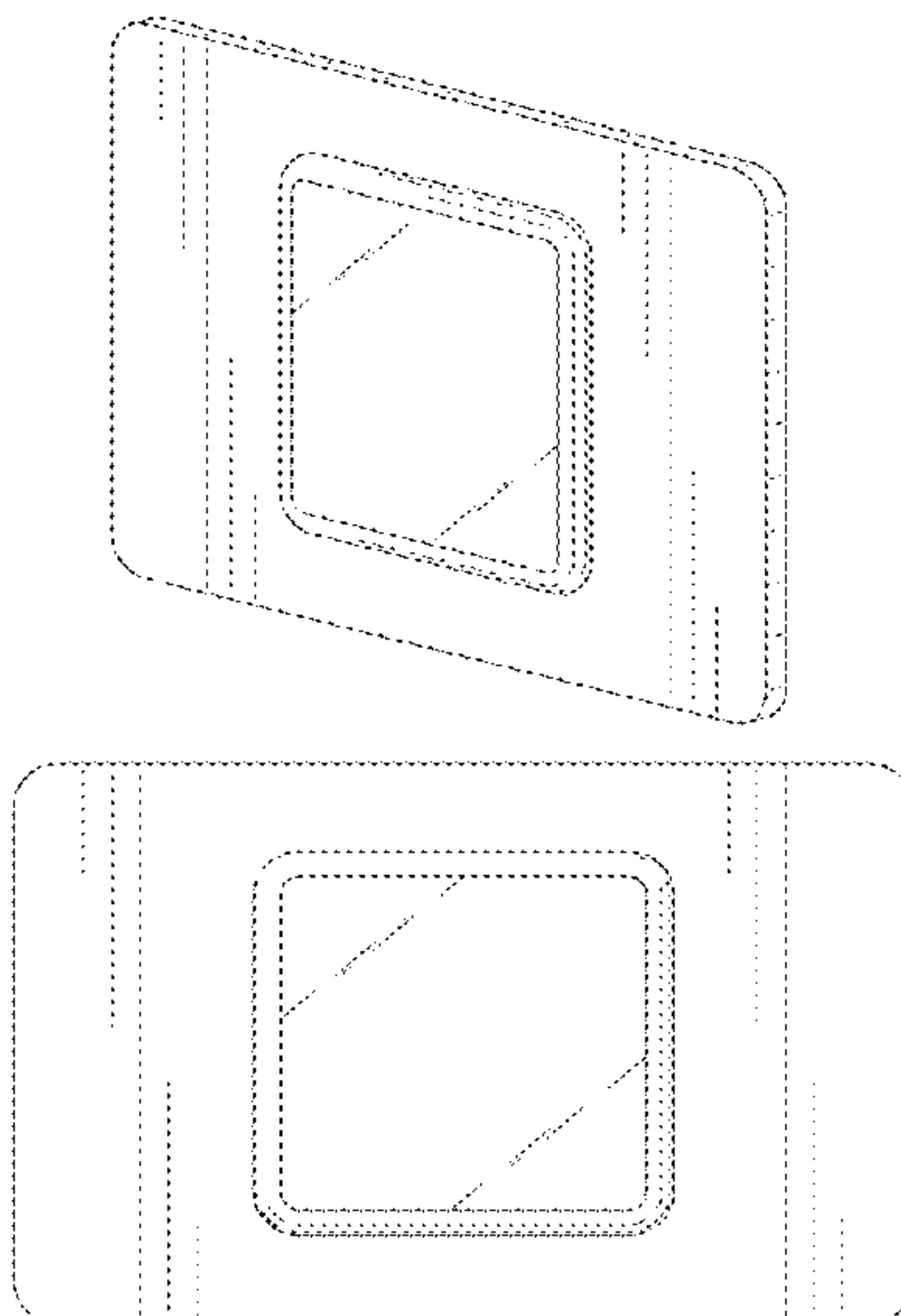
(57) **CLAIM**

The ornamental design for a light emitting diode module, as shown and described.

DESCRIPTION

FIG. 1 is a perspective view of a light emitting diode module showing our new design;
FIG. 2 is a front view thereof;
FIG. 3 is a rear view thereof;
FIG. 4 is a right side view thereof, the left side view being a mirror image of the right side view; and,
FIG. 5 is a top view thereof, the bottom view being a mirror image of the top view.

1 Claim, 5 Drawing Sheets



US D658,602 S

Page 2

U.S. PATENT DOCUMENTS

2011/0204392 A1* 8/2011 Weekamp et al. 257/88
2011/0222264 A1* 9/2011 Matsuda et al. 362/84
2011/0254022 A1* 10/2011 Sasano 257/88
2011/0291151 A1* 12/2011 Matsuda et al. 257/99
2012/0020086 A1* 1/2012 Kataoka 362/249.02

FOREIGN PATENT DOCUMENTS

JP D1218688 9/2004
JP D1343584 11/2008

* cited by examiner

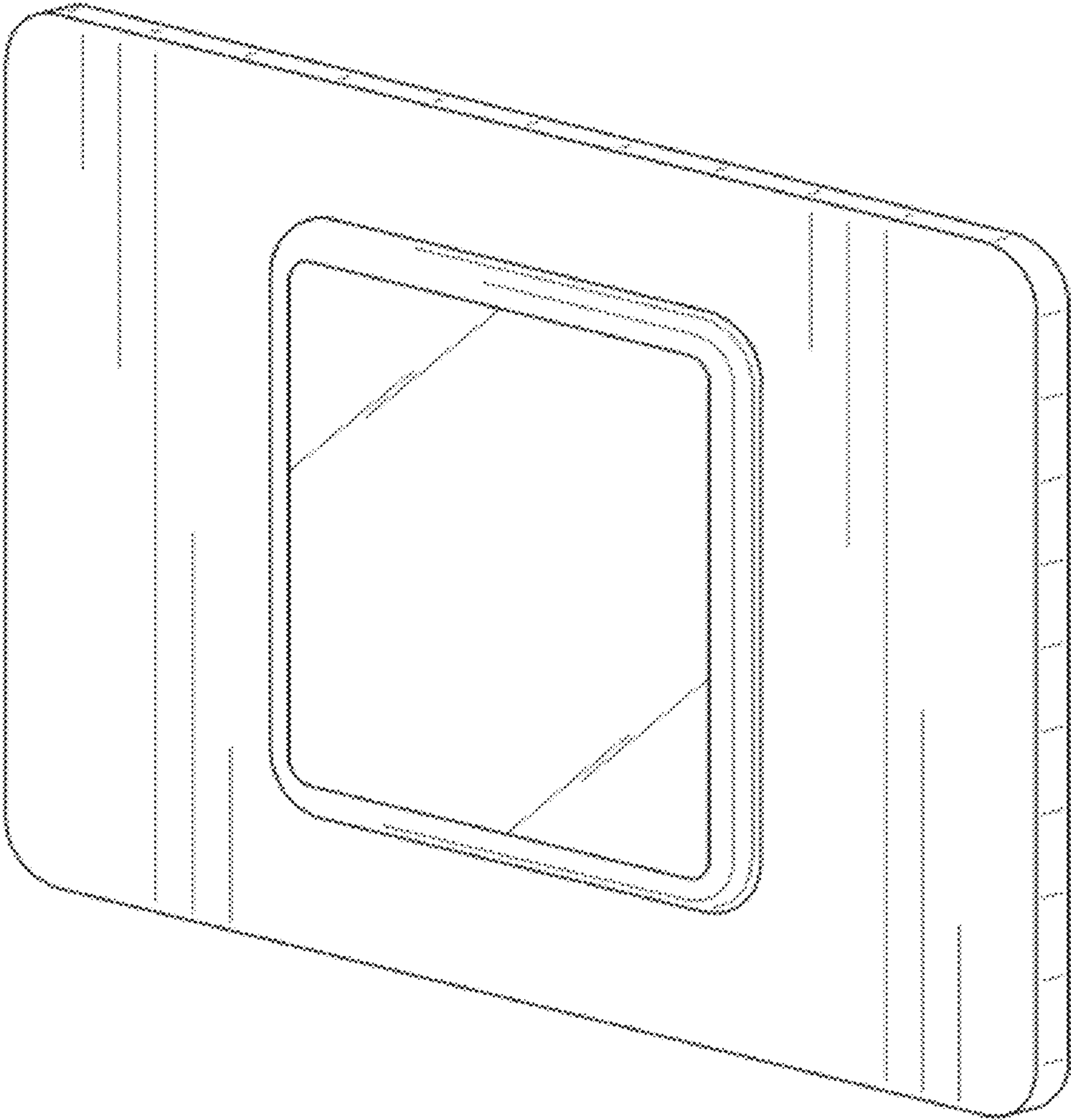


FIG. 1

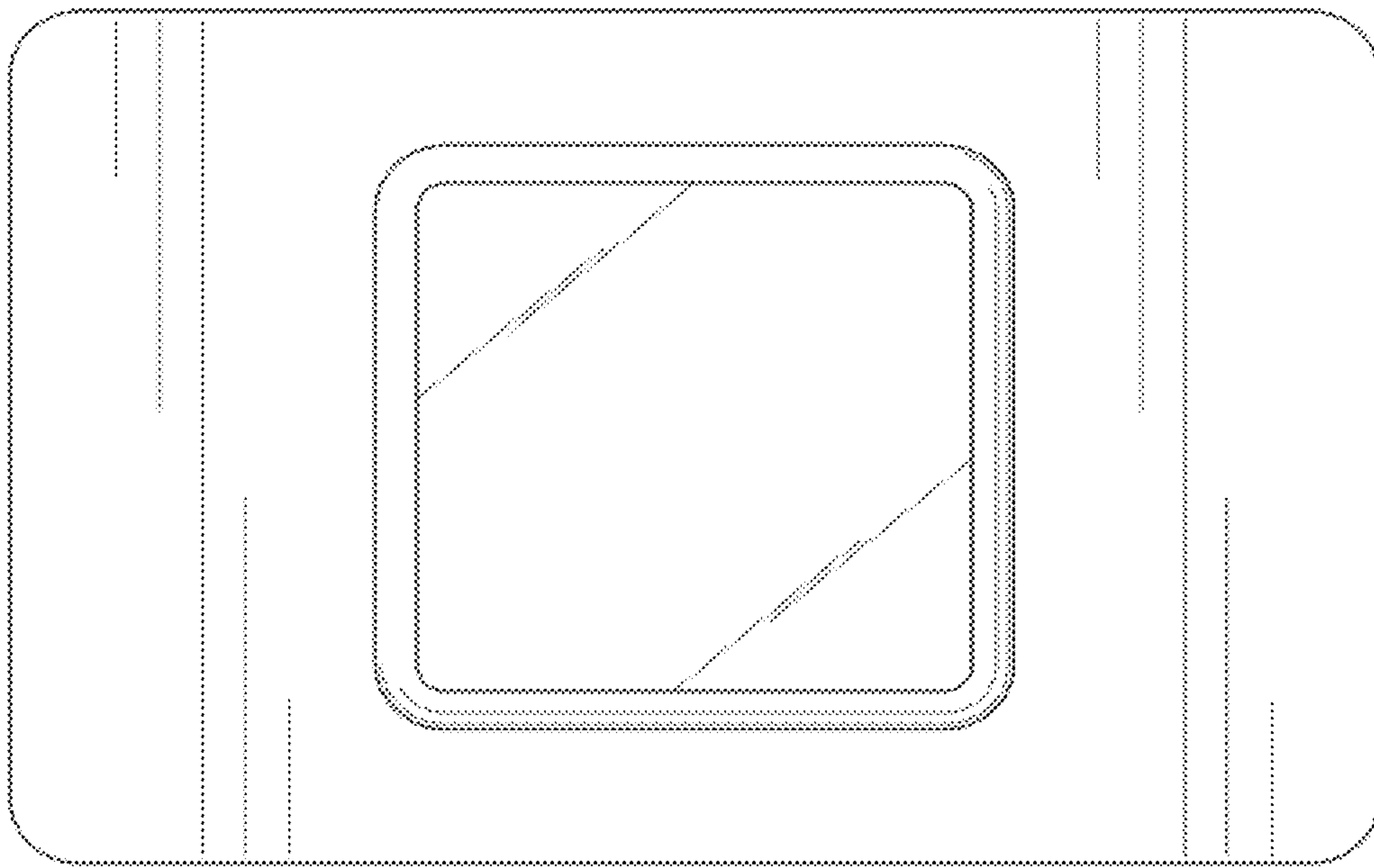


FIG. 2

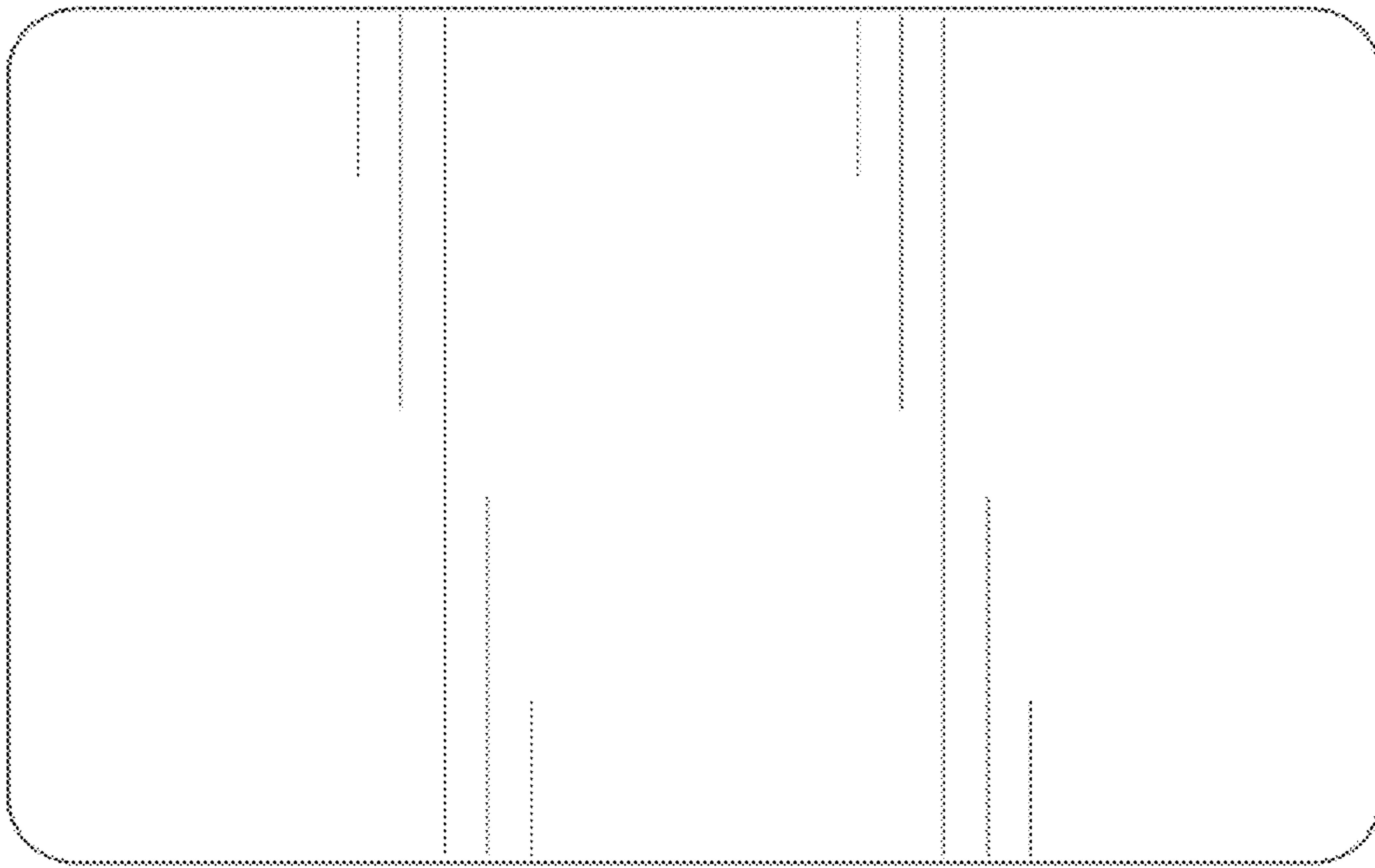


FIG. 3

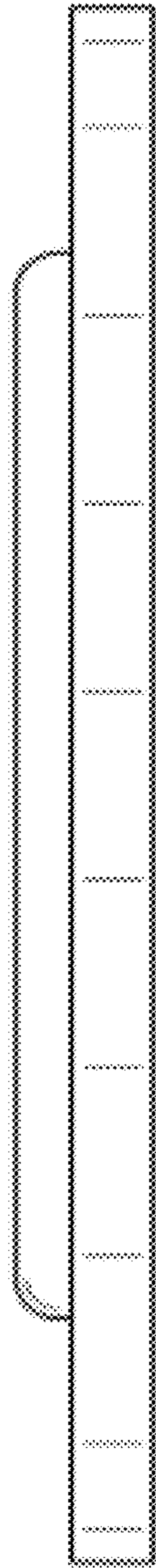


FIG. 4

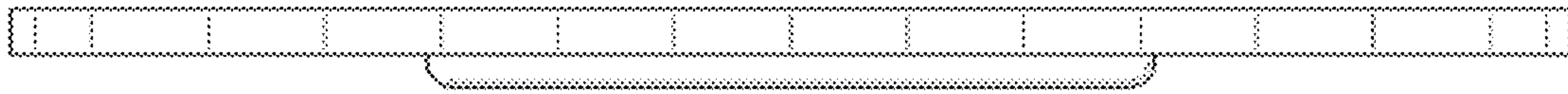


FIG. 5