



US00D658601S

(12) **United States Design Patent**
Egawa et al.

(10) **Patent No.:** **US D658,601 S**
(45) **Date of Patent:** **** May 1, 2012**

(54) **LIGHT EMITTING DIODE MODULE**

(75) Inventors: **Kazuo Egawa**, Kanagawa (JP); **Yuichiro Takahara**, Kanagawa (JP); **Seiko Kawashima**, Kanagawa (JP); **Akiko Saito**, Kanagawa (JP); **Tsuyoshi Oyaizu**, Kanagawa (JP); **Takeshi Arimura**, Kanagawa (JP)

(73) Assignee: **Toshiba Lighting & Technology Corporation**, Kanagawa (JP)

(**) Term: **14 Years**

(21) Appl. No.: **29/375,121**

(22) Filed: **Sep. 17, 2010**

(30) **Foreign Application Priority Data**

Jun. 15, 2010 (JP) 2010-014653

(51) **LOC (9) Cl.** **13-03**

(52) **U.S. Cl.** **D13/180; D26/1**

(58) **Field of Classification Search** D26/1-5, D26/120, 113; 313/483, 498, 500, 313, 315, 313/316, 317; 257/79-81, 88-89, 95, 98-100, 257/E33.058; 362/555, 800, 183, 382, 256, 362/309; D13/180, 182; D6/300, 308, 309
See application file for complete search history.

(56) **References Cited**

U.S. PATENT DOCUMENTS

| | | | | | | |
|-----------|----|---|---------|------------------|-------|---------|
| D206,327 | S | * | 11/1966 | Keys | | D13/182 |
| D259,560 | S | * | 6/1981 | Mochizuki et al. | | D13/182 |
| D259,783 | S | * | 7/1981 | Mochizuki et al. | | D13/182 |
| D282,024 | S | * | 1/1986 | Muranen | | D6/300 |
| D375,941 | S | * | 11/1996 | Kerklaan | | D13/182 |
| 5,844,307 | A | * | 12/1998 | Suzuki et al. | | 257/690 |
| D416,872 | S | * | 11/1999 | Burke | | D13/182 |
| 6,107,680 | A | * | 8/2000 | Hodges | | 257/680 |
| D445,262 | S | * | 7/2001 | Rowan | | D6/300 |
| 6,830,496 | B2 | * | 12/2004 | Lin et al. | | 445/49 |

| | | | | | | |
|-----------|----|---|---------|-----------------|-------|---------|
| D503,691 | S | * | 4/2005 | Standing et al. | | D13/182 |
| D503,930 | S | * | 4/2005 | Asakawa | | D13/180 |
| D512,694 | S | * | 12/2005 | Kim et al. | | D13/180 |
| D532,148 | S | * | 11/2006 | Matsui et al. | | D26/138 |
| D573,553 | S | * | 7/2008 | Uemoto et al. | | D13/180 |
| D575,245 | S | * | 8/2008 | Yen | | D13/180 |
| D591,248 | S | * | 4/2009 | Imai et al. | | D13/180 |
| D611,436 | S | * | 3/2010 | Ho | | D13/180 |
| D615,052 | S | * | 5/2010 | Imai et al. | | D13/180 |
| D619,975 | S | * | 7/2010 | Yamada | | D13/180 |
| 7,767,486 | B2 | * | 8/2010 | Edris et al. | | 438/66 |
| D625,694 | S | * | 10/2010 | Morikawa et al. | | D13/180 |
| D627,311 | S | * | 11/2010 | Lai et al. | | D13/180 |
| 7,884,374 | B2 | * | 2/2011 | Toyama et al. | | 257/79 |
| D636,356 | S | * | 4/2011 | Yamada | | D13/180 |
| D636,899 | S | * | 4/2011 | Shibahara | | D26/1 |
| D646,811 | S | * | 10/2011 | Takeuchi et al. | | D26/2 |
| D647,492 | S | * | 10/2011 | Imai et al. | | D13/180 |
| 8,030,676 | B2 | * | 10/2011 | Lin | | 257/99 |

(Continued)

FOREIGN PATENT DOCUMENTS

JP D1183708 9/2003

(Continued)

Primary Examiner — Jeffrey D Asch

(74) *Attorney, Agent, or Firm* — J.C. Patents

(57) **CLAIM**

The ornamental design for a light emitting diode module, as shown and described.

DESCRIPTION

FIG. 1 is a perspective view of a light emitting diode module showing our new design;

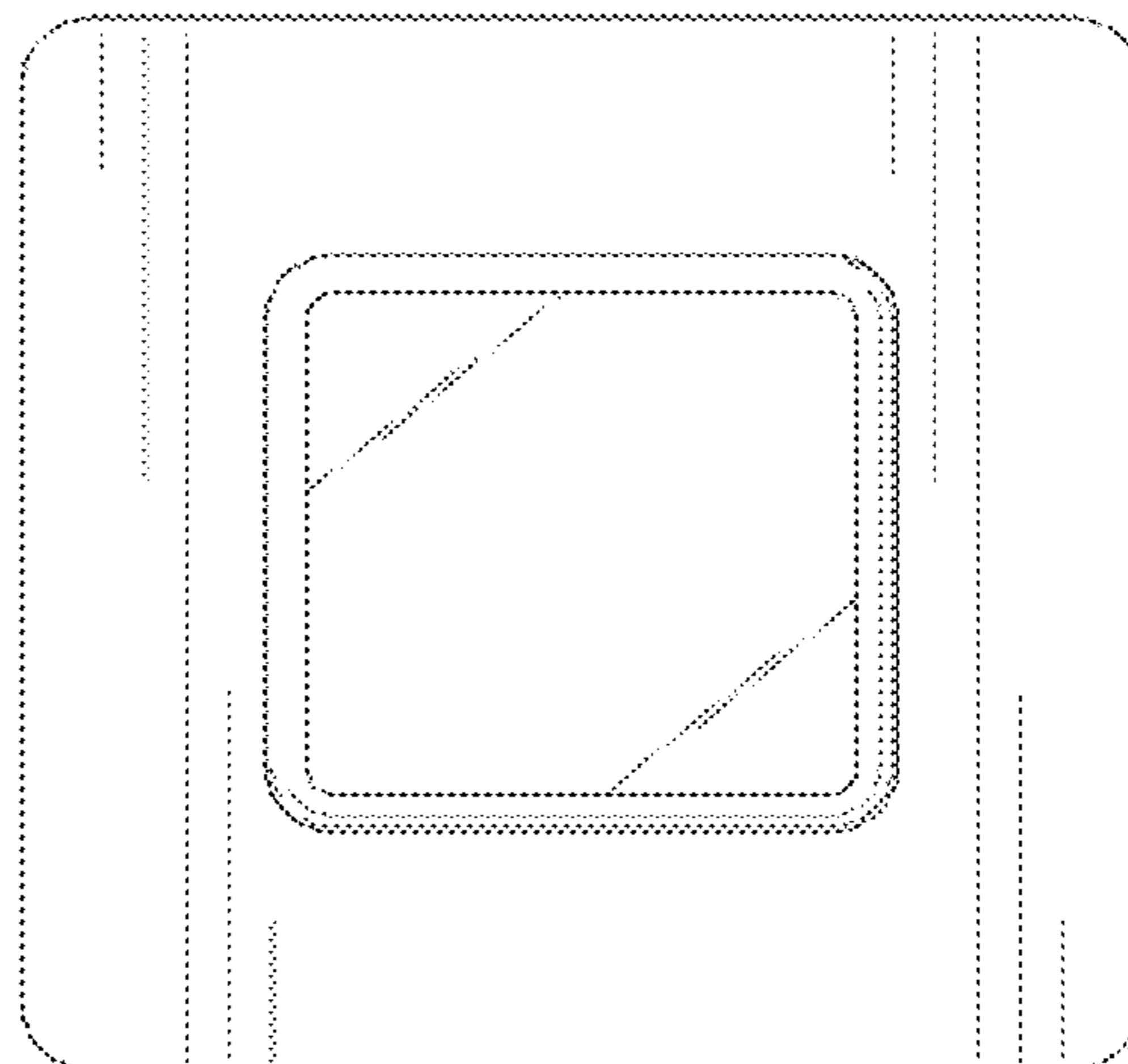
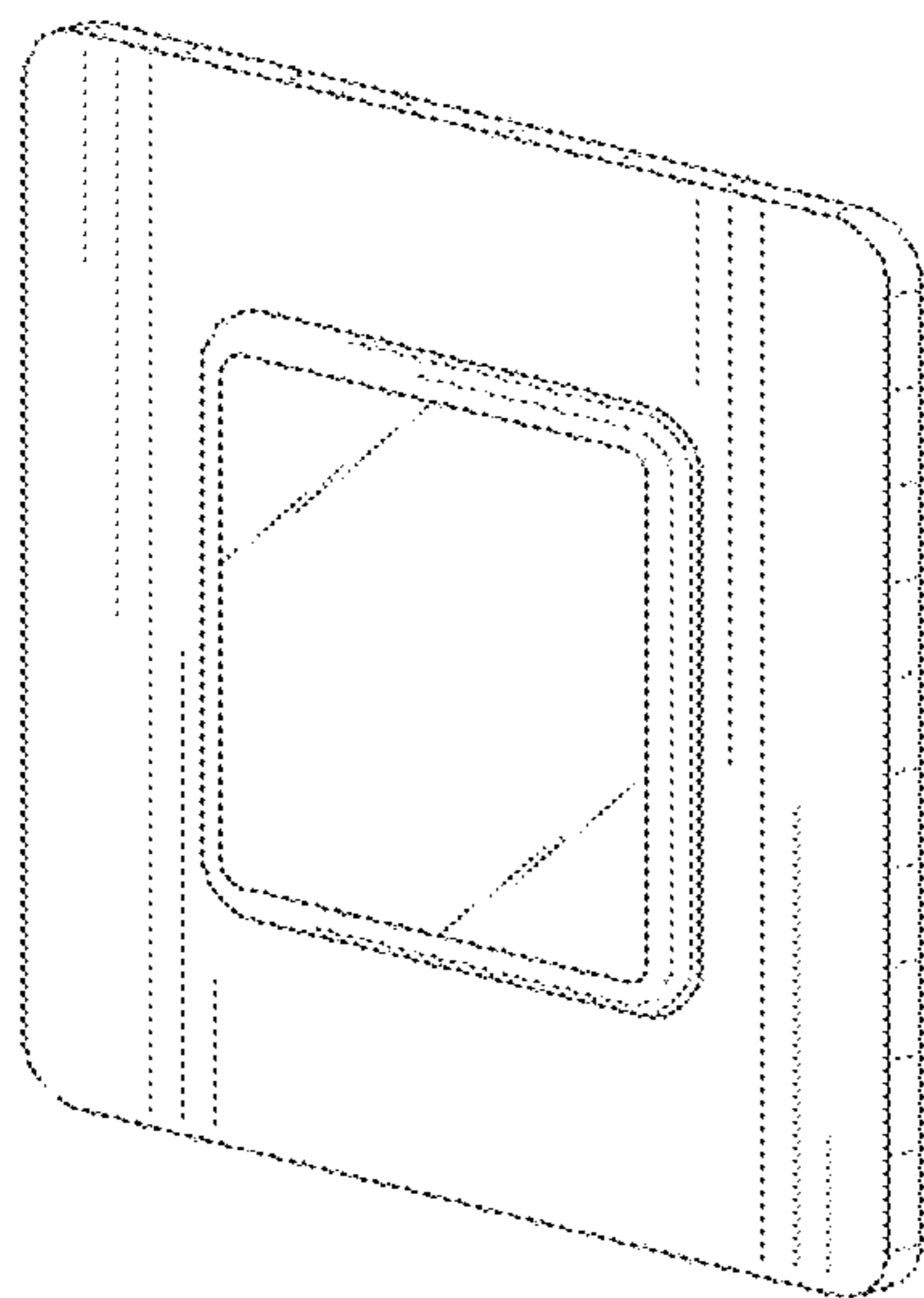
FIG. 2 is a front view thereof;

FIG. 3 is a rear view thereof;

FIG. 4 is a right side view thereof, the left side view being a mirror image of the right side view; and,

FIG. 5 is a top view thereof, the bottom view being a mirror image of the top view.

1 Claim, 5 Drawing Sheets



US D658,601 S

Page 2

U.S. PATENT DOCUMENTS

D650,760 S * 12/2011 Hussell et al. D13/180
2007/0018295 A1 * 1/2007 Kim et al. 257/678
2007/0235739 A1 * 10/2007 Sun et al. 257/79
2010/0148193 A1 * 6/2010 Duong et al. 257/88
2011/0222264 A1 * 9/2011 Matsuda et al. 362/84
2011/0254022 A1 * 10/2011 Sasano 257/88

2011/0291151 A1* 12/2011 Matsuda et al. 257/99

FOREIGN PATENT DOCUMENTS

JP D1218688 9/2004
JP D1343584 11/2008

* cited by examiner

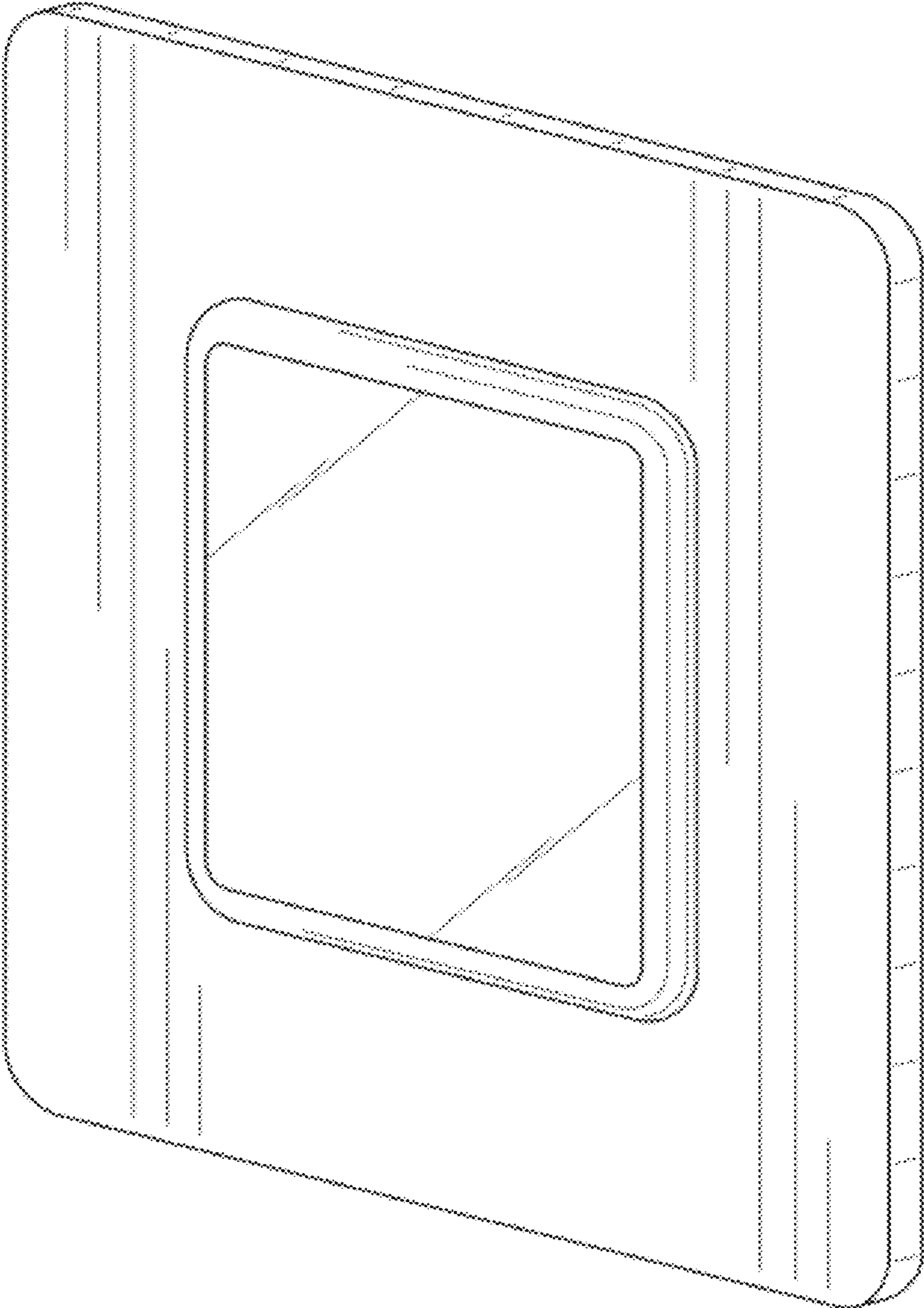


FIG. 1

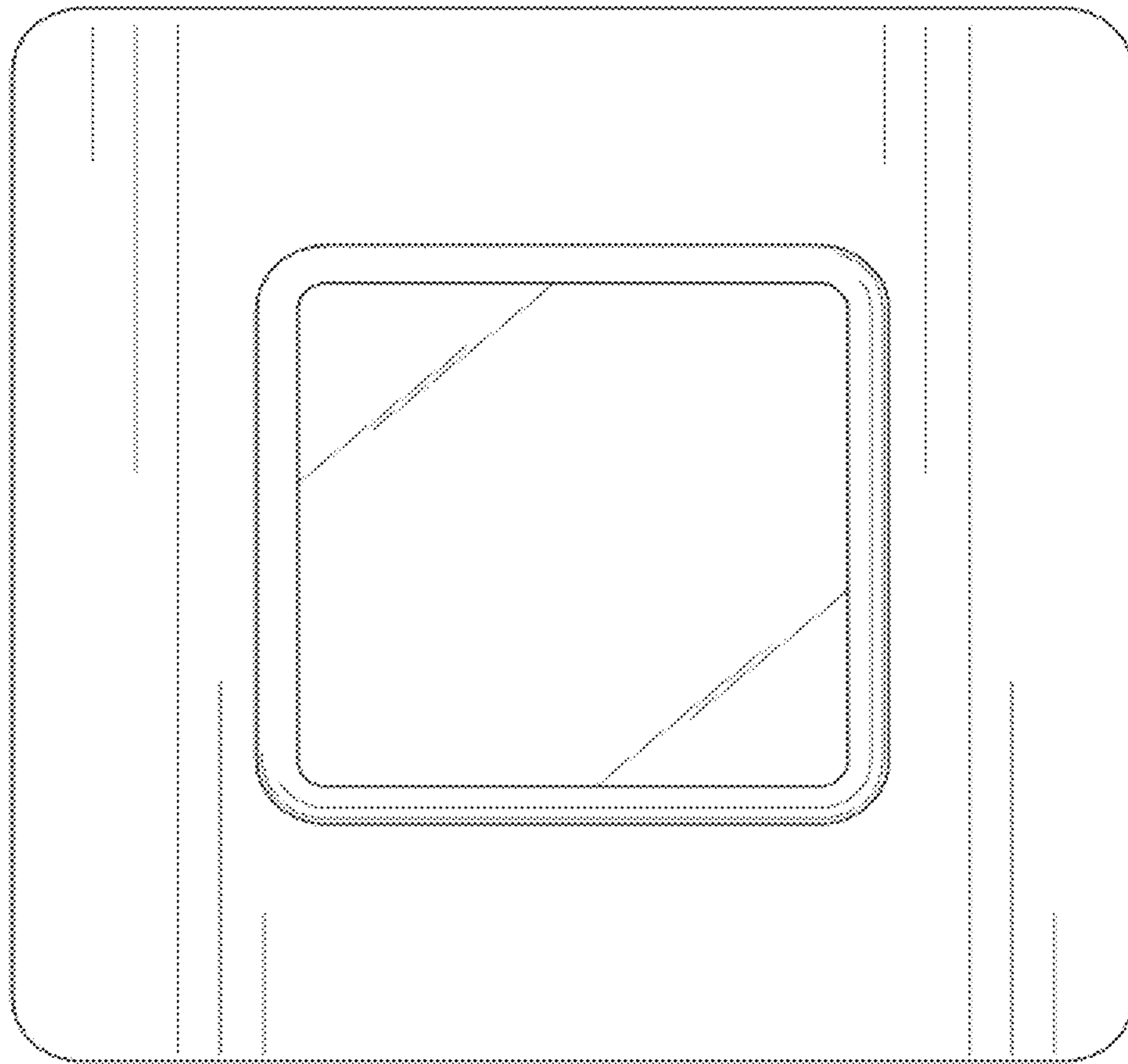


FIG. 2

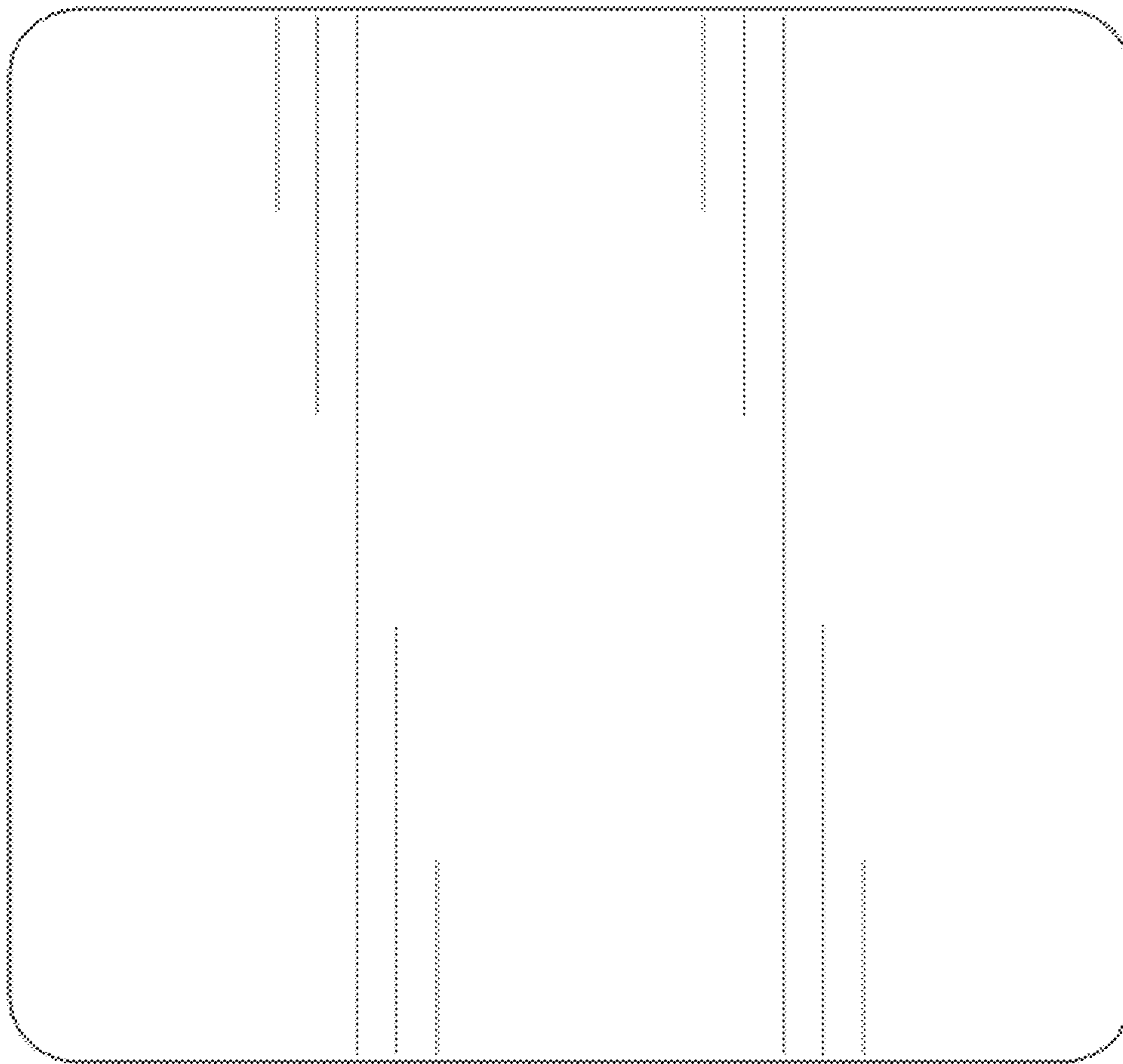


FIG. 3



FIG. 4

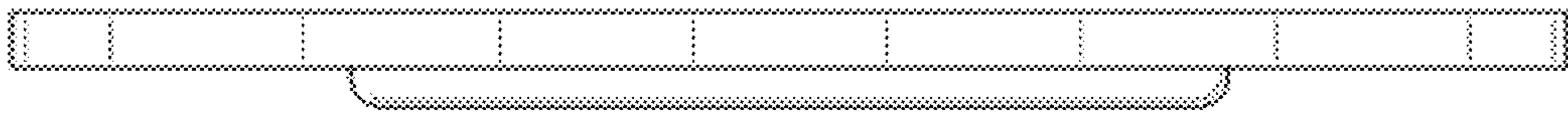


FIG. 5