



US00D658600S

(12) **United States Design Patent**
Egawa et al.

(10) **Patent No.:** **US D658,600 S**
(45) **Date of Patent:** **** May 1, 2012**

(54) **LIGHT EMITTING DIODE MODULE**

(75) Inventors: **Kazuo Egawa**, Kanagawa (JP); **Yuichiro Takahara**, Kanagawa (JP); **Seiko Kawashima**, Kanagawa (JP); **Akiko Saito**, Kanagawa (JP); **Tsuyoshi Oyaizu**, Kanagawa (JP); **Takeshi Arimura**, Kanagawa (JP)

(73) Assignee: **Toshiba Lighting & Technology Corporation**, Kanagawa (JP)

(**) Term: **14 Years**

(21) Appl. No.: **29/375,119**

(22) Filed: **Sep. 17, 2010**

(30) **Foreign Application Priority Data**

Jun. 15, 2010 (JP) 2010-014644

(51) **LOC (9) Cl.** **13-03**

(52) **U.S. Cl.** **D13/180; D26/1**

(58) **Field of Classification Search** D26/1-5, D26/120, 113; 313/483, 498, 500, 313, 315, 313/316, 317; 257/79-81, 88-89, 95, 98-100, 257/E33.058; 362/555, 800, 183, 382, 256, 362/309; D13/180, 182; D6/300, 308, 309
See application file for complete search history.

(56) **References Cited**

U.S. PATENT DOCUMENTS

D206,327 S *	11/1966	Keys	D13/182
D259,783 S *	7/1981	Mochizuki et al.	D13/182
D282,024 S *	1/1986	Muranen	D6/300
D375,941 S *	11/1996	Kerklaan	D13/182
D407,435 S *	3/1999	Tell	D19/33
D495,304 S *	8/2004	Kim et al.	D13/180
D503,691 S *	4/2005	Standing et al.	D13/182
D512,694 S *	12/2005	Kim et al.	D13/180
D522,468 S *	6/2006	Song	D13/180
D522,978 S *	6/2006	Ochi et al.	D13/182

D575,245 S *	8/2008	Yen	D13/180
D591,248 S *	4/2009	Imai et al.	D13/180
D607,420 S *	1/2010	Imai et al.	D13/180
D611,436 S *	3/2010	Ho	D13/180
D615,052 S *	5/2010	Imai et al.	D13/180
D618,635 S *	6/2010	Imai et al.	D13/180
D619,975 S *	7/2010	Yamada	D13/180
7,767,486 B2 *	8/2010	Edris et al.	438/66
D623,150 S *	9/2010	Hsieh	D13/180
D625,694 S *	10/2010	Morikawa et al.	D13/180
D636,899 S *	4/2011	Shibahara	D26/1
D637,564 S *	5/2011	Tseng et al.	D13/180
D645,417 S *	9/2011	Imai et al.	D13/180
D647,492 S *	10/2011	Imai et al.	D13/180
D650,760 S *	12/2011	Hussell et al.	D13/180
2007/0235739 A1 *	10/2007	Sun et al.	257/79
2011/0254022 A1 *	10/2011	Sasano	257/88
2011/0291151 A1 *	12/2011	Matsuda et al.	257/99
2012/0020086 A1 *	1/2012	Kataoka	362/249.02

FOREIGN PATENT DOCUMENTS

JP	D1183708	9/2003
JP	D1218688	9/2004
JP	D1343584	11/2008

* cited by examiner

Primary Examiner — Jeffrey D Asch

(74) *Attorney, Agent, or Firm* — J.C. Patents

(57) **CLAIM**

The ornamental design for a light emitting diode module, as shown.

DESCRIPTION

FIG. 1 is a perspective view of a light emitting diode module showing our new design;

FIG. 2 is a front view thereof;

FIG. 3 is a rear view thereof;

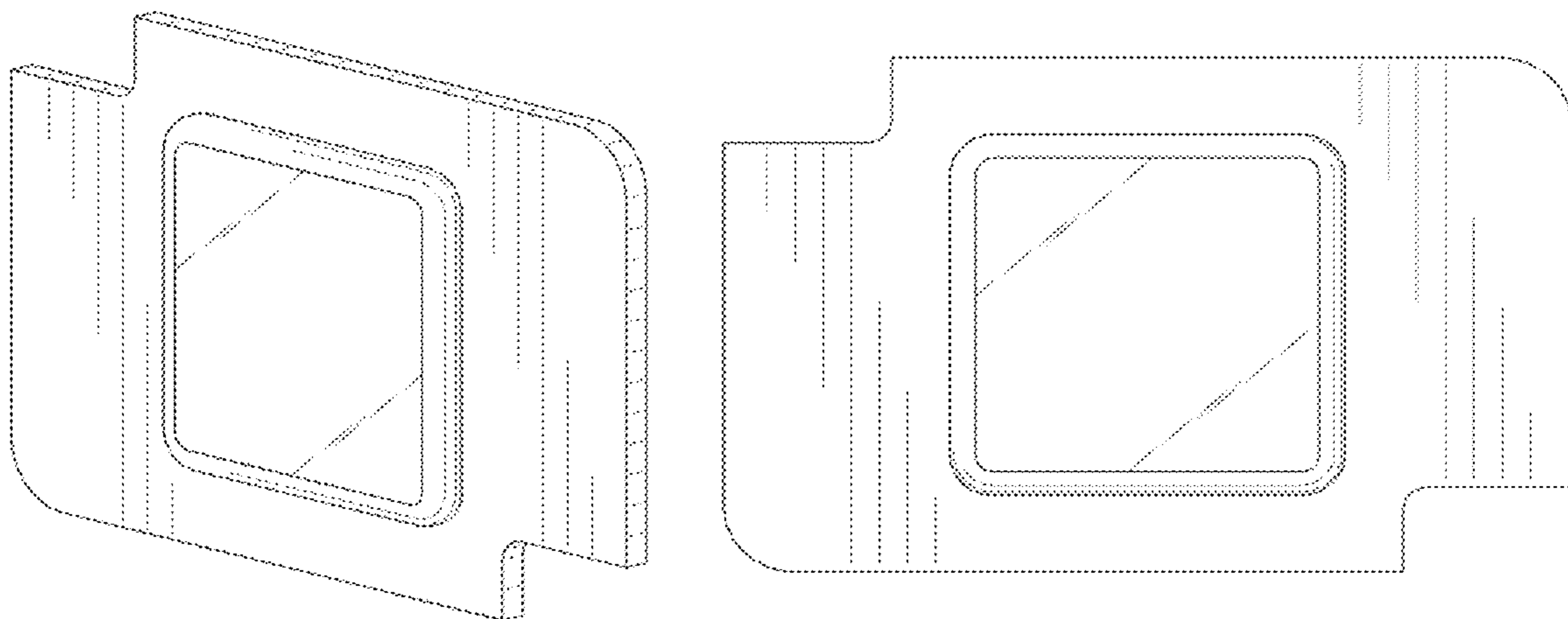
FIG. 4 is a left side view thereof;

FIG. 5 is a right side view thereof;

FIG. 6 is a top view thereof; and,

FIG. 7 is a bottom view thereof.

1 Claim, 5 Drawing Sheets



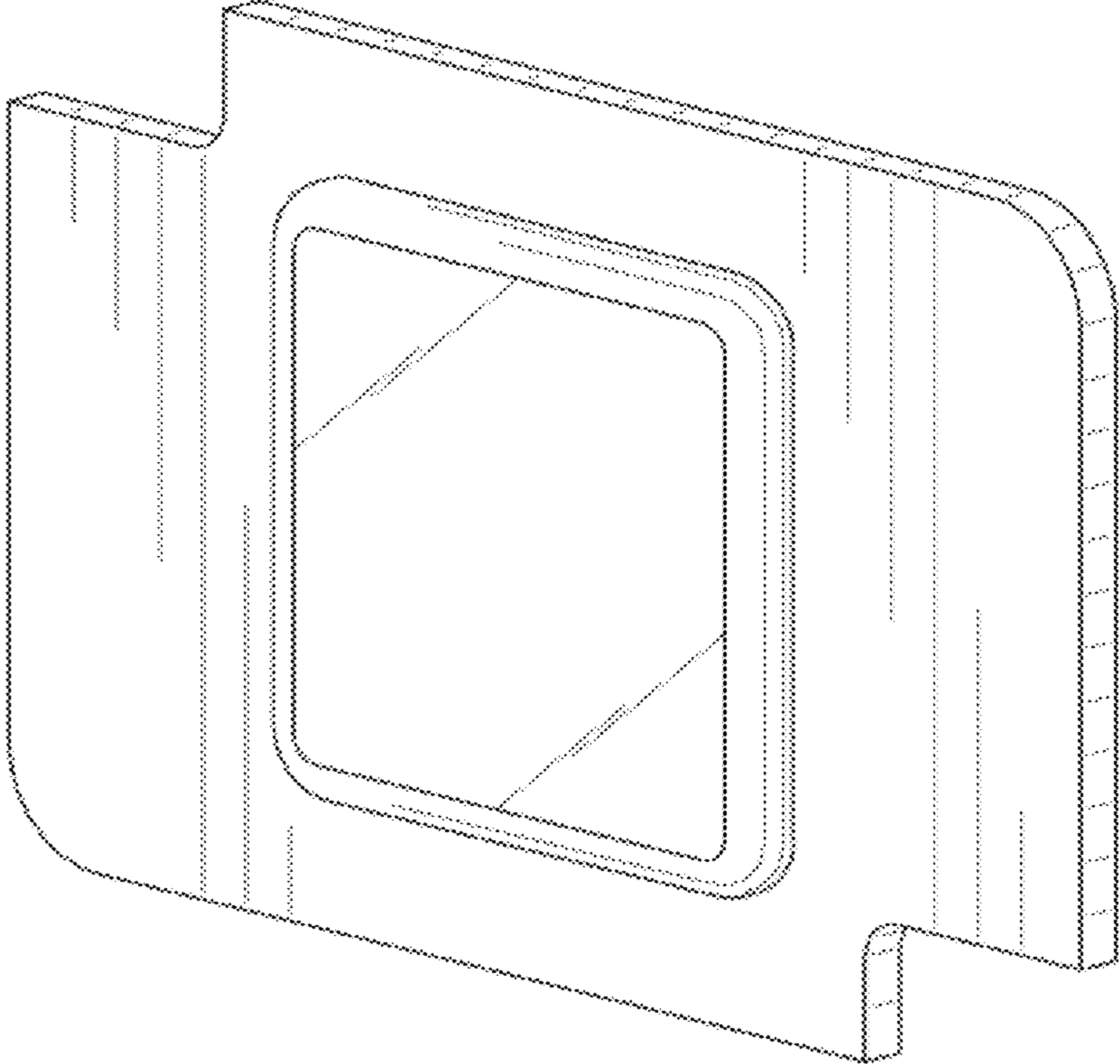


FIG. 1

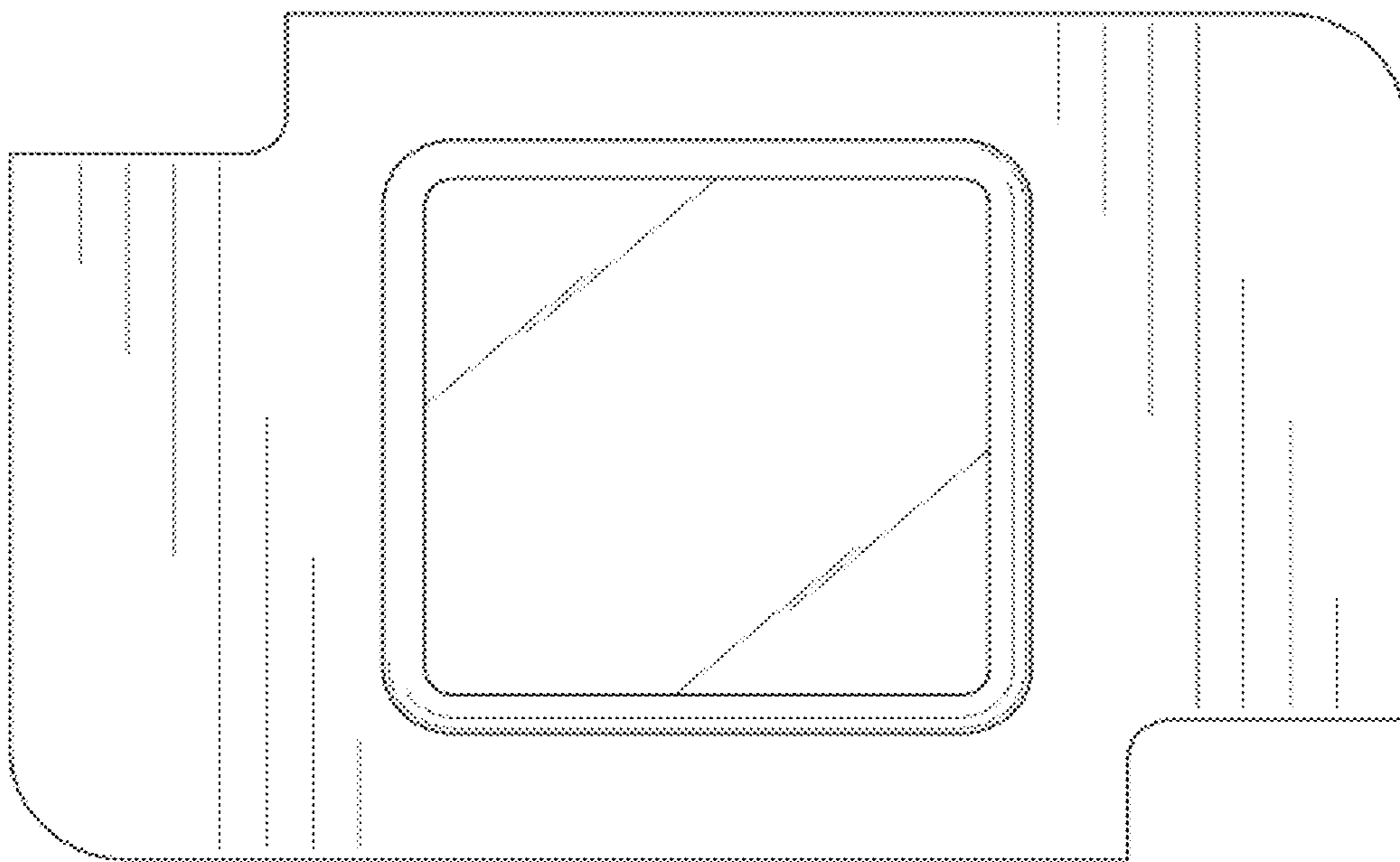


FIG. 2

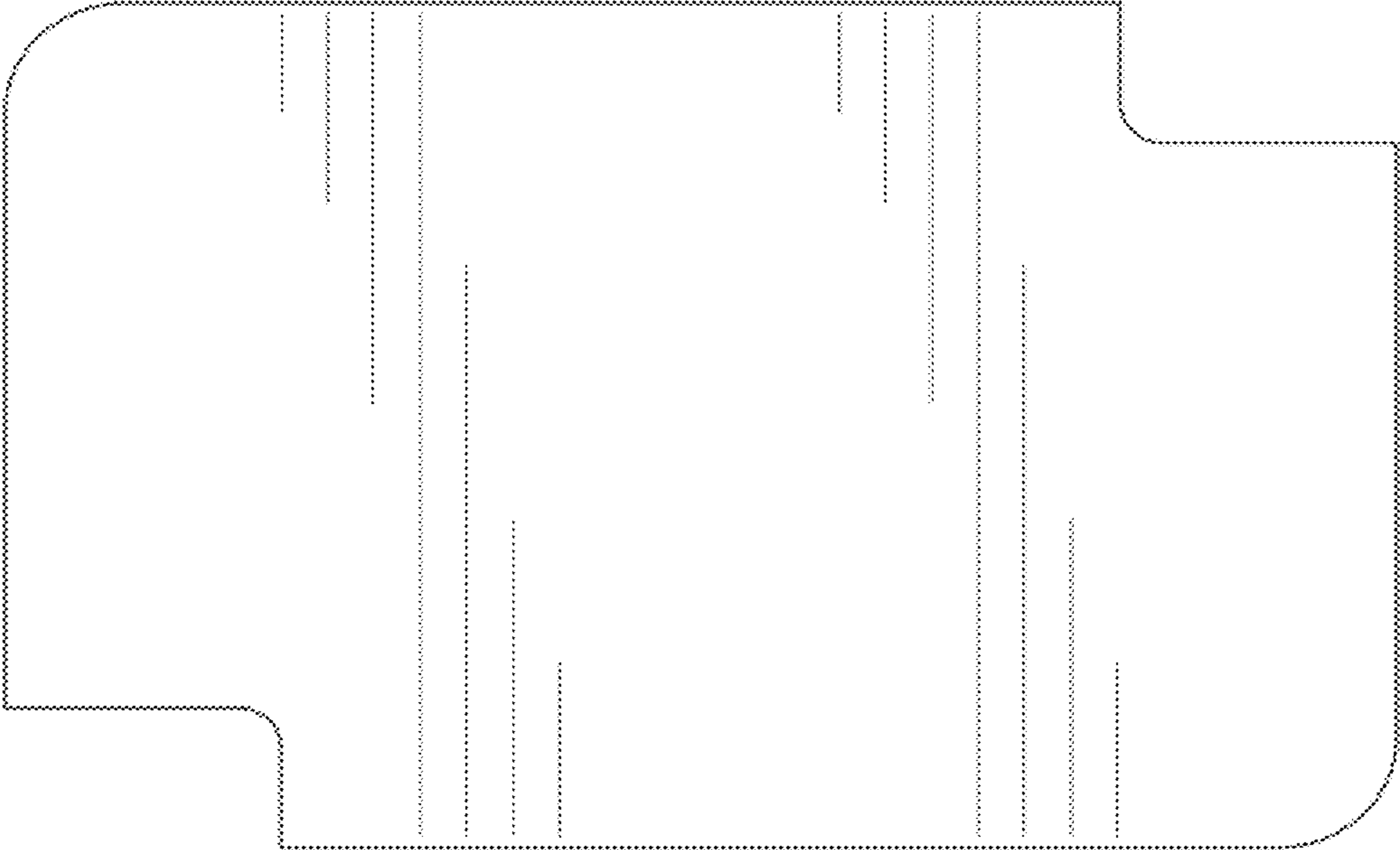


FIG. 3

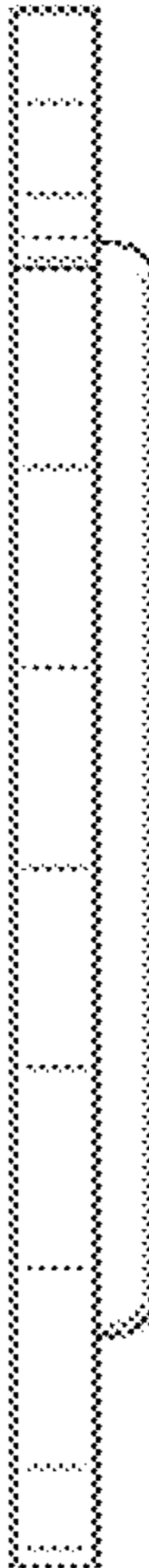


FIG. 4

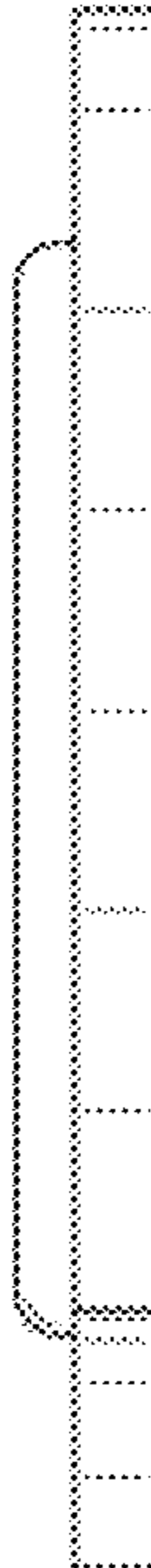


FIG. 5

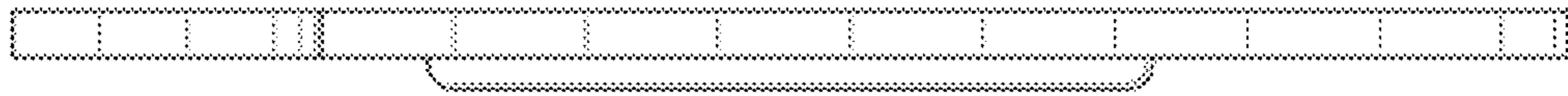


FIG. 6



FIG. 7