



US00D658599S

(12) **United States Design Patent**
Takahashi et al.

(10) **Patent No.:** **US D658,599 S**
(45) **Date of Patent:** **** May 1, 2012**

(54) **LIGHT EMITTING DIODE MODULE**

(75) Inventors: **Akimichi Takahashi**, Kanagawa (JP);
Kiyoshi Nishimura, Kanagawa (JP);
Akiko Saito, Kanagawa (JP); **Masahiro**
Izumi, Kanagawa (JP); **Soichi**
Shibusawa, Kanagawa (JP); **Nobuhiko**
Betsuda, Kanagawa (JP)

(73) Assignee: **Toshiba Lighting & Technology**
Corporation, Kanagawa (JP)

(**) Term: **14 Years**

(21) Appl. No.: **29/369,474**

(22) Filed: **Sep. 9, 2010**

(30) **Foreign Application Priority Data**

Mar. 26, 2010 (JP) 2010-007464

(51) **LOC (9) Cl.** **13-03**

(52) **U.S. Cl.** **D13/180; D26/1; D26/113**

(58) **Field of Classification Search** D26/1-5,
D26/120, 113; 313/483, 498, 500, 313, 315,
313/316, 317; 257/79-81, 88-89, 95, 98-100,
257/E33.058; 362/555, 800, 183, 382, 256,
362/309; D13/180, 182; D6/300, 308, 309
See application file for complete search history.

(56) **References Cited**

U.S. PATENT DOCUMENTS

3,254,927	A *	6/1966	Harvey	312/9.9
D354,627	S *	1/1995	Rowan	D6/300
5,647,661	A *	7/1997	Gordin	362/283
6,220,722	B1 *	4/2001	Begemann	362/231
D468,037	S *	12/2002	Jarvis	D26/37
6,499,860	B2 *	12/2002	Begemann	362/230

D481,484	S *	10/2003	Cuevas et al.	D26/84
D508,291	S *	8/2005	Janssen	D26/1
D511,850	S *	11/2005	Huang	D26/28
7,011,432	B2 *	3/2006	Chen et al.	362/256
D555,114	S *	11/2007	Yen	D13/180
D556,703	S *	12/2007	Suenaga	D13/180
7,755,605	B2 *	7/2010	Daniel et al.	345/156
D622,435	S *	8/2010	Recore et al.	D26/85
D624,884	S *	10/2010	Lai et al.	D13/180
7,862,415	B1 *	1/2011	Ghaly	463/9
D633,239	S *	2/2011	Chen	D26/41
D645,008	S *	9/2011	Shan et al.	D13/180
8,109,657	B2 *	2/2012	Huang et al.	362/294
2007/0247439	A1 *	10/2007	Daniel et al.	345/173
2010/0084984	A1 *	4/2010	Leon Rovira et al.	315/210
2010/0085742	A1 *	4/2010	Ip	362/183
2010/0148193	A1 *	6/2010	Duong et al.	257/88
2010/0165627	A1 *	7/2010	Wung et al.	362/249.02
2010/0200887	A1 *	8/2010	Urano et al.	257/98
2012/0008312	A1 *	1/2012	Lee	362/183

* cited by examiner

Primary Examiner — Jeffrey D Asch

(74) *Attorney, Agent, or Firm* — J.C. Patents

(57) **CLAIM**

The ornamental design for a light emitting diode module, as shown.

DESCRIPTION

FIG. 1 is a perspective view of a light emitting diode module showing our new design.

FIG. 2 is a front view thereof.

FIG. 3 is a rear view thereof.

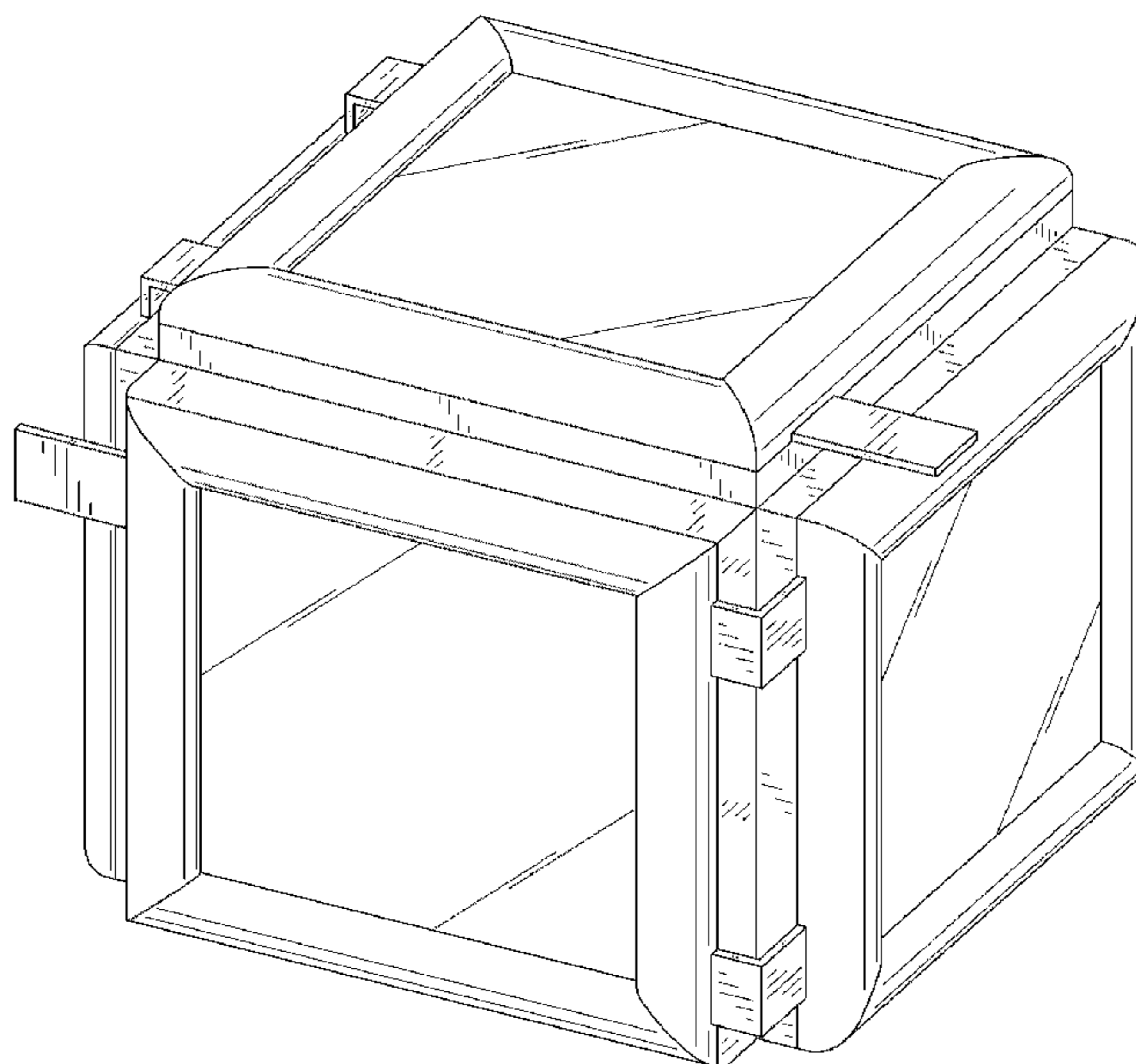
FIG. 4 is a left side view thereof.

FIG. 5 is a right side view thereof.

FIG. 6 is a top view thereof; and,

FIG. 7 is a bottom view thereof.

1 Claim, 7 Drawing Sheets



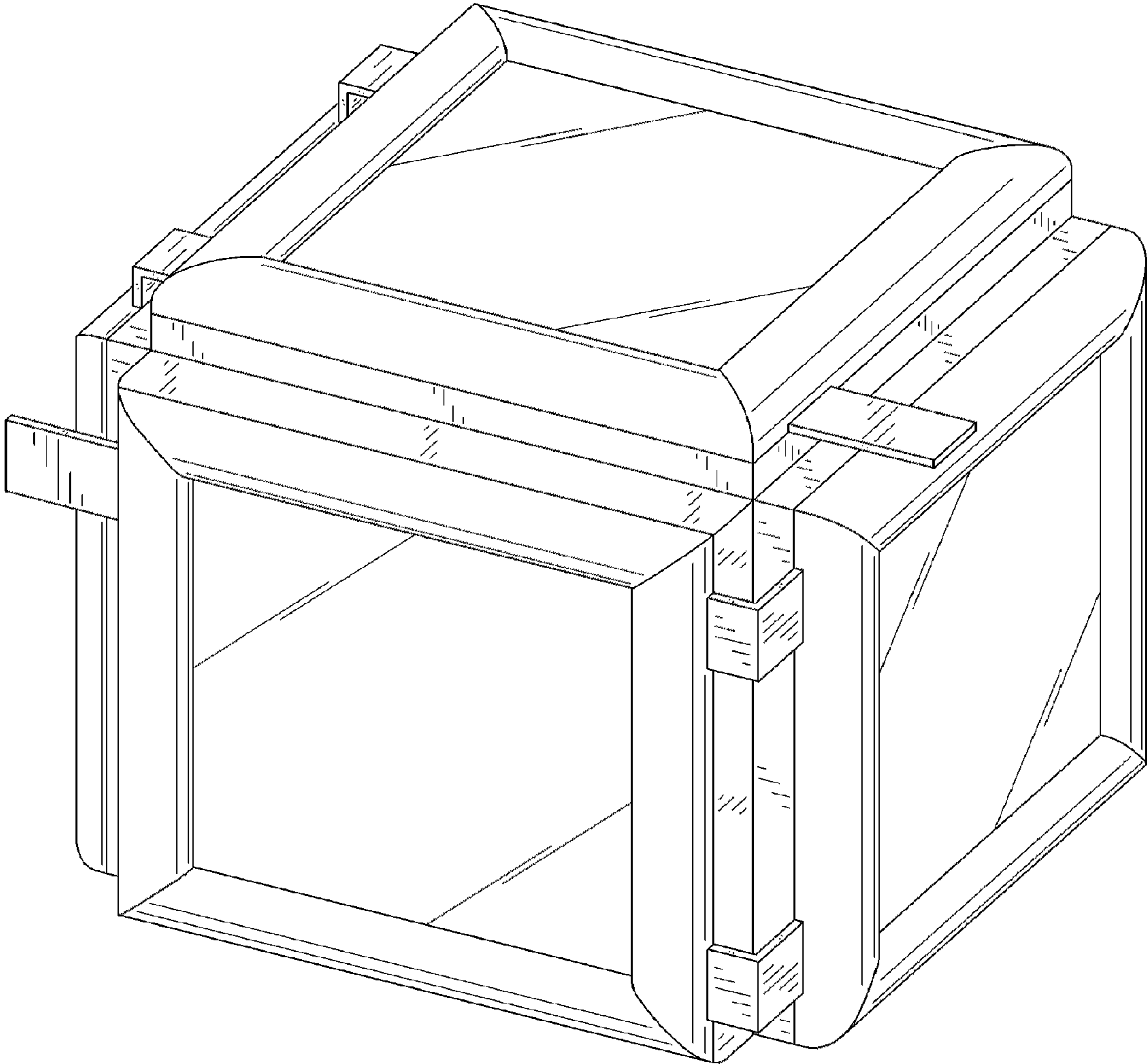


FIG. 1

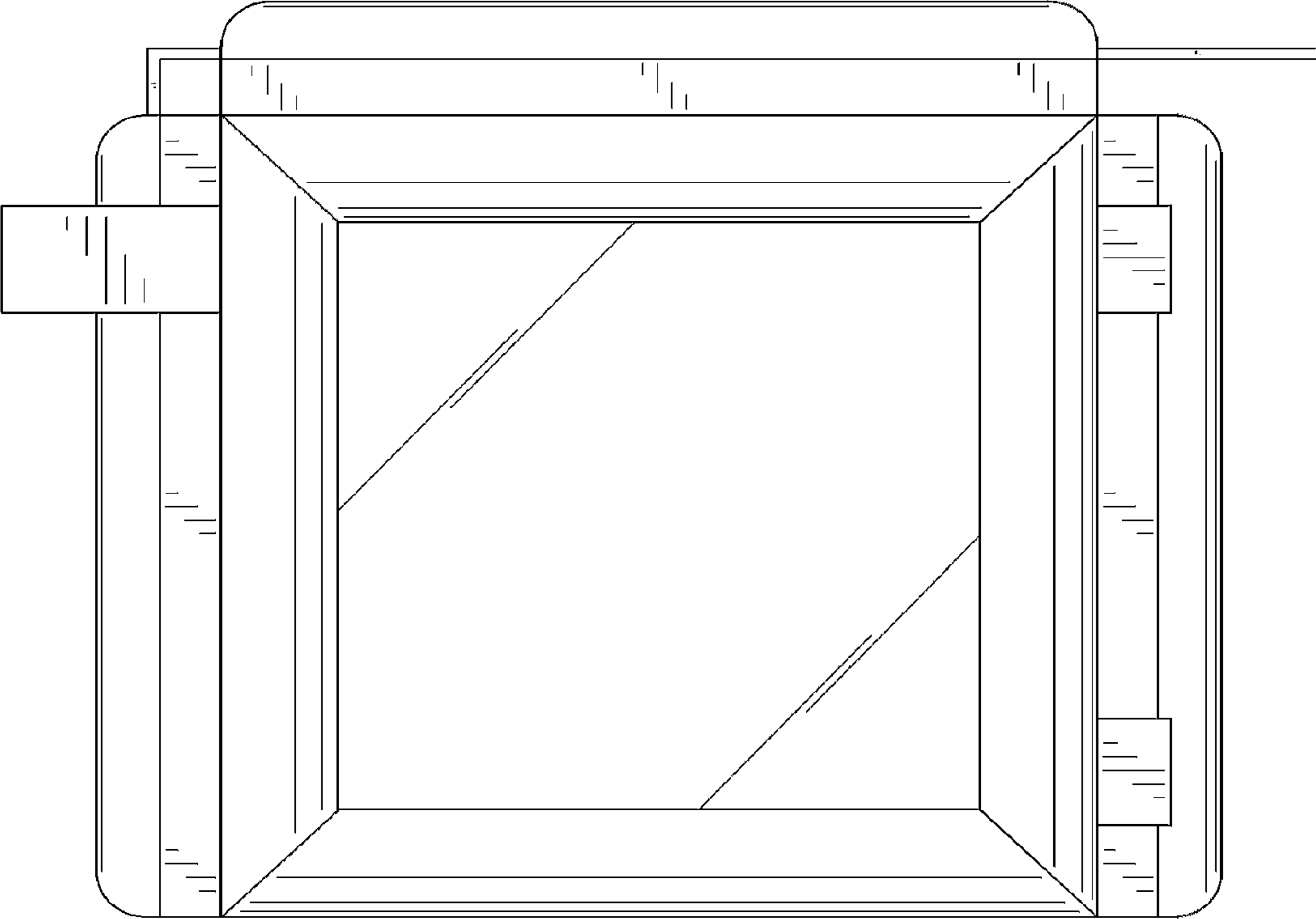


FIG. 2

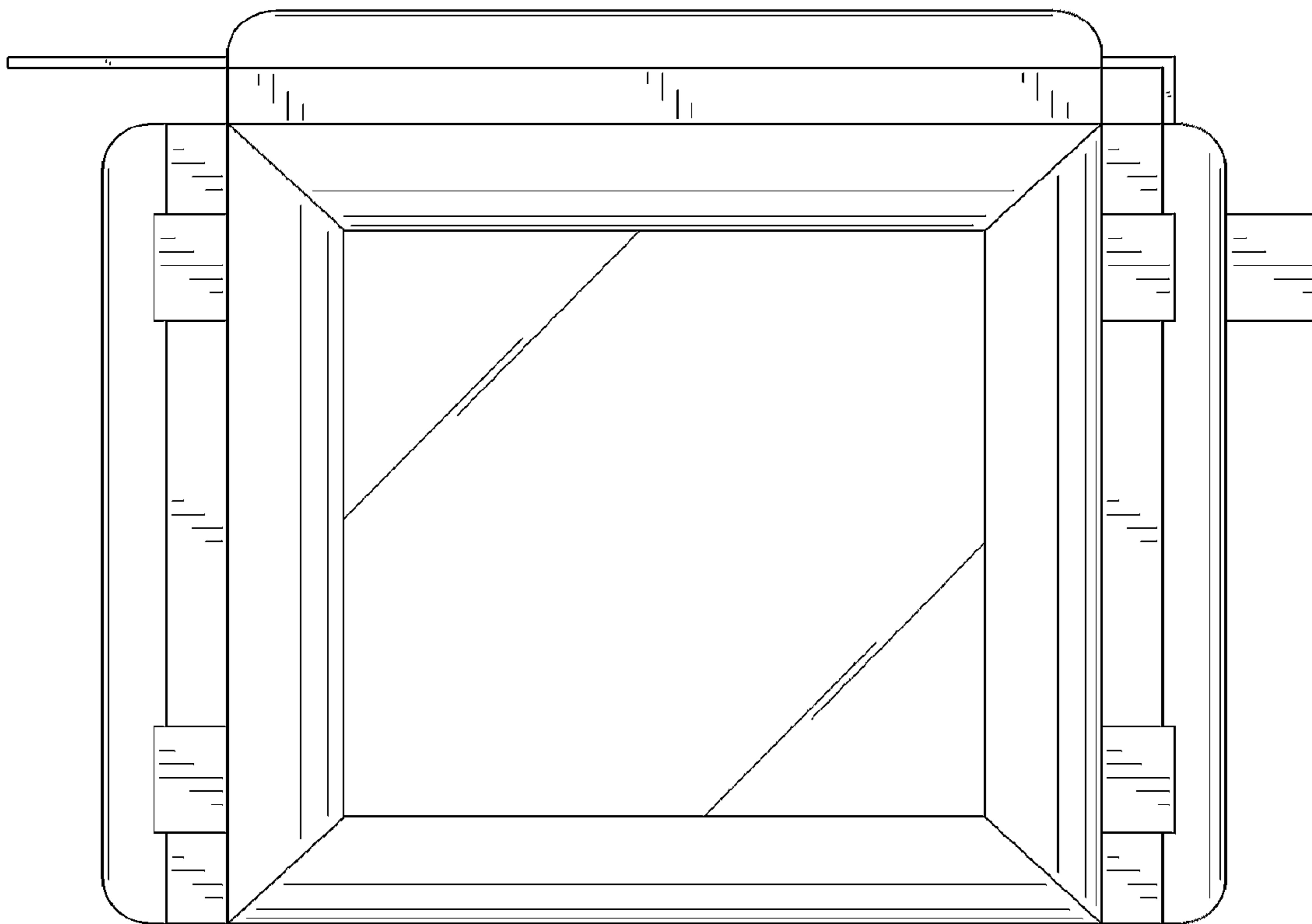


FIG. 3

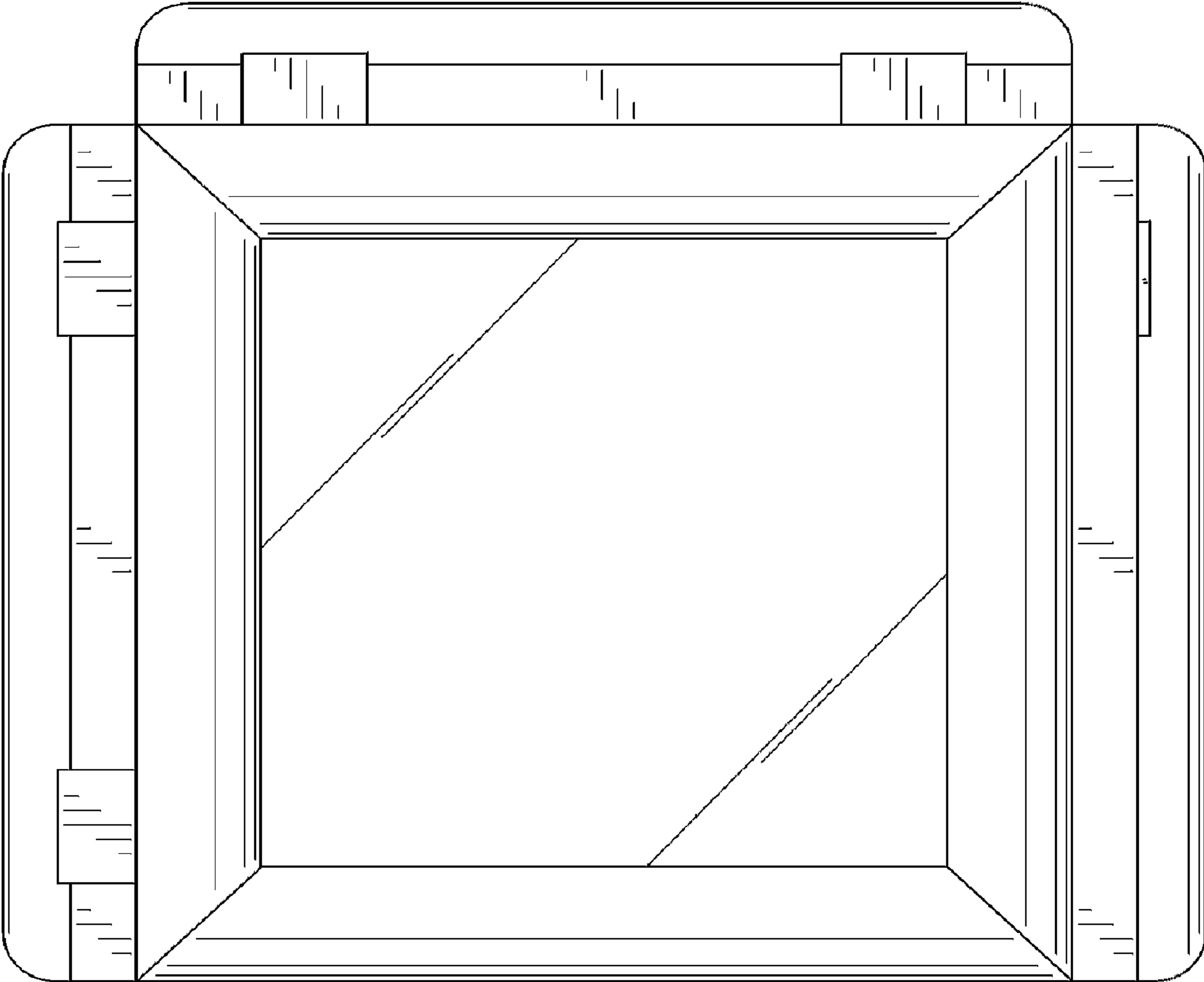


FIG. 4

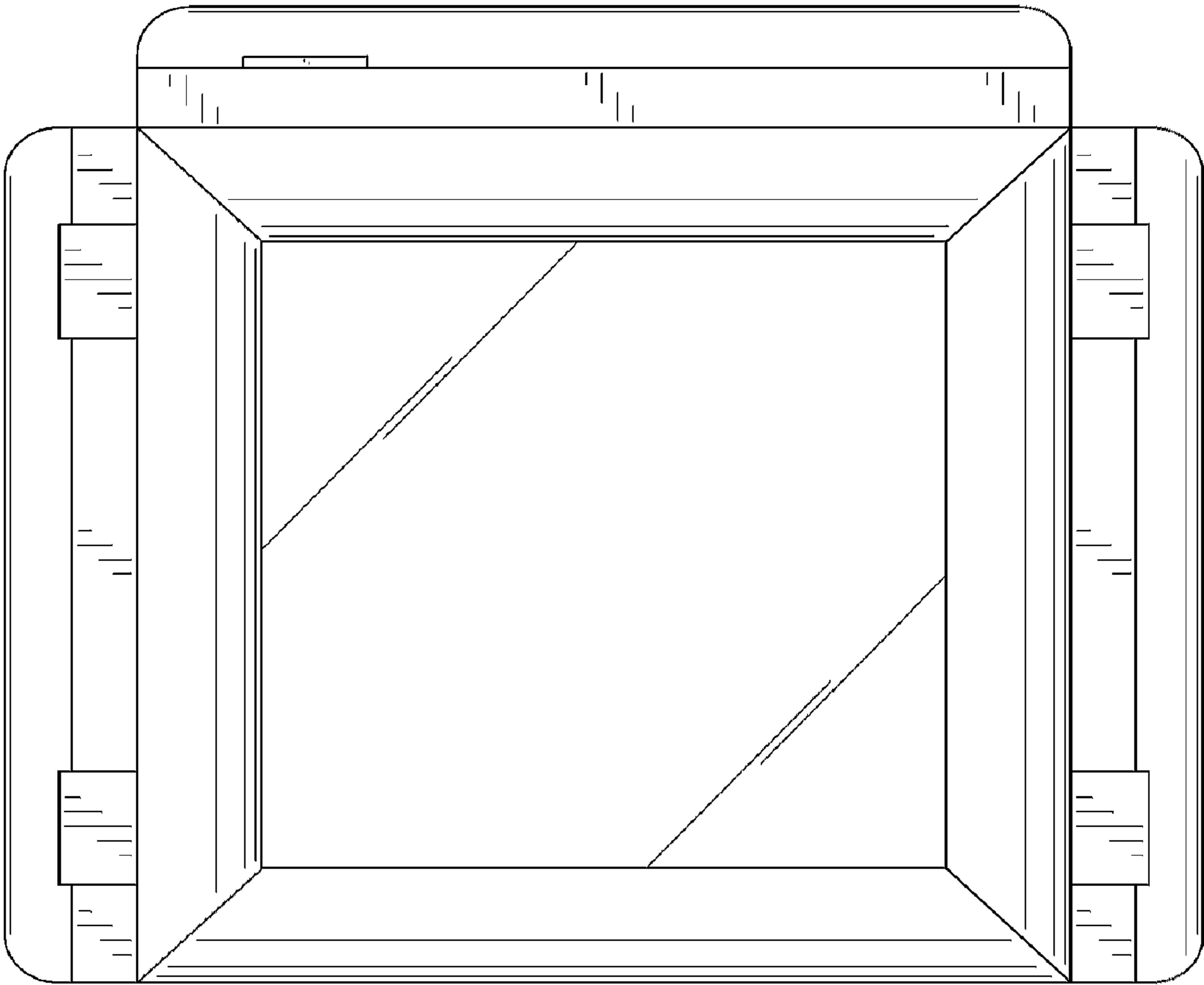


FIG. 5

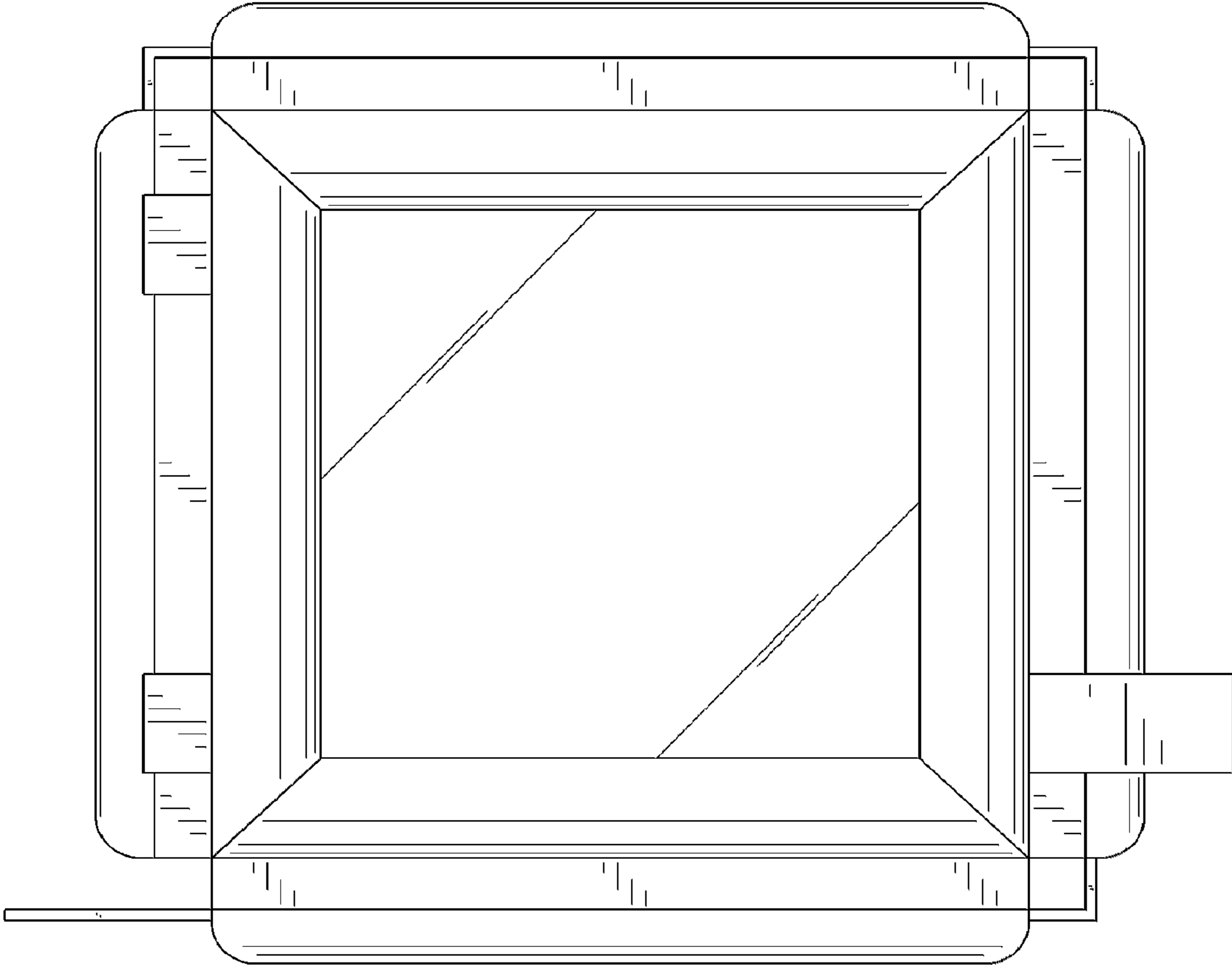


FIG. 6

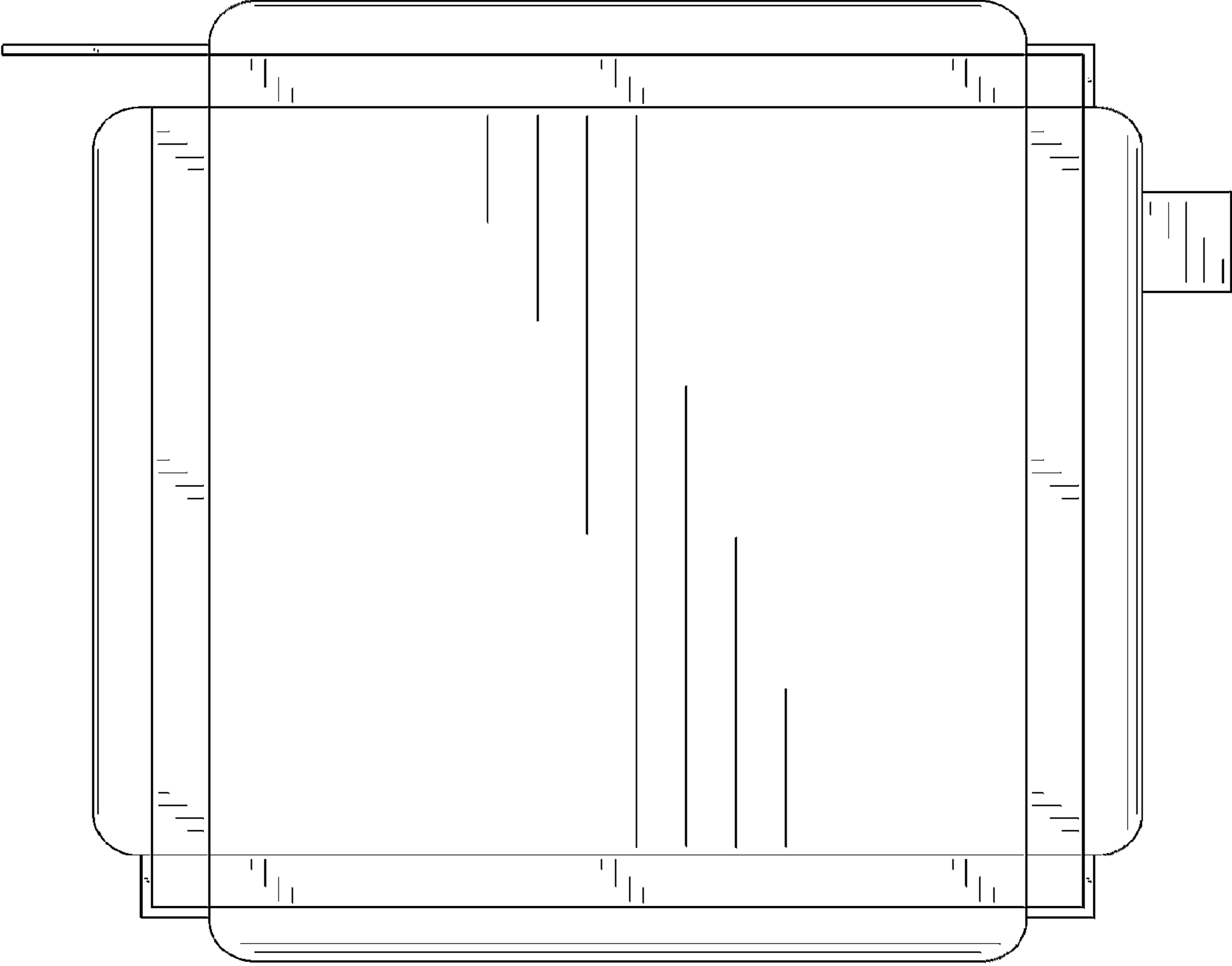


FIG. 7