



US00D658597S

(12) **United States Design Patent**
Kuwae et al.

(10) **Patent No.:** **US D658,597 S**
(45) **Date of Patent:** **** May 1, 2012**

(54) **COMBINED SWITCH FOR WORKING MACHINE**

(75) Inventors: **Junta Kuwae, Sakai (JP); Masatoshi Watanabe, Sakai (JP)**

(73) Assignee: **Kubota Corporation, Osaka (JP)**

(**) Term: **14 Years**

(21) Appl. No.: **29/387,099**

(22) Filed: **Mar. 9, 2011**

(30) **Foreign Application Priority Data**

Dec. 2, 2010 (JP) 2010-028805

(51) **LOC (9) Cl.** **13-03**

(52) **U.S. Cl.** **D13/169**

(58) **Field of Classification Search** D13/169,
D13/170, 174; 200/5 R, 5 A, 302.2, 520,
200/530, 293, 564, 568, 296, 308, 310, 314,
200/316, 329, 336, 341; 307/139, 157; 315/209 R,
315/224, 246, 291, 294, 295

See application file for complete search history.

(56) **References Cited**

U.S. PATENT DOCUMENTS

4,532,387 A * 7/1985 Pliml, Jr. 200/11 R
4,797,520 A * 1/1989 Spazierer et al. 200/295
5,183,982 A * 2/1993 Smith et al. 200/61.85
5,634,553 A * 6/1997 Hopper et al. 200/336
6,348,772 B1 * 2/2002 May 318/430
6,365,855 B1 * 4/2002 Sutter et al. 200/314
6,423,912 B1 * 7/2002 Arenz et al. 200/43.08
6,590,169 B2 * 7/2003 Martinez 200/17 R

6,812,419 B2 * 11/2004 Fukui et al. 200/332.2
6,894,242 B2 * 5/2005 Muller et al. 200/568
6,953,900 B2 * 10/2005 Sottong 200/5 R
7,059,735 B2 * 6/2006 Orikasa 362/23
7,297,889 B2 * 11/2007 Bornhorst et al. 200/336
7,307,232 B2 * 12/2007 Altmann et al. 200/564
7,368,675 B2 * 5/2008 Ishido et al. 200/331
7,514,645 B2 * 4/2009 Shahmuradyan 200/564
7,605,334 B2 * 10/2009 Naganuma et al. 200/11 A
7,739,978 B2 * 6/2010 Beckman et al. 116/277
2006/0266634 A1 * 11/2006 Shahmuradyan 200/564
2010/0032278 A1 * 2/2010 Lin 200/564
2010/0307896 A1 * 12/2010 Nogami 200/293

FOREIGN PATENT DOCUMENTS

JP 945151 S 1/1996

* cited by examiner

Primary Examiner — Selina Sikder

(74) *Attorney, Agent, or Firm* — The Webb Law Firm

(57) **CLAIM**

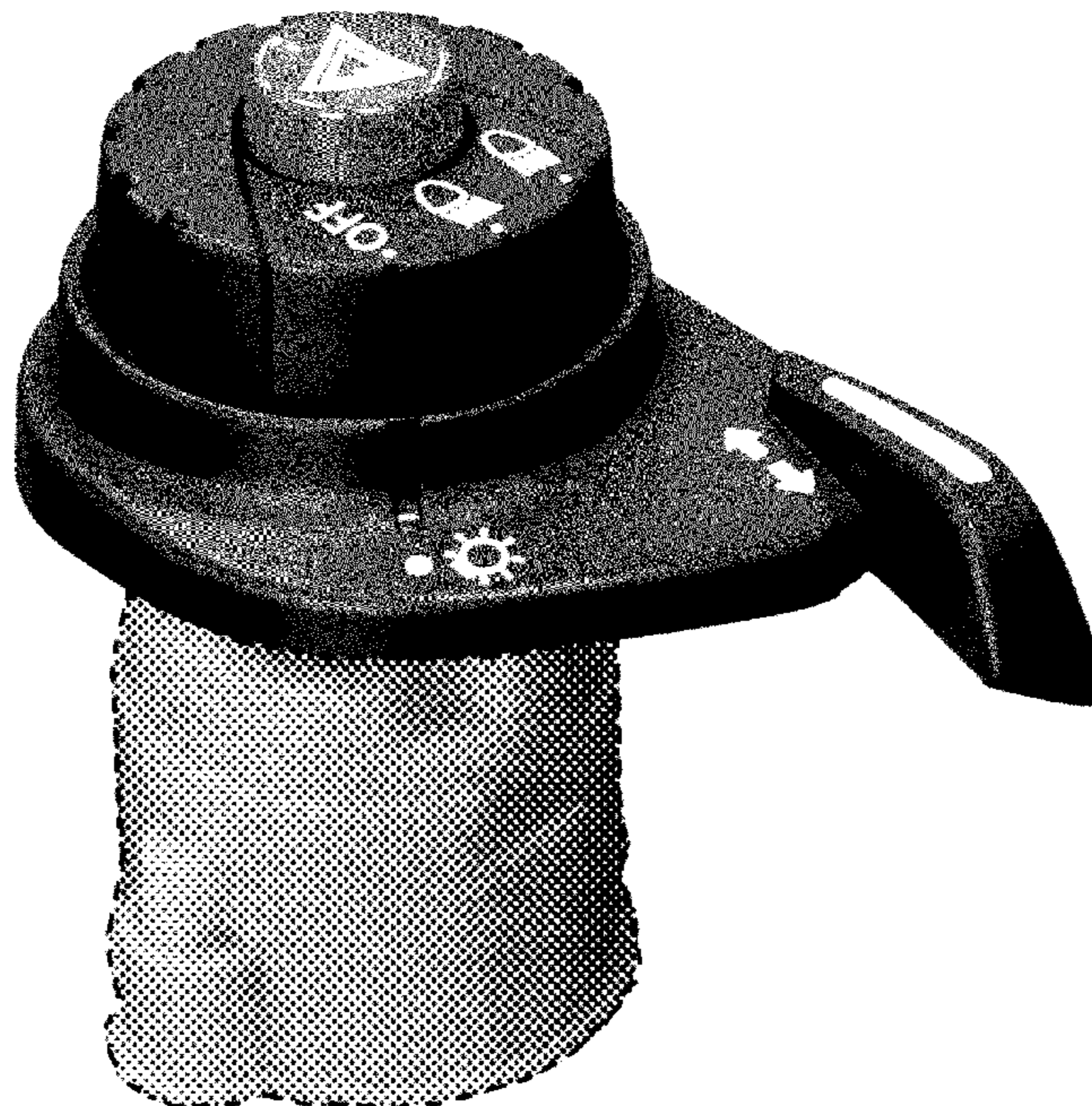
The ornamental design for a combined switch for working machine, as shown and described.

DESCRIPTION

FIG. 1 is a front side view of a combined switch for working machine showing our new design;
FIG. 2 is a left side view thereof;
FIG. 3 is a right side view thereof;
FIG. 4 is a top plan view thereof;
FIG. 5 is a bottom view thereof; and,
FIG. 6 is a perspective view thereof.

The portions illustrated in FIGS. 2-6 shown in coarse dot pattern and outlined in dashed lines illustrate portions of the switch that form no part of the claimed design.

1 Claim, 6 Drawing Sheets



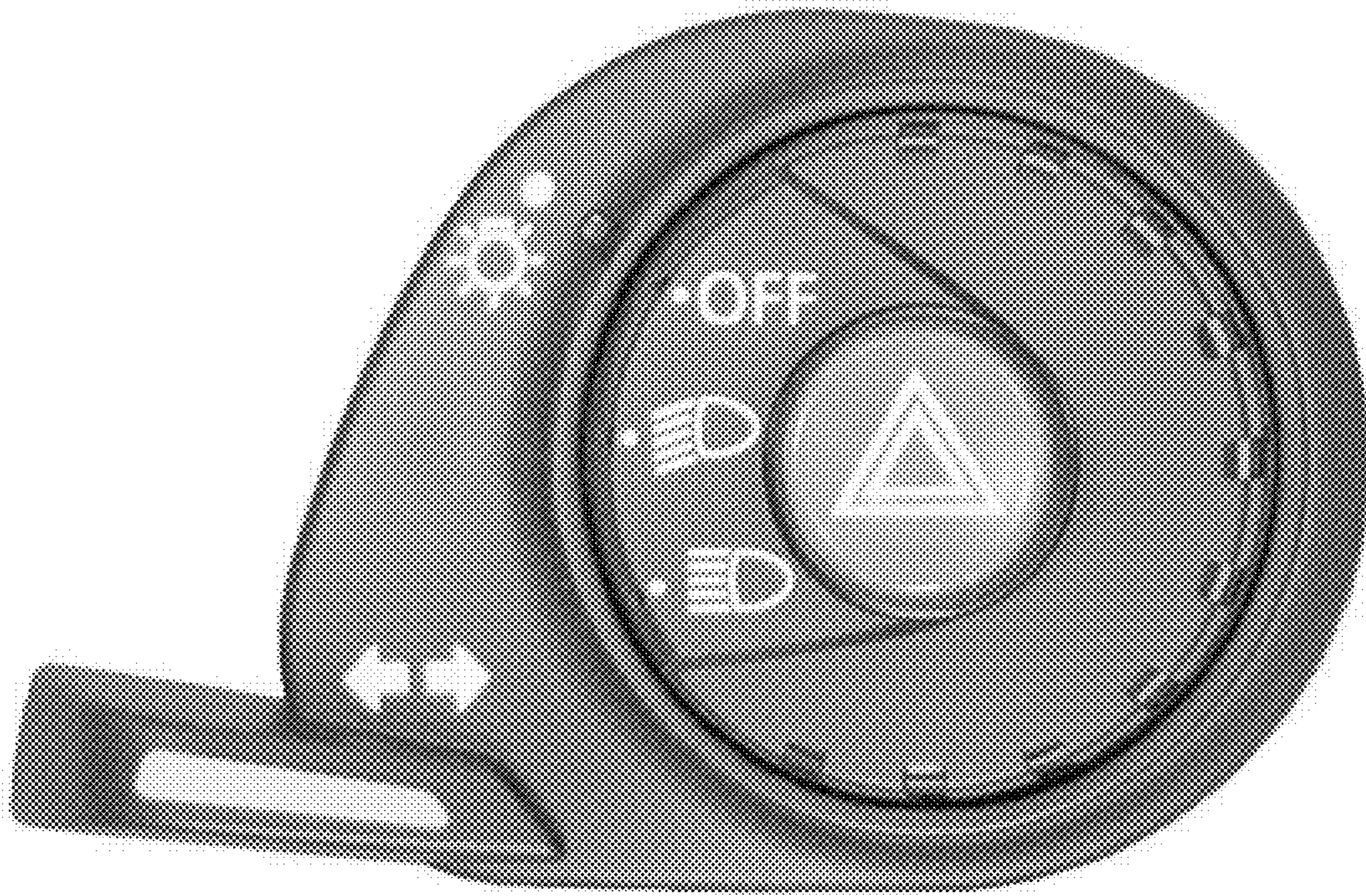


FIG. 1

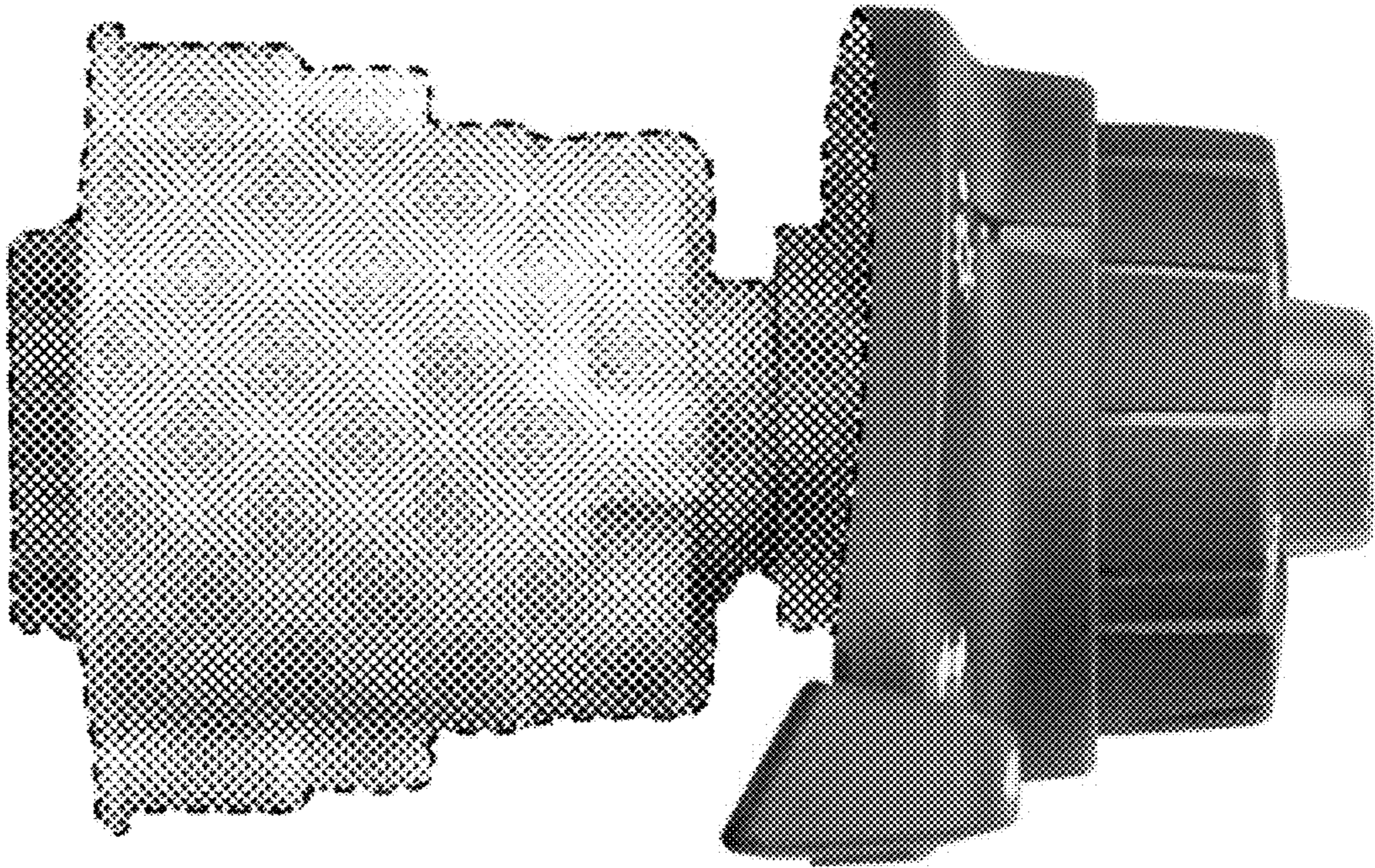


FIG. 2

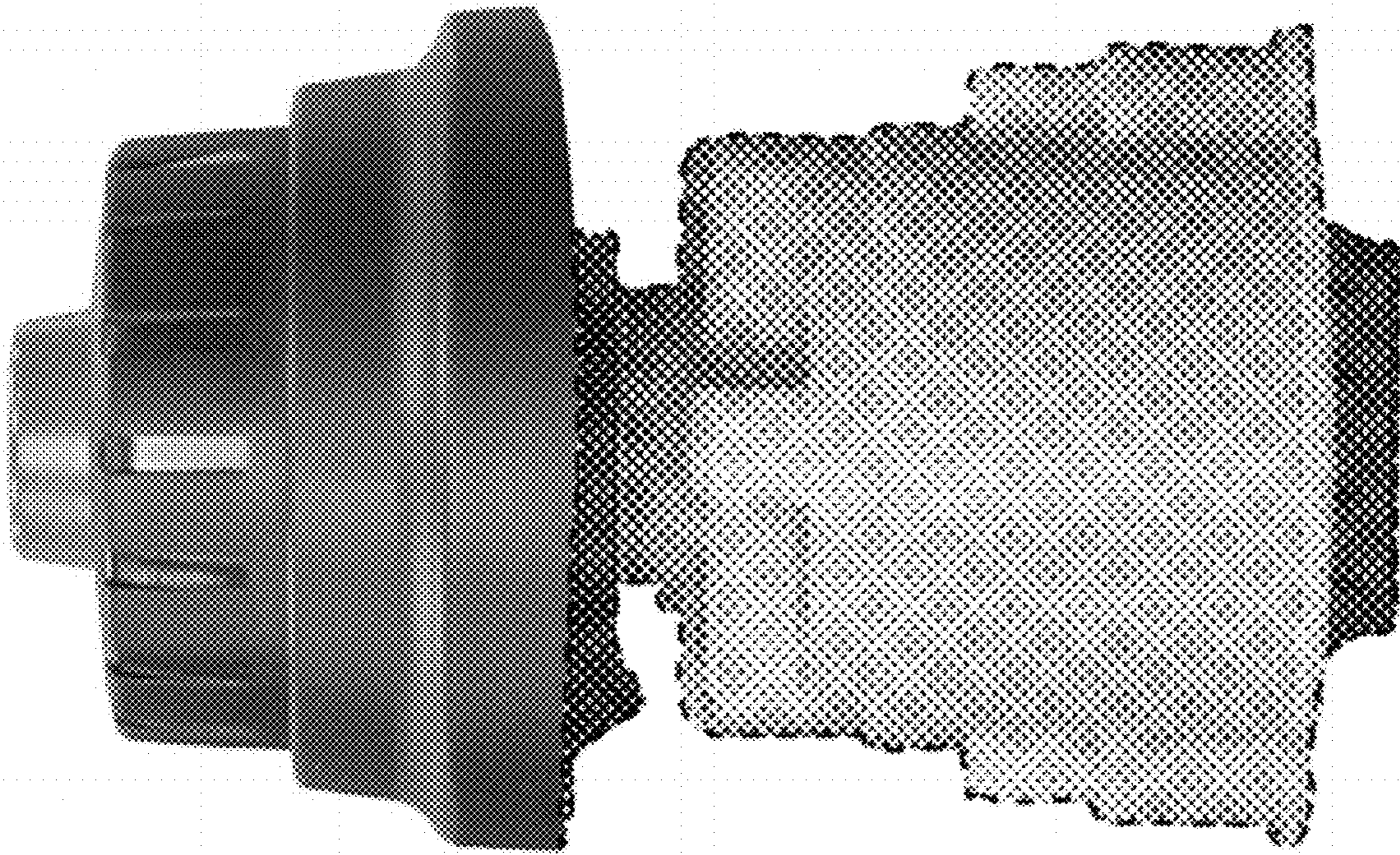


FIG. 3

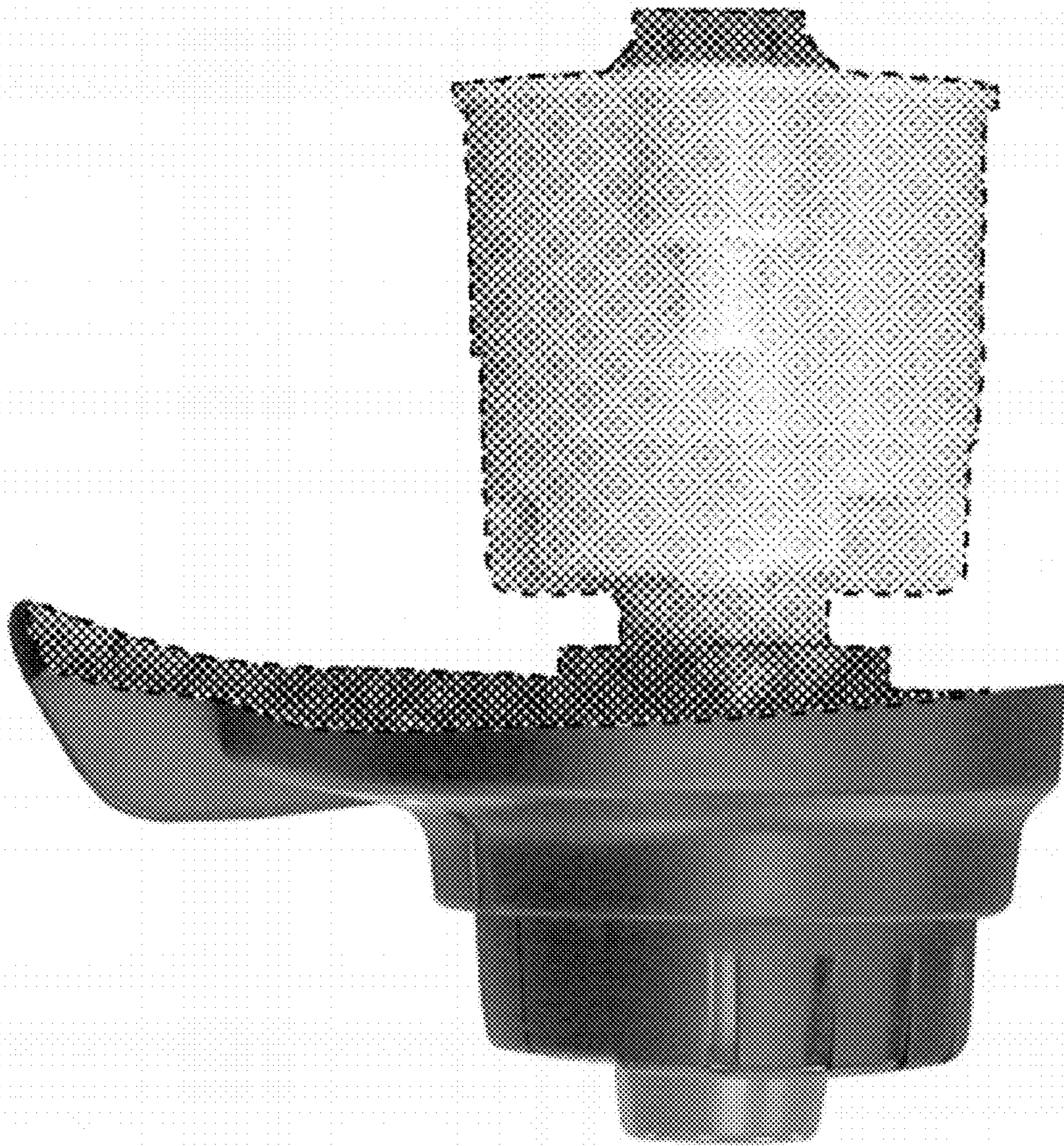


FIG. 4

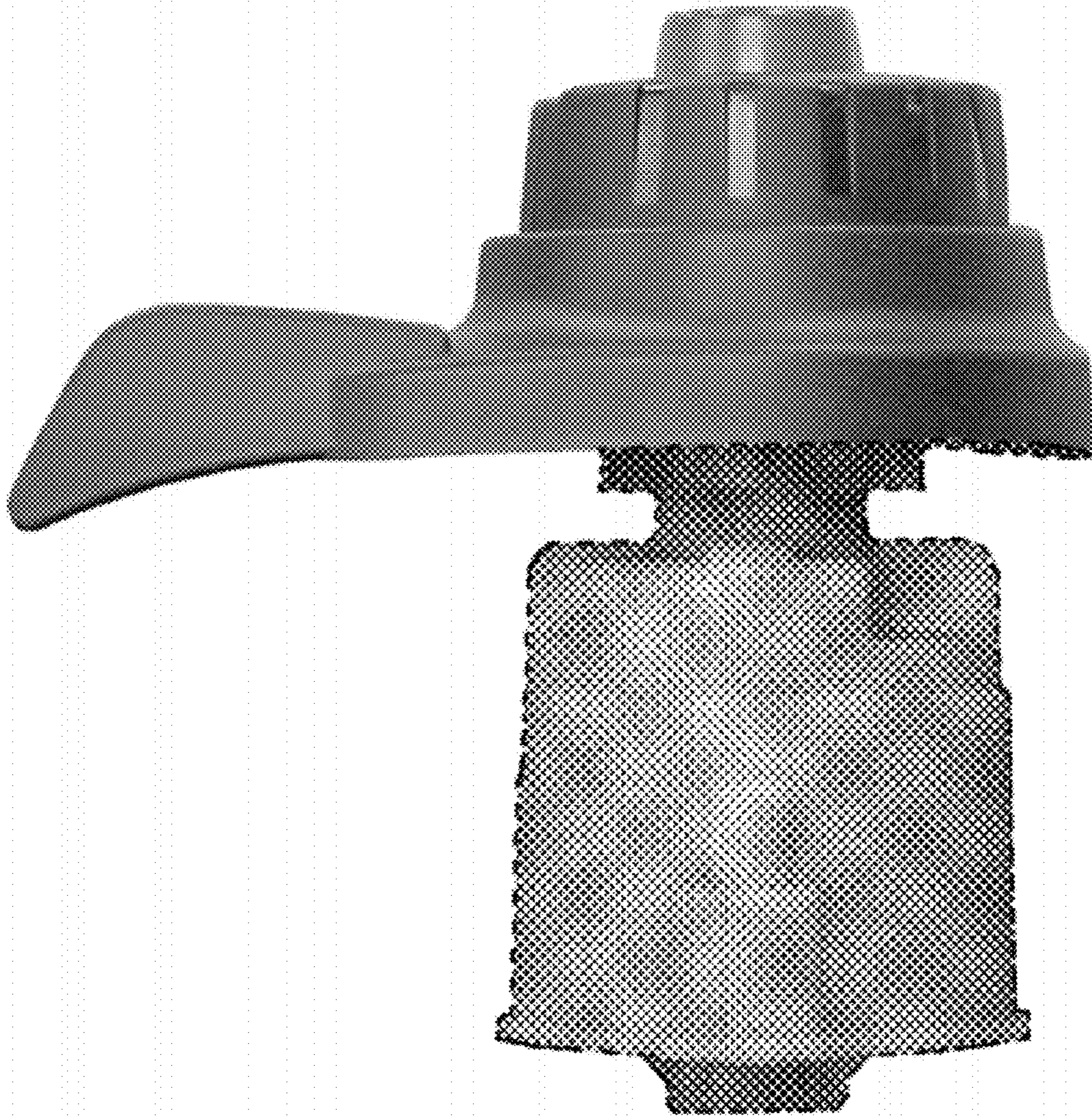


FIG. 5



FIG. 6