



US00D658596S

(12) **United States Design Patent**
Harada et al.

(10) **Patent No.:** **US D658,596 S**

(45) **Date of Patent:** **** May 1, 2012**

(54) **ROCKER SWITCH**

(75) Inventors: **Atsushi Harada**, Kawagoe (JP); **Koki Kamagome**, Kawagoe (JP); **Kiyotsugu Arai**, Fujioka (JP)

(73) Assignees: **Husqvarna Zenoah Co., Ltd.** (JP); **Nittei Musen Co., Ltd.** (JP)

(**) Term: **14 Years**

(21) Appl. No.: **29/378,529**

(22) Filed: **Nov. 5, 2010**

(30) **Foreign Application Priority Data**

May 26, 2010 (JP) 2010-012956

(51) **LOC (9) Cl.** **13-03**

(52) **U.S. Cl.** **D13/169**

(58) **Field of Classification Search** D13/162, D13/169, 170, 174; 200/5 R, 5 A, 553, 252, 200/293, 296, 308, 315, 329, 339; 307/139, 307/157; 315/209 R, 224, 246, 291, 295
See application file for complete search history.

(56) **References Cited**

U.S. PATENT DOCUMENTS

5,041,706	A *	8/1991	Osika et al.	200/296
5,107,082	A *	4/1992	Valenzona	200/292
5,660,270	A *	8/1997	Martin et al.	200/315
6,054,655	A *	4/2000	Rudolph et al.	200/16 R
6,576,855	B2 *	6/2003	Levendis et al.	200/339
6,621,025	B2 *	9/2003	Yei et al.	200/315
6,794,592	B1 *	9/2004	Liu et al.	200/302.3
6,940,029	B1 *	9/2005	Wang et al.	200/315
2002/0011404	A1 *	1/2002	Takeda et al.	200/339

2002/0104748	A1 *	8/2002	Levendis et al.	200/339
2008/0041707	A1 *	2/2008	Lee	200/339
2010/0258418	A1 *	10/2010	Yu	200/314

* cited by examiner

Primary Examiner — Selina Sikder

(74) *Attorney, Agent, or Firm* — Fish & Richardson P.C.

(57) **CLAIM**

The ornamental design for a rocker switch, as shown and described.

DESCRIPTION

FIG. 1 is a front perspective view of a rocker switch showing our new design;
 FIG. 2 is a rear perspective view thereof;
 FIG. 3 is a front view thereof, the rear view being a mirror image of FIG. 3;
 FIG. 4 is a top plan view thereof;
 FIG. 5 is a bottom plan view thereof;
 FIG. 6 is a right side view thereof;
 FIG. 7 is a left side view thereof;
 FIG. 8 is a cross-sectional view taken along line 8-8 in FIG. 3;
 FIG. 9 is a cross-sectional view taken along line 9-9 in FIG. 4;
 FIG. 10 is a front view in which the rocker button is switched, the rear view in which the rocker button is switched being a mirror image of FIG. 10; and,
 FIG. 11 is a right side view in which the rocker button is switched.
 The broken lines are shown for illustrated purposes only and form no part of the claimed design.

1 Claim, 11 Drawing Sheets

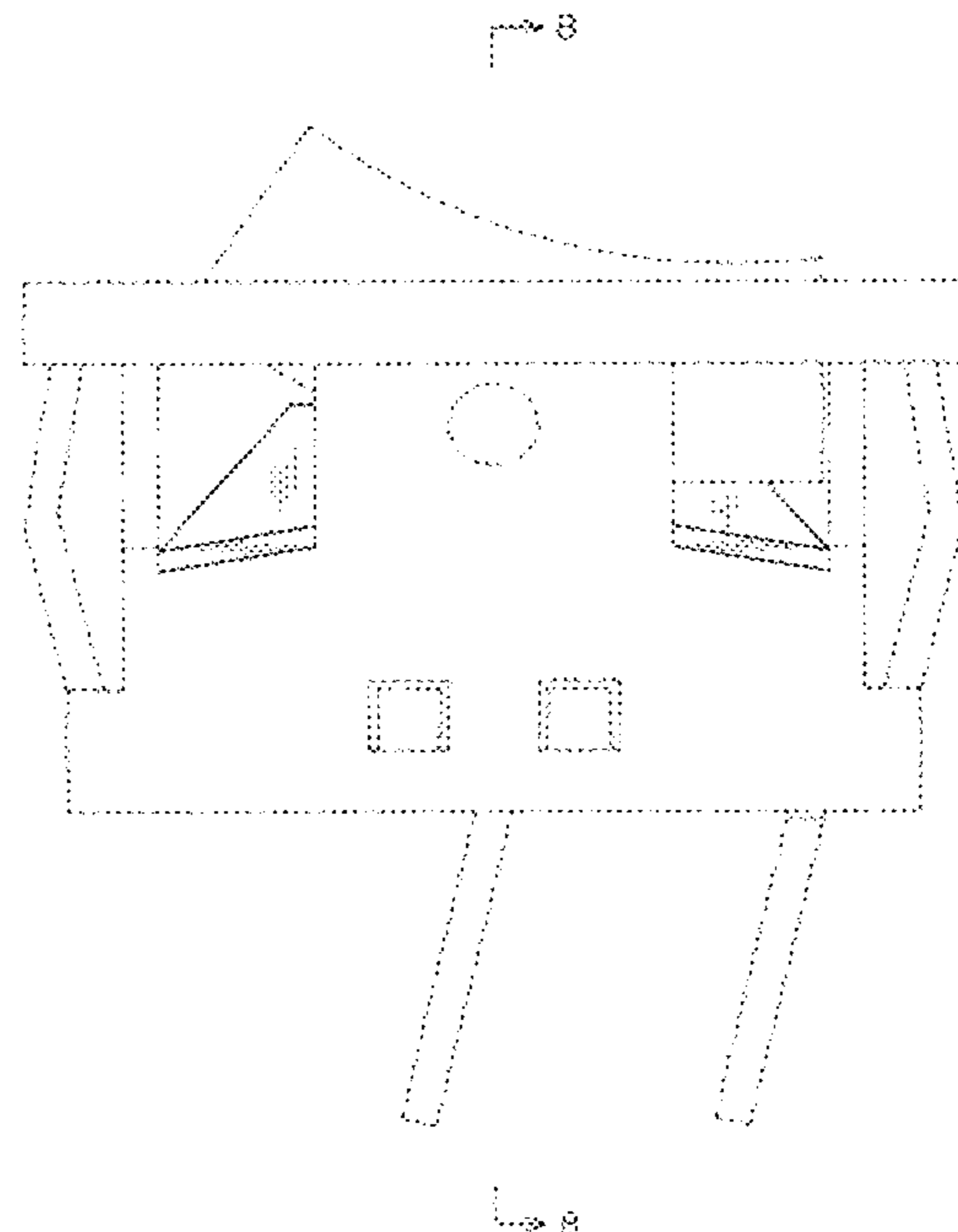
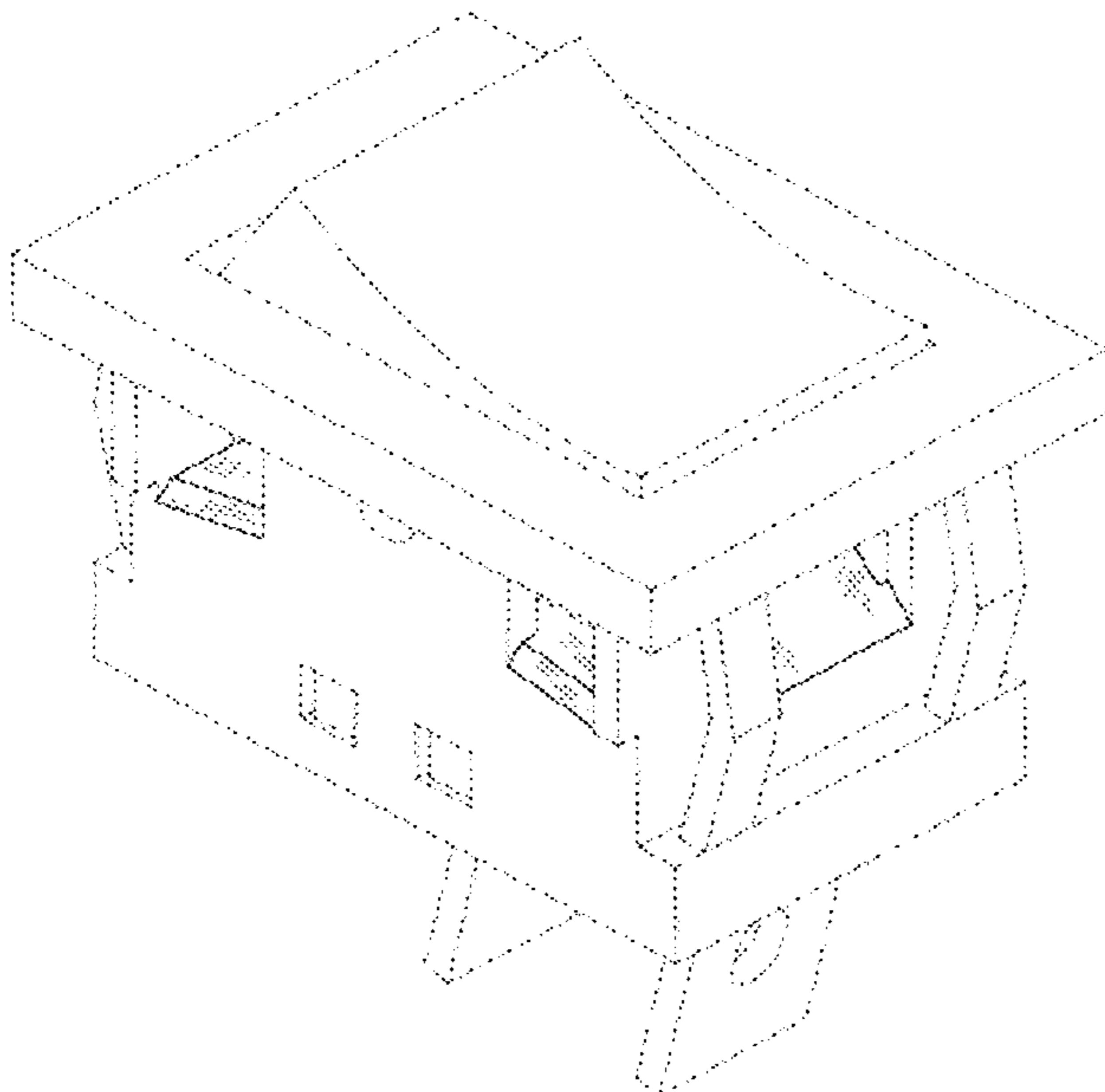


Fig. 1

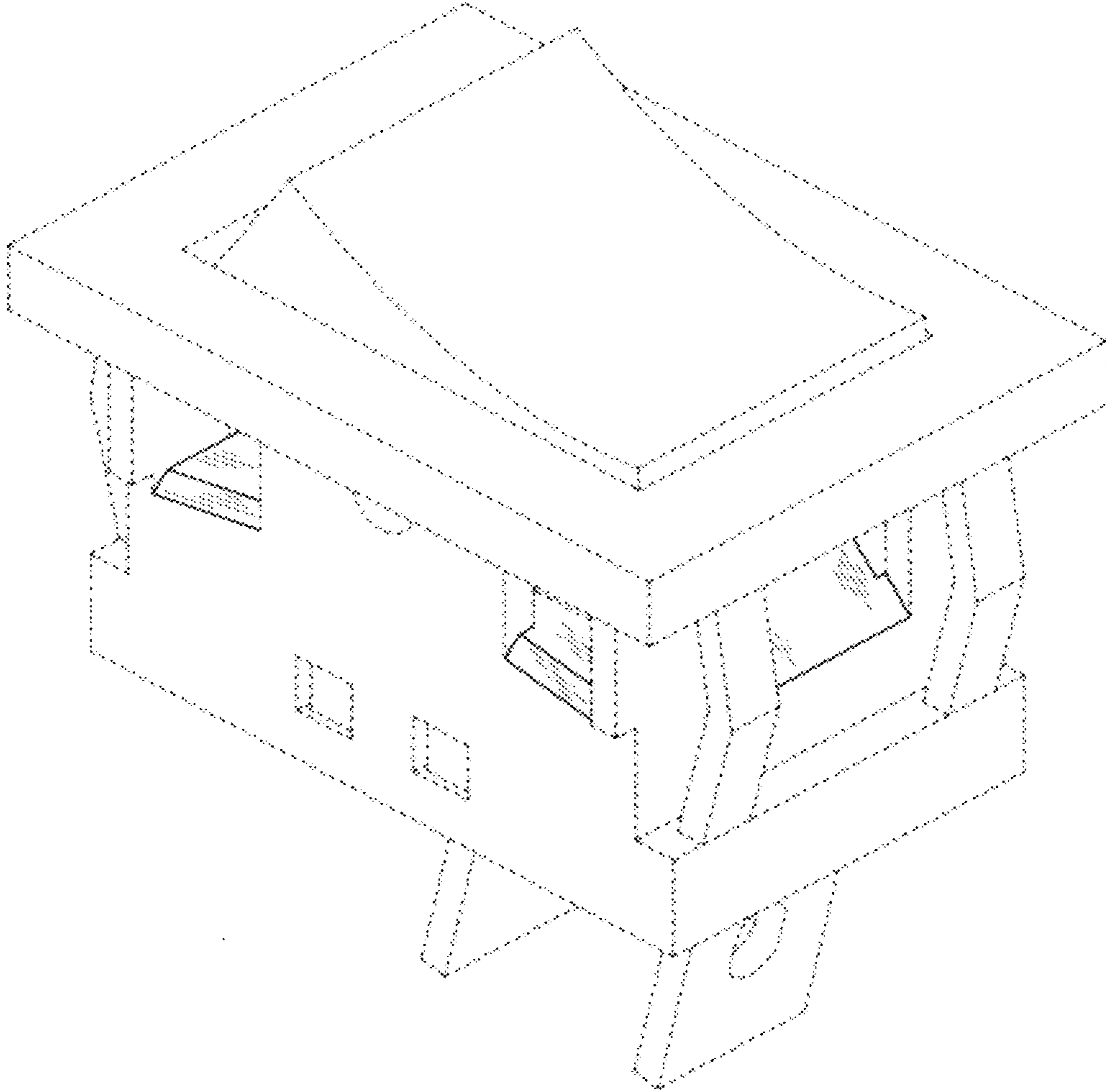


Fig. 2

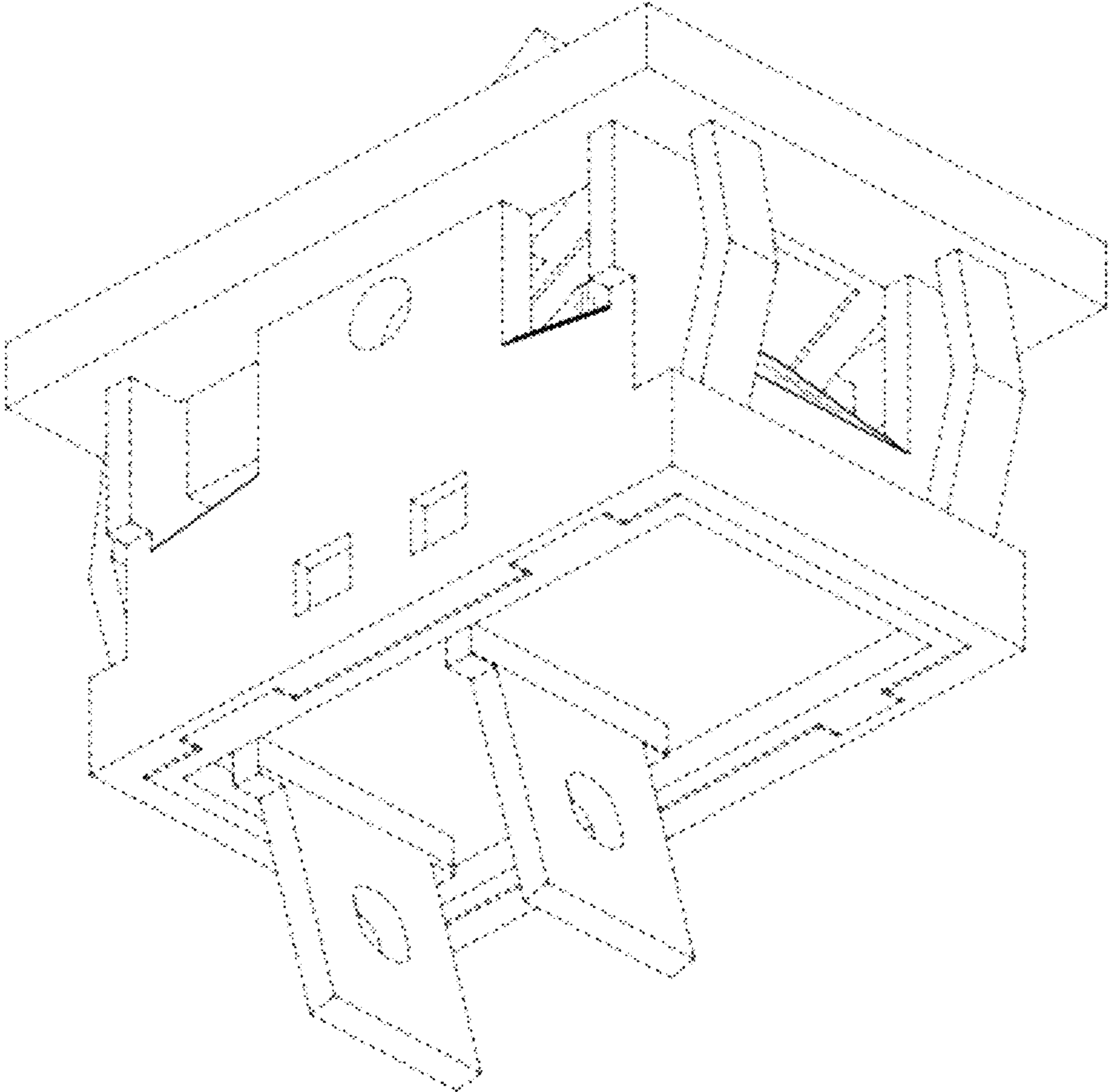


Fig. 3

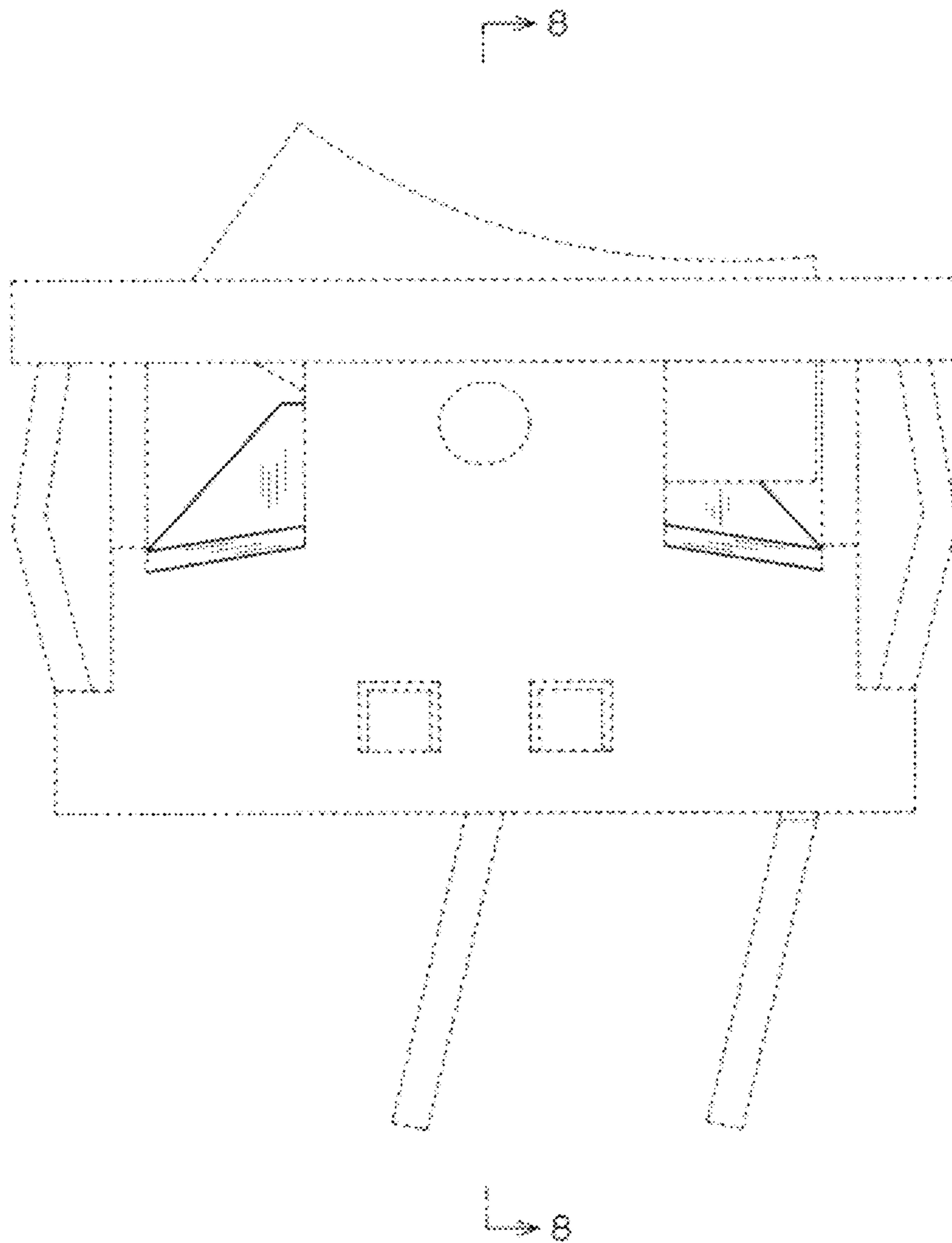


Fig. 4

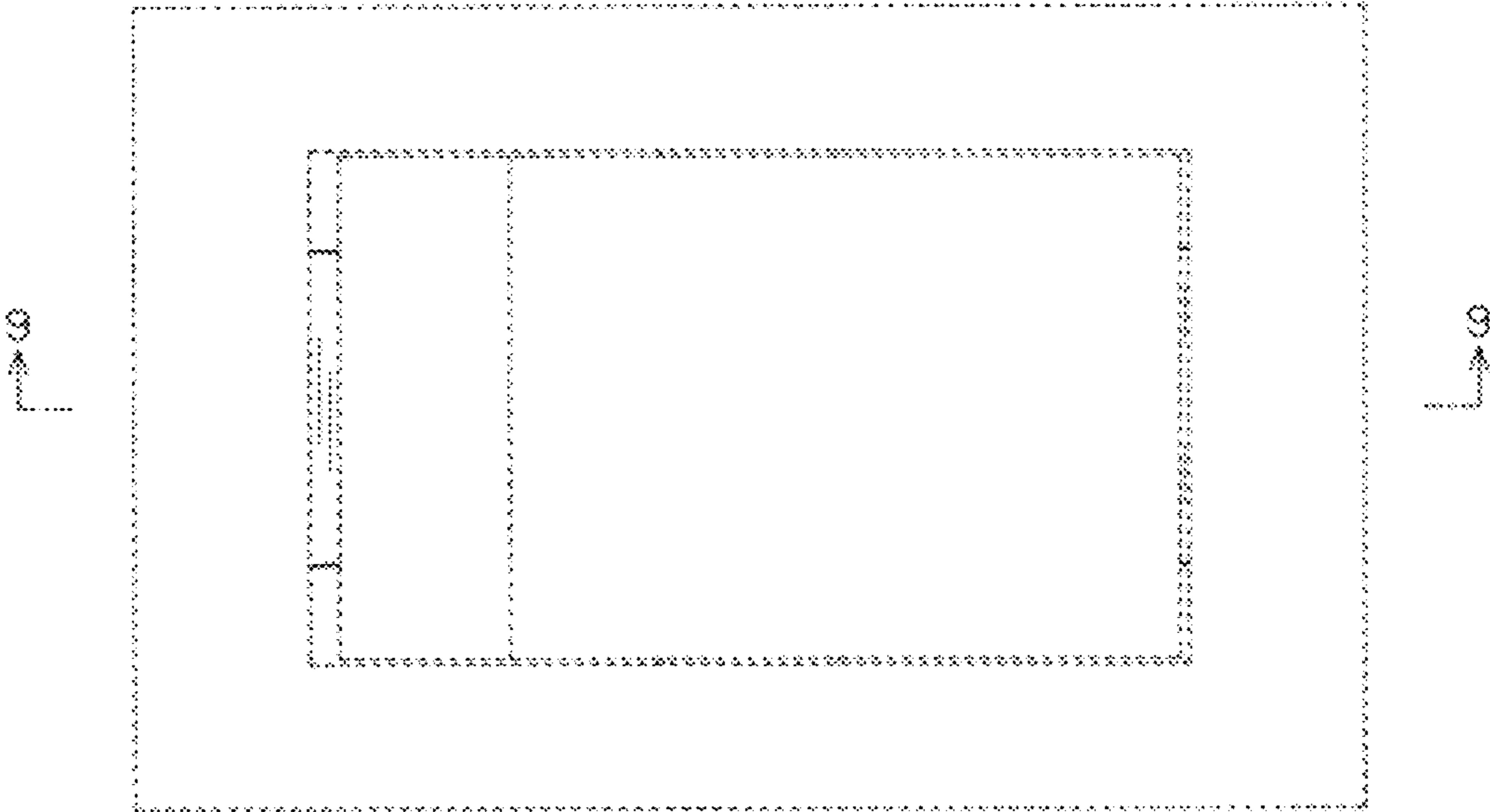


Fig. 5

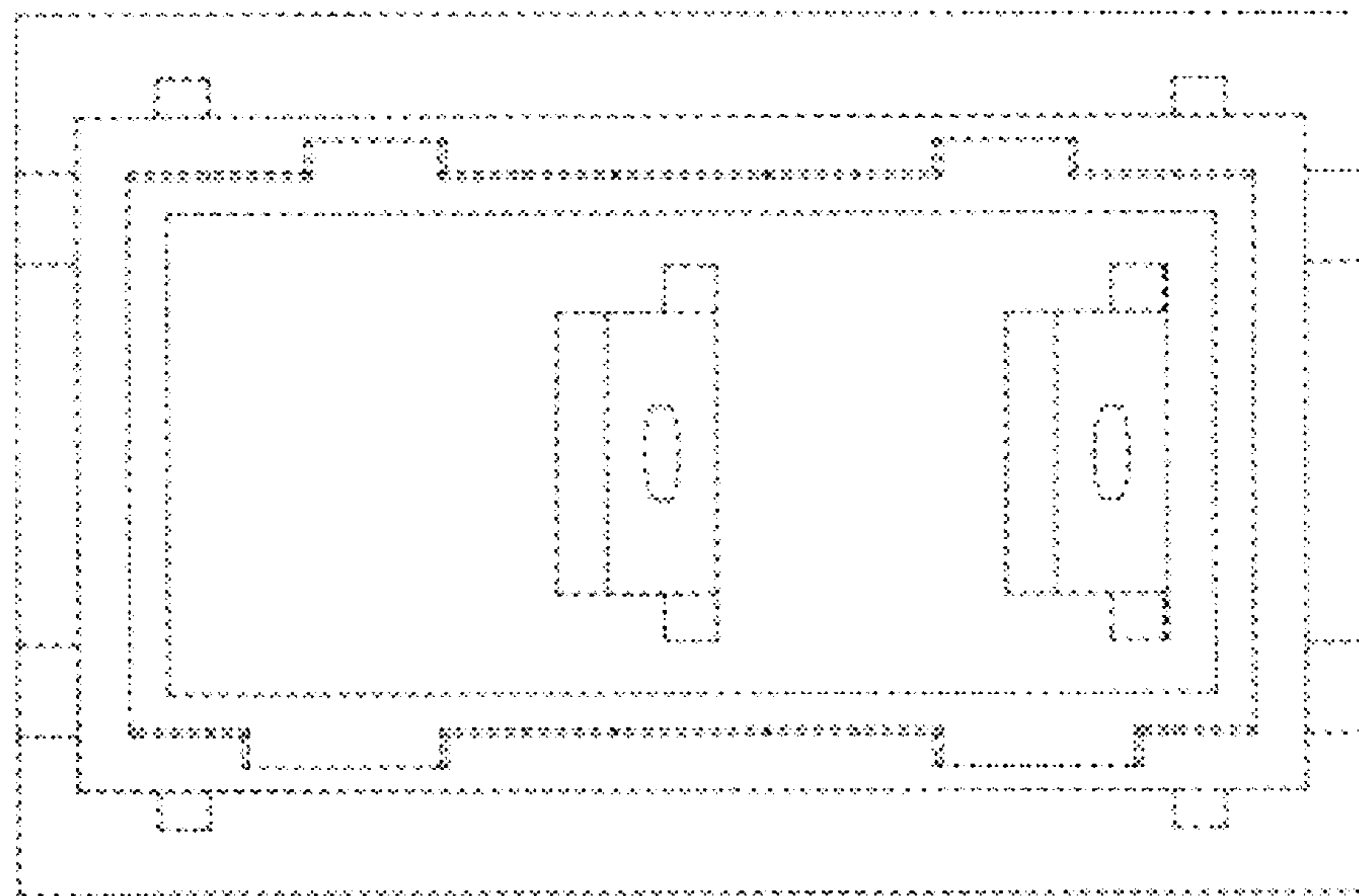


Fig. 6

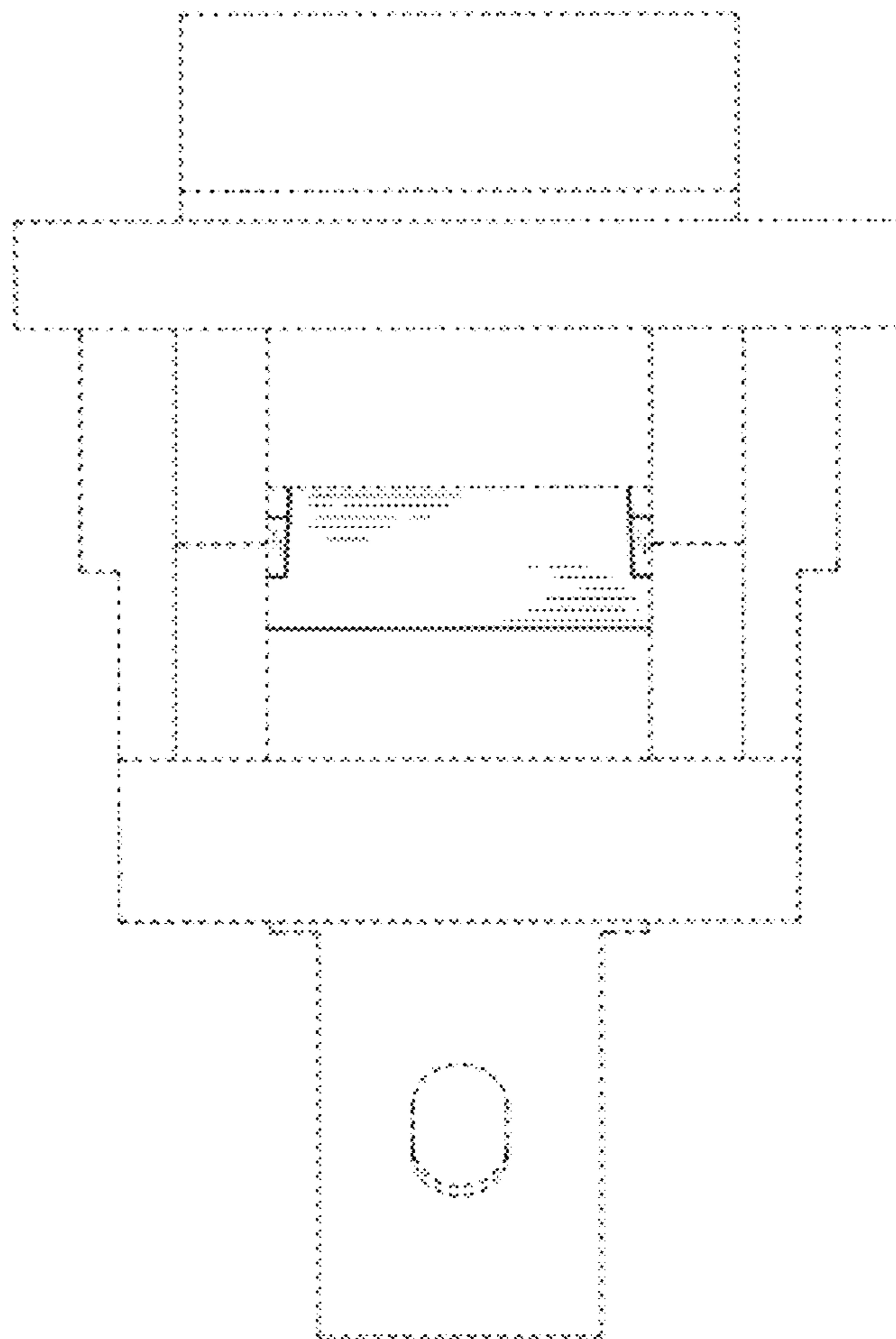


Fig. 7

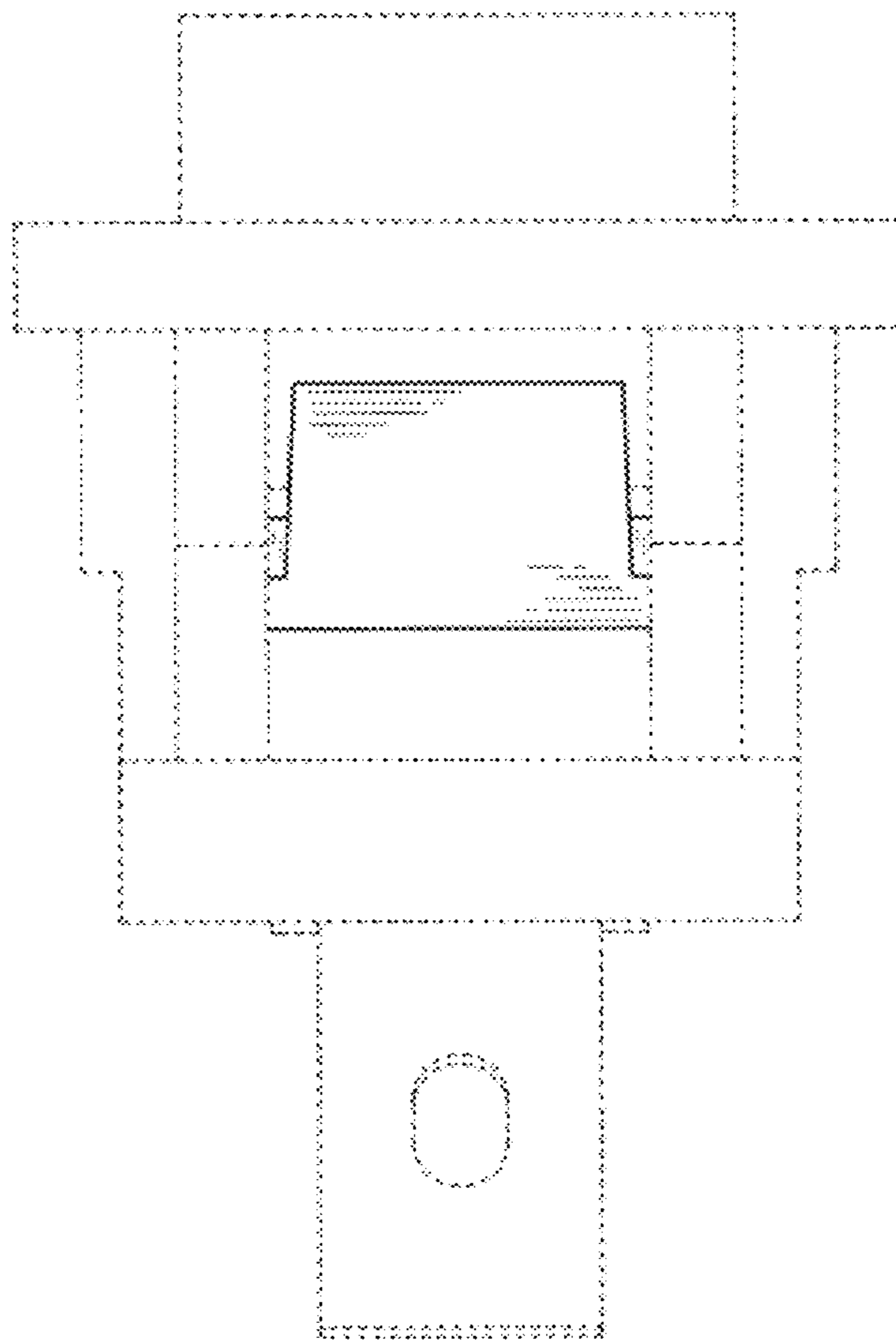


Fig. 8

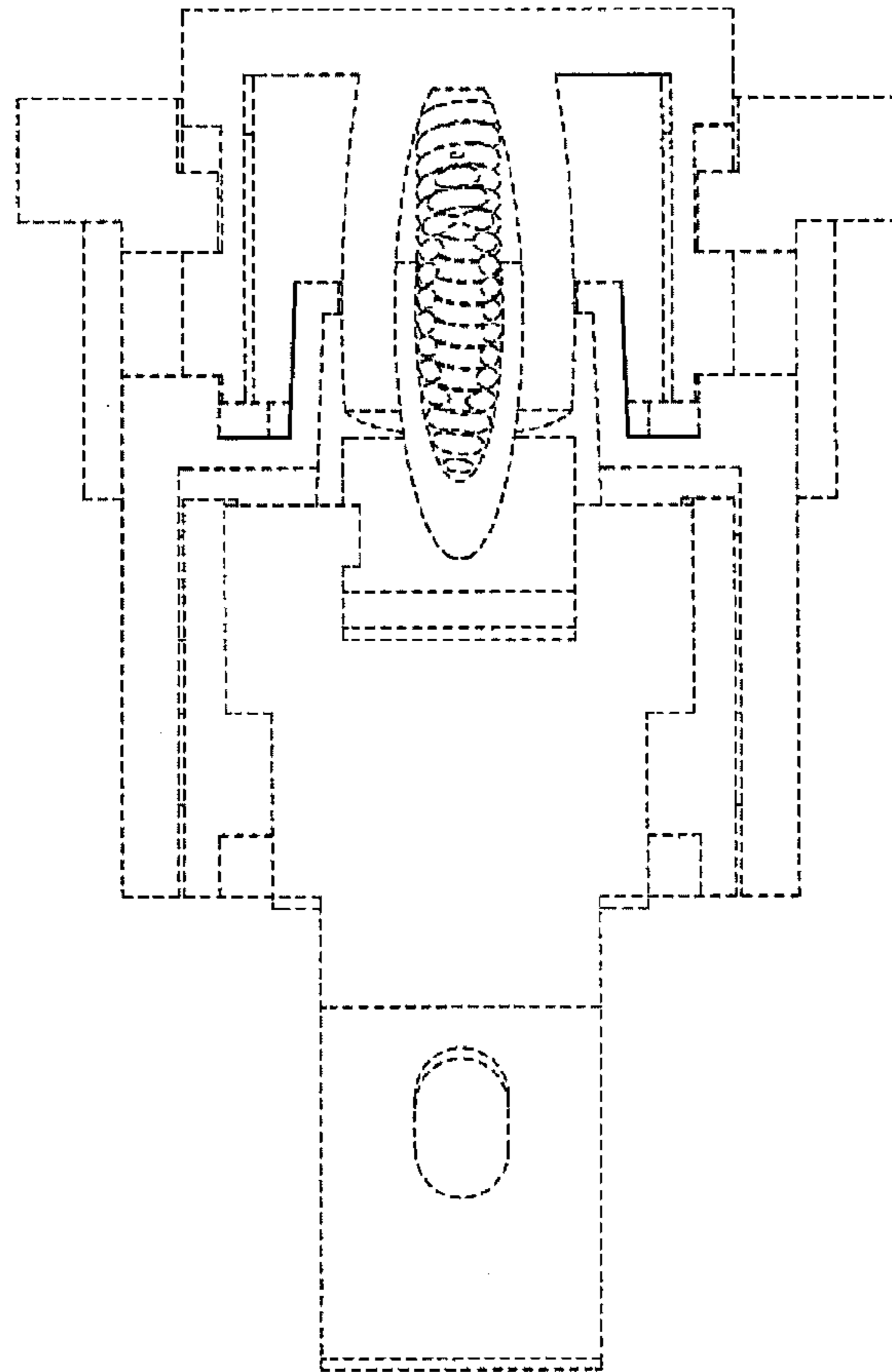


Fig. 9

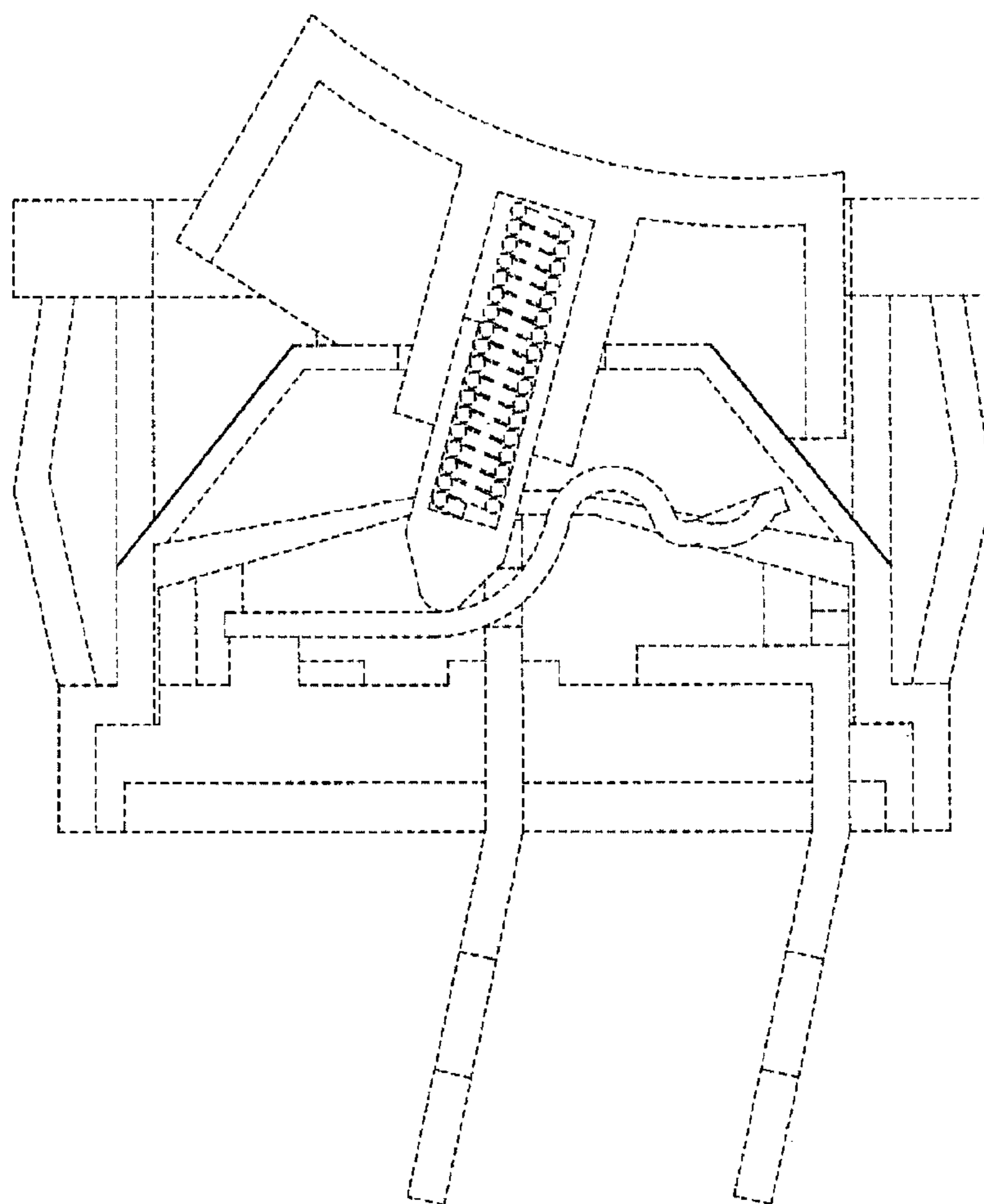


Fig.10

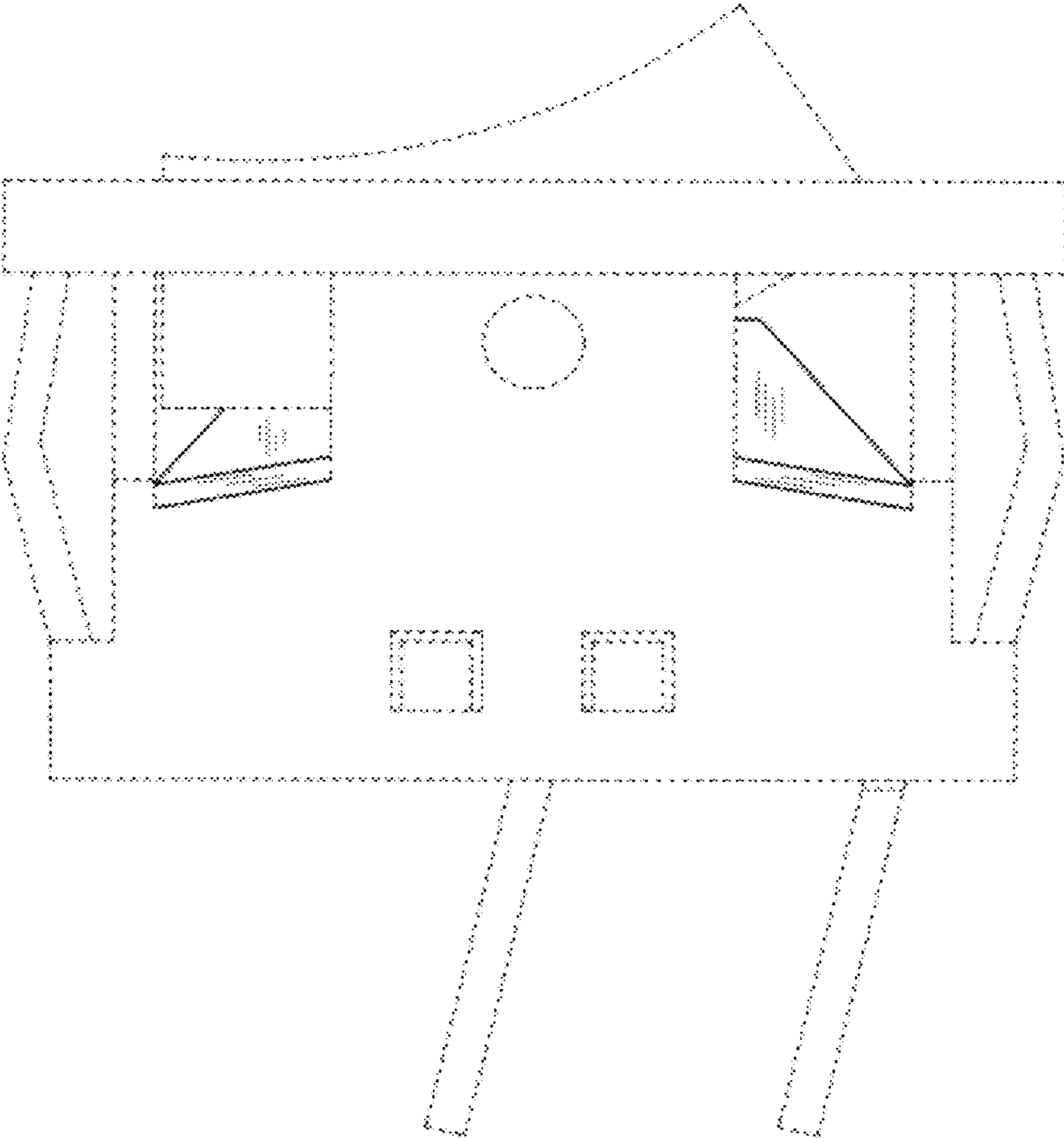


Fig. 11

