



US00D658595S

(12) **United States Design Patent**  
**Harada et al.**

(10) **Patent No.:** **US D658,595 S**

(45) **Date of Patent:** **\*\* May 1, 2012**

(54) **ROCKER SWITCH**

(75) Inventors: **Atsushi Harada**, Kawagoe (JP); **Koki Kamagome**, Kawagoe (JP); **Kiyotsugu Arai**, Fujioka (JP)

(73) Assignees: **Husqvarna Zenoah Co., Ltd.** (JP); **Nittei Musen Co., Ltd.** (JP)

(\*\*) Term: **14 Years**

(21) Appl. No.: **29/378,527**

(22) Filed: **Nov. 5, 2010**

(30) **Foreign Application Priority Data**

May 26, 2010 (JP) ..... 2010-012955

(51) **LOC (9) Cl.** ..... **13-03**

(52) **U.S. Cl.** ..... **D13/169**

(58) **Field of Classification Search** ..... D13/162, D13/169, 170, 174; 200/5 R, 5 A, 553, 252, 200/293, 296, 308, 315, 329, 339; 307/139, 307/157; 315/209 R, 224, 246, 291, 295  
See application file for complete search history.

(56) **References Cited**

**U.S. PATENT DOCUMENTS**

5,041,706	A *	8/1991	Osika et al.	200/296
5,107,082	A *	4/1992	Valenzona	200/292
5,660,270	A *	8/1997	Martin et al.	200/315
6,054,655	A *	4/2000	Rudolph et al.	200/16 R
6,576,855	B2 *	6/2003	Levendis et al.	200/339
6,621,025	B2 *	9/2003	Yei et al.	200/315
6,794,592	B1 *	9/2004	Liu et al.	200/302.3

6,940,029	B1 *	9/2005	Wang et al.	200/315
2002/0011404	A1 *	1/2002	Takeda et al.	200/339
2002/0104748	A1 *	8/2002	Levendis et al.	200/339
2008/0041707	A1 *	2/2008	Lee	200/339
2010/0258418	A1 *	10/2010	Yu	200/314

\* cited by examiner

*Primary Examiner* — Selina Sikder

(74) *Attorney, Agent, or Firm* — Fish & Richardson P.C.

(57) **CLAIM**

The ornamental design for a rocker switch, as shown and described.

**DESCRIPTION**

FIG. 1 is a front perspective view of a rocker switch showing our new design;

FIG. 2 is a rear perspective view thereof;

FIG. 3 is a front view thereof, the rear view being a mirror image of FIG. 3;

FIG. 4 is a top plan view thereof;

FIG. 5 is a bottom plan view thereof;

FIG. 6 is a right side view thereof;

FIG. 7 is a left side view thereof;

FIG. 8 is a cross-sectional view taken along line 8-8 in FIG. 3;

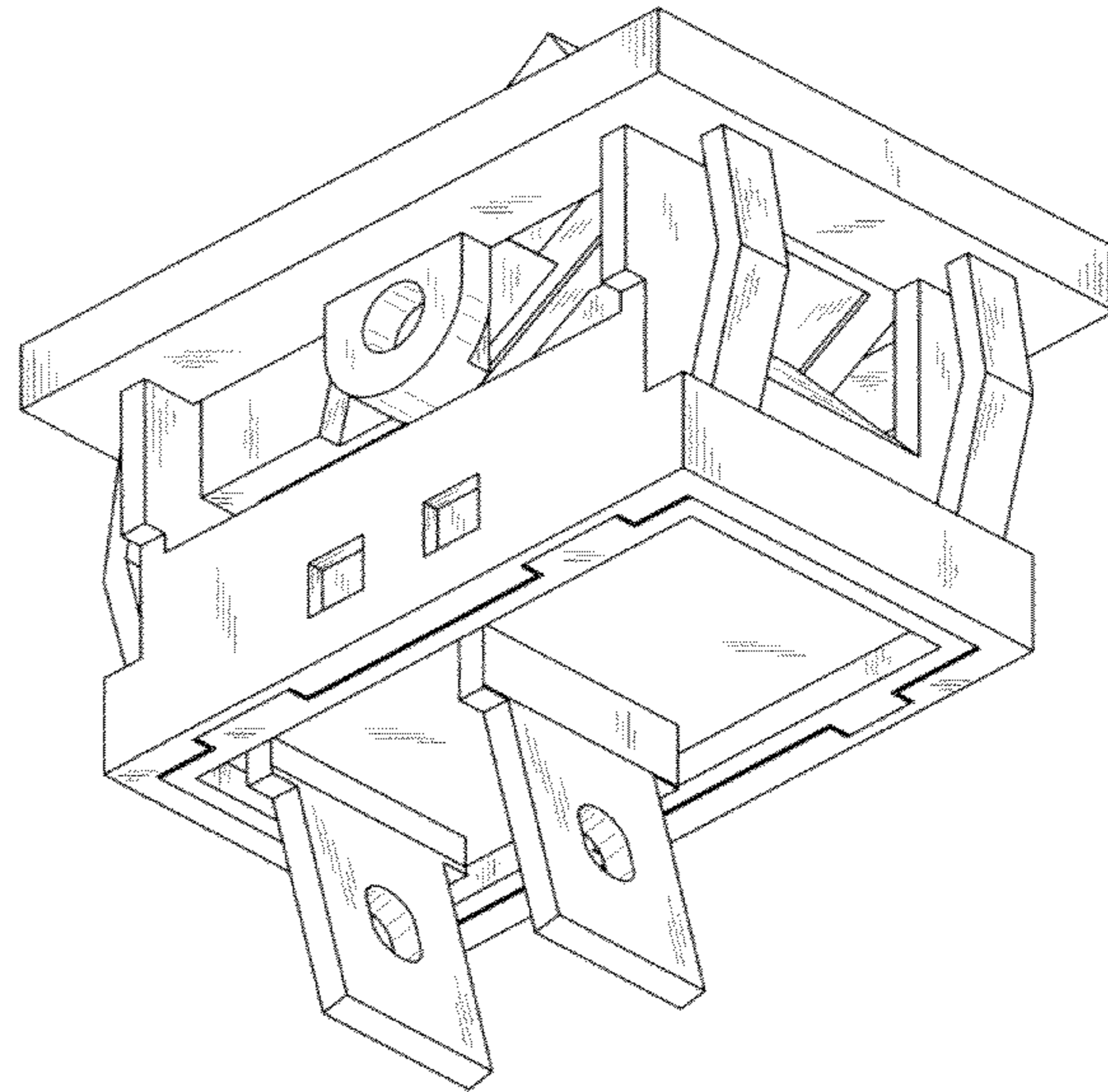
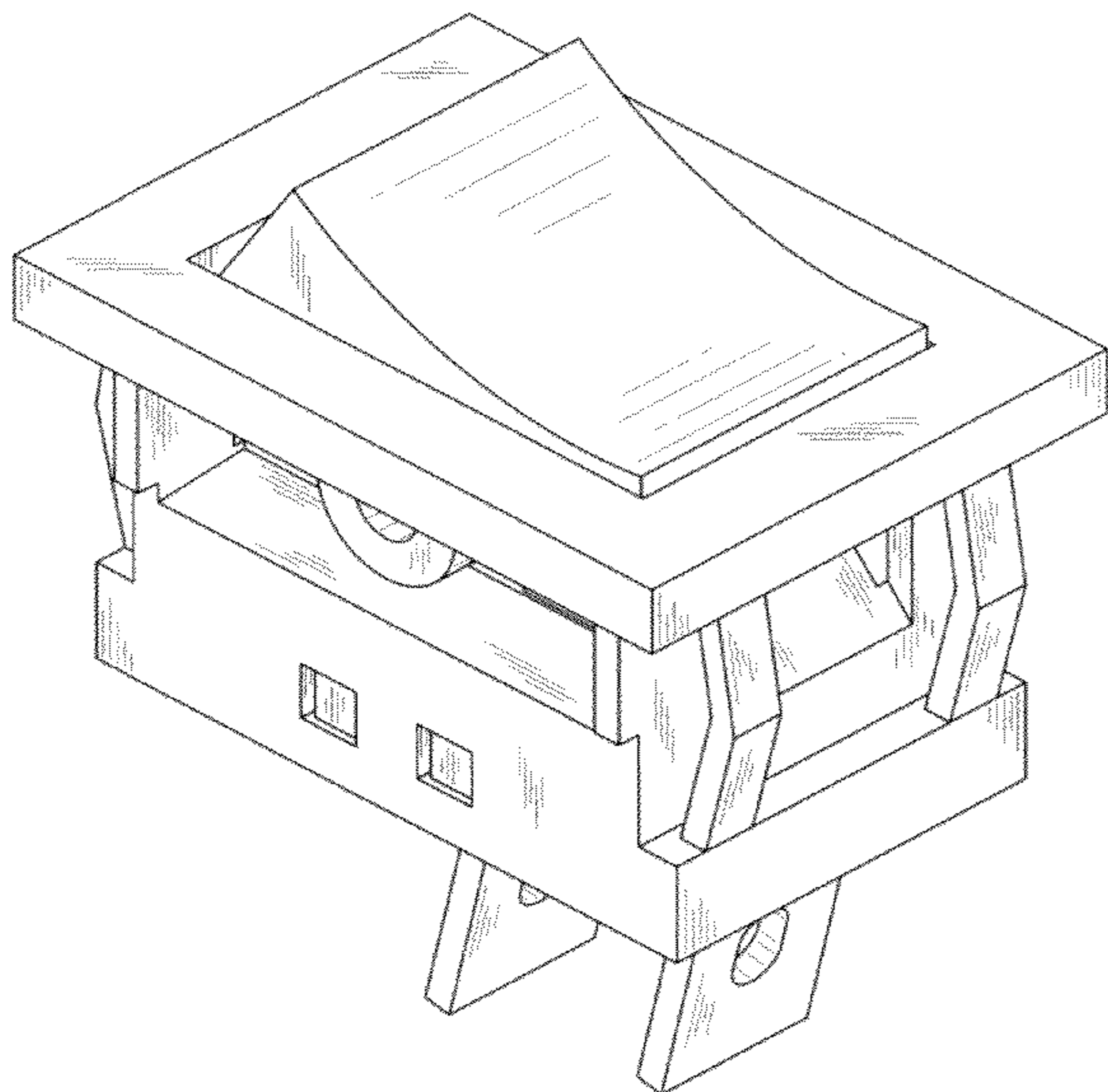
FIG. 9 is a cross-sectional view taken along line 9-9 in FIG. 4;

FIG. 10 is a front view in which the rocker button is switched, the rear view in which the rocker button is switched being a mirror image of FIG. 10; and,

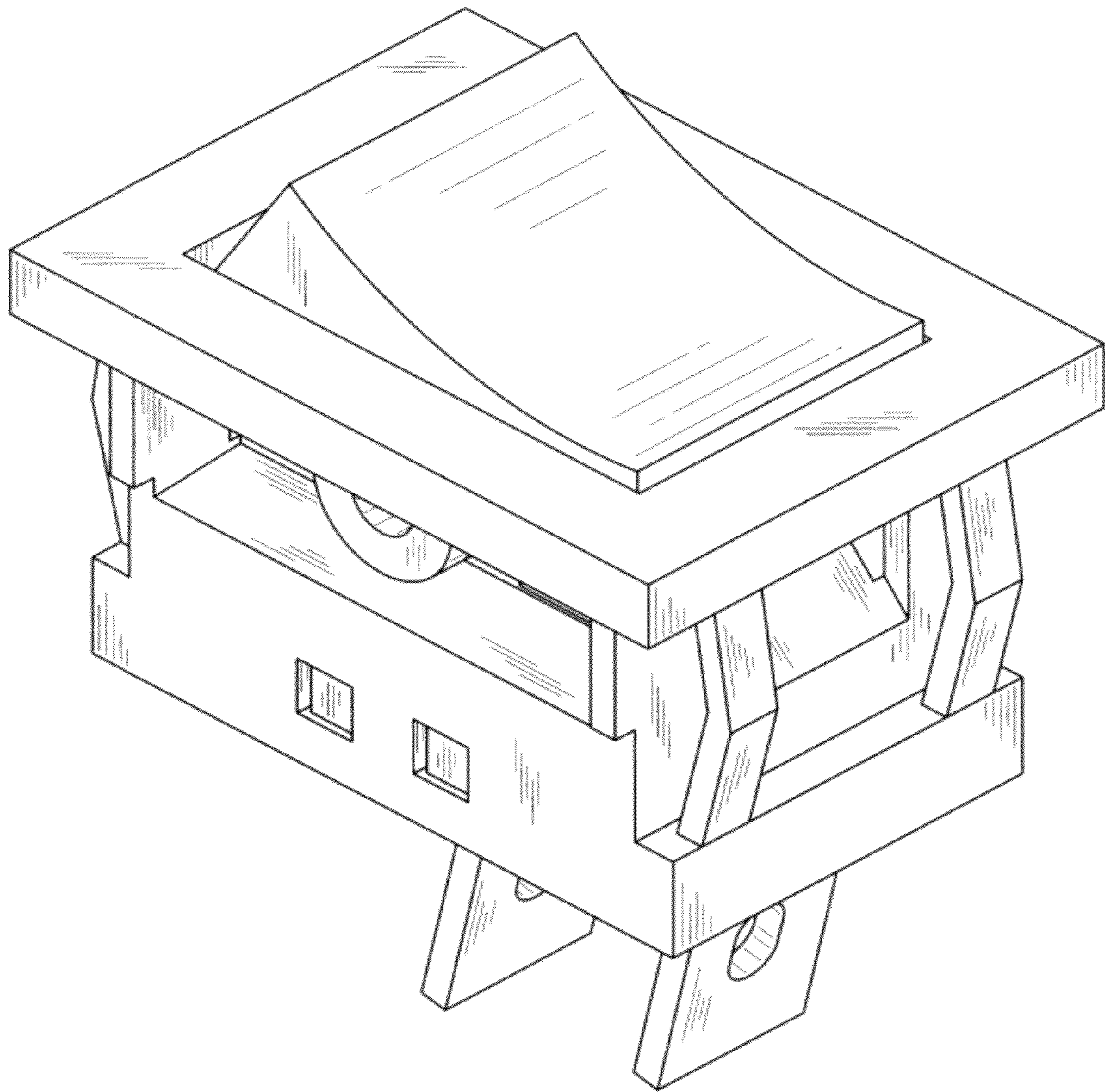
FIG. 11 is a right side view in which the rocker button is switched.

The cross sectional views shown in FIGS. 8 and 9 are included for the purpose of showing external surface contours which may not be clear from the remaining illustrations. Any features of internal construction shown are incidental and form no part of the claimed design.

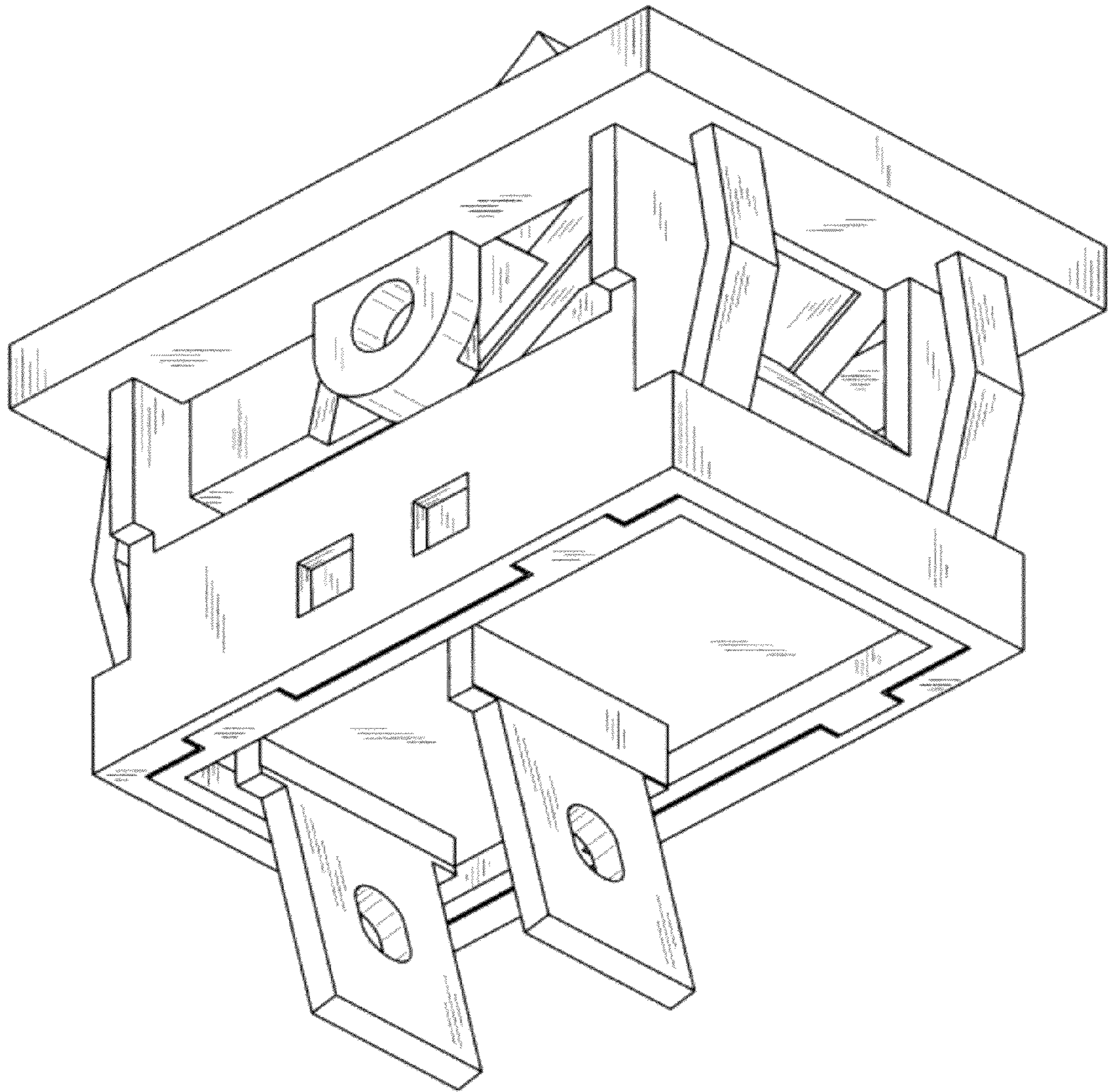
**1 Claim, 11 Drawing Sheets**



**Fig. 1**



**Fig. 2**



**Fig. 3**

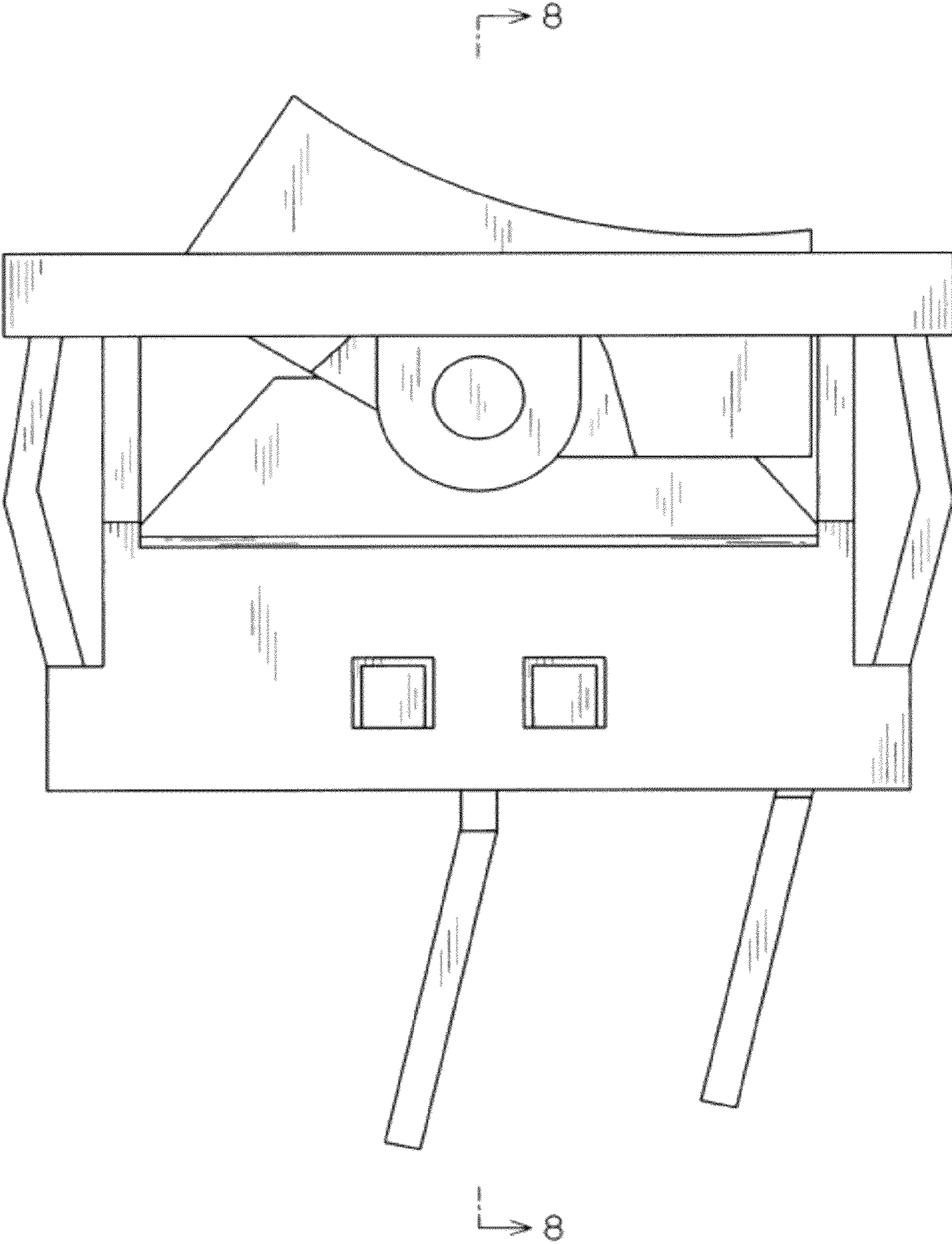
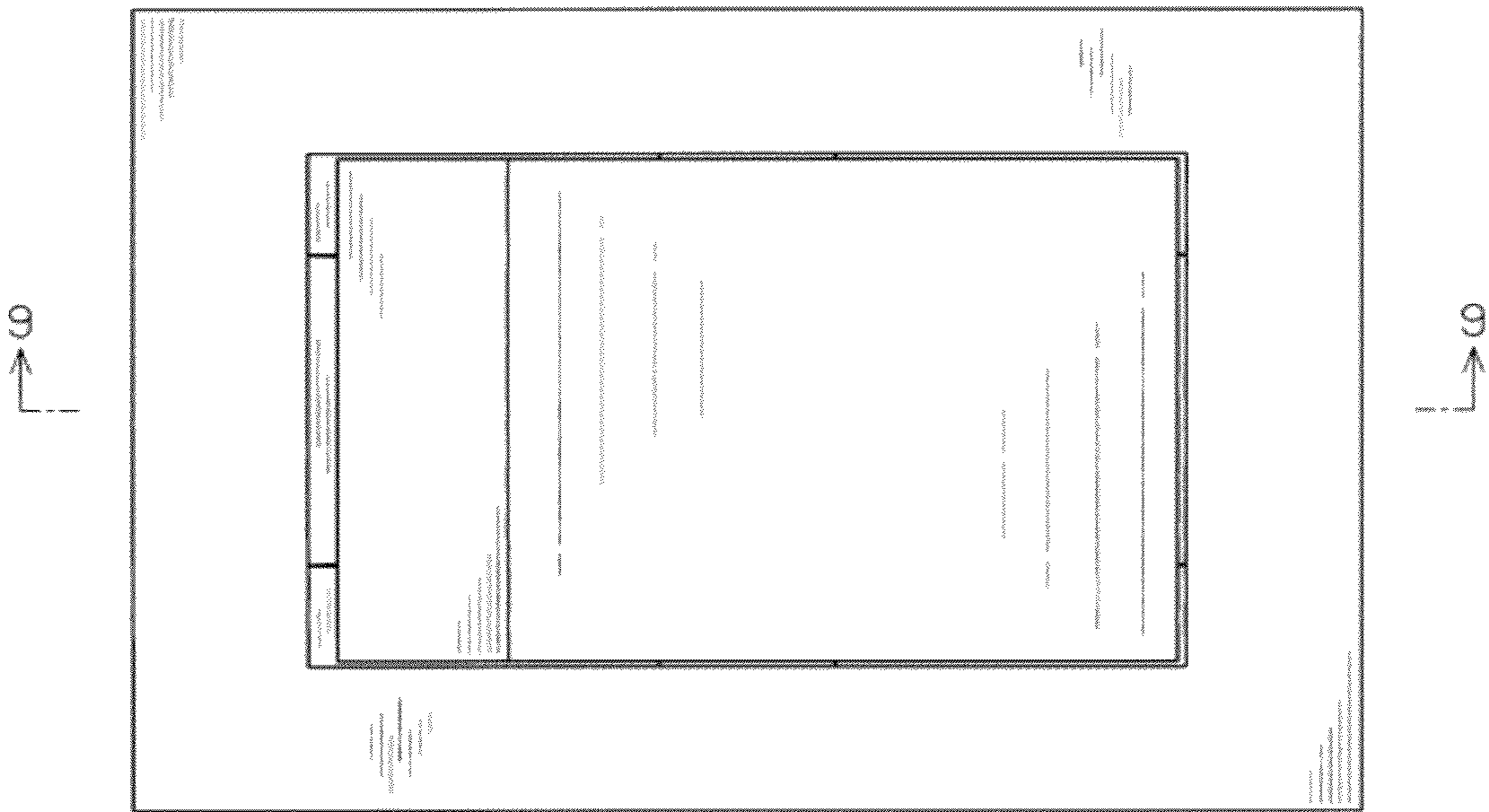
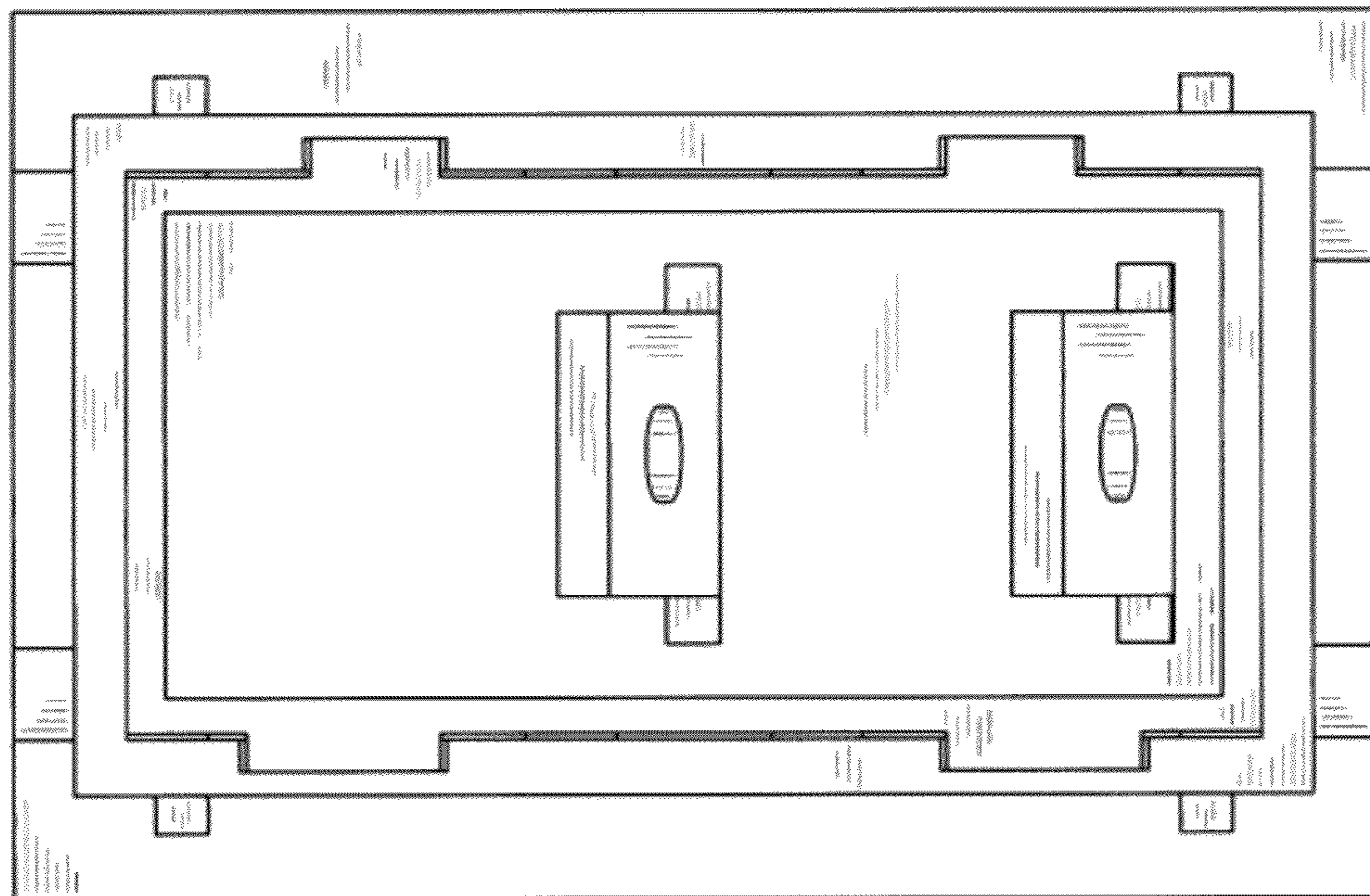


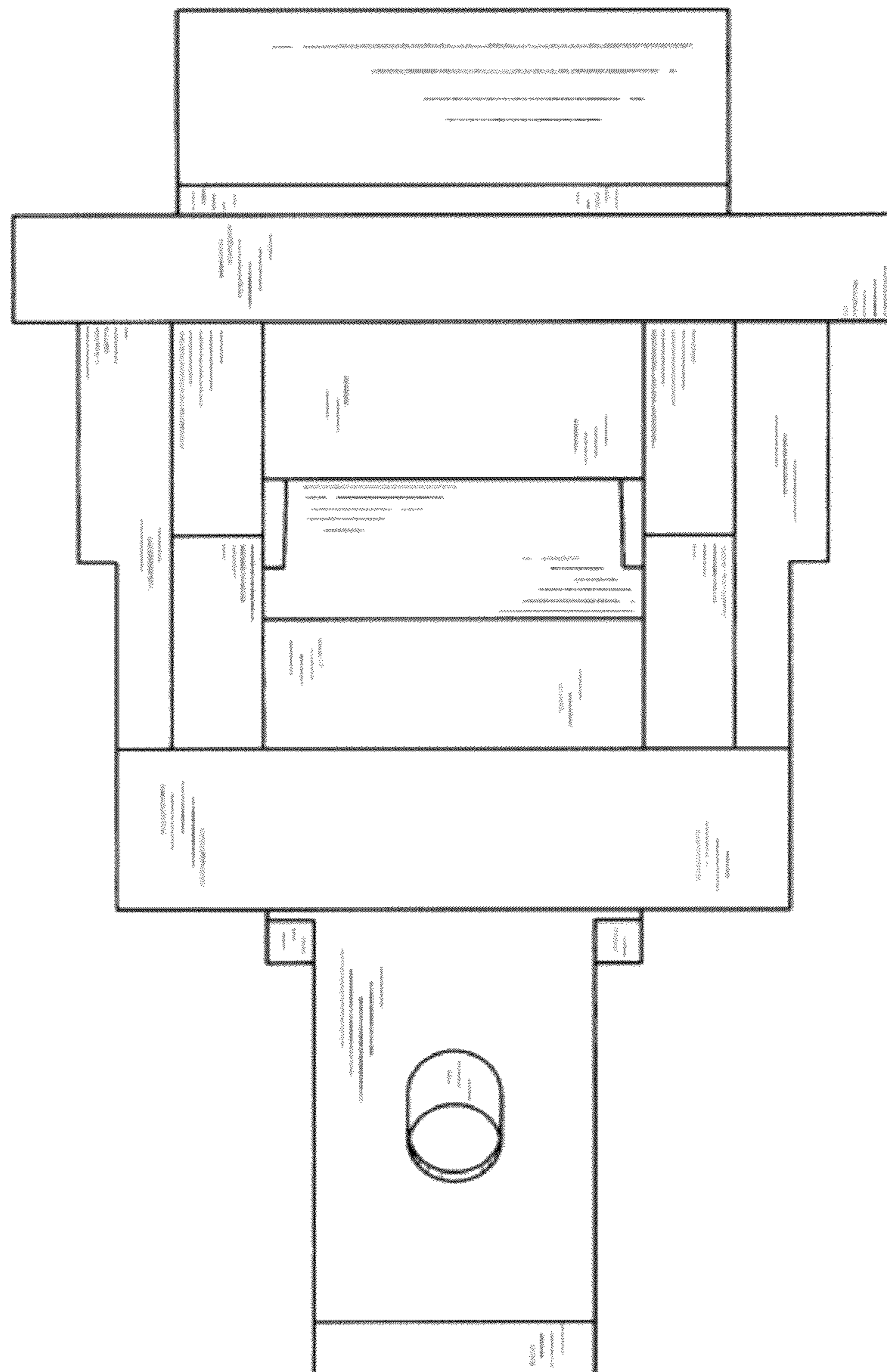
Fig. 4



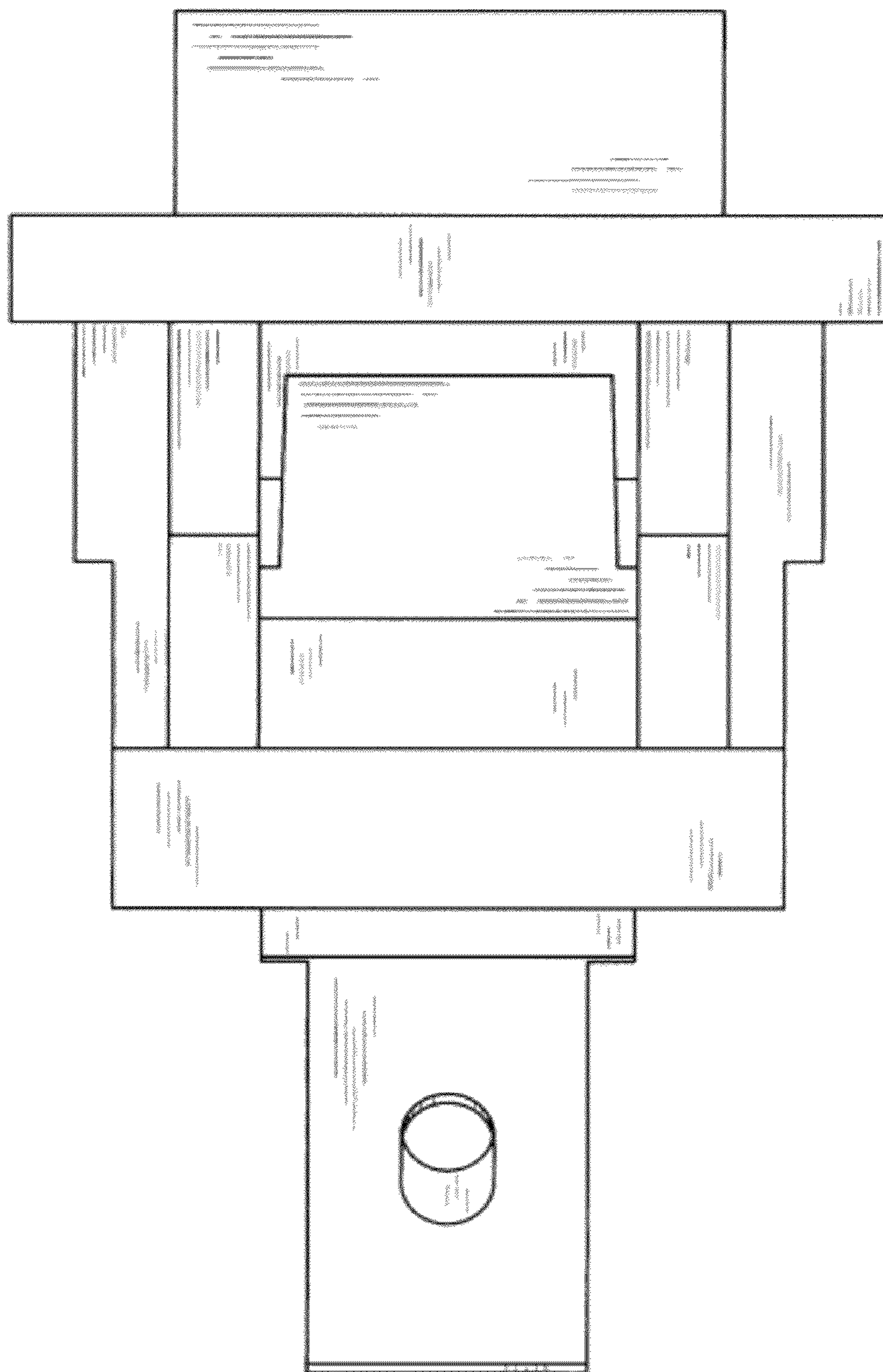
**Fig. 5**



**Fig. 6**

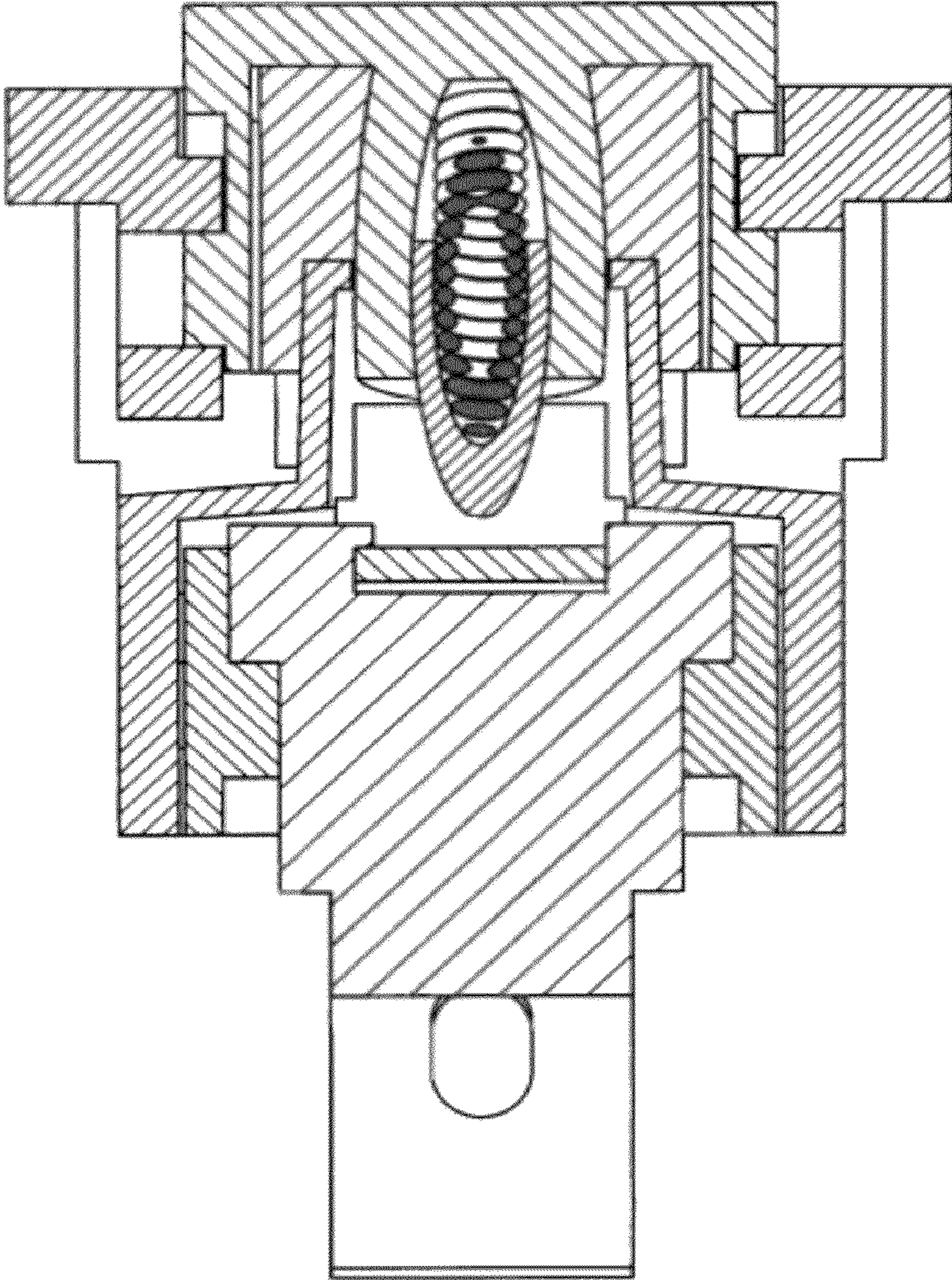


**Fig. 7**

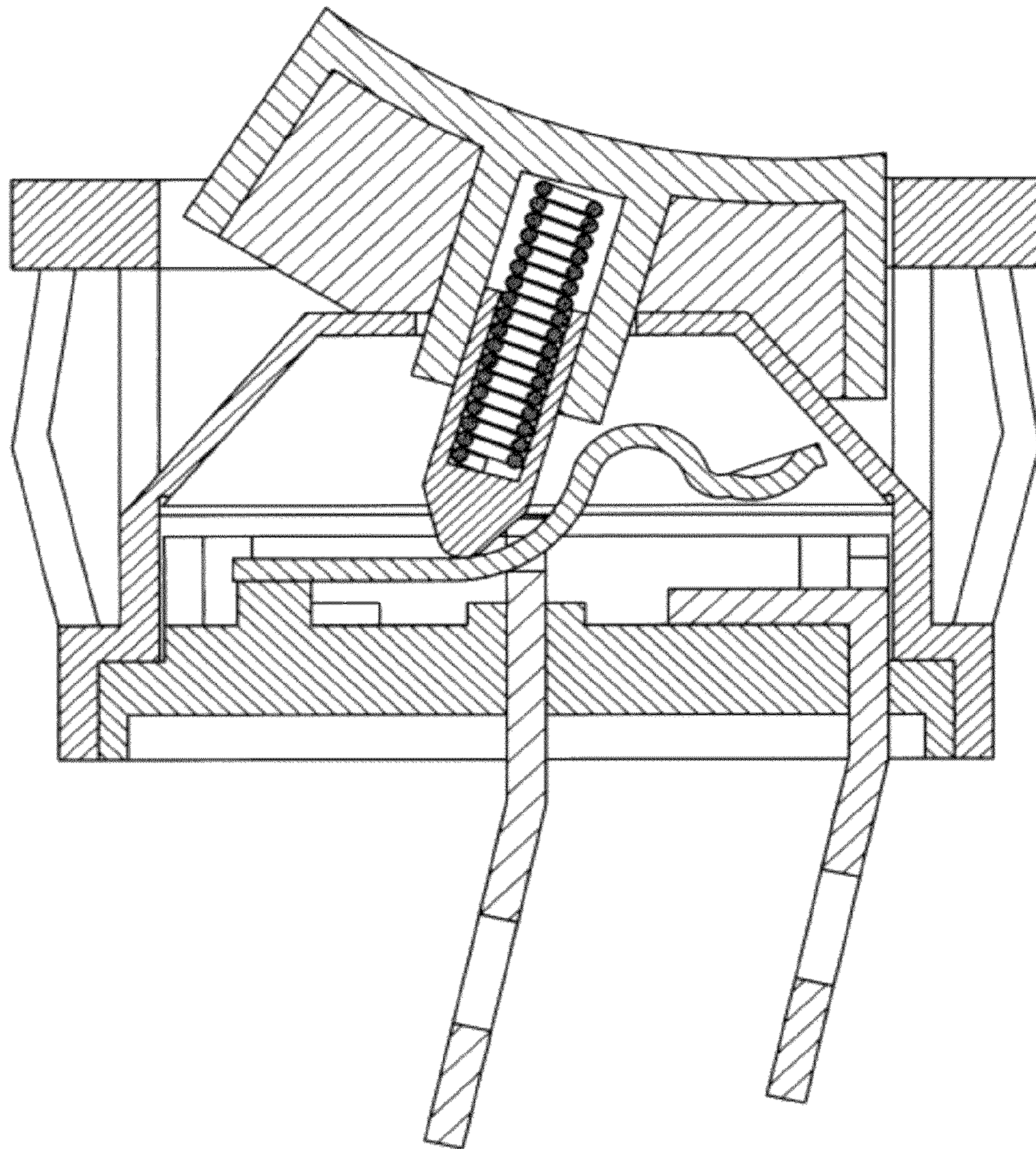




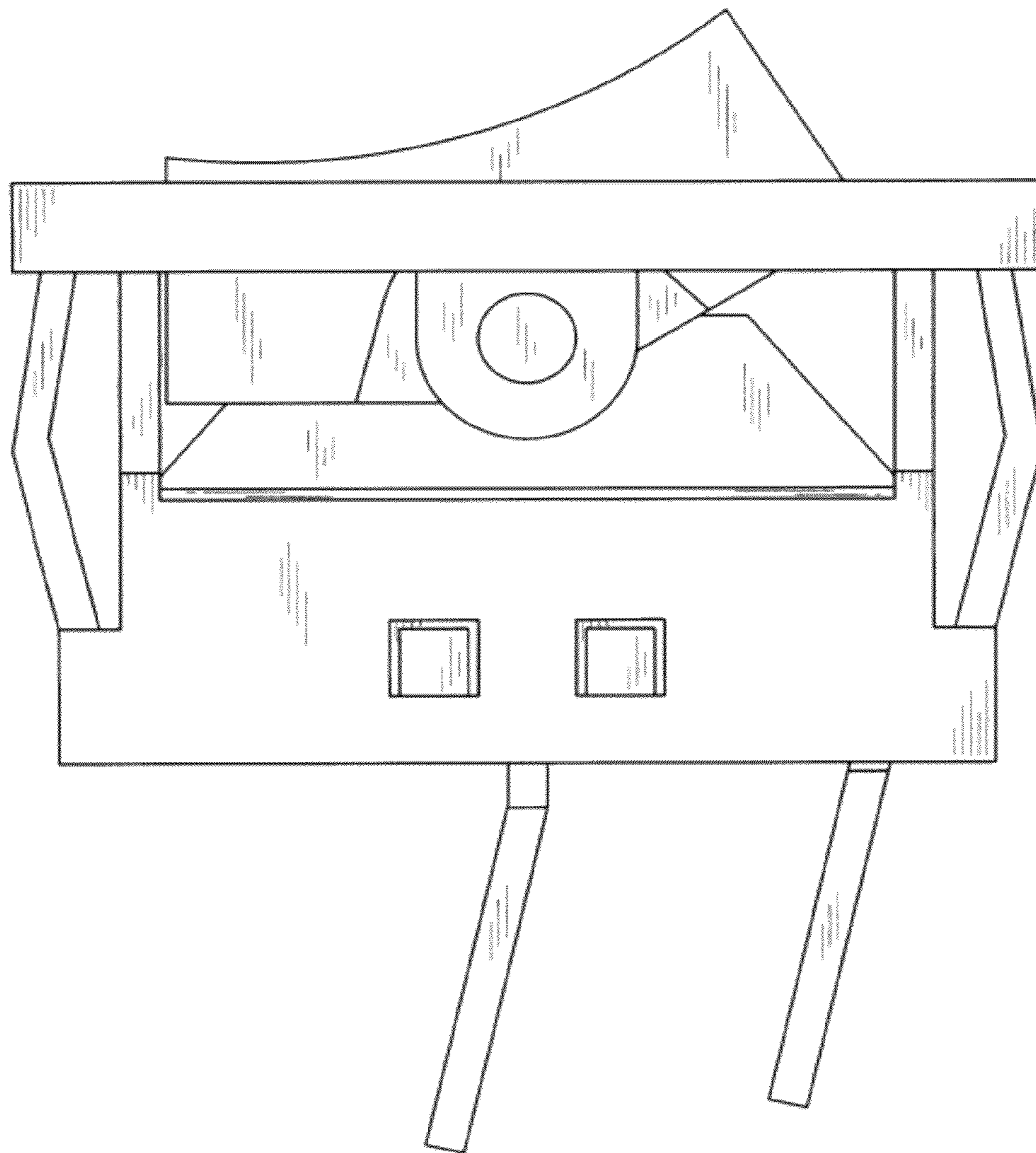
**Fig. 8**



**Fig. 9**



**Fig. 10**



**Fig. 11**

