



US00D658594S

(12) **United States Design Patent**
Felegy, Jr. et al.

(10) **Patent No.:** **US D658,594 S**

(45) **Date of Patent:** **** *May 1, 2012**

(54) **TABLETOP REMOTE LOAD CONTROL DEVICE**

(56) **References Cited**

(75) Inventors: **Edward M. Felegy, Jr.**, Macungie, PA (US); **David William Petrillo**, Bethlehem, PA (US); **Gregory M. Snyder**, Germansville, PA (US); **Gregory Altonen**, Easton, PA (US); **Elliot G. Jacoby**, Glenside, PA (US); **Noel Mayo**, Philadelphia, PA (US); **Joel S. Spira**, Coopersburg, PA (US)

U.S. PATENT DOCUMENTS

D554,107	S	*	10/2007	Calco et al.	D14/217
D557,259	S	*	12/2007	Hirsch	D14/217
D614,146	S	*	4/2010	Felegy et al.	D13/168
D616,836	S	*	6/2010	Felegy et al.	D13/168
D619,971	S	*	7/2010	Felegy et al.	D13/168
D627,307	S	*	11/2010	Petrillo et al.	D13/168
D636,739	S	*	4/2011	Petrillo et al.	D13/168
D640,209	S	*	6/2011	Felegy et al.	D13/168
2011/0266122	A1	*	11/2011	Zaharchuk et al.	200/308

* cited by examiner

(73) Assignee: **Lutron Electronics Co., Inc.**, Coopersburg, PA (US)

Primary Examiner — Selina Sikder

(74) *Attorney, Agent, or Firm* — Mark E. Rose; Philip N. Smith; Bridget L. McDonough

(*) Notice: This patent is subject to a terminal disclaimer.

(57) **CLAIM**

We claim the ornamental design for a tabletop remote load control device, as shown and described.

(**) Term: **14 Years**

DESCRIPTION

(21) Appl. No.: **29/392,876**

FIG. 1 is a perspective view of a tabletop remote load control device according to a first embodiment of our new design.

(22) Filed: **May 27, 2011**

FIG. 2 is a front view thereof.

Related U.S. Application Data

FIG. 3 is a left side view thereof.

(62) Division of application No. 29/360,752, filed on Apr. 30, 2010, now Pat. No. Des. 640,209.

FIG. 4 is a right side view thereof.

(51) **LOC (9) Cl.** **14-03**

FIG. 5 is a top view thereof.

(52) **U.S. Cl.** **D13/168**

FIG. 6 is a bottom view thereof.

(58) **Field of Classification Search** D13/168; D14/218; 200/308; 315/158, 295; 340/4.3, 340/4.42, 12.22, 12.23, 12.24, 12.29, 12.3, 340/13.2, 13.21, 13.24; 341/176; 345/169; 348/734; 455/352; 463/39; 700/17, 65, 700/83

FIG. 7 is a perspective view of a tabletop remote load control device according to a second embodiment of our new design.

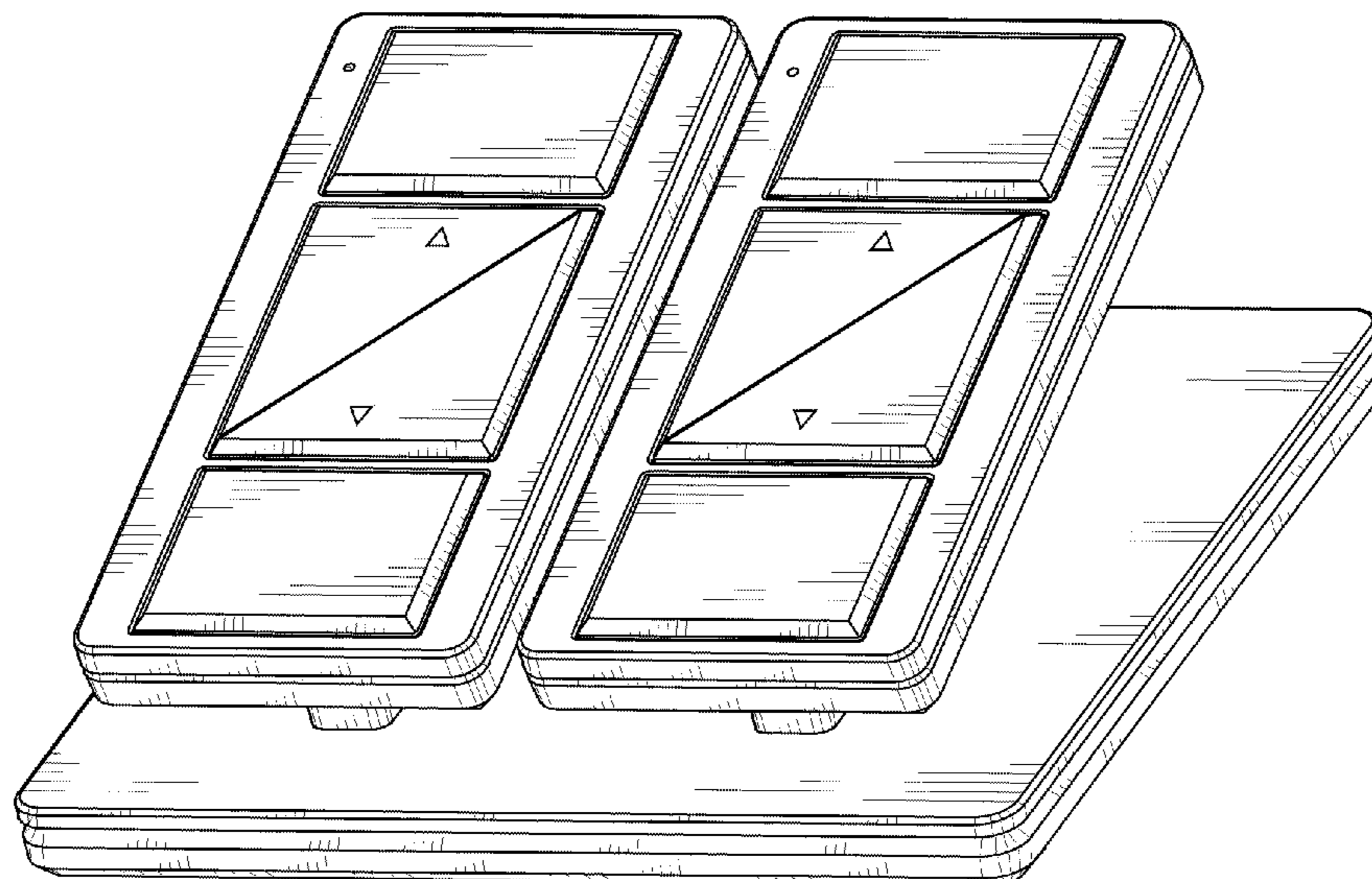
FIG. 8 is a front view thereof; and,

FIG. 9 is a bottom view thereof, the left side, right side, and top views, respectively, of the second embodiment being identical to the left side, right side, and top views of the first embodiment.

The rear views form no part of the design and are omitted.

See application file for complete search history.

1 Claim, 7 Drawing Sheets



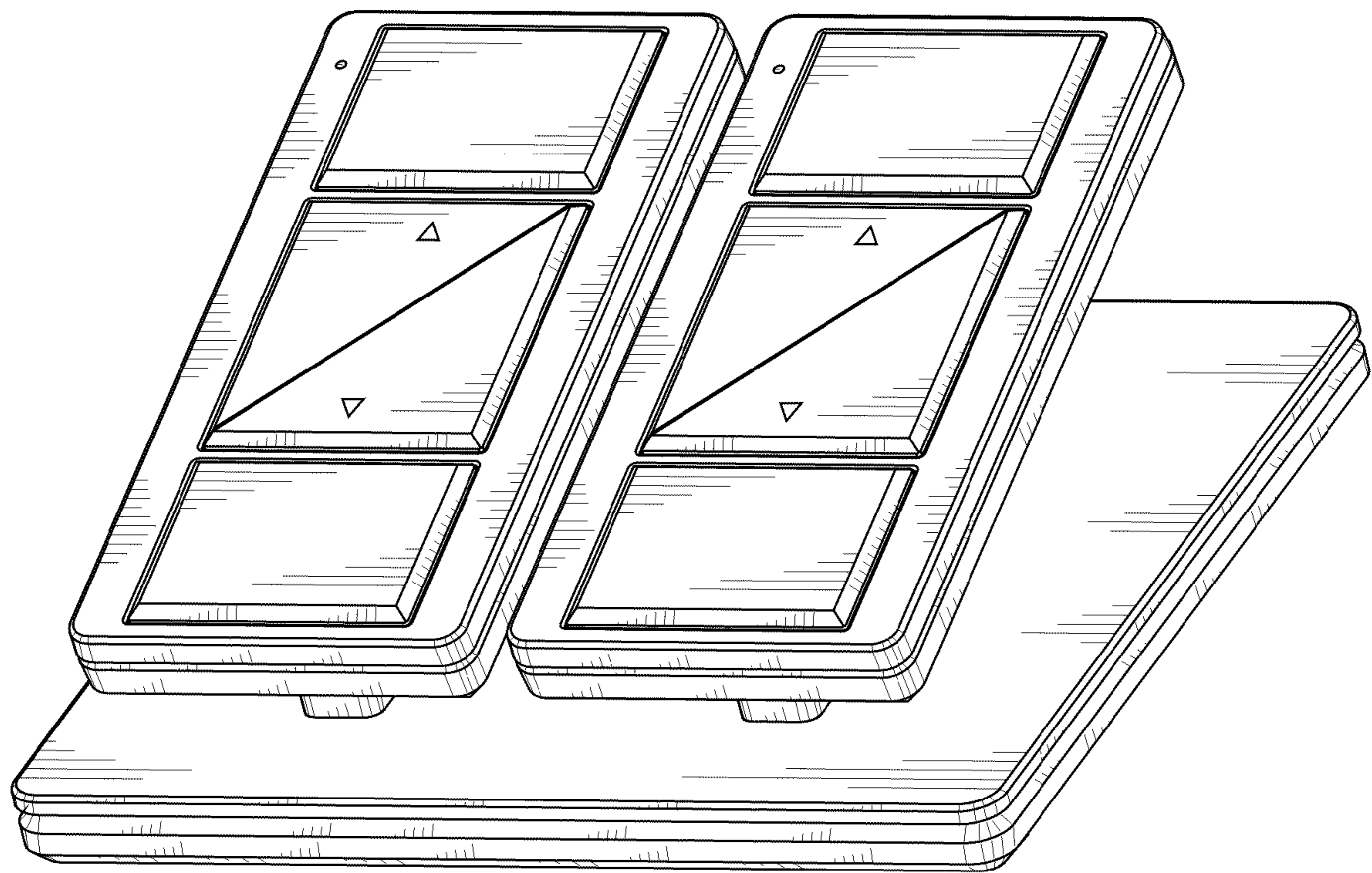


Fig. 1

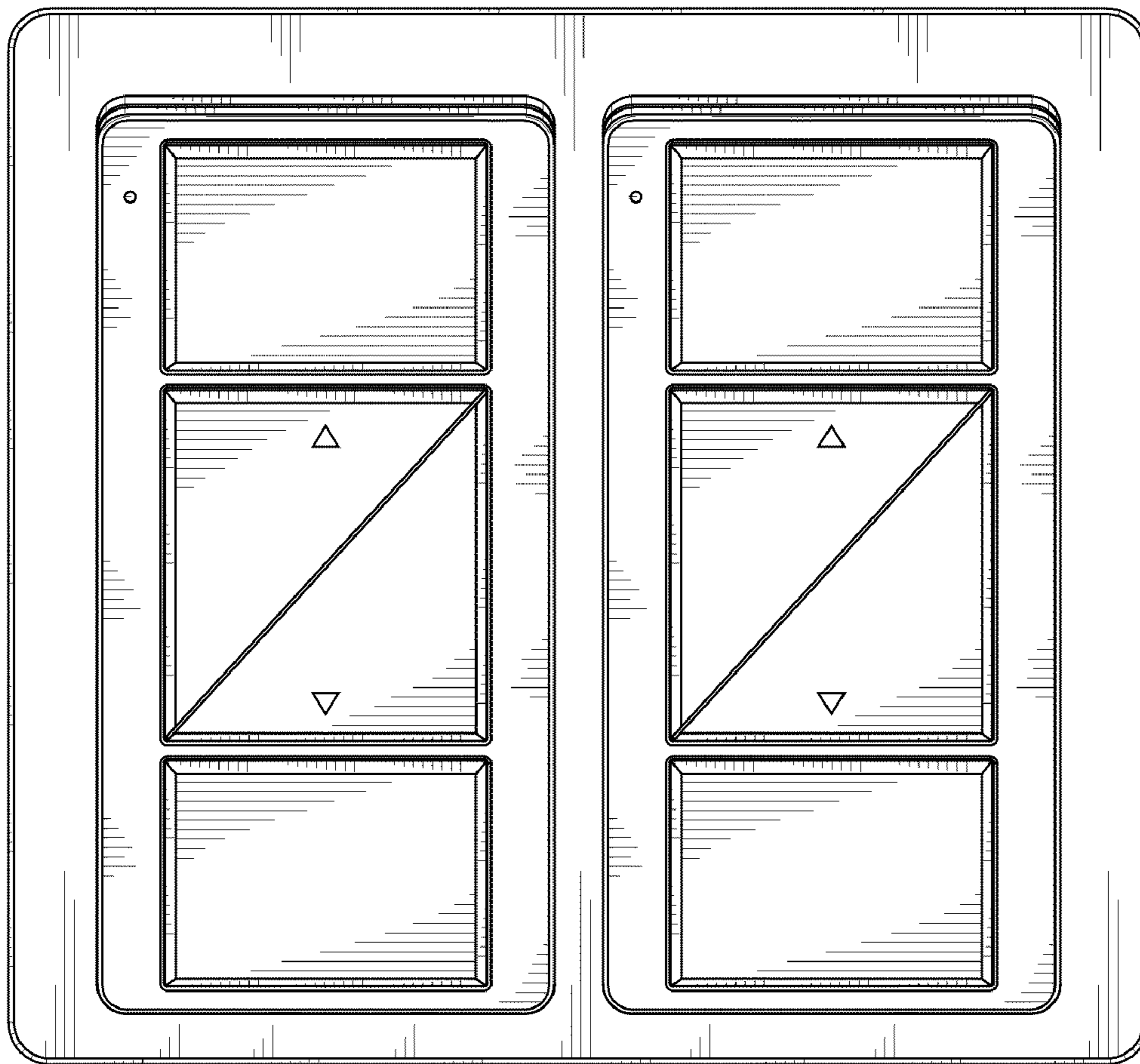


Fig. 2

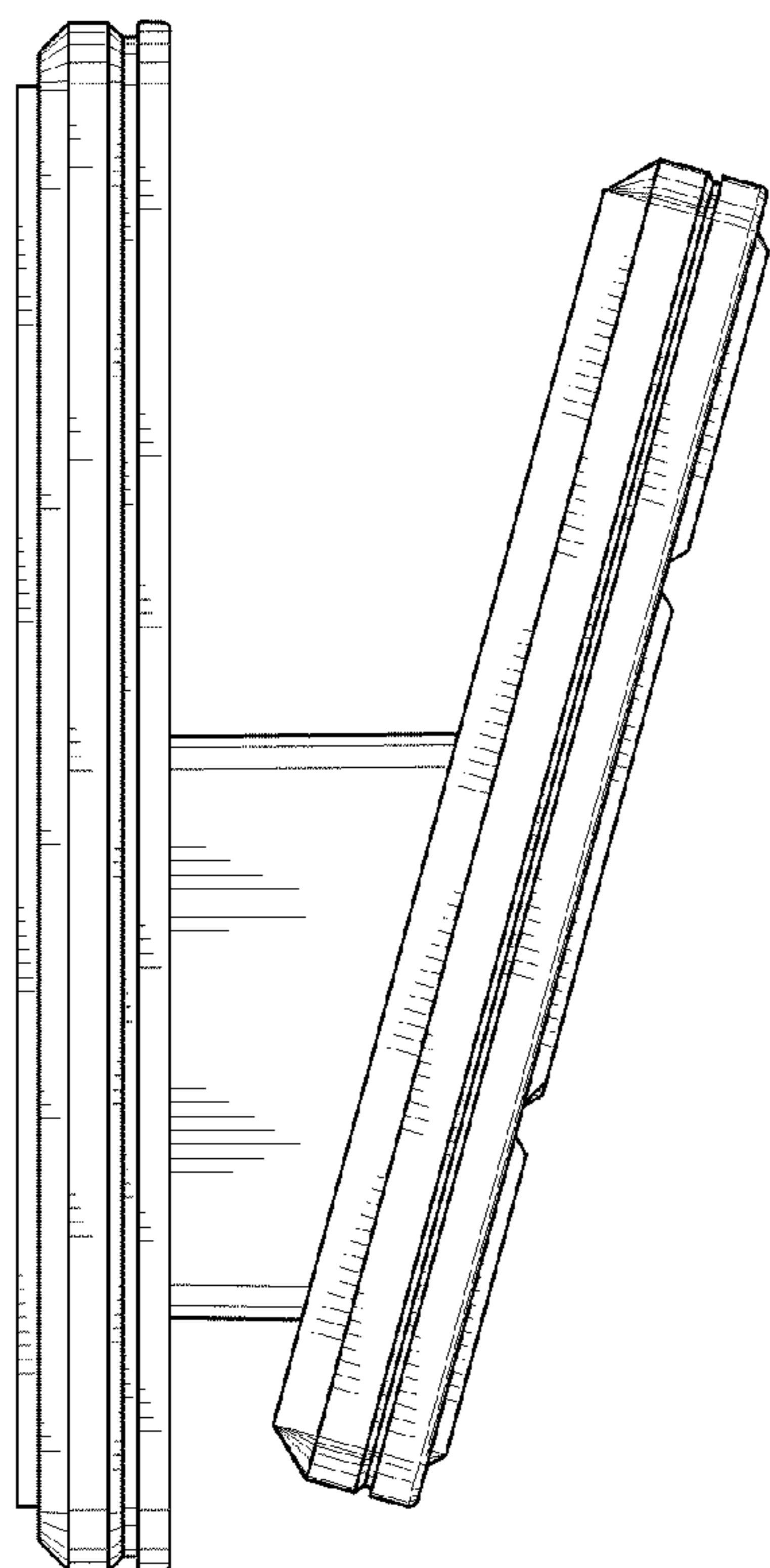


Fig. 3

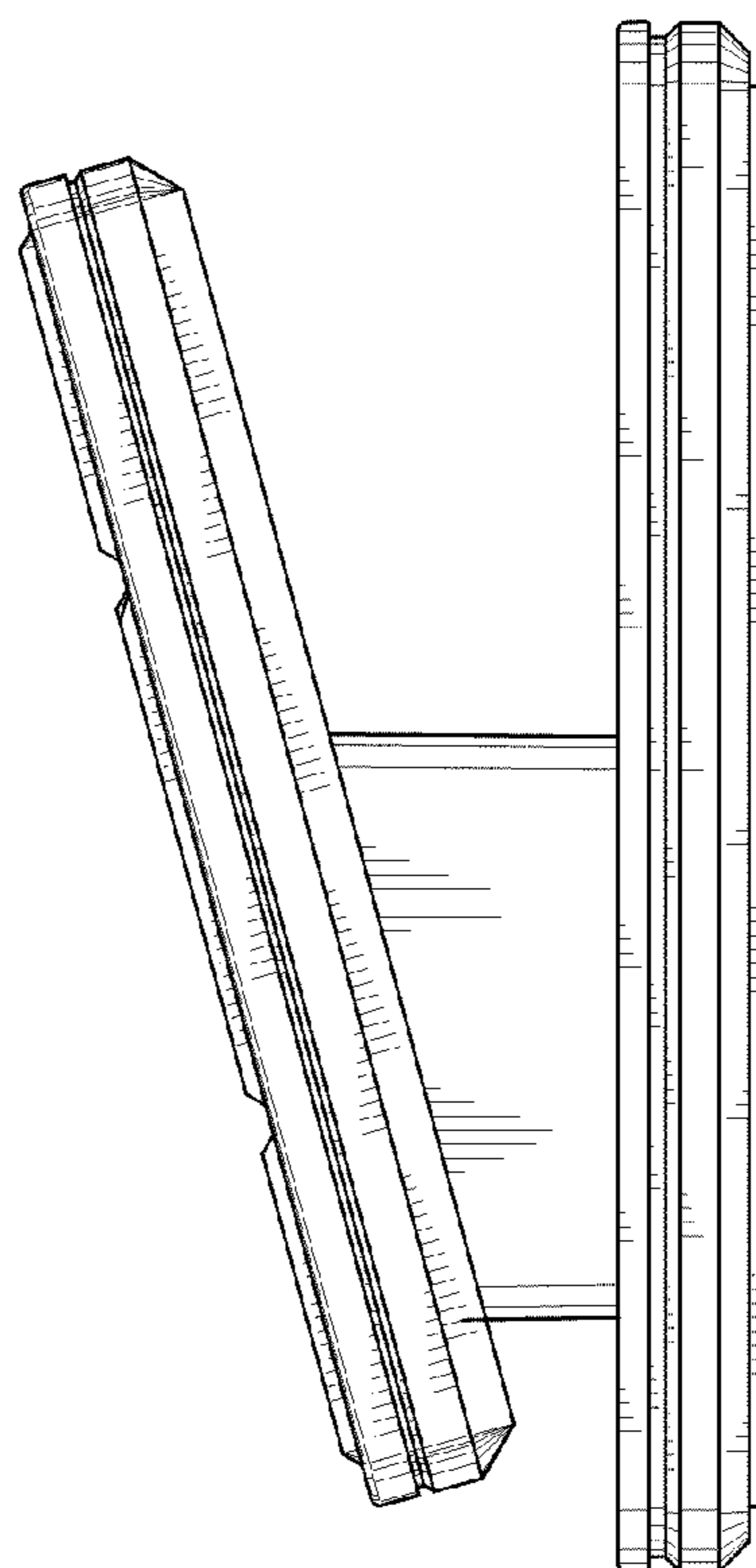


Fig. 4

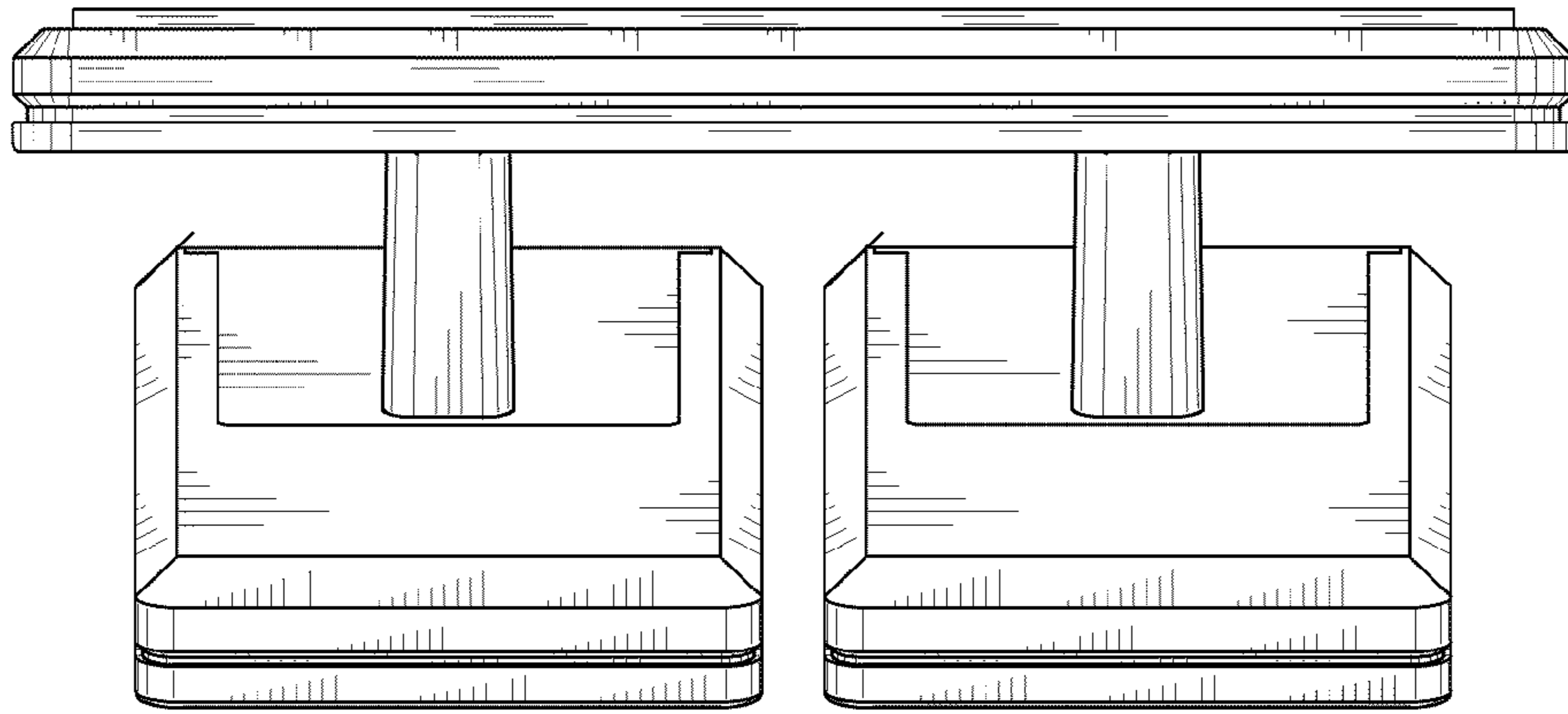


Fig. 5

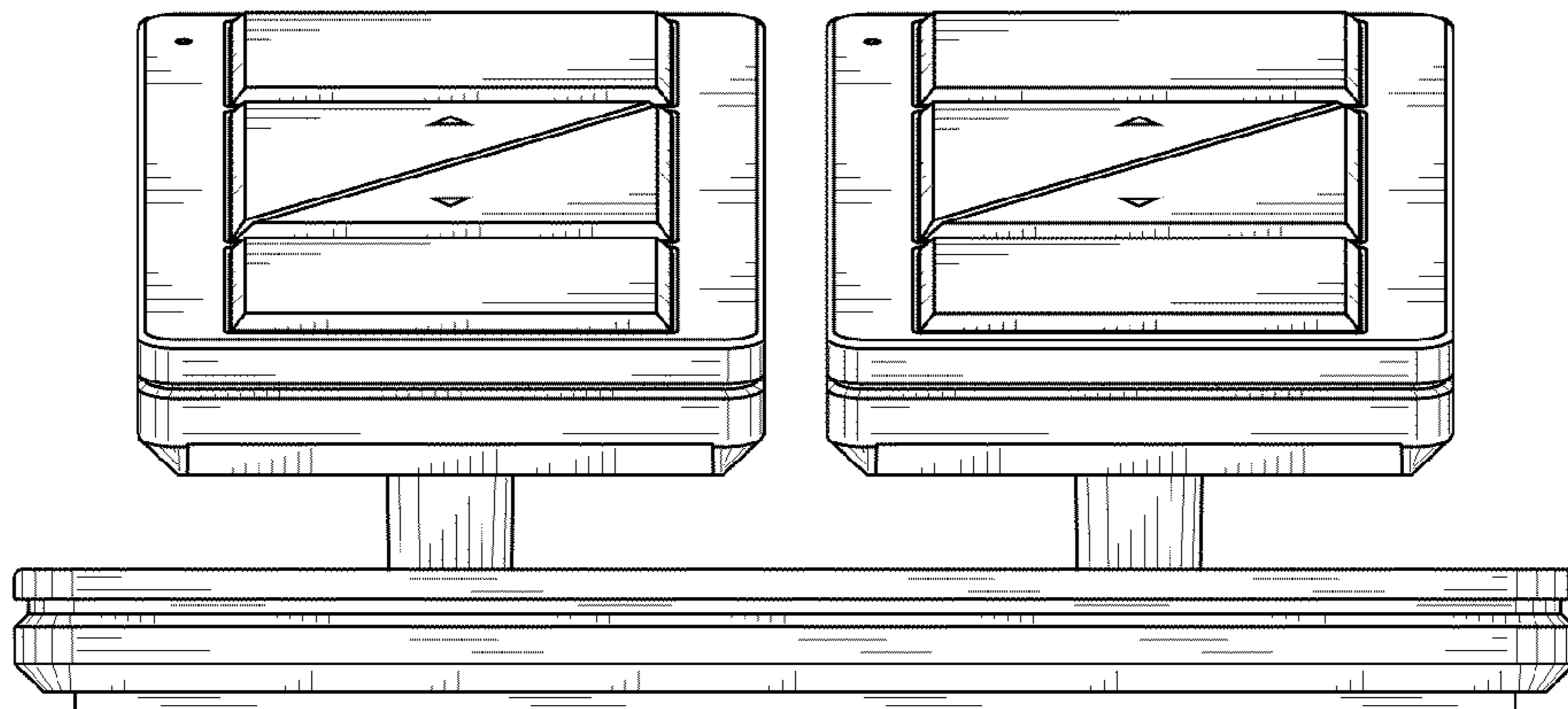


Fig. 6

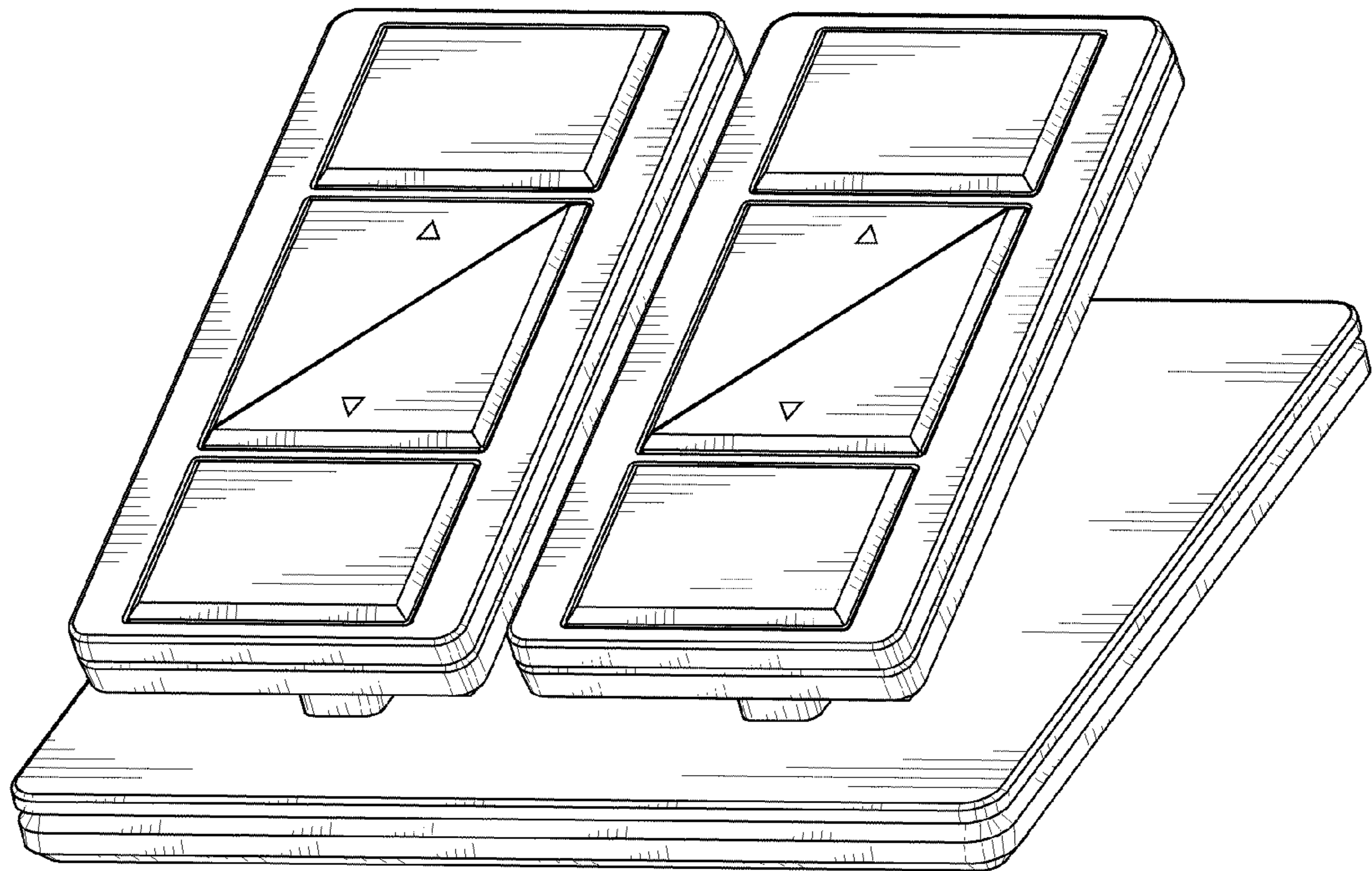


Fig. 7

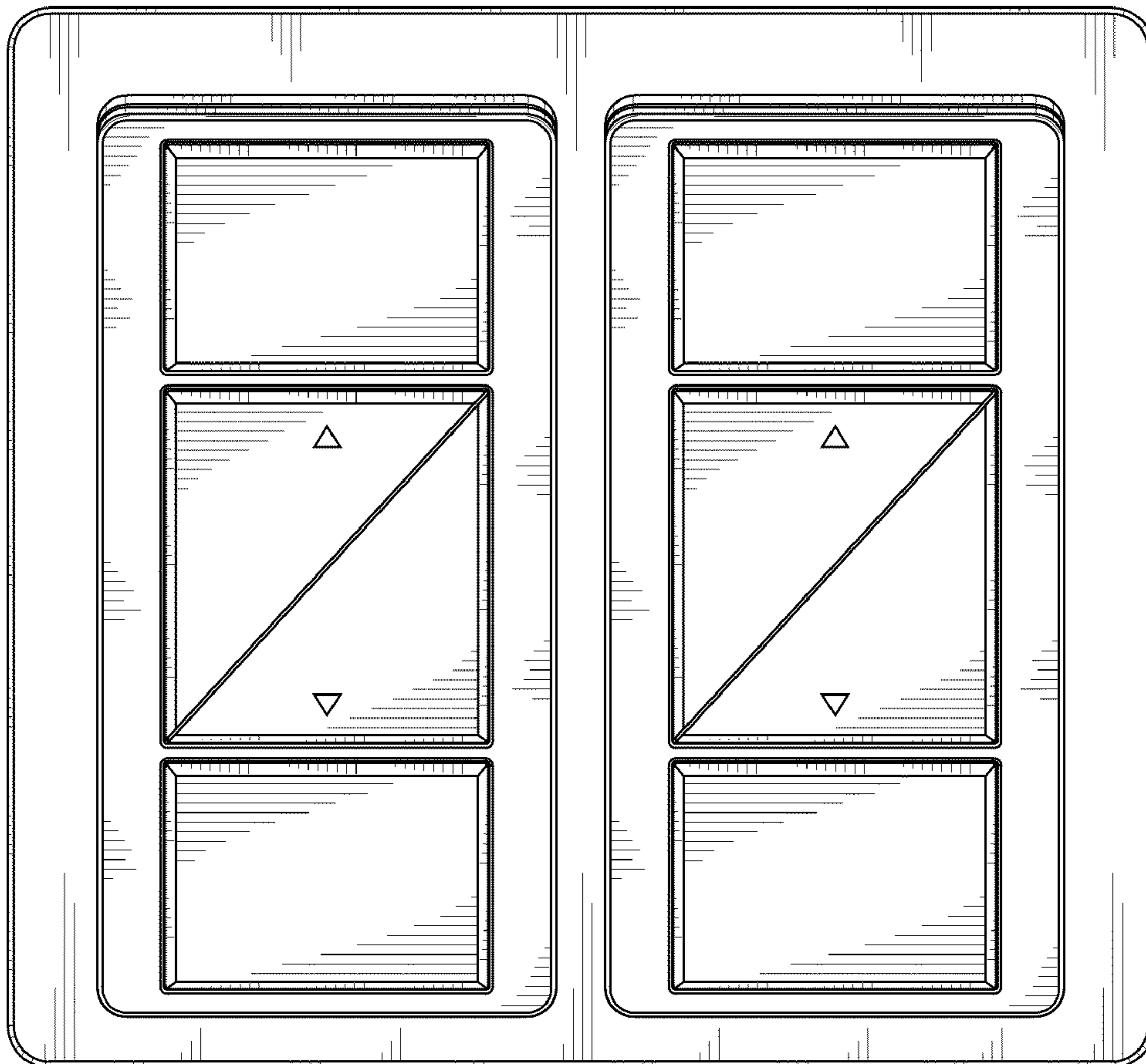


Fig. 8

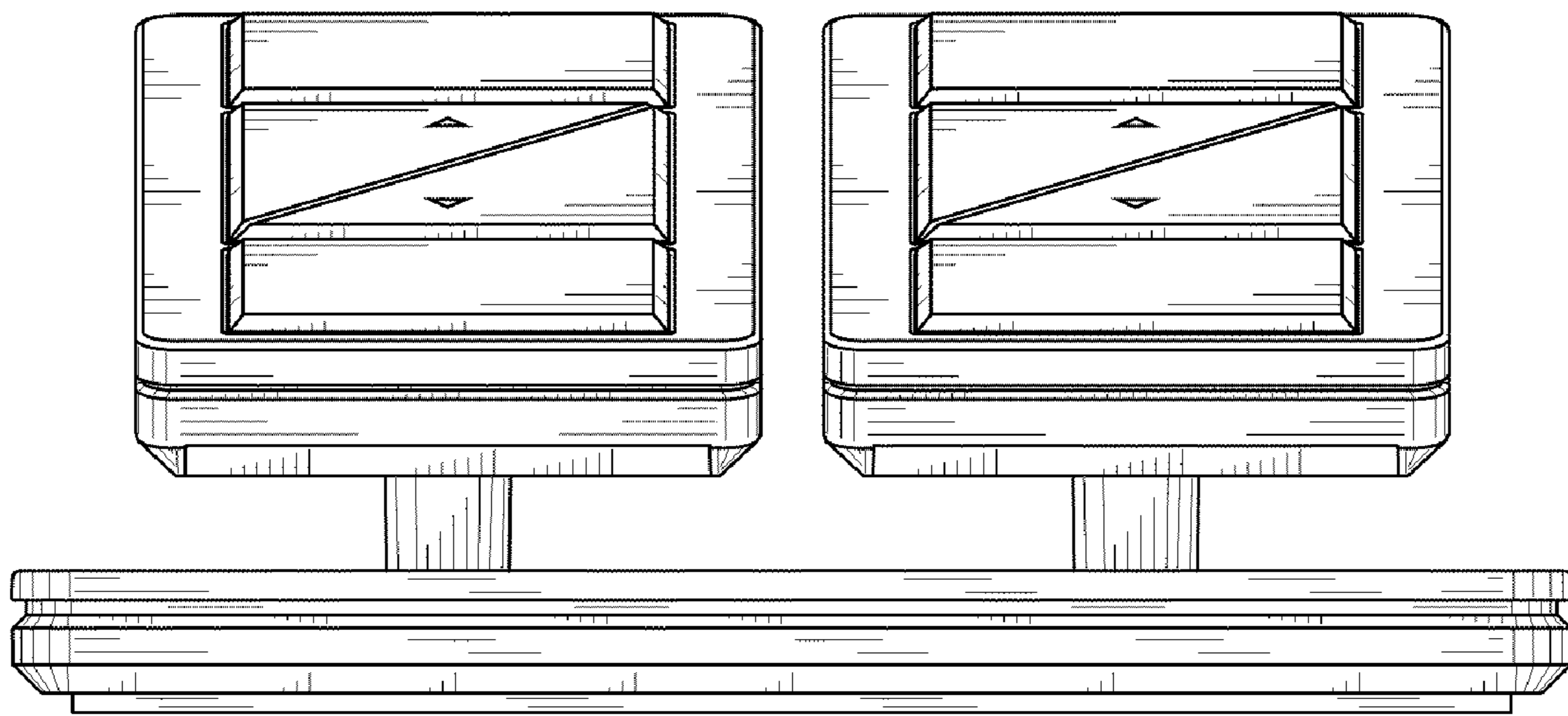


Fig. 9