



US00D658592S

(12) **United States Design Patent**  
**Kim**

(10) **Patent No.:** **US D658,592 S**

(45) **Date of Patent:** **\*\* May 1, 2012**

(54) **POWER SWITCH**

(75) Inventor: **Jeong Nam Kim**, Seoul (KR)

(73) Assignee: **Frostdale Co., Ltd.** (KR)

(\*\*) Term: **14 Years**

(21) Appl. No.: **29/394,749**

(22) Filed: **Jun. 21, 2011**

(51) **LOC (9) Cl.** ..... **13-03**

(52) **U.S. Cl.** ..... **D13/162**

(58) **Field of Classification Search** ..... D13/162,  
D13/164, 171, 174; 200/5 R, 5 A, 302.2,  
200/520, 530, 293, 296, 308, 310, 314, 329,  
200/341; 307/139, 157; 315/209 R, 224,  
315/246, 291, 294, 295

See application file for complete search history.

(56) **References Cited**

**U.S. PATENT DOCUMENTS**

5,586,048	A *	12/1996	Coveley	702/189
5,986,358	A *	11/1999	Hsieh	307/117
D460,922	S *	7/2002	Amborn et al.	D10/49
D552,040	S *	10/2007	Girard	D13/162
D564,457	S *	3/2008	Billings et al.	D13/164
D581,369	S *	11/2008	Egea Soler	D13/162

D594,422	S *	6/2009	Nichols et al.	D13/162
D607,842	S *	1/2010	Rinna	D13/162
8,053,994	B2 *	11/2011	Liu et al.	315/159
2010/0237783	A1 *	9/2010	Dupre et al.	315/149

\* cited by examiner

*Primary Examiner* — Selina Sikder

(74) *Attorney, Agent, or Firm* — Cantor Colburn LLP

(57) **CLAIM**

The ornamental design for a power switch, as shown and described.

**DESCRIPTION**

FIG. 1 is a perspective view of a power switch showing my new design;

FIG. 2 is a front view thereof;

FIG. 3 is a rear view thereof;

FIG. 4 is a right side view thereof;

FIG. 5 is a left side view thereof;

FIG. 6 is a top plan view thereof;

FIG. 7 is a bottom plan view thereof; and,

FIG. 8 is an illustrative view of the power switch installed in a position of use.

The broken lines are shown for illustrative purposes only and form no part of the claimed design.

**1 Claim, 7 Drawing Sheets**

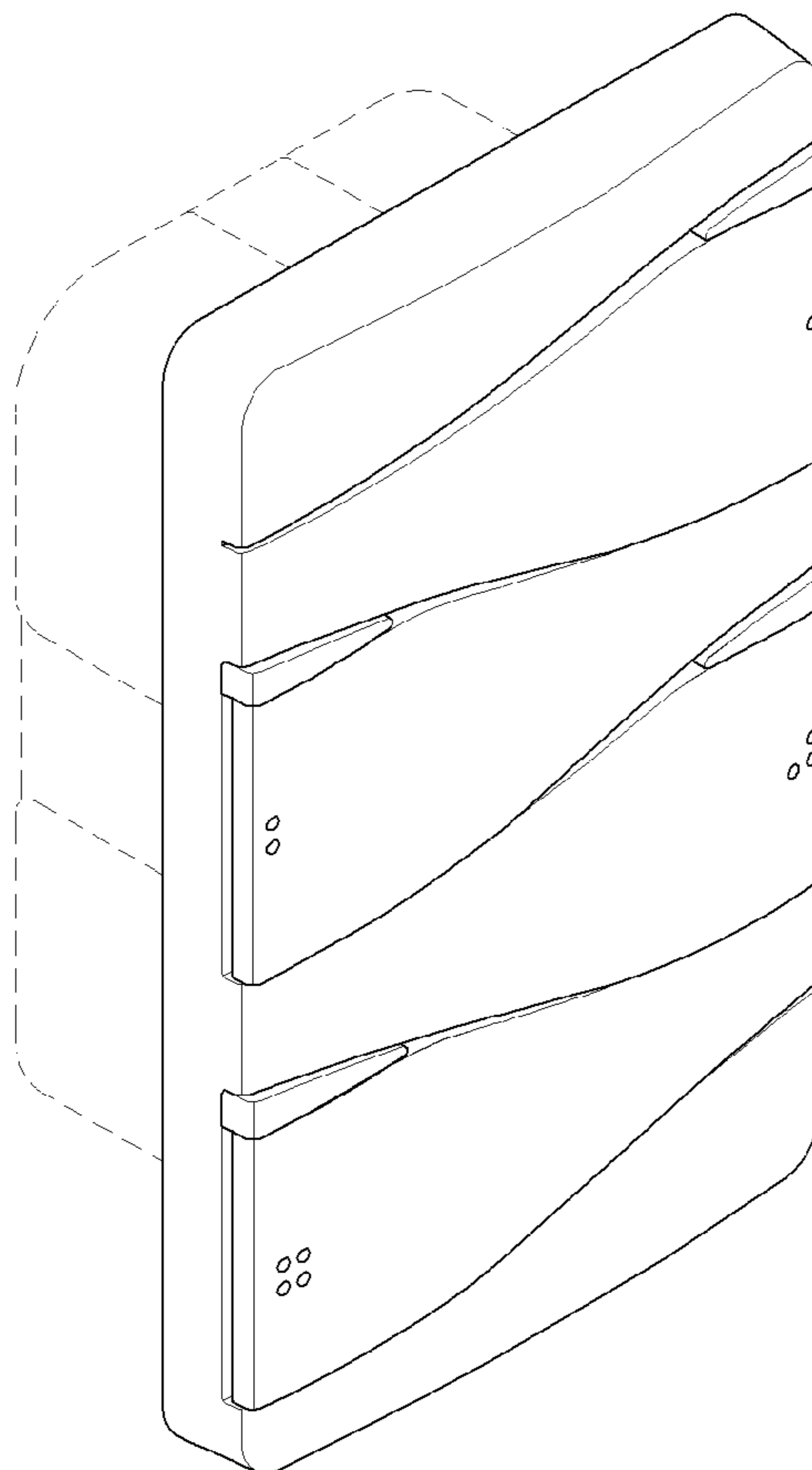


FIG. 1

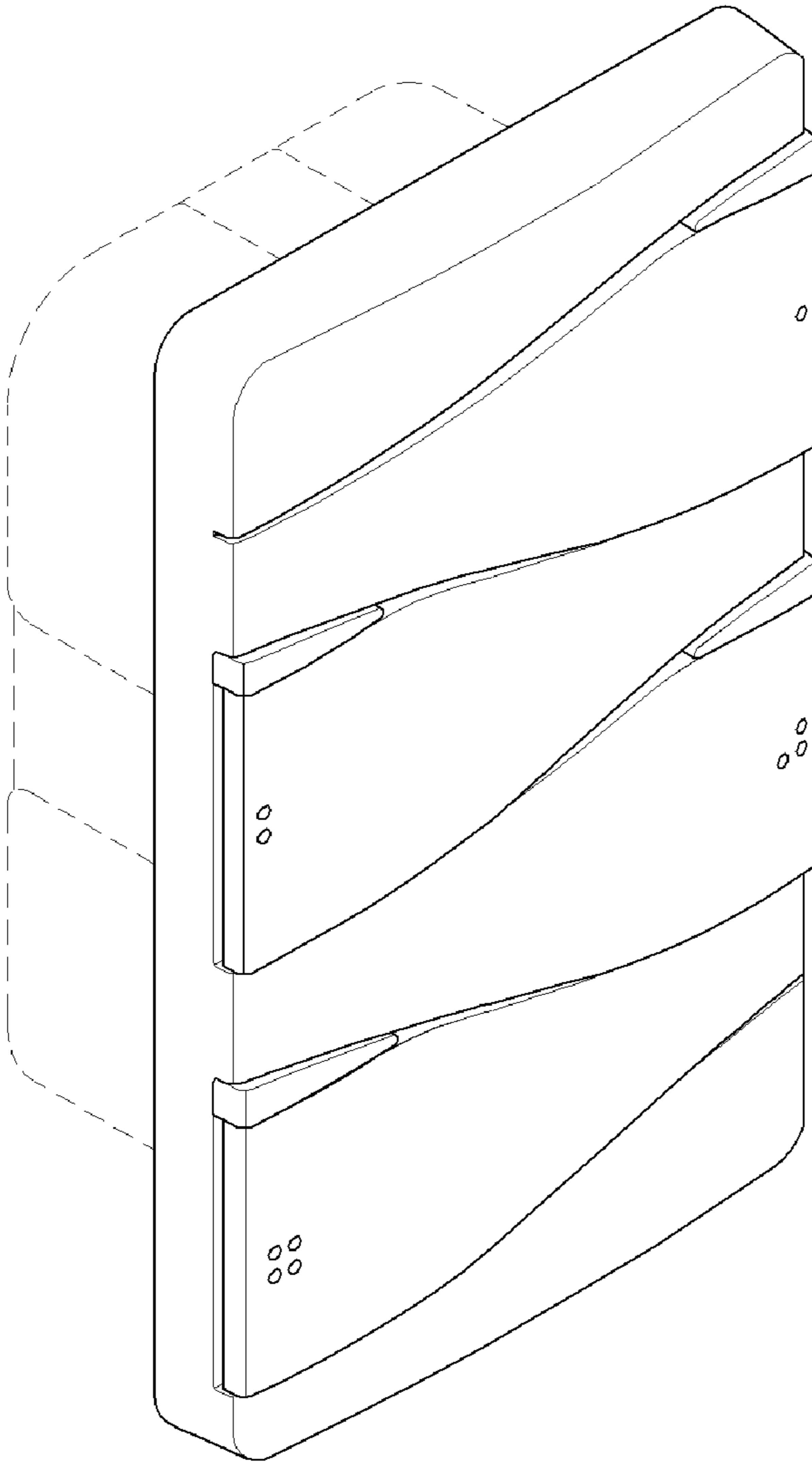


FIG. 2

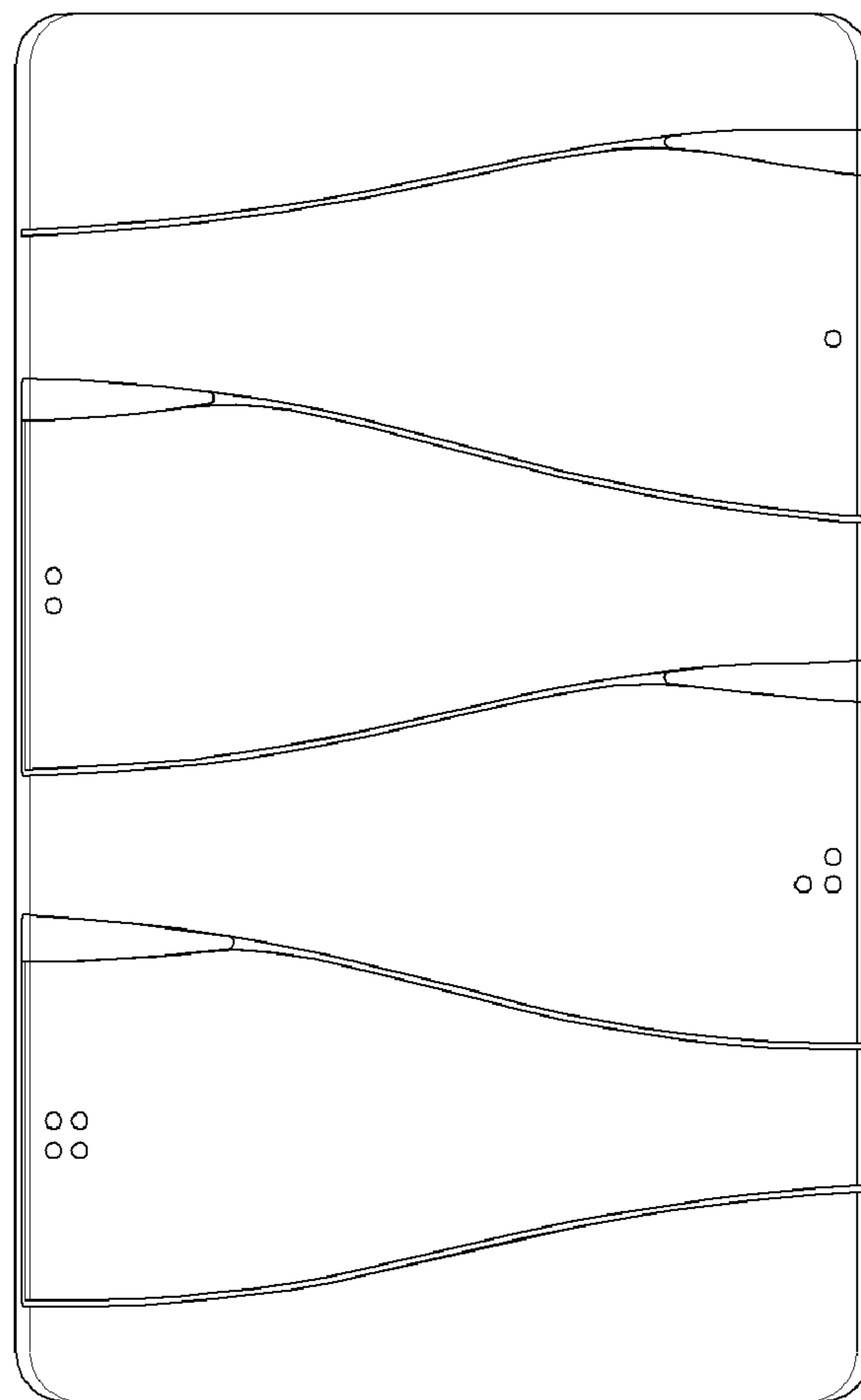


FIG. 3

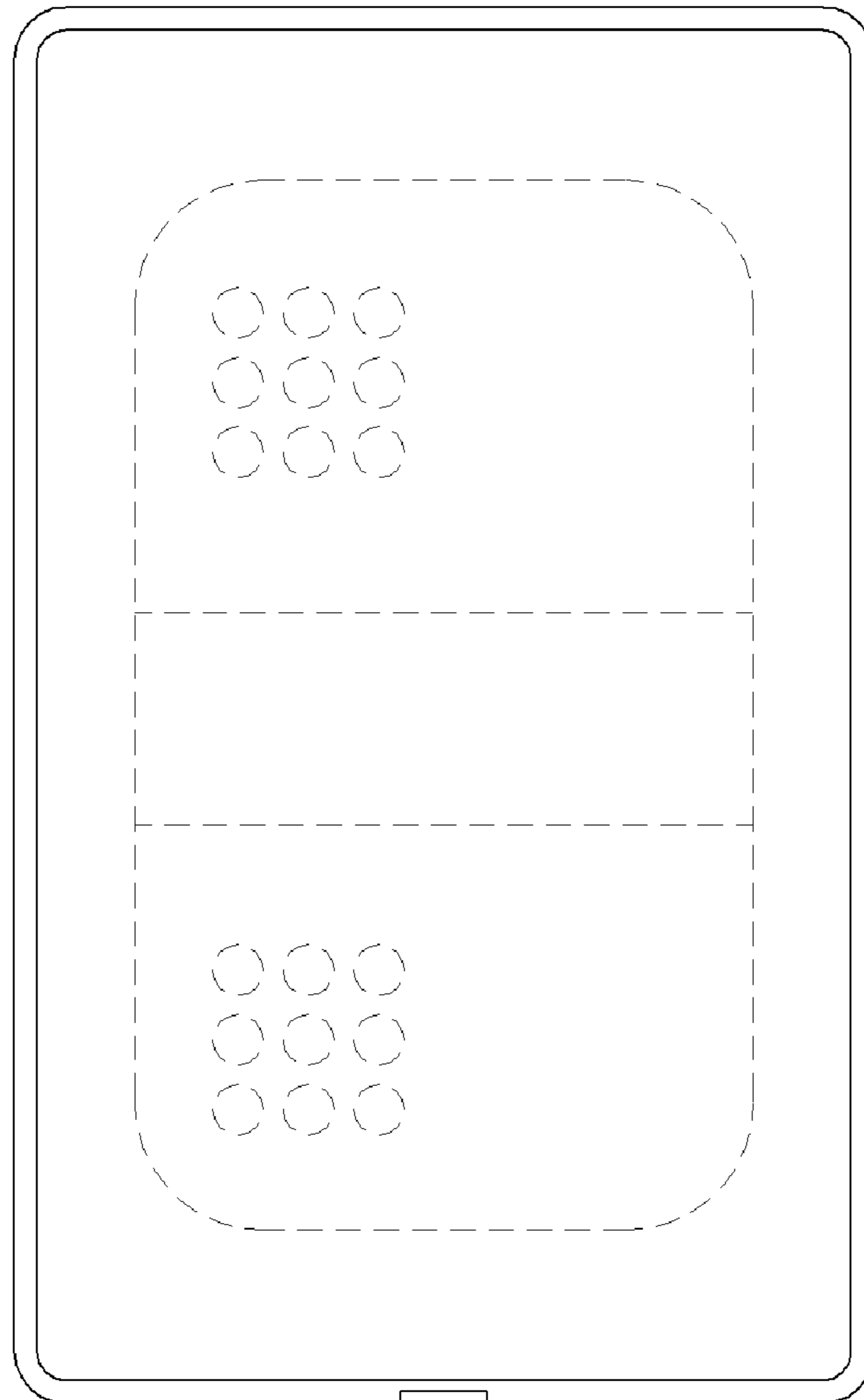


FIG. 4

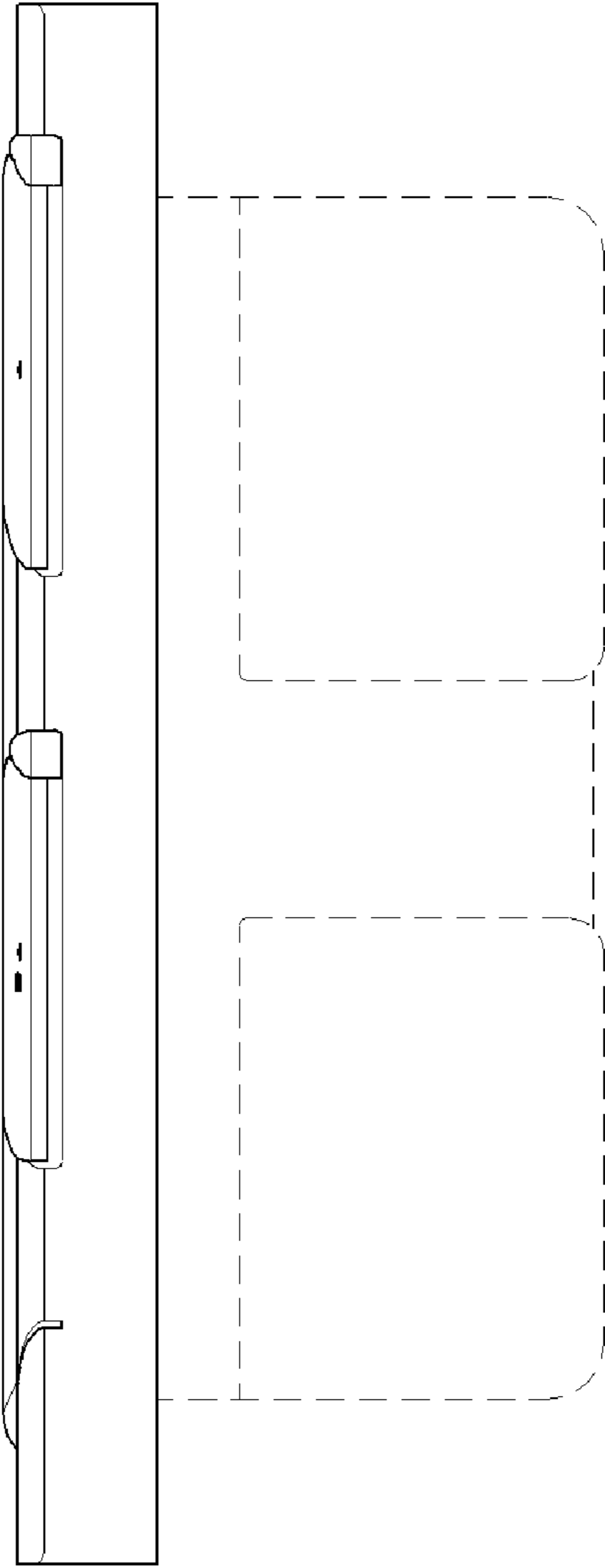


FIG. 5

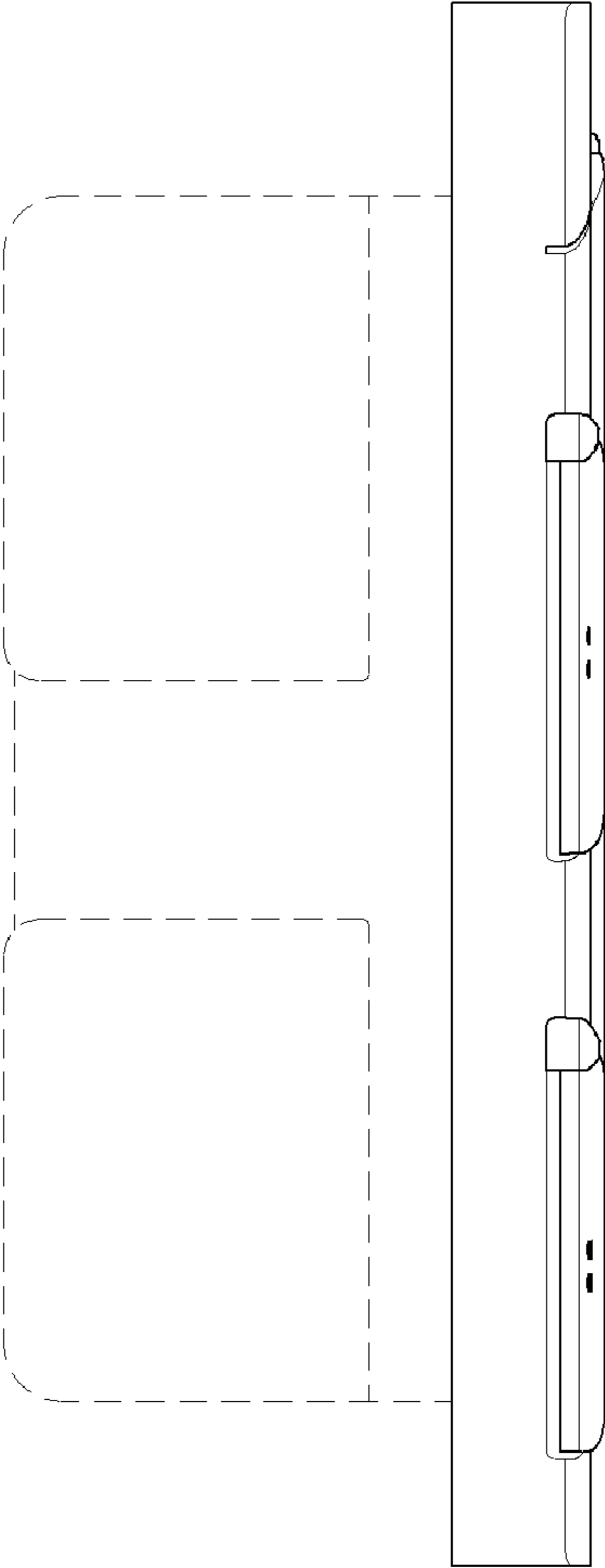


FIG. 6

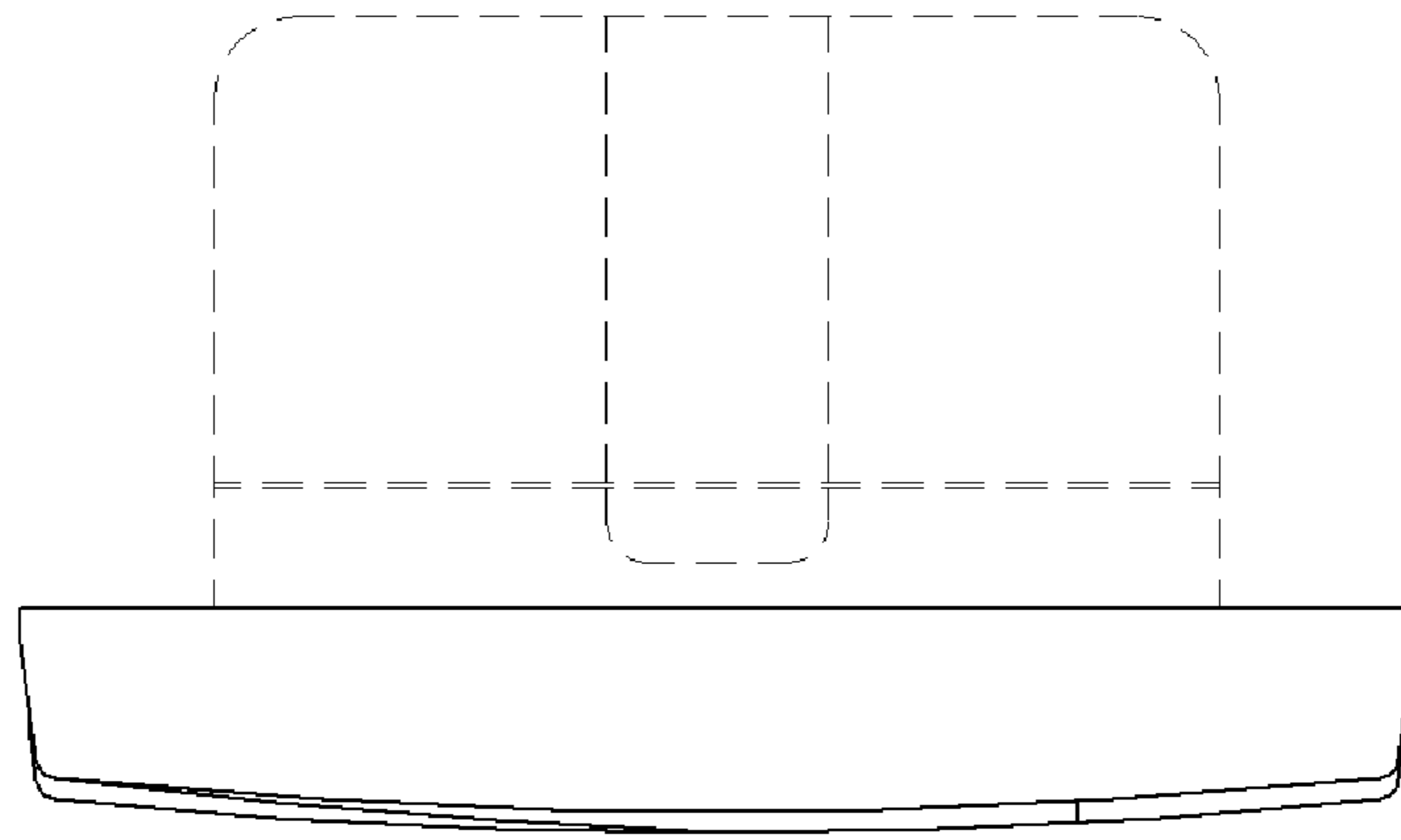


FIG. 7

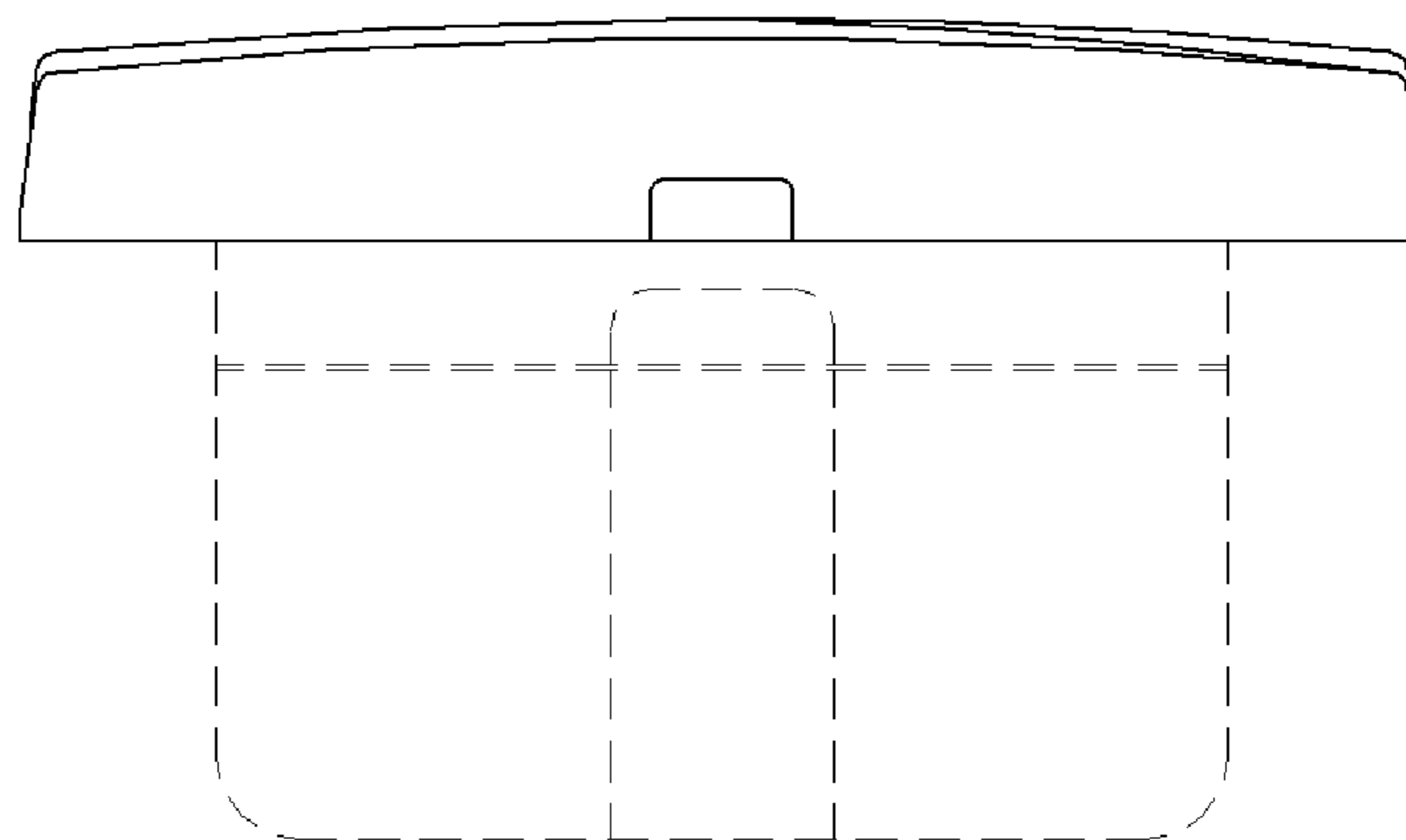


FIG. 8

