



US00D658591S

(12) **United States Design Patent**
Margolin et al.

(10) **Patent No.:** **US D658,591 S**

(45) **Date of Patent:** **** *May 1, 2012**

(54) **DYNAMIC KEYPAD FOR CONTROLLING ELECTRICAL LOADS**

7,250,579 B2 * 7/2007 Ahlers et al. 200/329
7,271,338 B1 * 9/2007 Rohmer 174/66
D570,299 S 6/2008 Jacoby et al.

(Continued)

(75) Inventors: **Lauren B. Margolin**, Macungie, PA (US); **Jennifer S. Wilkinson**, Center Valley, PA (US); **Jason C. Killo**, Emmaus, PA (US); **Gregory Altonen**, Easton, PA (US); **Elliot G. Jacoby**, Glenside, PA (US); **Joel S. Spira**, Coopersburg, PA (US)

OTHER PUBLICATIONS

Sonos, Inc., Sonos Controller 200 Data Sheet, Jul. 2009, 2 pages.
AMX Corporation, Mio Modero DMS Keypads Specification Sheet, 2006, 2 pages.
Schneider Electric, Square D Clipsal Neo Keypads with DLT Specification Sheet, 2006, 2 pages.

(Continued)

(73) Assignee: **Lutron Electronics Co., Inc.**, Coopersburg, PA (US)

Primary Examiner — Selina Sikder

(*) Notice: This patent is subject to a terminal disclaimer.

(74) *Attorney, Agent, or Firm* — Mark E. Rose; Philip N. Smith; Bridget L. McDonough

(**) Term: **14 Years**

(57) **CLAIM**

(21) Appl. No.: **29/375,102**

We claim the ornamental design for a dynamic keypad for controlling electrical loads, as shown and described.

(22) Filed: **Sep. 17, 2010**

DESCRIPTION

(51) **LOC (9) Cl.** **13-03**

FIG. 1 is a perspective view of a dynamic keypad for controlling electrical loads according to a first embodiment of our new design.

(52) **U.S. Cl.** **D13/162; D13/164**

FIG. 2 is a front view thereof.

(58) **Field of Classification Search** D13/162,

FIG. 3 is a left side view thereof.

D13/164, 174; 174/66; 200/310, 313, 317,

FIG. 4 is a right side view thereof.

200/329, 333, 341; 315/291, 297

FIG. 5 is a top view thereof.

See application file for complete search history.

FIG. 6 is a bottom view thereof.

(56) **References Cited**

FIG. 7 is a perspective view of a dynamic keypad for controlling electrical loads according to a second embodiment of our new design.

U.S. PATENT DOCUMENTS

FIG. 8 is a front view thereof.

D191,047 S * 8/1961 Baxendell D8/353

FIG. 9 is a left side view thereof.

D287,006 S 12/1986 Fletcher et al.

FIG. 10 is a right side view thereof.

D311,678 S * 10/1990 Graef et al. D8/353

FIG. 11 is a top view thereof; and,

5,510,587 A * 4/1996 Reiter 200/341

FIG. 12 is a bottom view thereof.

6,026,605 A * 2/2000 Tippett 40/725

The portions of the drawings appearing in broken line are for environment only and do not form a part of the claimed design. The rear views form no part of the design and are omitted.

D421,399 S 3/2000 Bennett et al.

D431,199 S 9/2000 Bennett et al.

6,459,250 B1 * 10/2002 Davis 323/352

D505,676 S 5/2005 Porter et al.

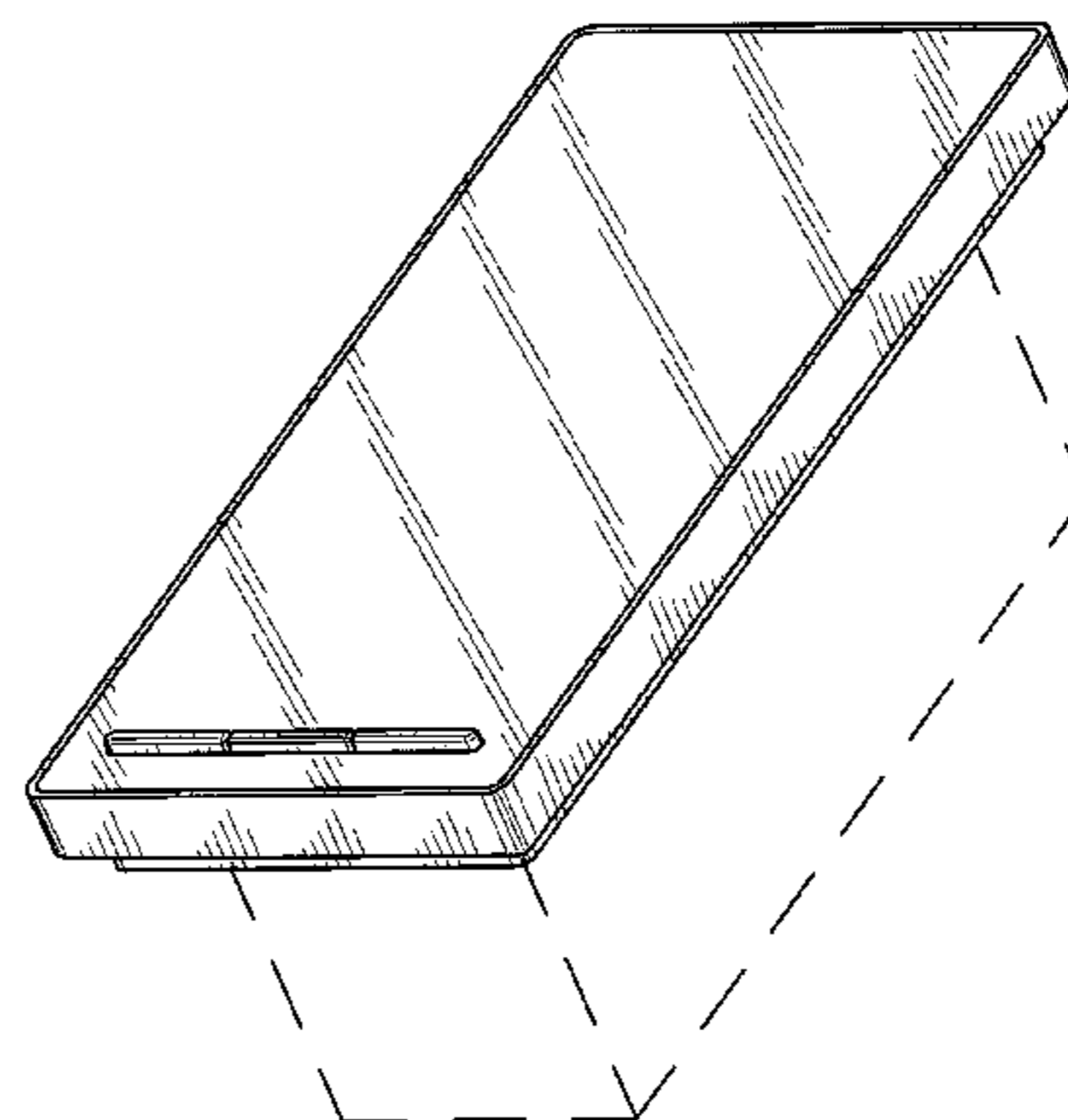
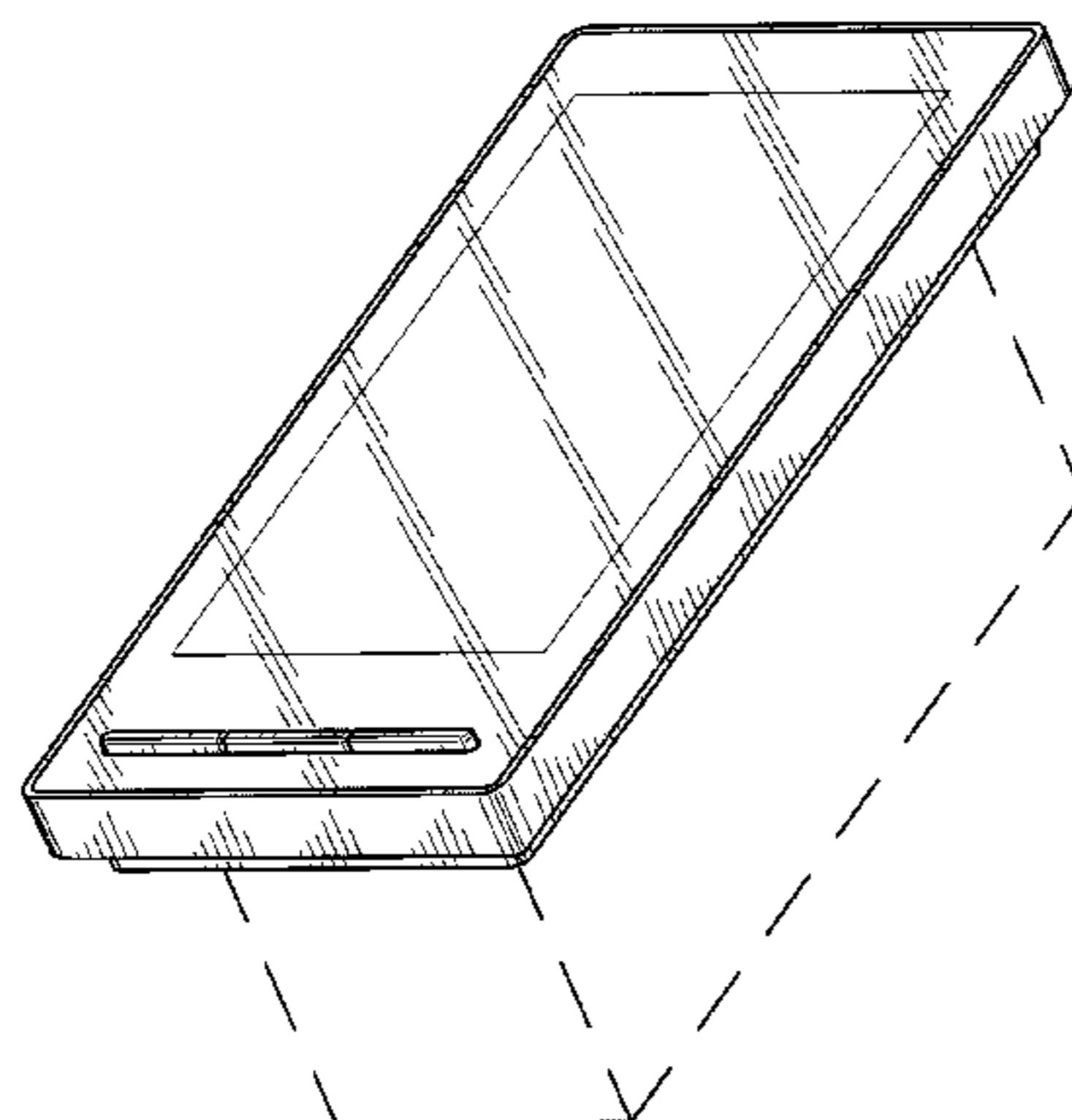
D524,251 S 7/2006 Lim et al.

7,119,297 B2 * 10/2006 Katagiri 200/345

7,122,753 B1 * 10/2006 Davis 200/331

D537,417 S 2/2007 Dukerschein et al.

1 Claim, 8 Drawing Sheets



US D658,591 S

Page 2

U.S. PATENT DOCUMENTS

D571,675 S 6/2008 Skaf et al.
D572,667 S 7/2008 Mayo et al.
D574,787 S * 8/2008 Hollner D13/162
D580,387 S 11/2008 Andre et al.
D581,879 S 12/2008 Dukerschein et al.
D586,800 S 2/2009 Andre et al.
D595,240 S * 6/2009 Busbridge D13/171
7,547,119 B2 * 6/2009 Kuwana et al. 362/294
D602,486 S 10/2009 Andre et al.
D618,678 S 6/2010 Andre et al.
D620,004 S 7/2010 Andre et al.
D622,719 S 8/2010 Andre et al.
D622,720 S 8/2010 Andre et al.

7,786,399 B2 * 8/2010 Wang et al. 200/345
2005/0224329 A1 * 10/2005 Milo 200/341

OTHER PUBLICATIONS

Julie Jacobson, "Control4 InfinityEdge Priced, Designed Like iPad", CE Pro Magazine, Aug. 10, 2010, Retrieved from the Internet <URL: http://www.cepro.com/article/control4_infinityedge_priced_designed_like_ipad/>.

Crestron Electronics, Inc., Crestron Mobile e-Control Mobility Solution Sell Sheet, Mar. 2009, 1 sheet.

U.S. Appl. No. 29/342,975, filed Sep. 3, 2009, Margolin et al.

U.S. Appl. No. 29/368,570, filed Aug. 25, 2010, Margolin et al.

* cited by examiner

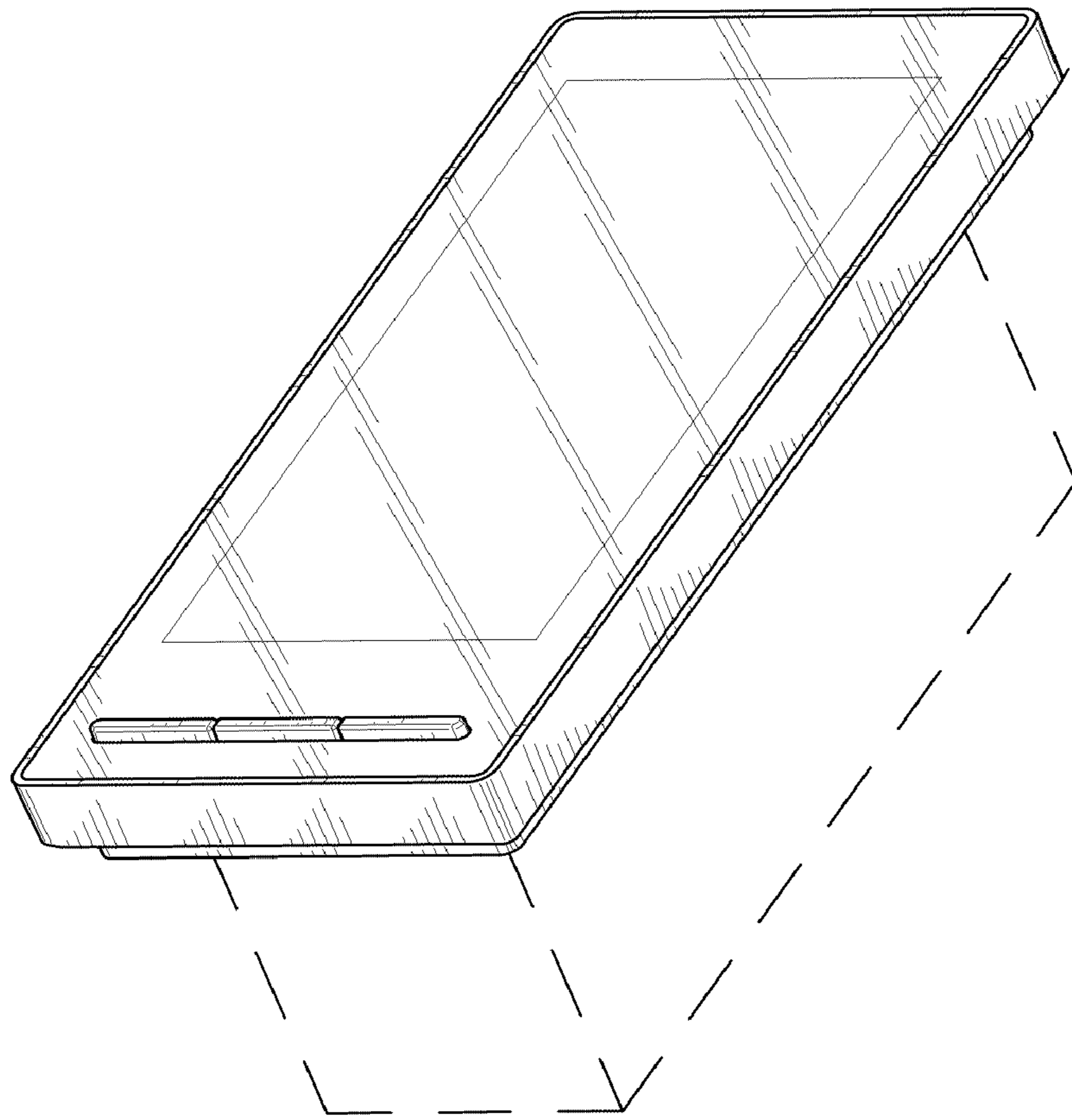


Fig. 1

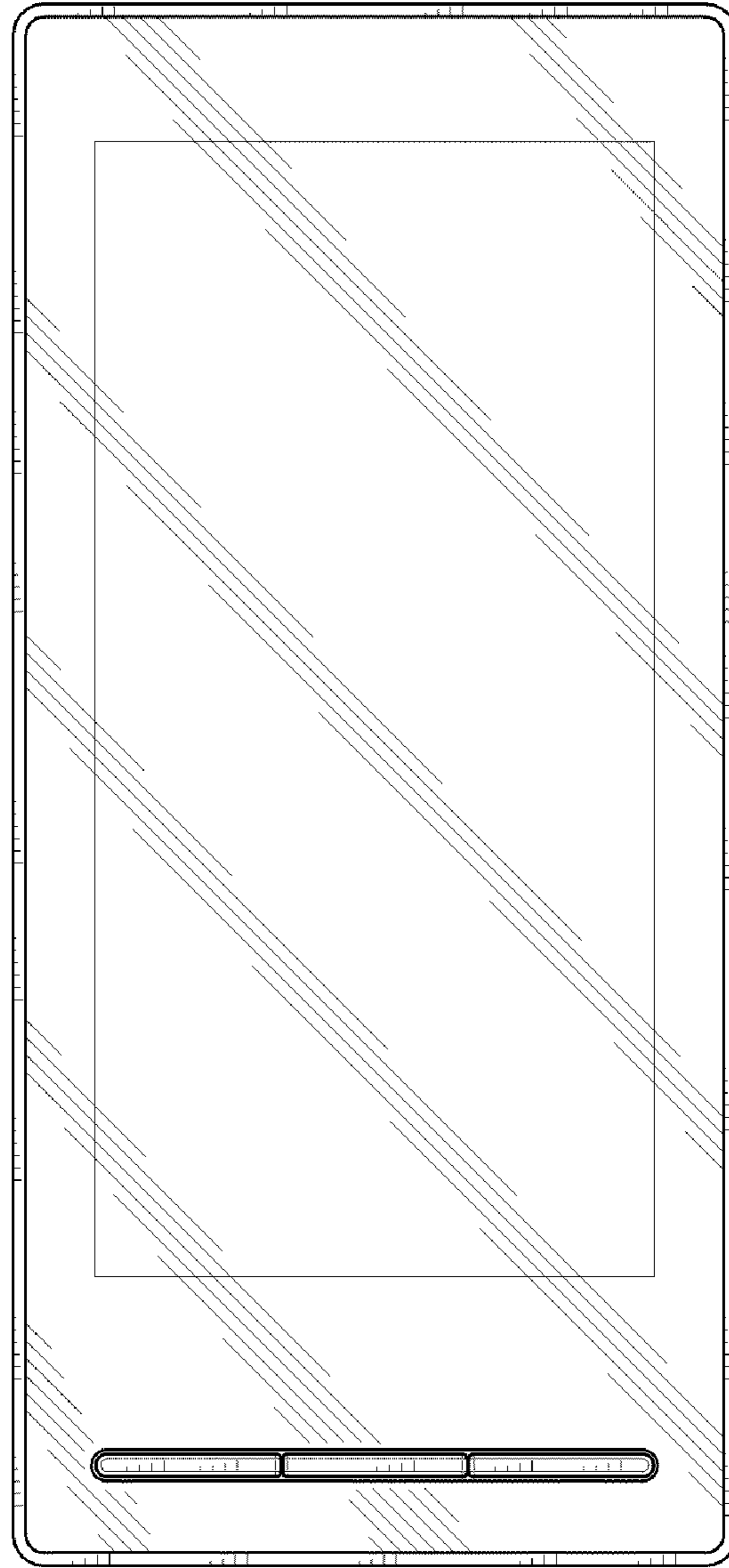


Fig. 2

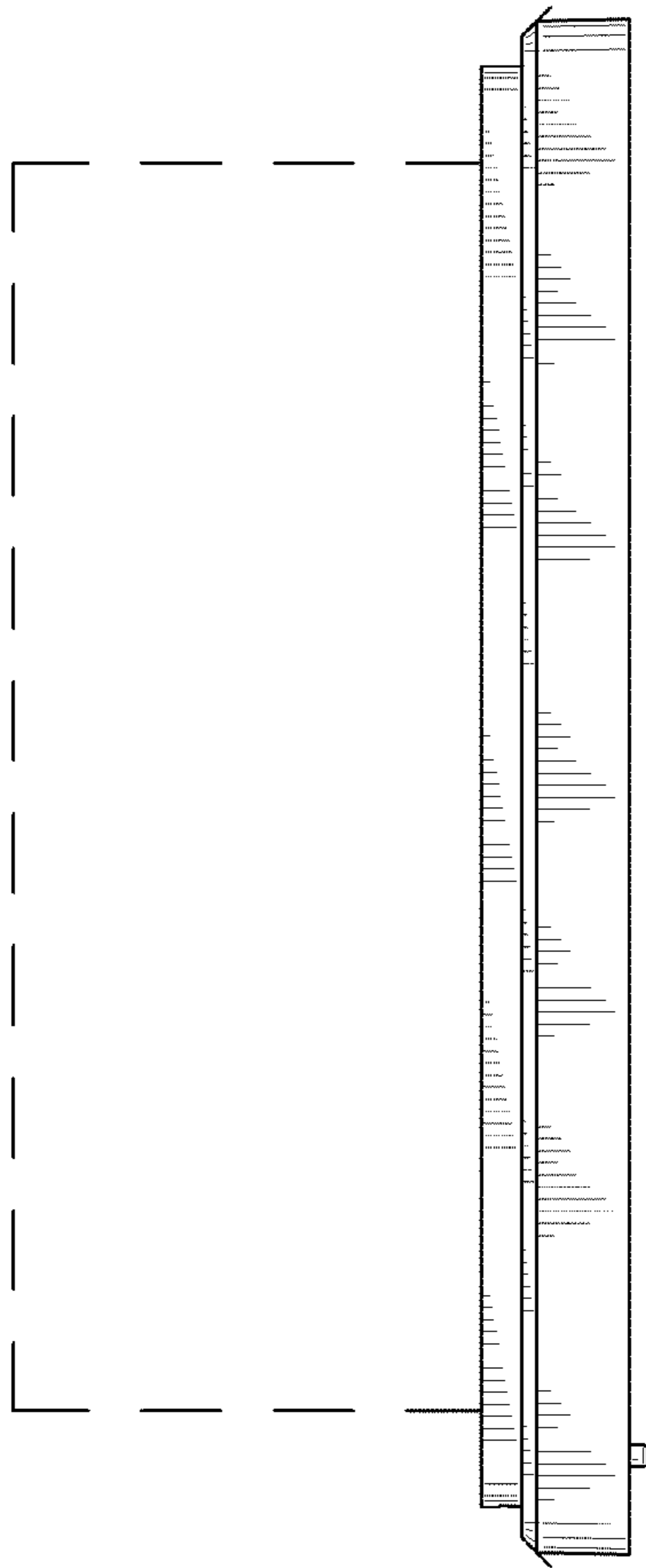


Fig. 3

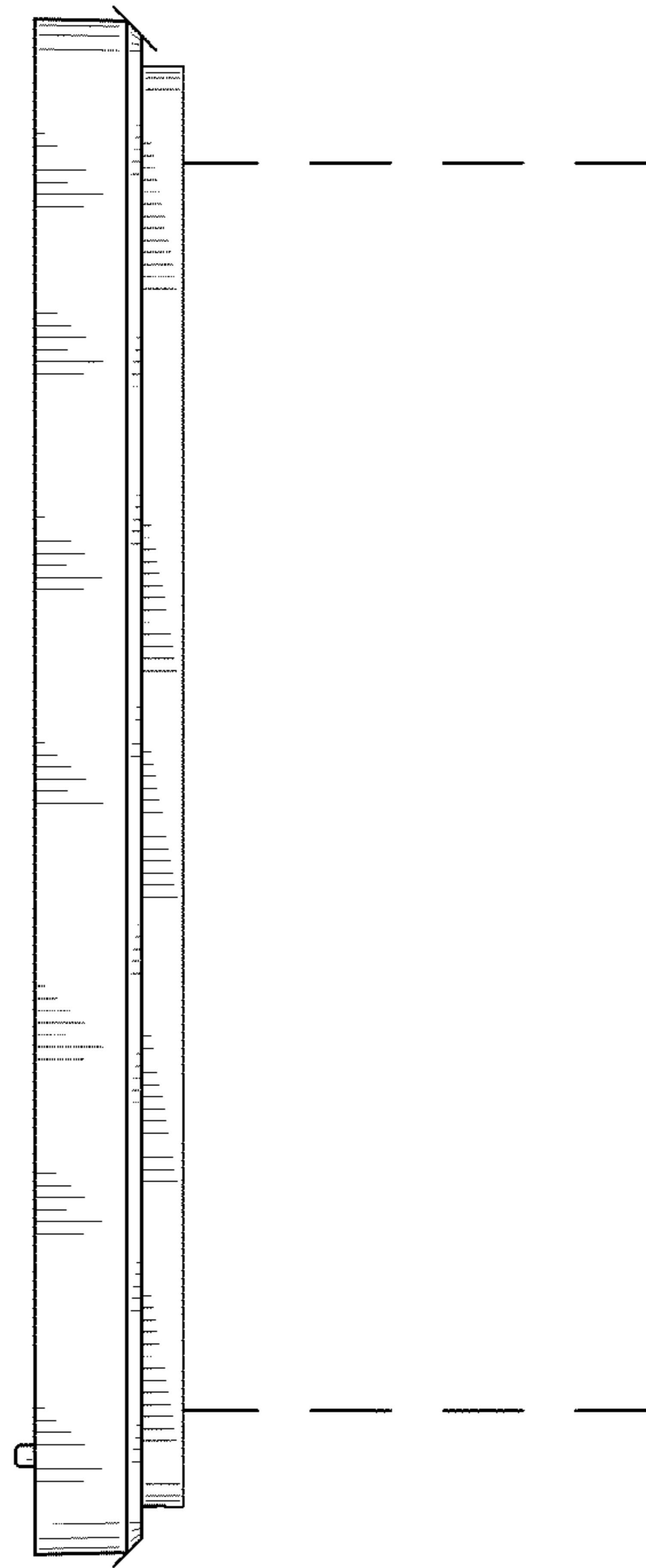


Fig. 4

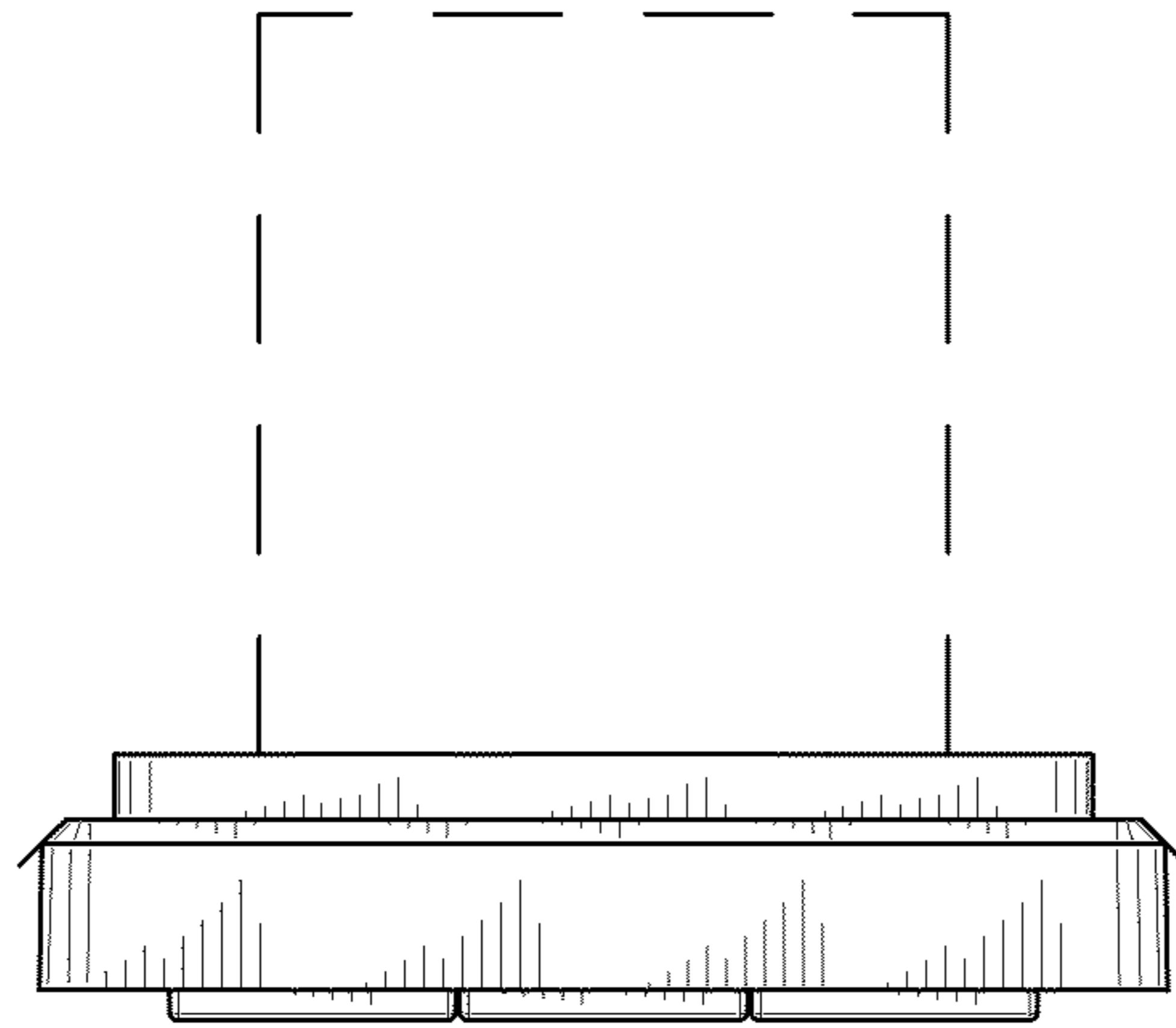


Fig. 5

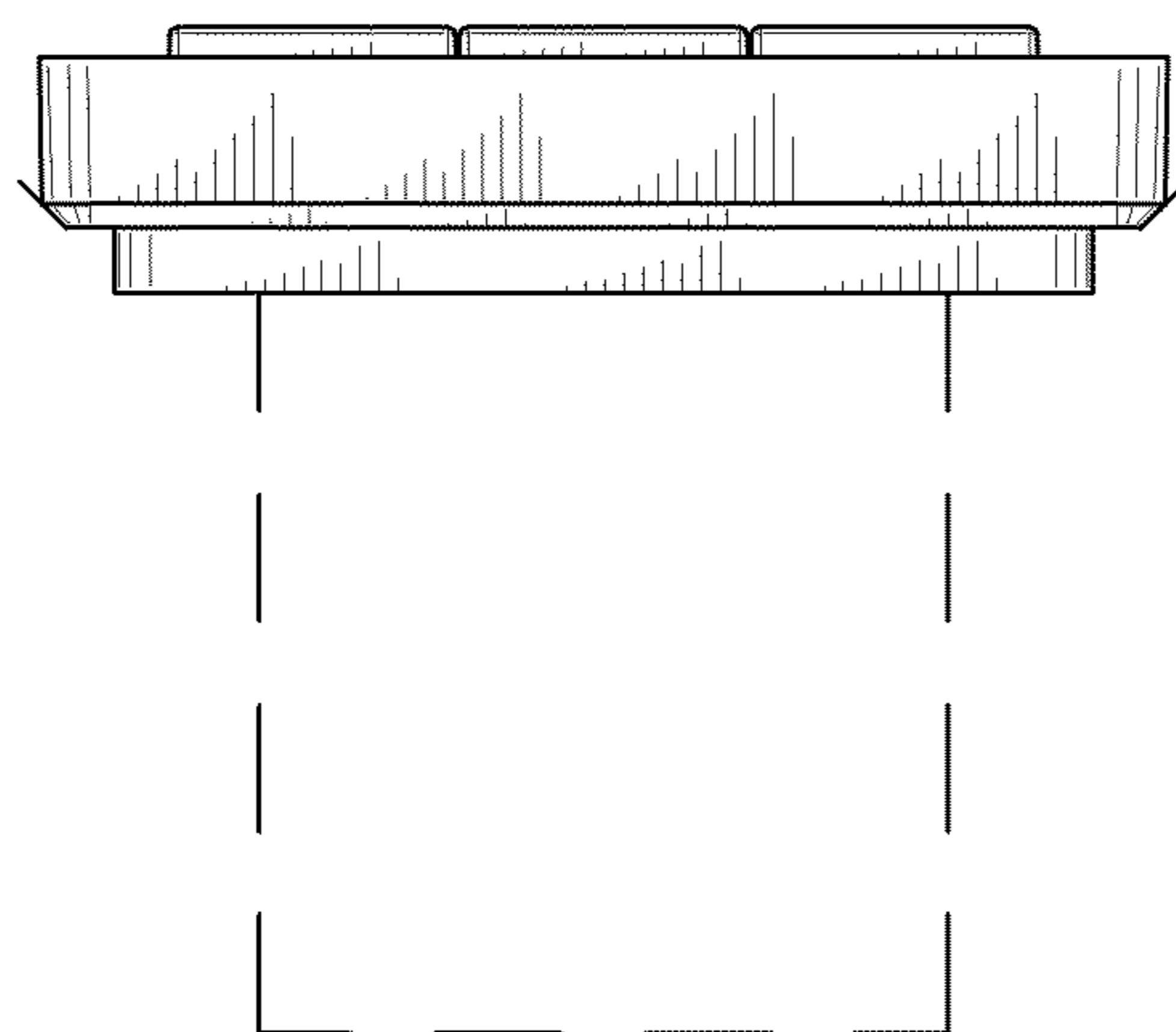


Fig. 6

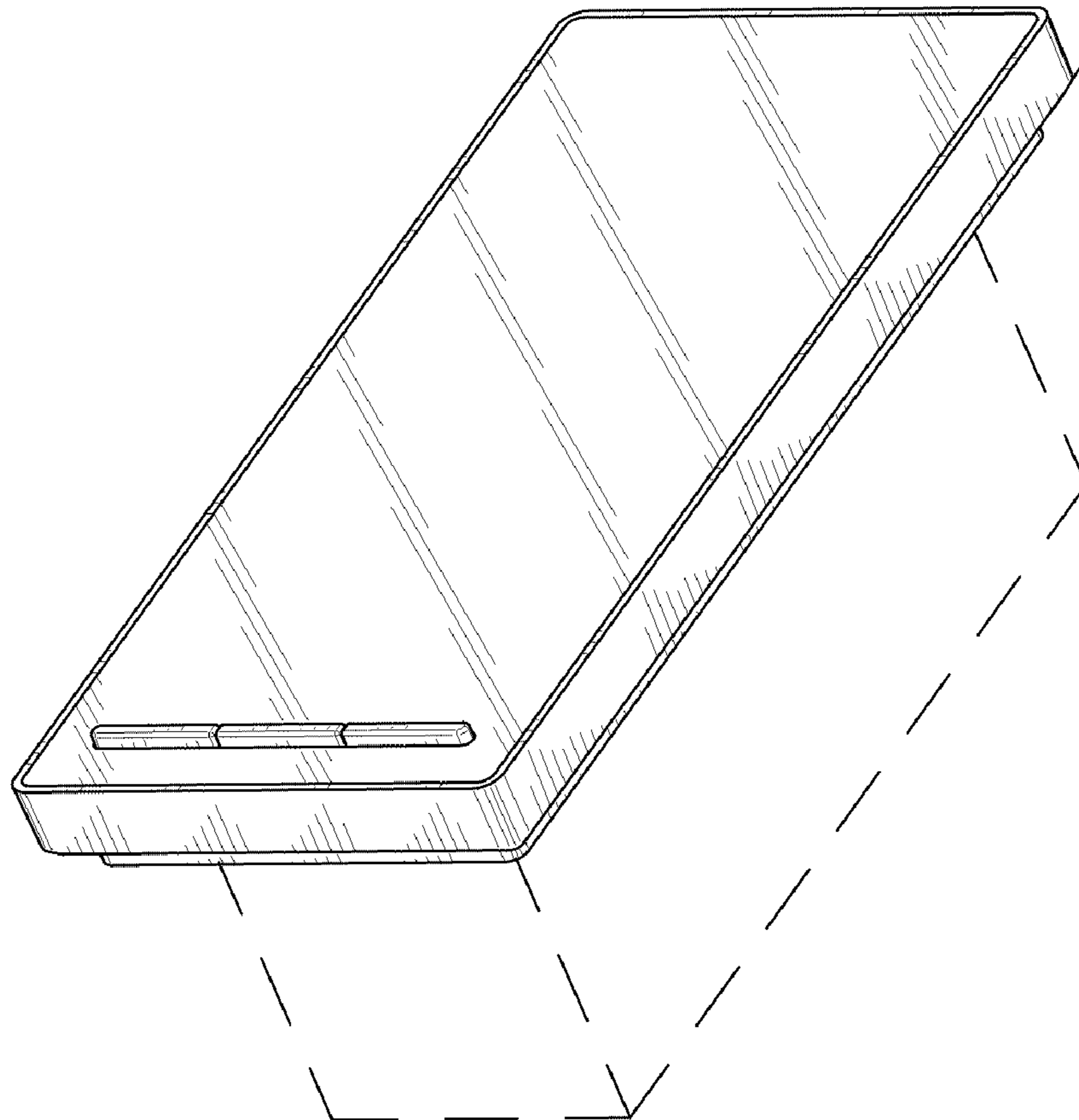


Fig. 7

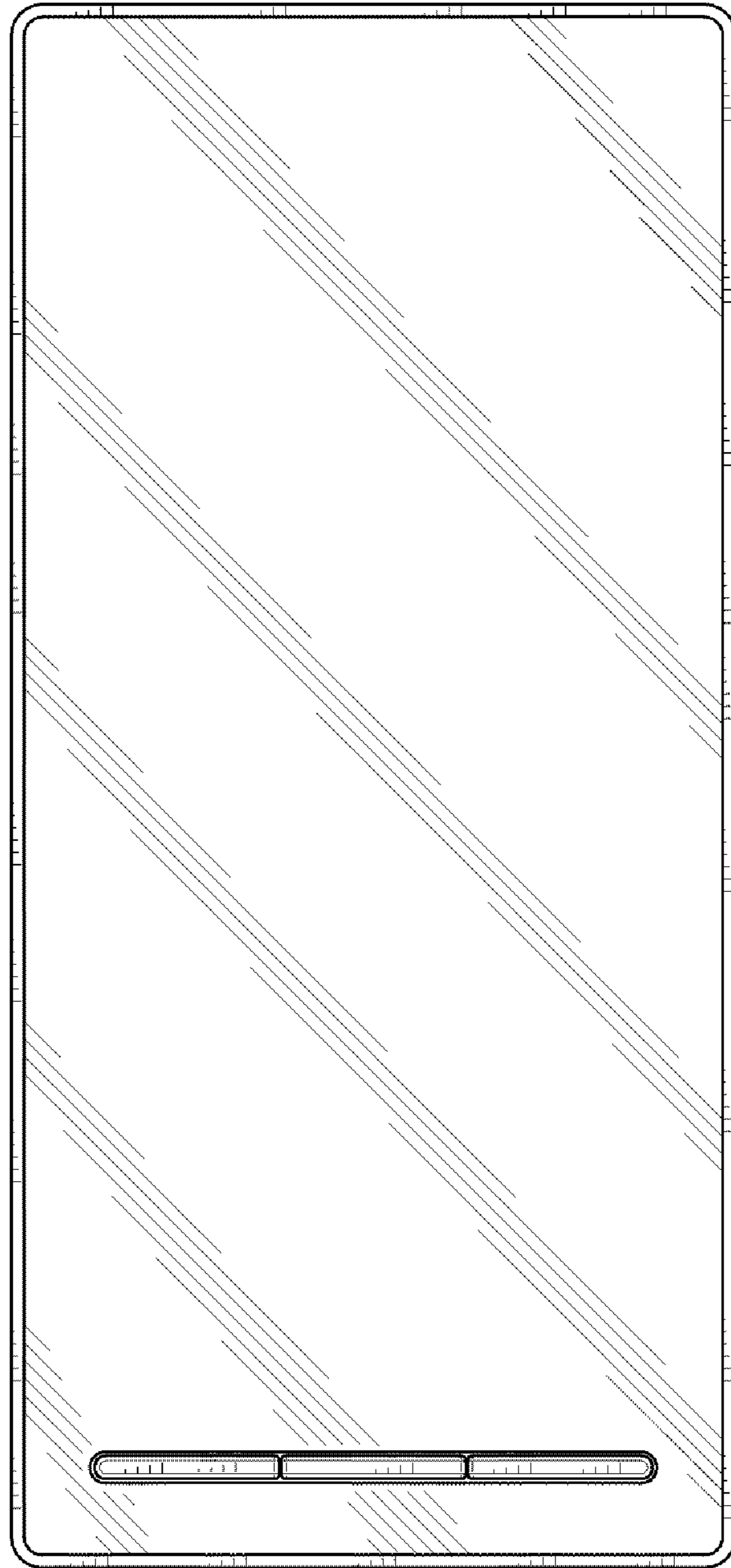


Fig. 8

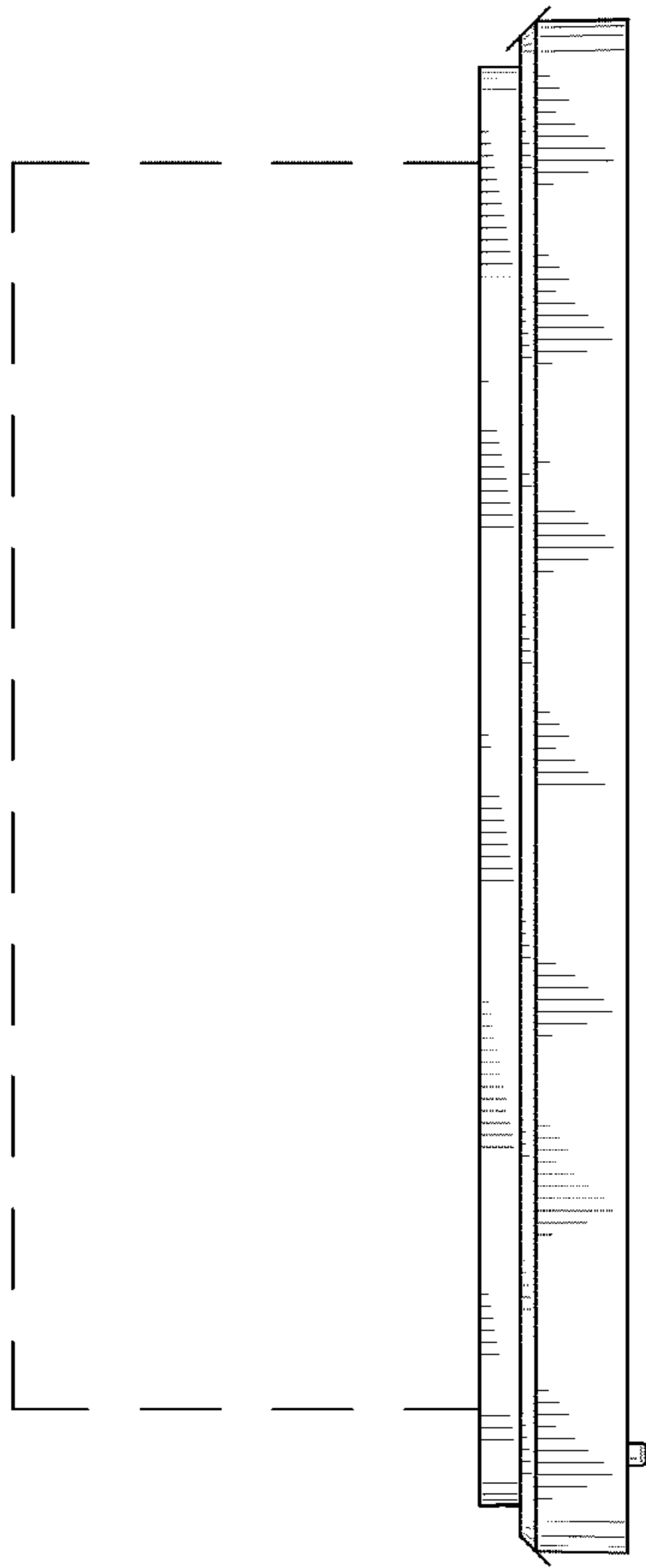


Fig. 9

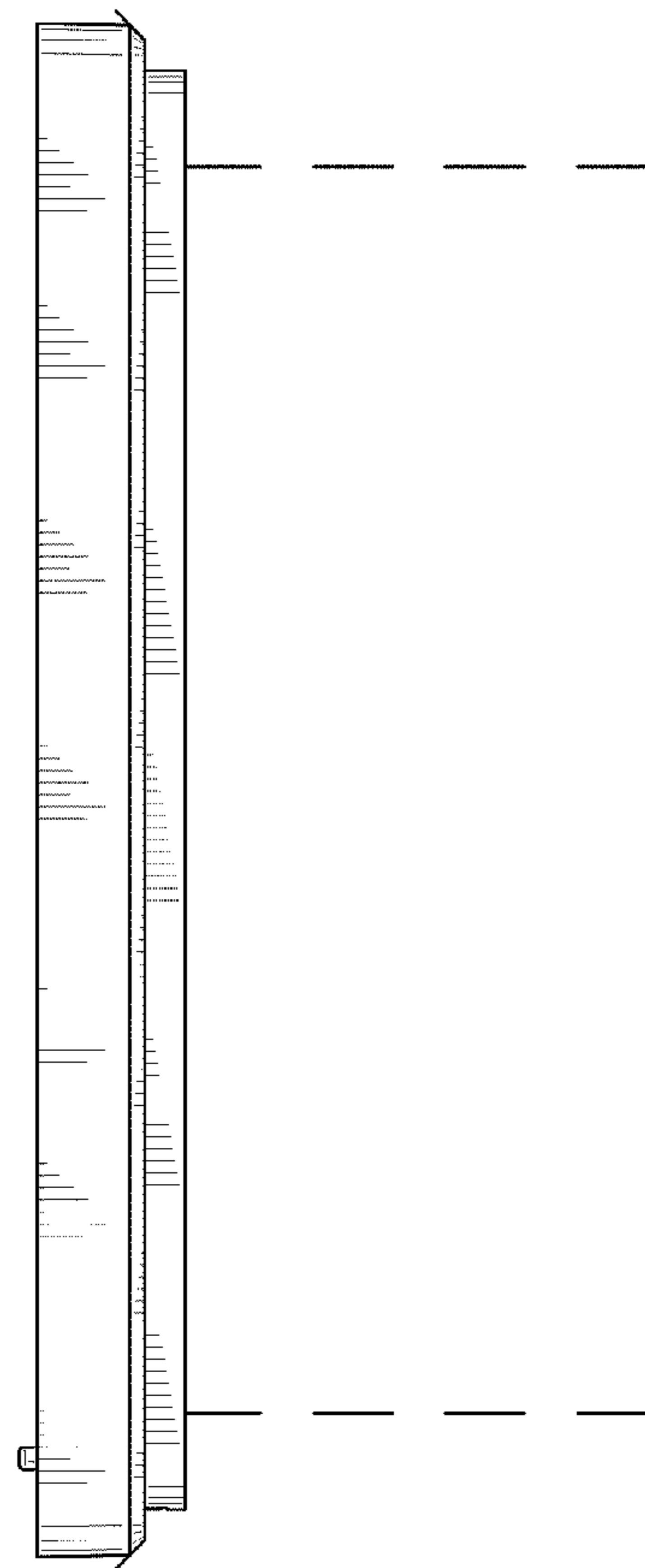


Fig. 10

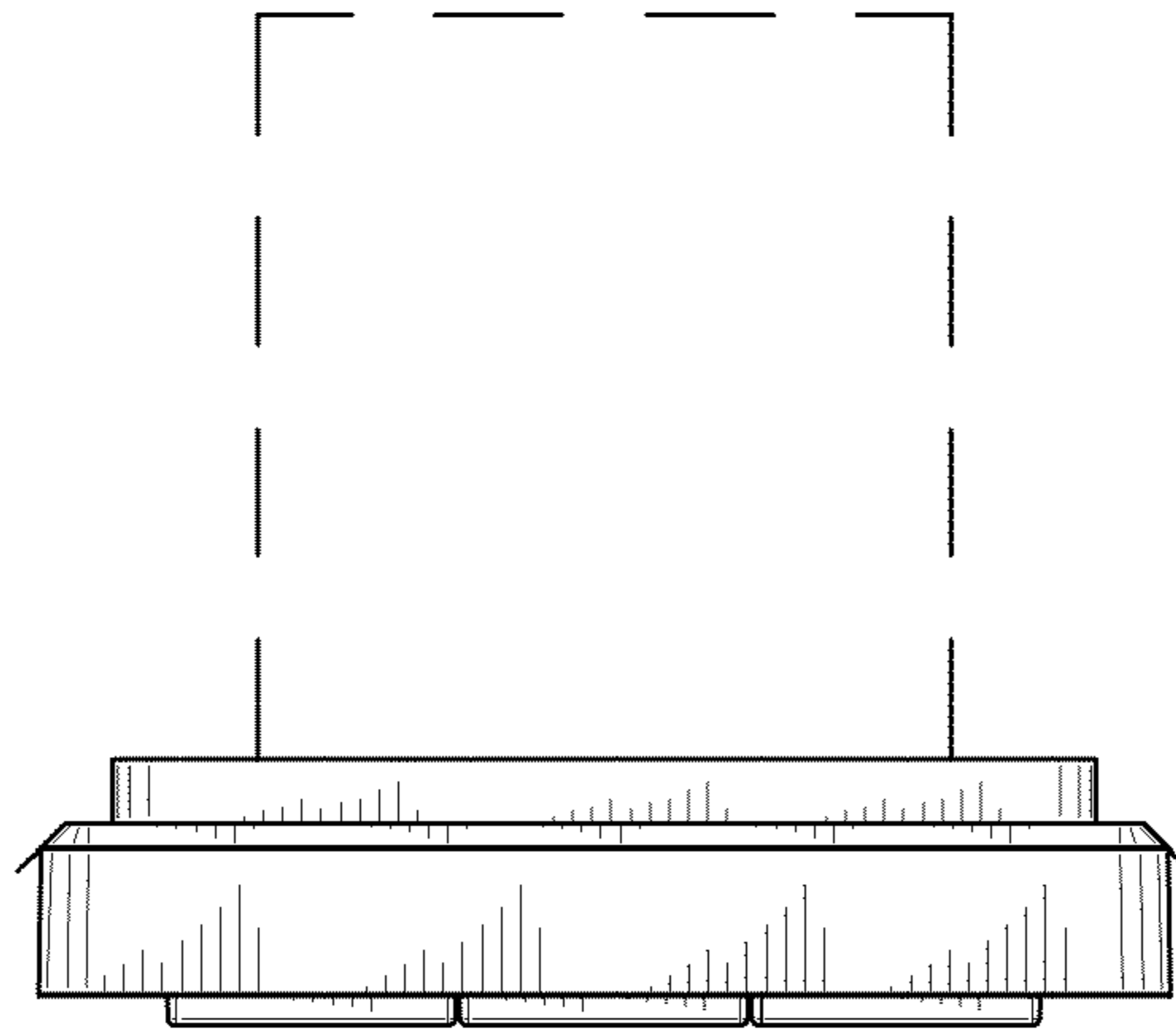


Fig. 11

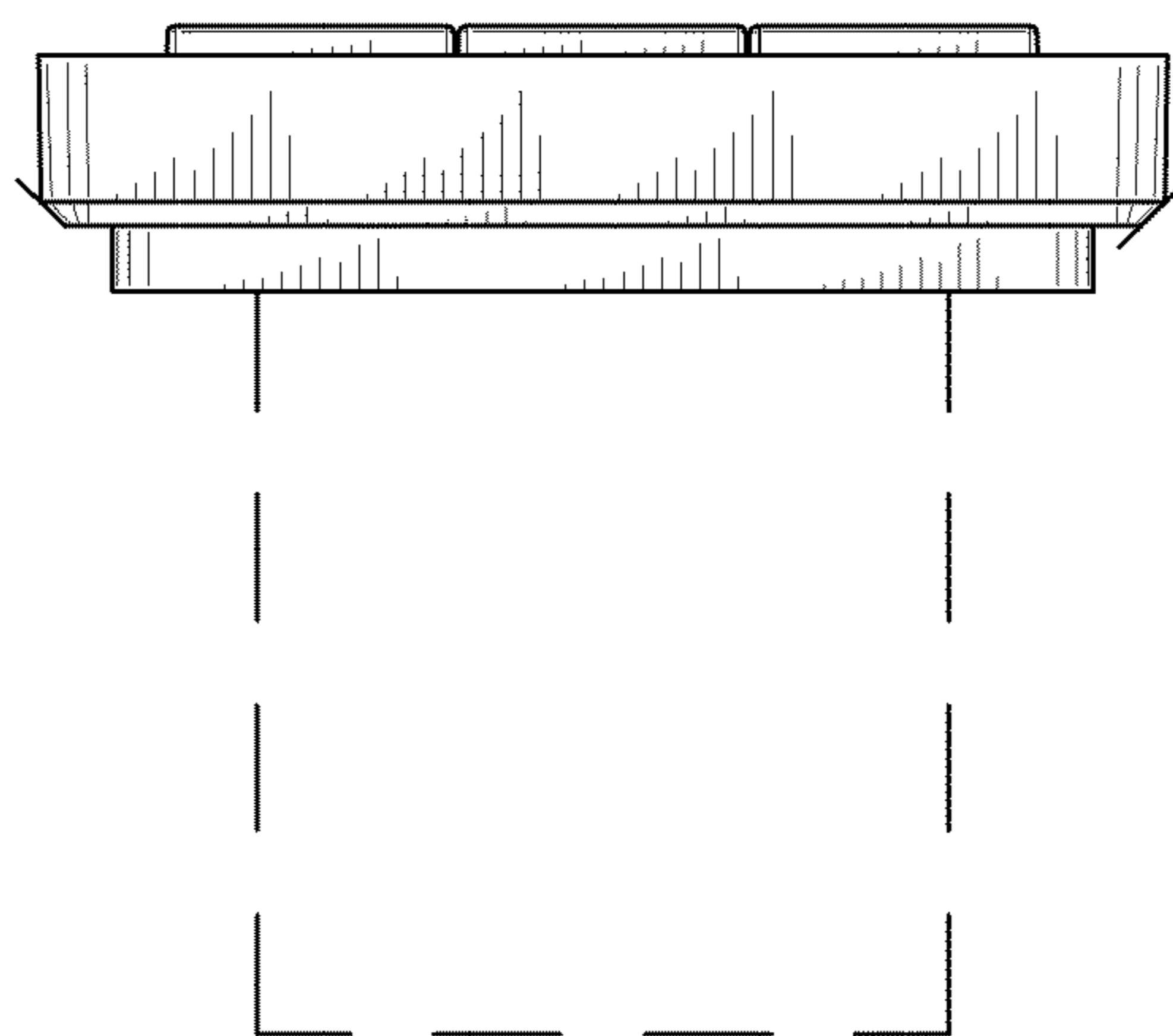


Fig. 12