



US00D658590S

(12) **United States Design Patent**  
**Jansson**

(10) **Patent No.:** **US D658,590 S**

(45) **Date of Patent:** **\*\* May 1, 2012**

(54) **ELECTRONICS BOX**

(75) Inventor: **Gunnar Jansson**, Nordingrå (SE)

(73) Assignees: **Hakaryd AB**, Harnosand (SE);  
**Nordhydraulic AB**, Kramfors (SE)

(\*\*) Term: **14 Years**

(21) Appl. No.: **29/377,786**

(22) Filed: **Oct. 26, 2010**

(30) **Foreign Application Priority Data**

Apr. 26, 2010 (EM) ..... 001700238

(51) **LOC (9) Cl.** ..... **13-03**

(52) **U.S. Cl.** ..... **D13/158; D13/184**

(58) **Field of Classification Search** ..... D13/145,  
D13/139.5, 139.4, 139.3, 152, 158, 162, 162.1,  
D13/177, 184; D14/331-337, 371, 217,  
D14/391-400, 388, 125-129, 306, 299, 199;  
D6/432; 174/50; 248/218.4; D26/51; 631/622,  
631/660, 823; D8/349

See application file for complete search history.

(56) **References Cited**

**U.S. PATENT DOCUMENTS**

D260,090 S \* 8/1981 Hughes et al. .... D13/152  
D272,304 S \* 1/1984 Palermo et al. .... D6/432

D332,443 S \* 1/1993 Sharpe ..... D13/184  
D390,834 S \* 2/1998 Dizon et al. .... D13/184  
6,229,087 B1 \* 5/2001 Archer ..... 174/50  
D531,589 S \* 11/2006 Hsu ..... D13/184  
D555,106 S \* 11/2007 Pape et al. .... D13/158  
D555,116 S \* 11/2007 Schlegel ..... D13/184  
7,578,099 B2 \* 8/2009 Schlegel ..... 52/3  
D604,241 S \* 11/2009 Haberle ..... D13/123  
D643,376 S \* 8/2011 Naumann et al. .... D13/160

\* cited by examiner

*Primary Examiner* — Thomas Johannes

(74) *Attorney, Agent, or Firm* — Renner, Otto, Boisselle & Sklar, LLP

(57) **CLAIM**

The ornamental design for an electronics box, as shown and described.

**DESCRIPTION**

FIG. 1 is a front view of an electronics box showing my new design;

FIG. 2 is a rear view thereof;

FIG. 3 is a left side view thereof;

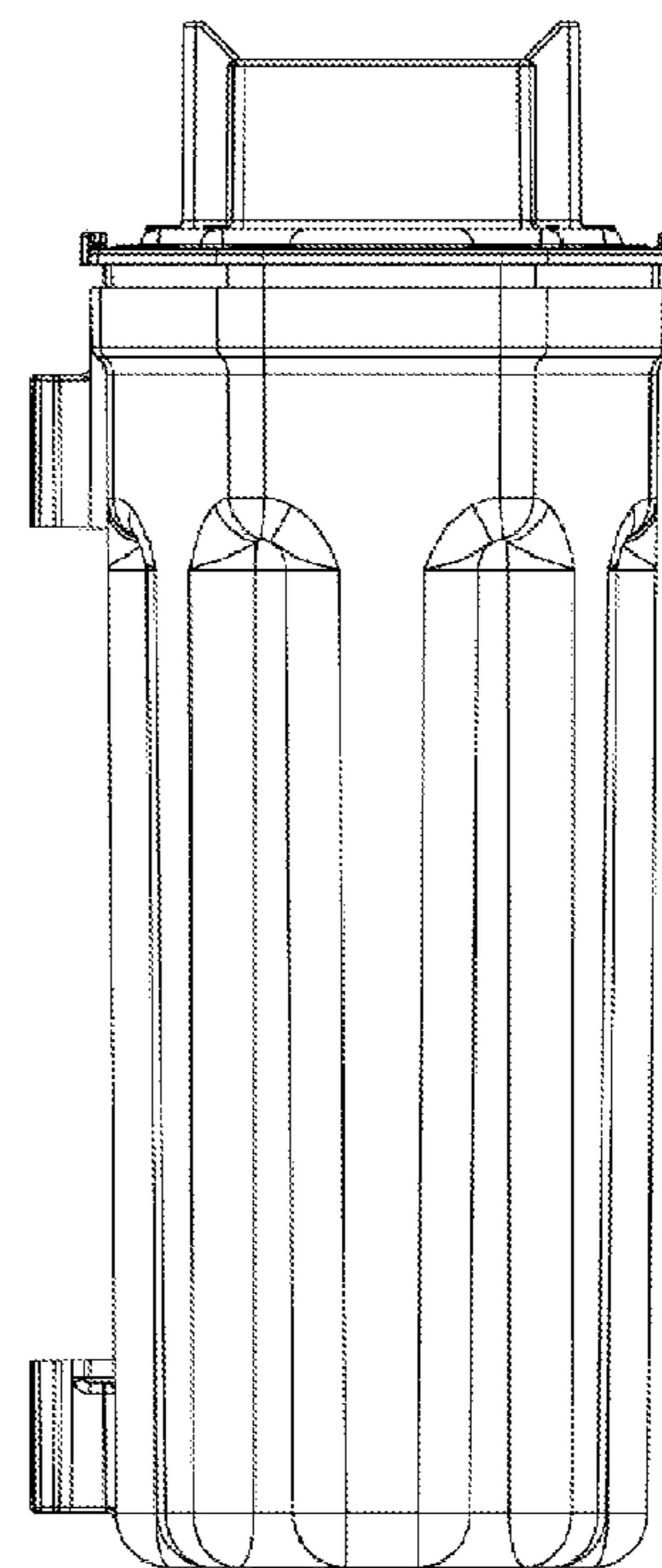
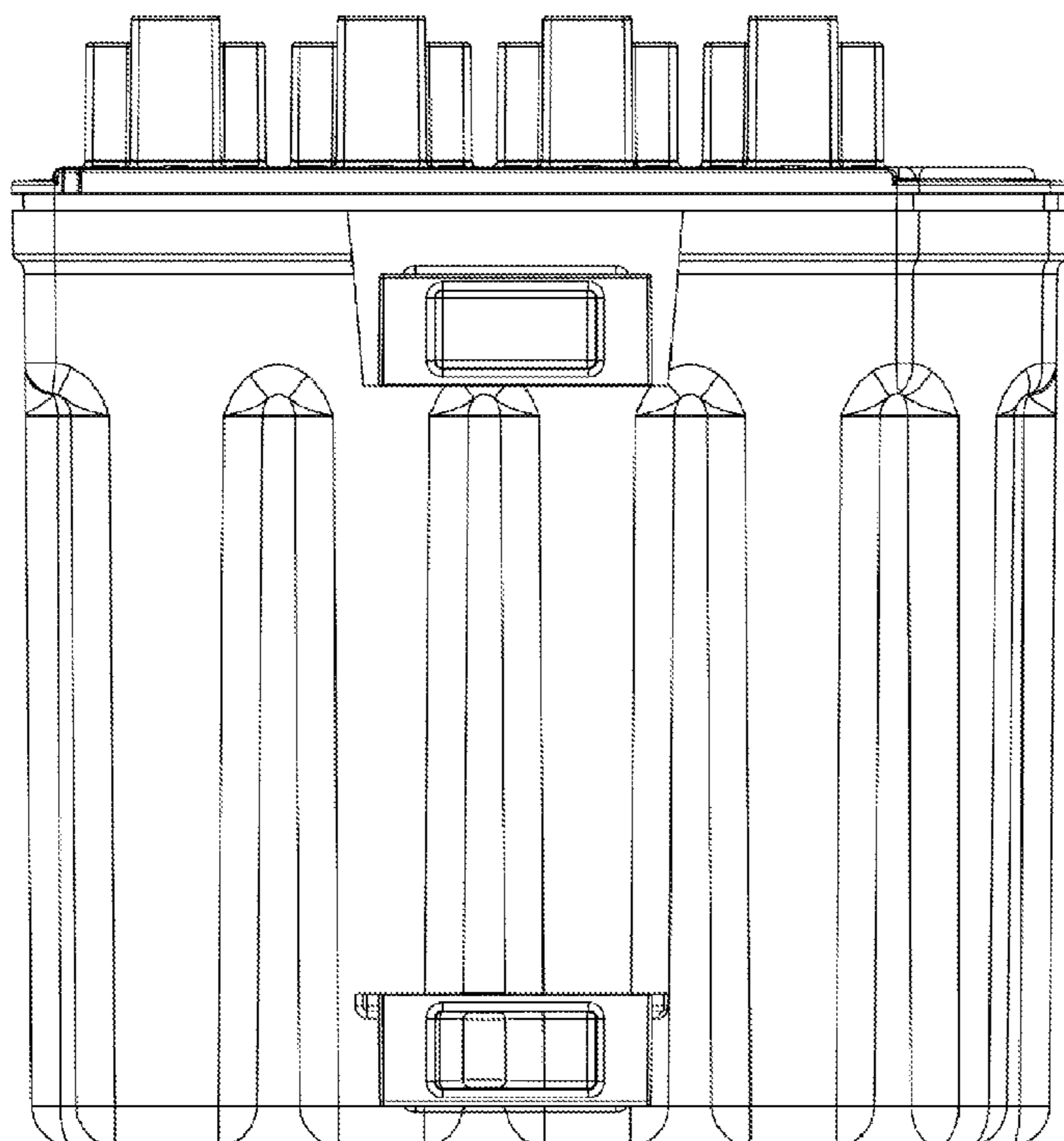
FIG. 4 is a right side view thereof;

FIG. 5 is a bottom view thereof; and,

FIG. 6 is a top view thereof.

The broken line portion of the figure drawings is included to show unclaimed subject matter only and forms no part of the claimed design.

**1 Claim, 6 Drawing Sheets**



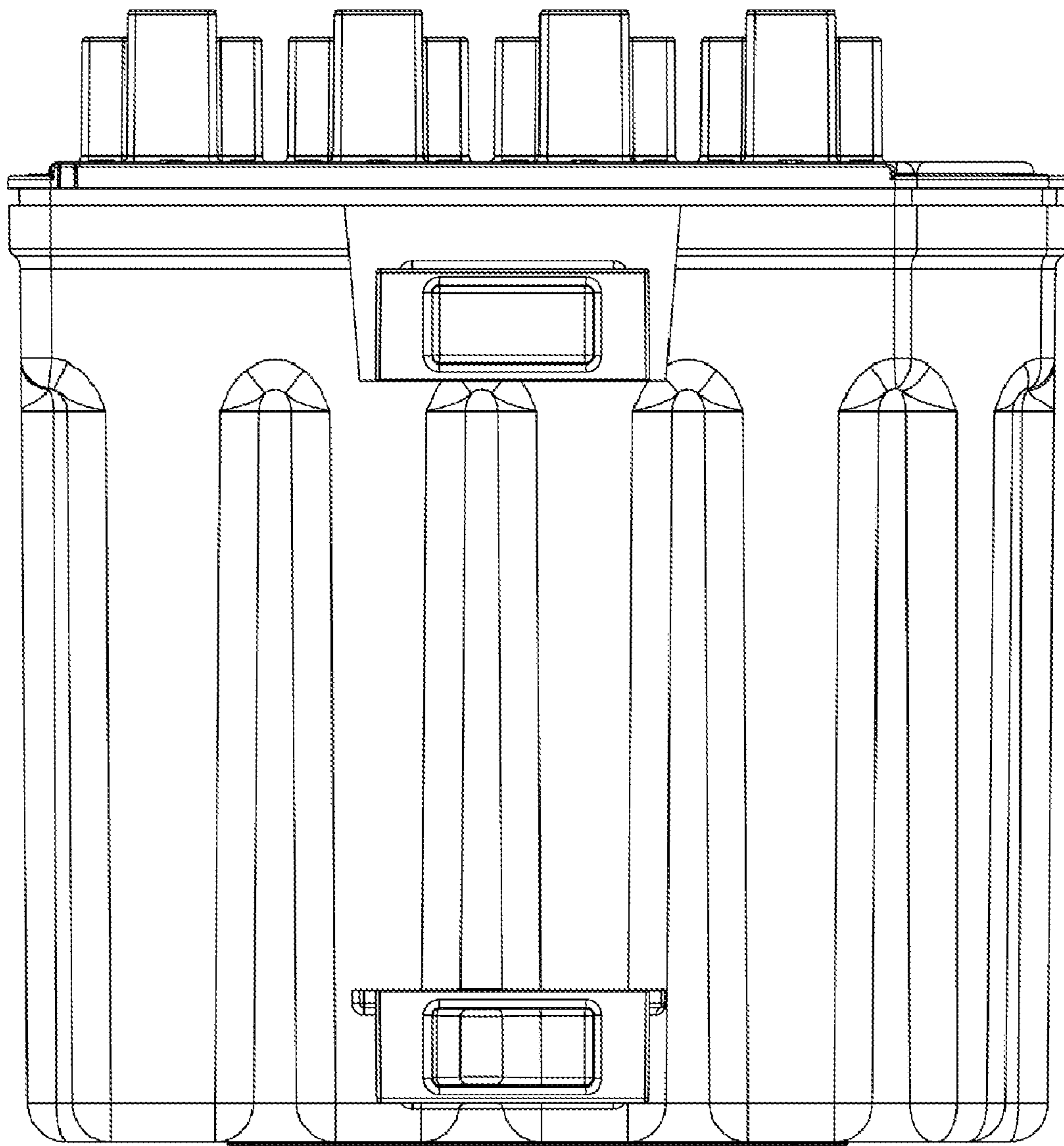


FIG. 1

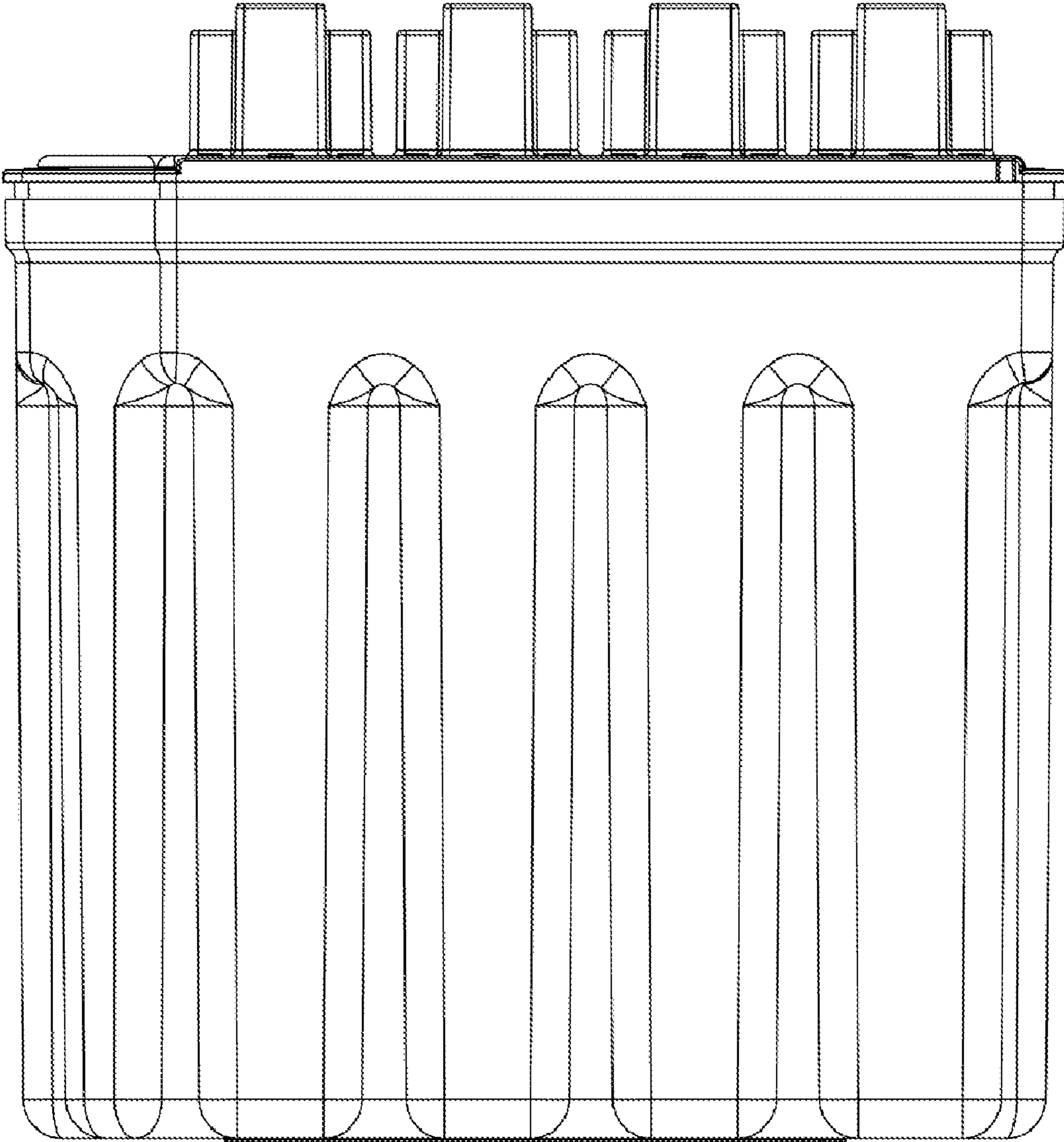


FIG. 2

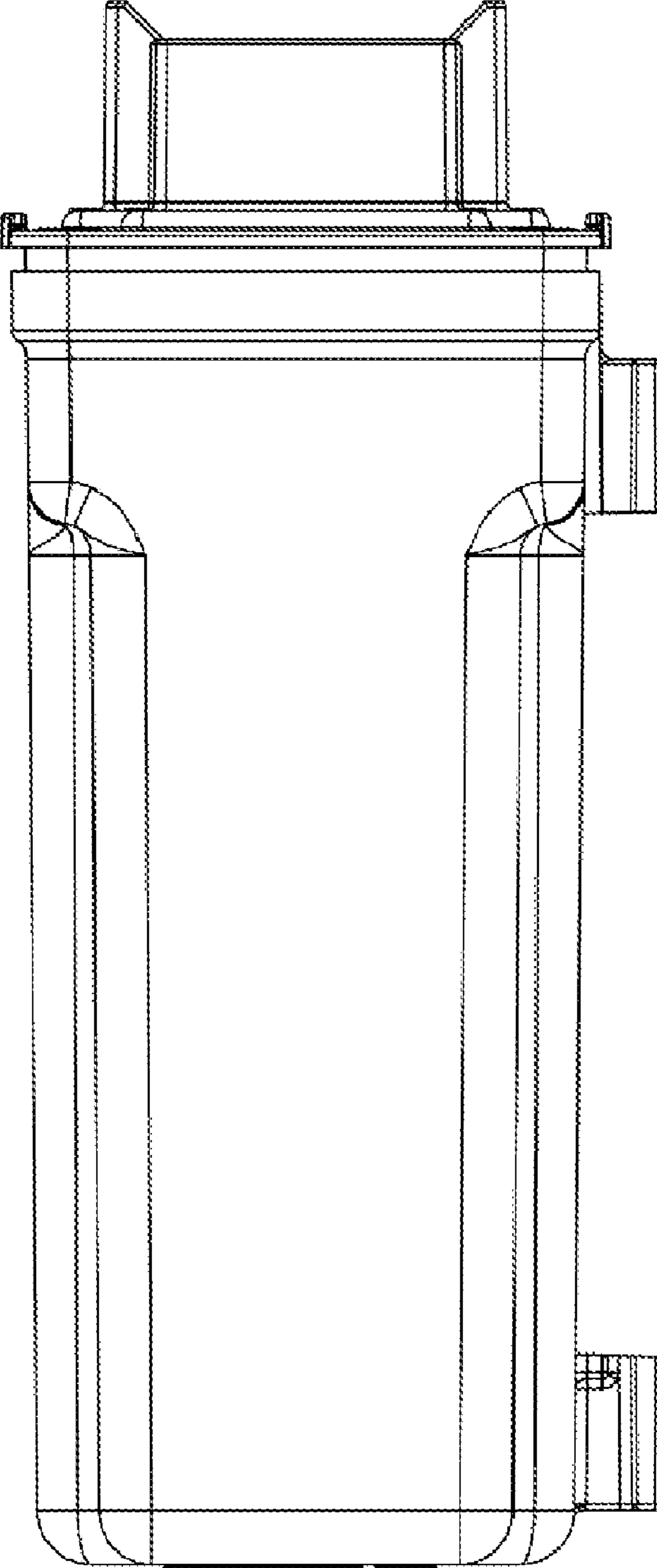


FIG. 3

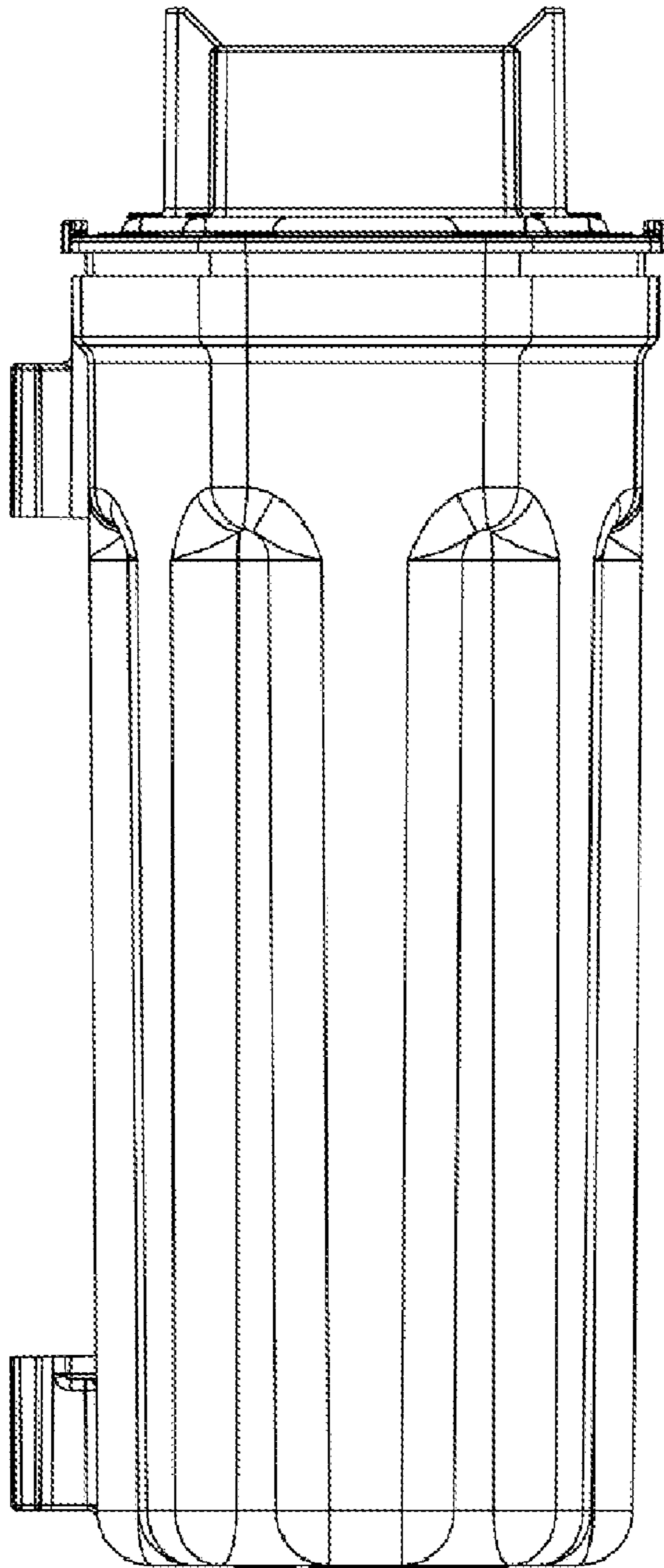


FIG. 4

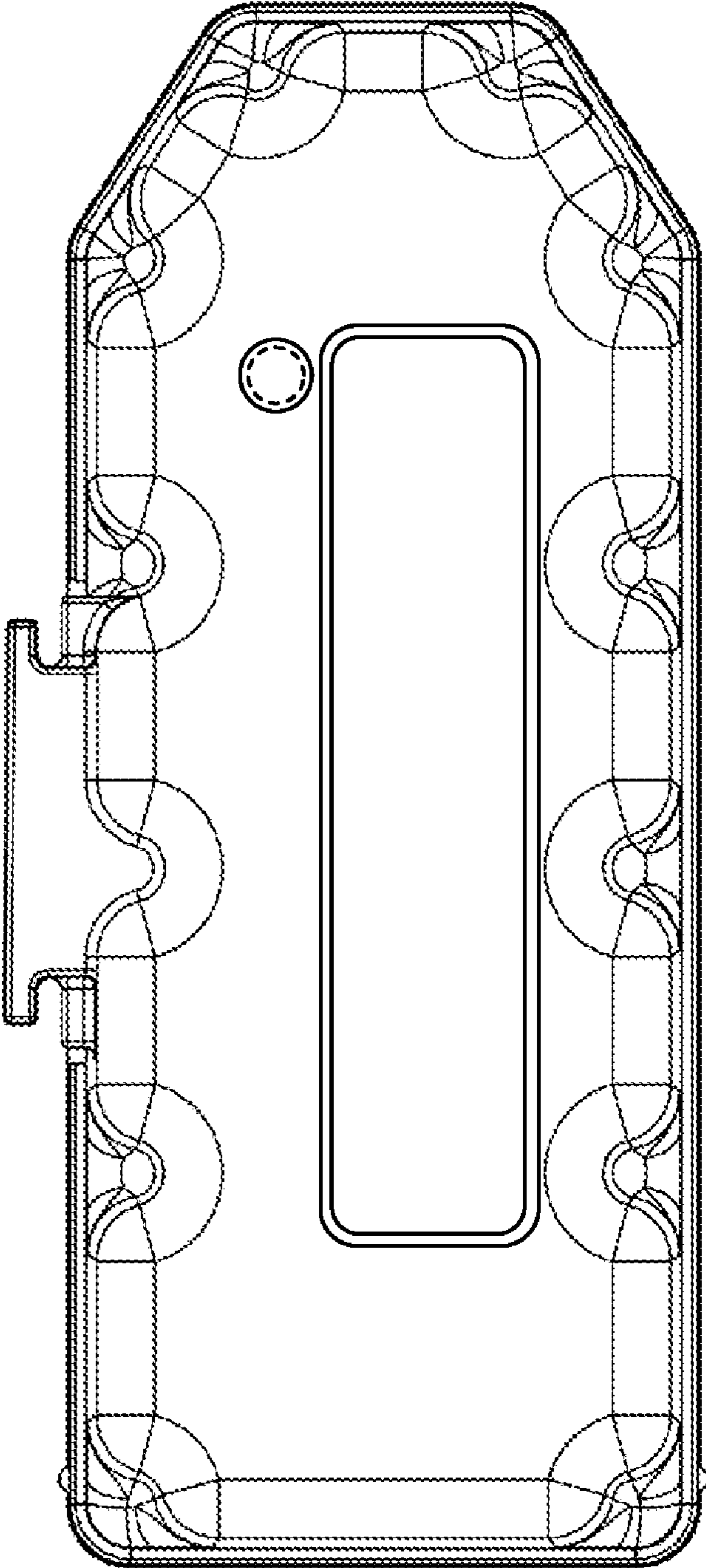


FIG. 5

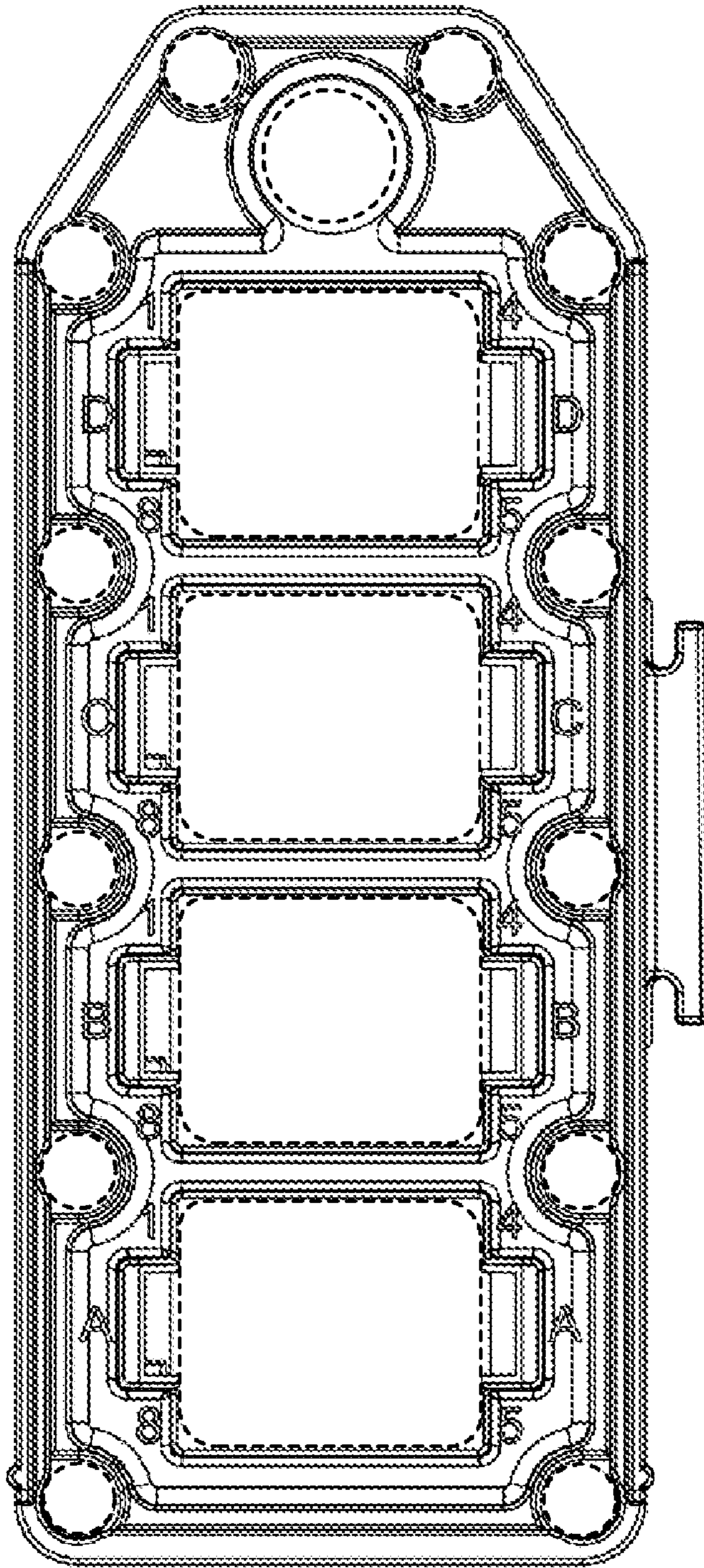


FIG. 6