



US00D658587S

(12) **United States Design Patent**
Flattinger et al.

(10) **Patent No.:** **US D658,587 S**

(45) **Date of Patent:** **** May 1, 2012**

(54) **ELECTRICAL CONNECTOR**

(56) **References Cited**

(75) Inventors: **Guenther Flattinger**, Pasching (AT);
Julia Huemer, Kirchdorf (AT); **Stefan**
Kammerer, Gunskirchen (AT); **Andreas**
Maderboeck, Buchkirchen (AT);
Friedrich Oberzaucher, Wels (AT);
Guenther Sklarski, Sipbachzell (AT);
Peter Oberroither, Wels (AT); **Manfred**
Stadler, Pettenbach (AT)

U.S. PATENT DOCUMENTS

D243,698 S *	3/1977	Gietzen	D13/133
D313,790 S *	1/1991	Hirabayashi	D13/133
D424,020 S *	5/2000	Fischer	D13/146
D508,466 S *	8/2005	Dobler	D13/154
D524,738 S *	7/2006	Dobler	D13/133
D528,506 S *	9/2006	Taguchi	D13/133
D568,822 S *	5/2008	Kuo	D13/154
D582,850 S *	12/2008	Andre	D13/133

* cited by examiner

(73) Assignee: **Fronius International GmbH**,
Pettenbach (AT)

Primary Examiner — Daniel Bui

(74) *Attorney, Agent, or Firm* — Collard & Roe, P.C.

(**) Term: **14 Years**

(57) **CLAIM**

The ornamental design for an electrical connector, as shown and described.

(21) Appl. No.: **29/348,005**

DESCRIPTION

(22) Filed: **Nov. 17, 2009**

(30) **Foreign Application Priority Data**

May 18, 2009 (EM) 1138309-0003

(51) **LOC (9) Cl.** **13-03**

(52) **U.S. Cl.** **D13/147**

(58) **Field of Classification Search** D13/120,
D13/133, 146, 147, 149, 151, 154, 184, 199;
439/180, 246, 252, 278, 374, 378, 379, 380,
439/381, 527, 529, 533, 675, 750, 842, 851,
439/889, 892, 894, 944, 948

FIG. 1 is a top view of an electrical connector, showing our new design

FIG. 2 is a top, side and front perspective view thereof;

FIG. 3 is a side view thereof;

FIG. 4 is a bottom view thereof;

FIG. 5 is an opposite side view thereof;

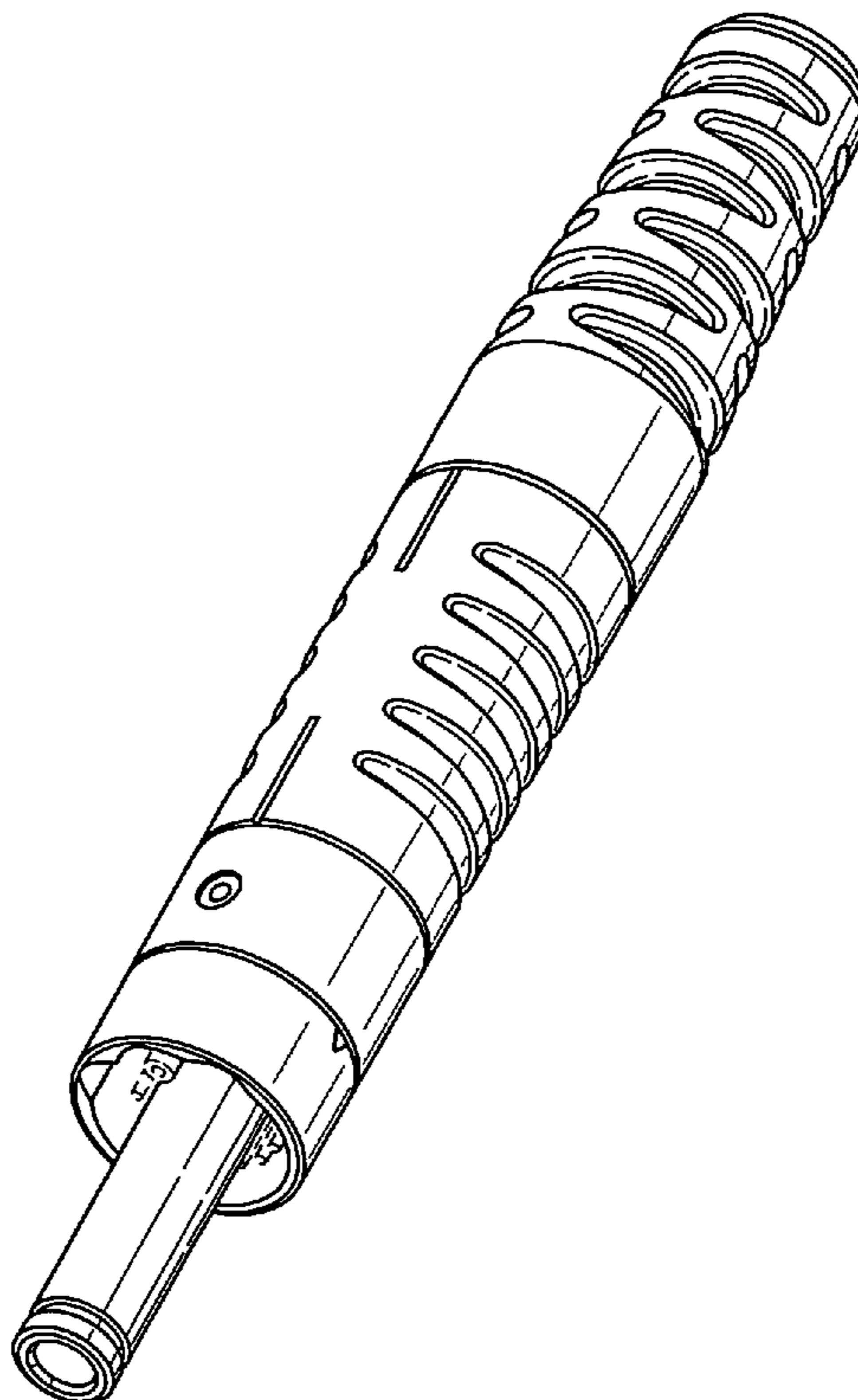
FIG. 6 is a bottom side and rear perspective view thereof; and,

FIG. 7 is a rear view thereof.

The elements shown in broken lines show environmental structure only and form no part of the claimed design.

See application file for complete search history.

1 Claim, 3 Drawing Sheets



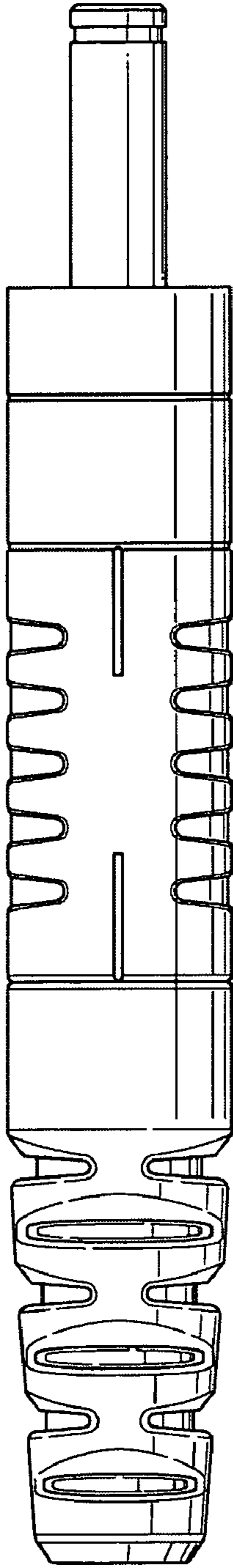


FIG. 1

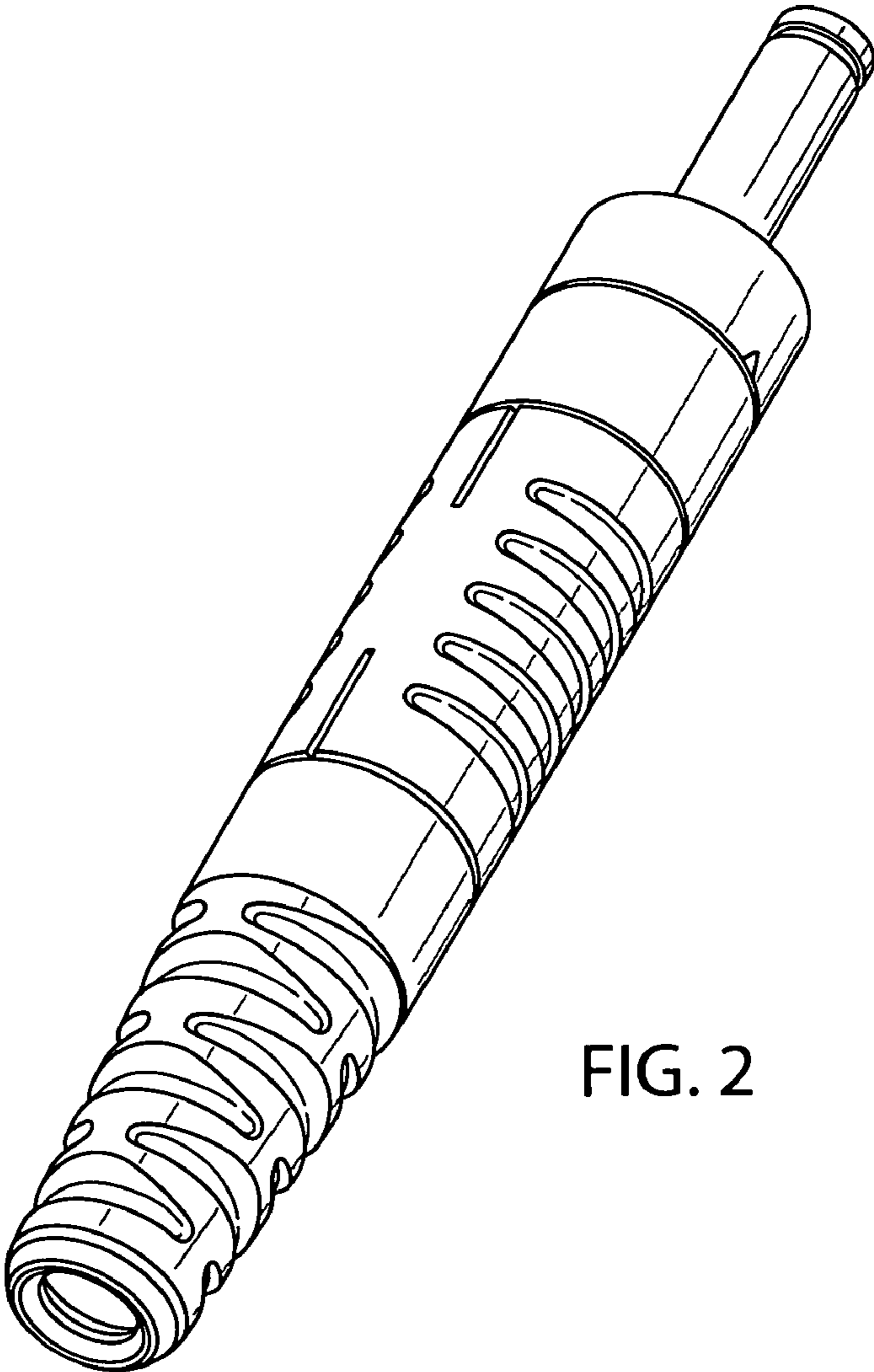


FIG. 2

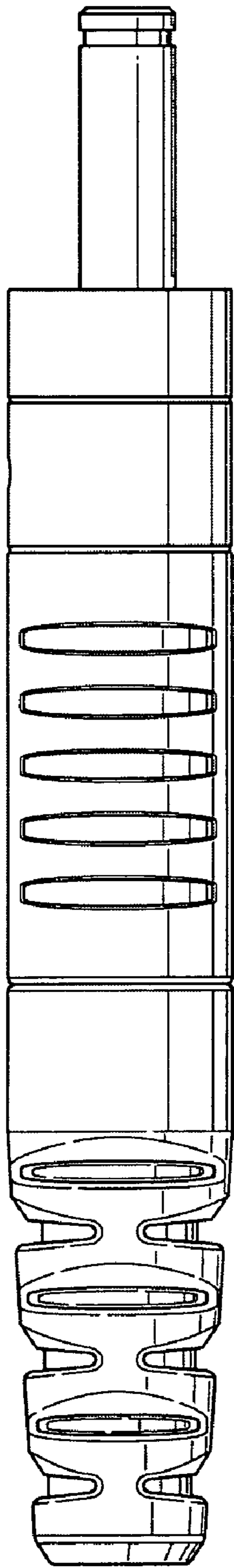


FIG. 3

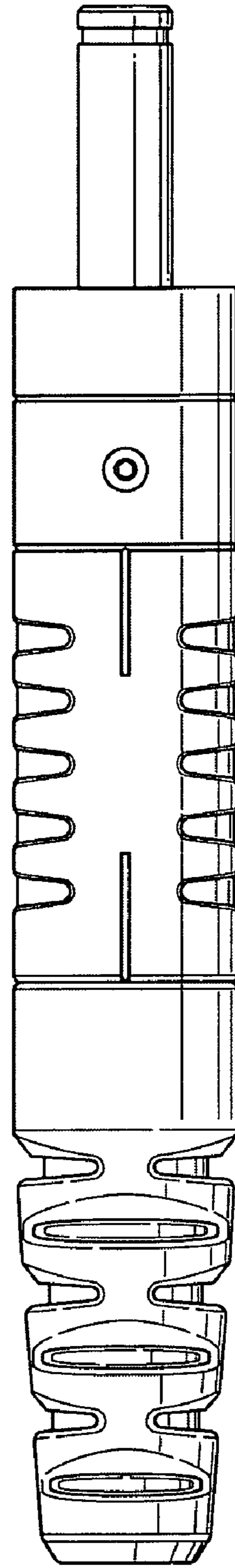


FIG. 4

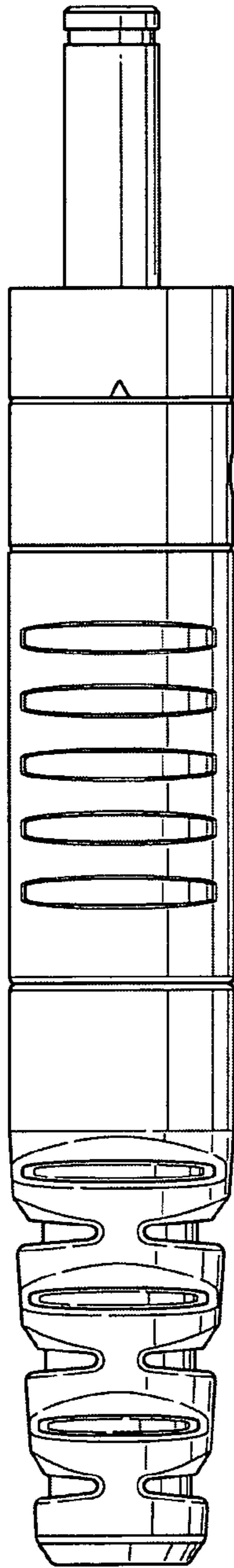


FIG. 5

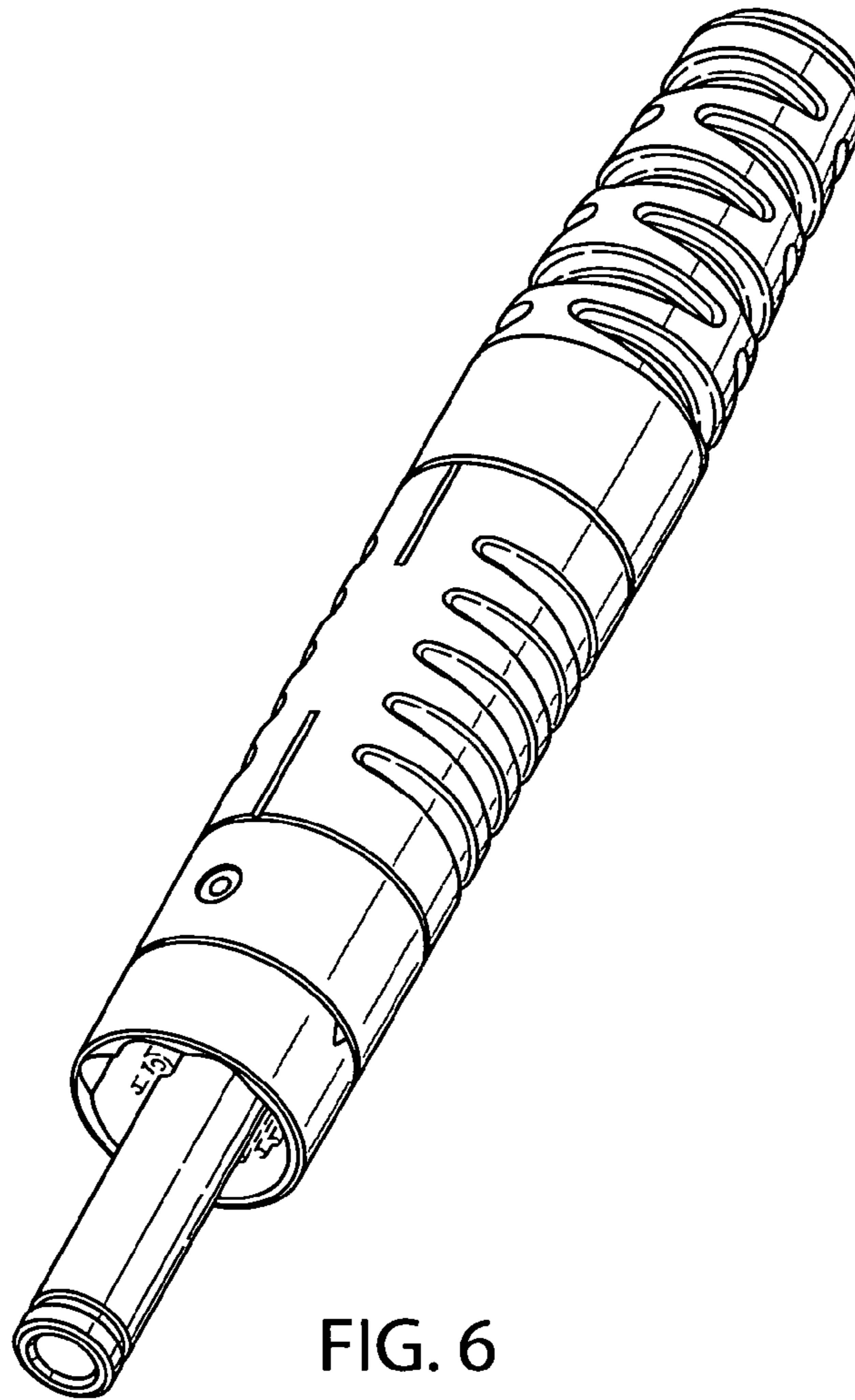


FIG. 6

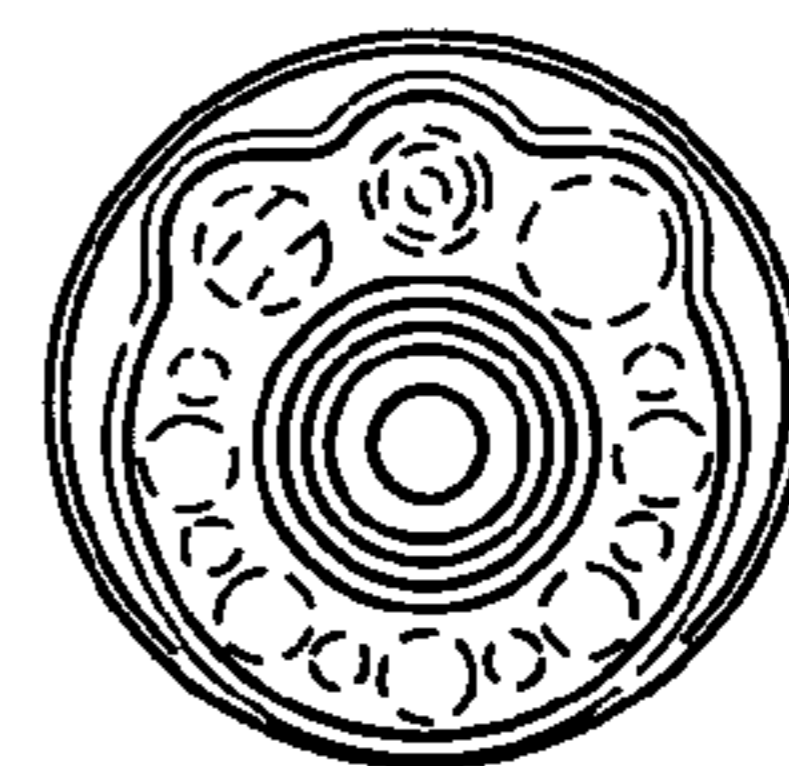


FIG. 7