



US00D658586S

(12) **United States Design Patent**
Lin

(10) **Patent No.:** **US D658,586 S**

(45) **Date of Patent:** **** May 1, 2012**

(54) **POGO PIN CONNECTOR**

(75) Inventor: **Jui-Pin Lin**, Taipei (TW)

(73) Assignee: **Cheng Uei Precision Industry Co., Ltd.**, New Taipei (TW)

(**) Term: **14 Years**

(21) Appl. No.: **29/381,153**

(22) Filed: **Dec. 15, 2010**

(51) **LOC (9) Cl.** **13-03**

(52) **U.S. Cl.** **D13/146**

(58) **Field of Classification Search** D13/120,
D13/133, 146, 147, 154, 184, 199; 439/180,
439/246, 278, 374, 379, 381, 476.1, 527,
439/529, 533, 607.01, 607.04, 607.23, 607.24,
439/607.25, 607.35, 607.36, 607.37, 607.38,
439/607.39, 607.4, 607.55, 607.56, 607.57,
439/607.58

See application file for complete search history.

(56) **References Cited**

U.S. PATENT DOCUMENTS

4,427,879 A * 1/1984 Becher et al. 250/215
D450,659 S * 11/2001 Hu et al. D13/147

D502,919 S * 3/2005 Studnicky, III D13/146
D549,663 S * 8/2007 Tsou et al. D13/158
D601,503 S * 10/2009 Gribble et al. D13/146
D602,864 S * 10/2009 Zhang D13/120
D647,854 S * 11/2011 Lin D13/146
8,052,470 B1 * 11/2011 Lin 439/607.01
8,083,548 B1 * 12/2011 Lin 439/607.34

* cited by examiner

Primary Examiner — Daniel Bui

(74) *Attorney, Agent, or Firm* — Lin & Associates IP, Inc.

(57) **CLAIM**

The ornamental design for a pogo pin connector, as shown and described.

DESCRIPTION

FIG. 1 is a perspective view of a pogo pin connector showing my new design;

FIG. 2 is a front elevational view thereof;

FIG. 3 is a rear elevational view thereof;

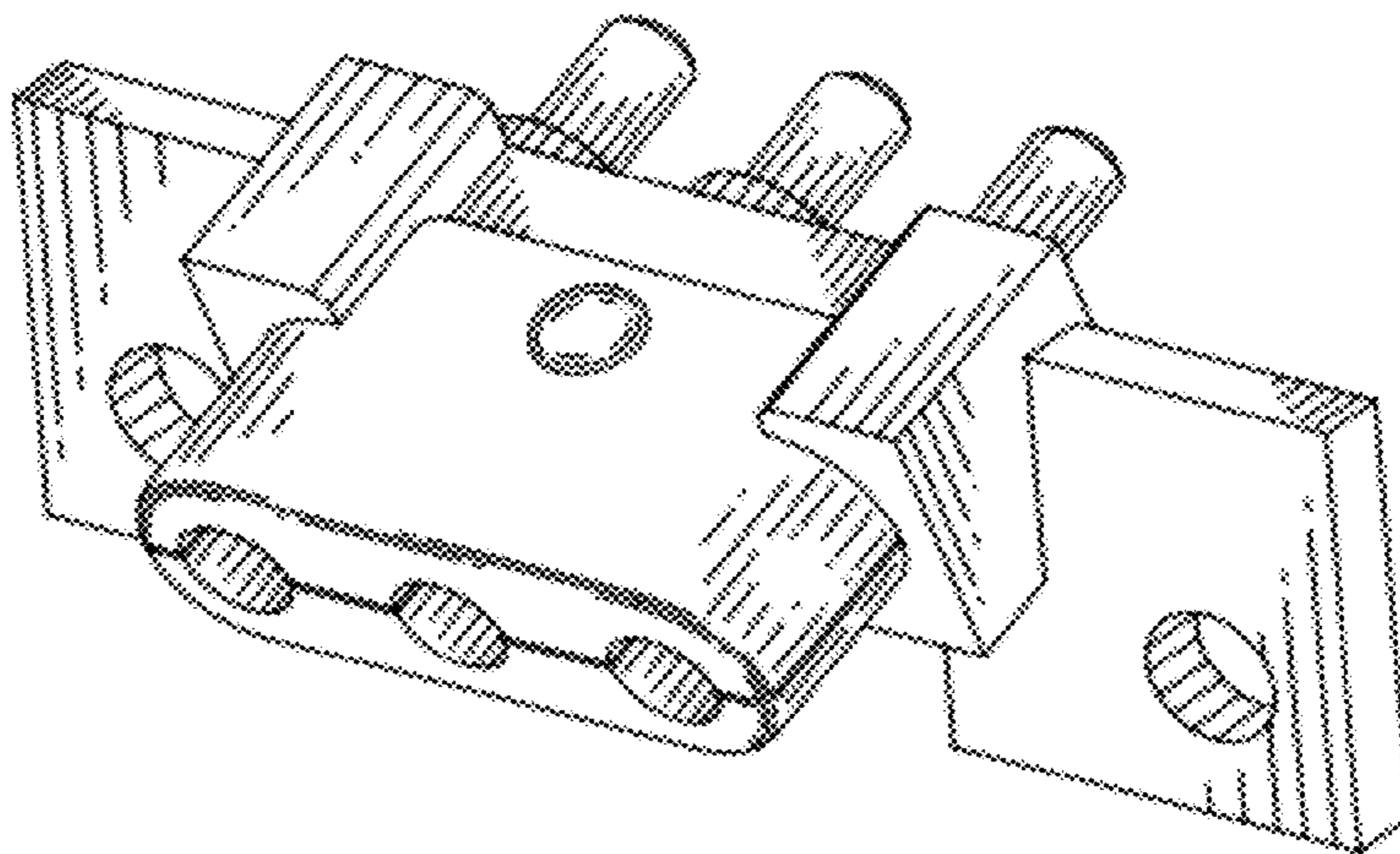
FIG. 4 is a left side elevational view thereof;

FIG. 5 is a right side elevational view thereof;

FIG. 6 is a top plan view thereof; and,

FIG. 7 is a bottom plan view thereof.

1 Claim, 7 Drawing Sheets



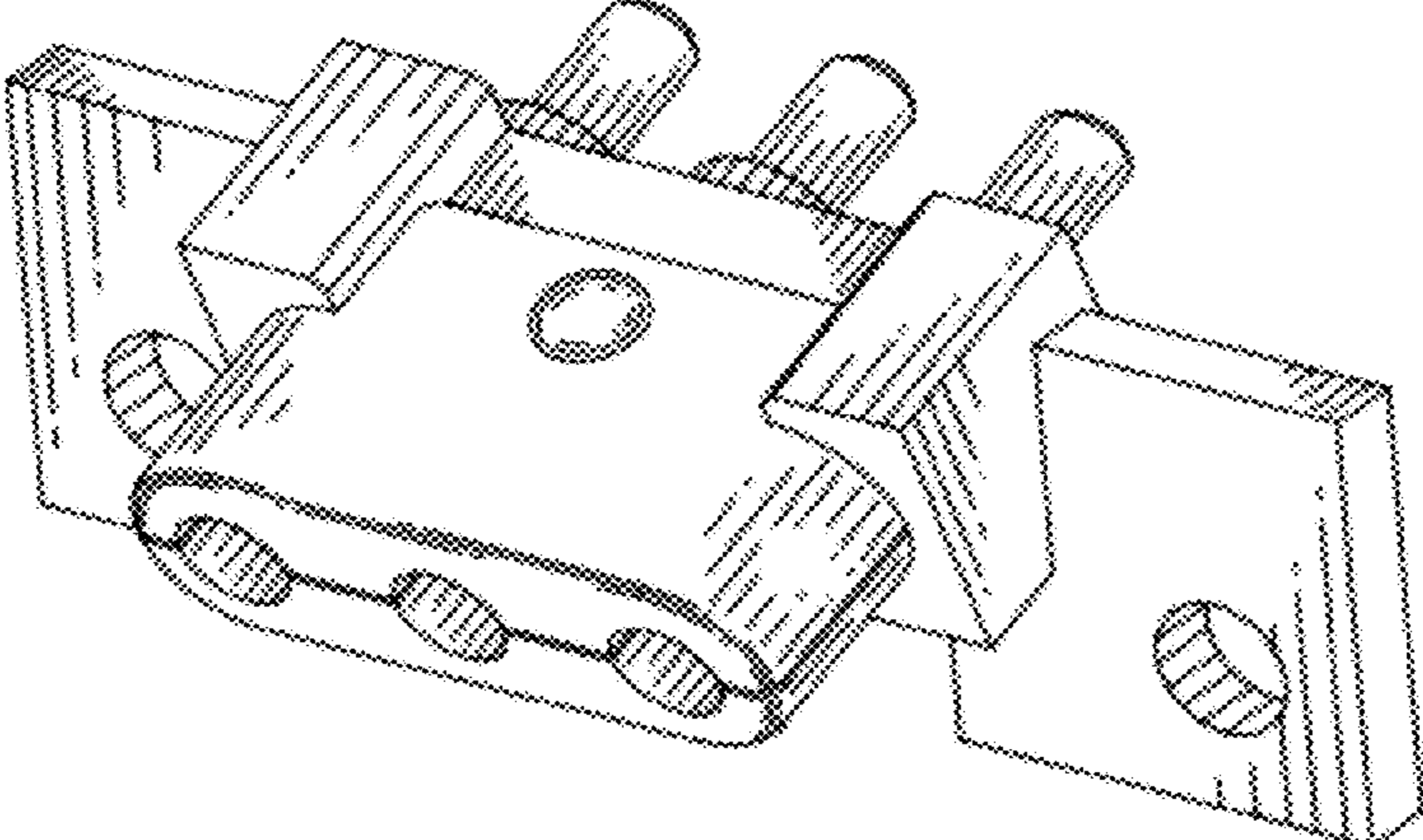


FIG. 1

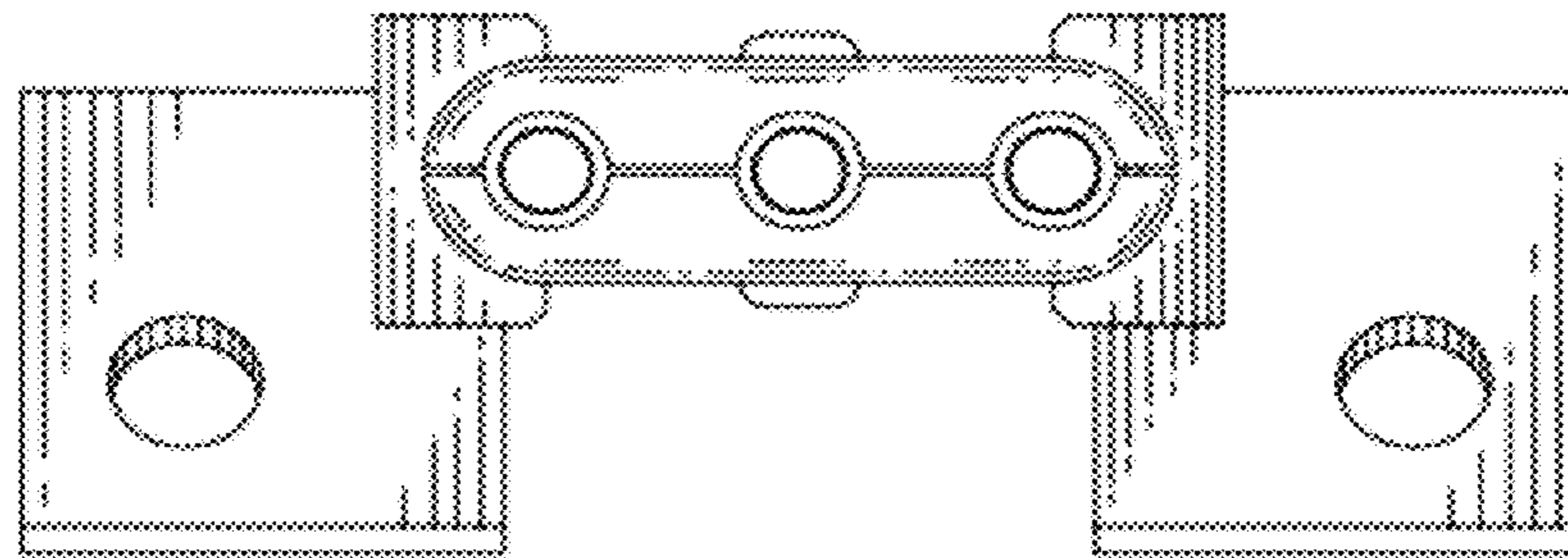


FIG. 2

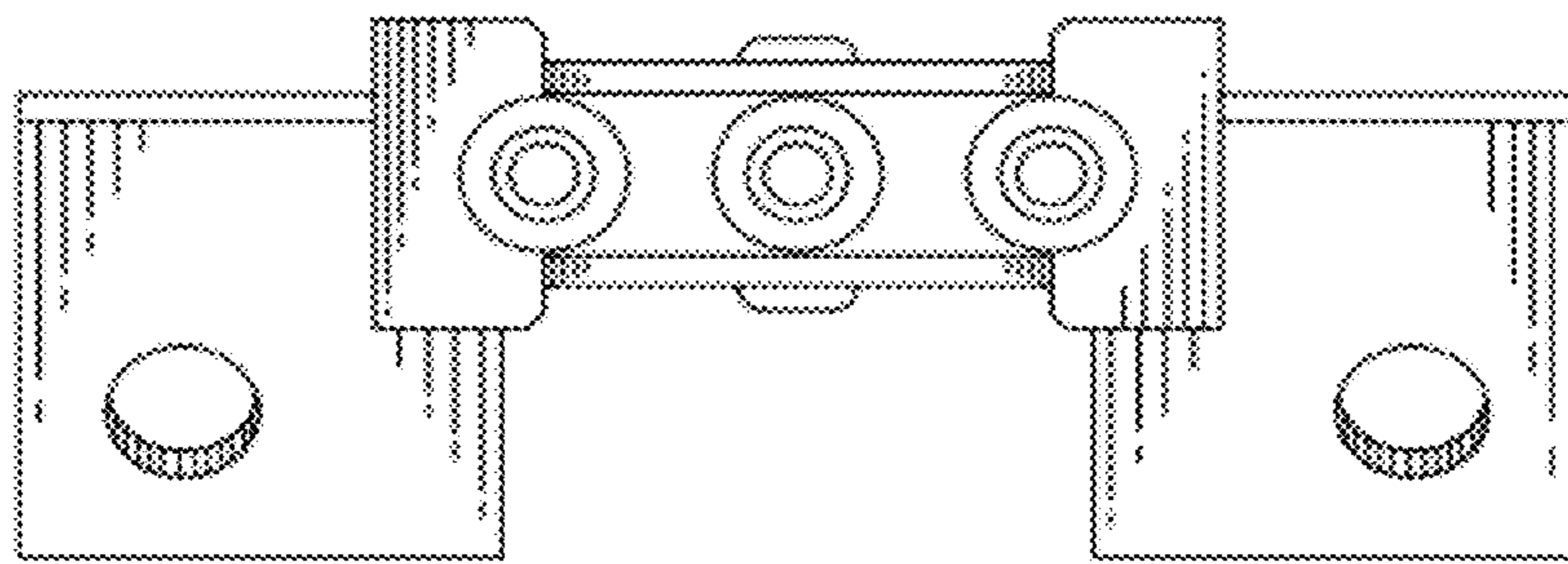


FIG. 3

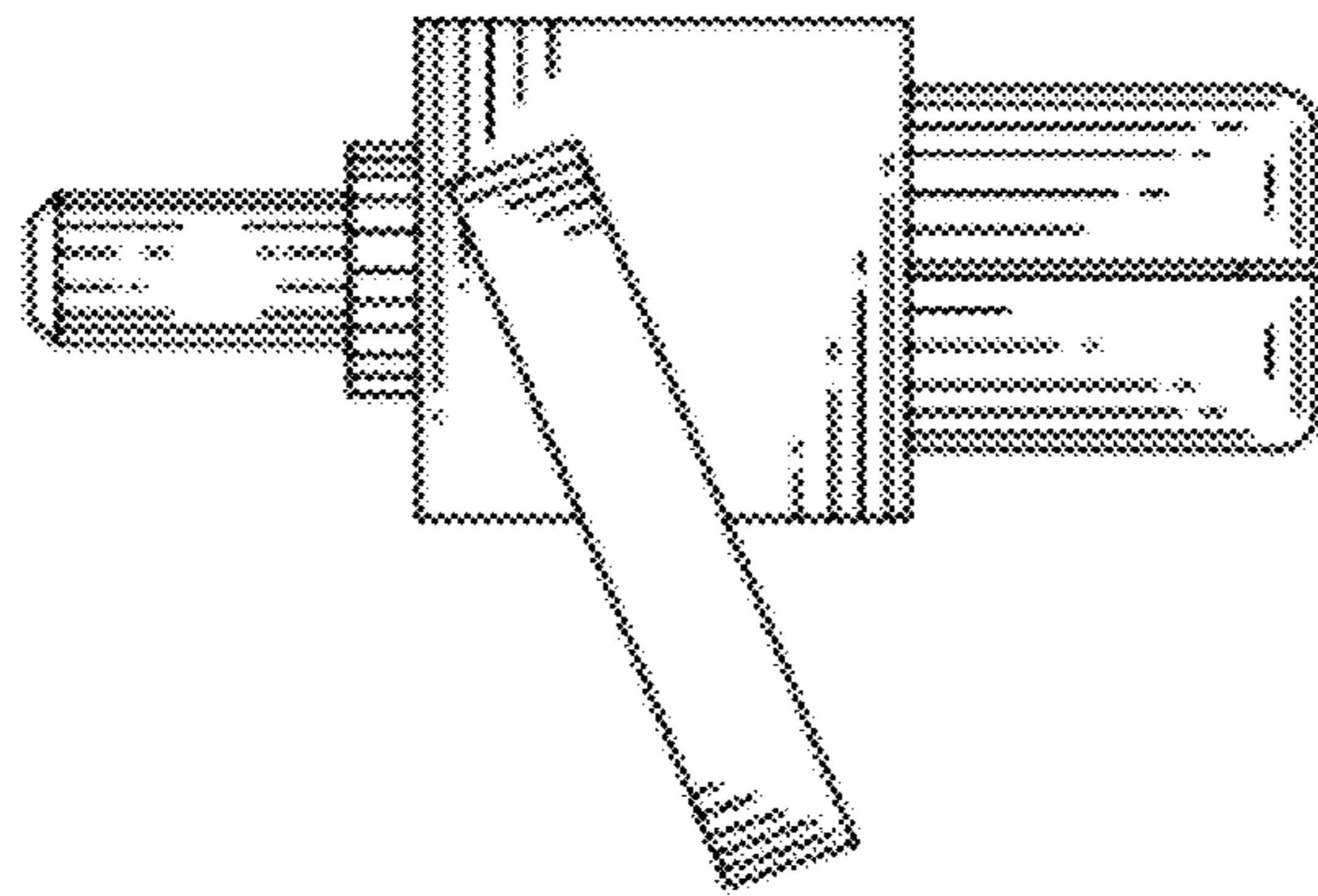


FIG. 4

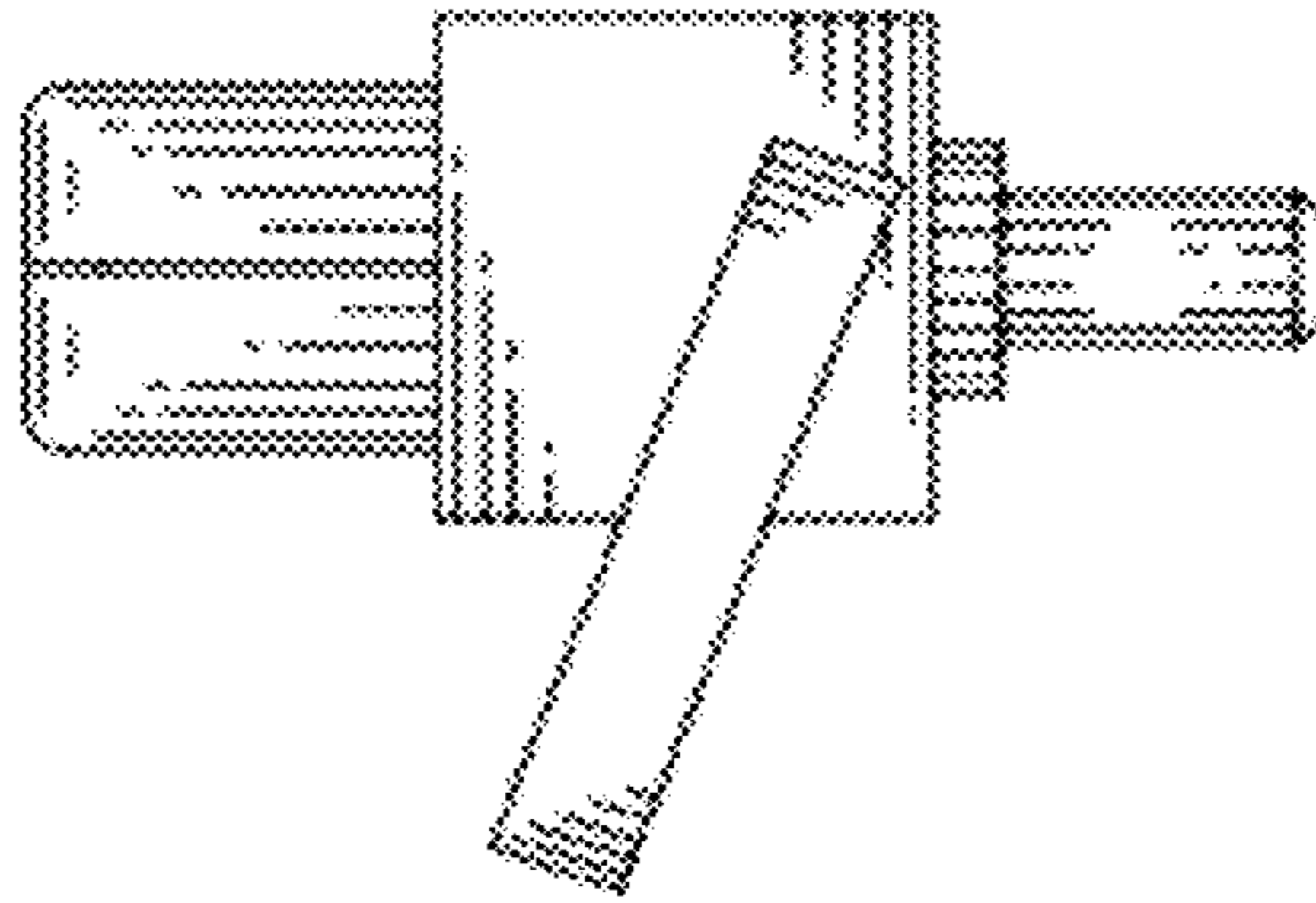


FIG. 5

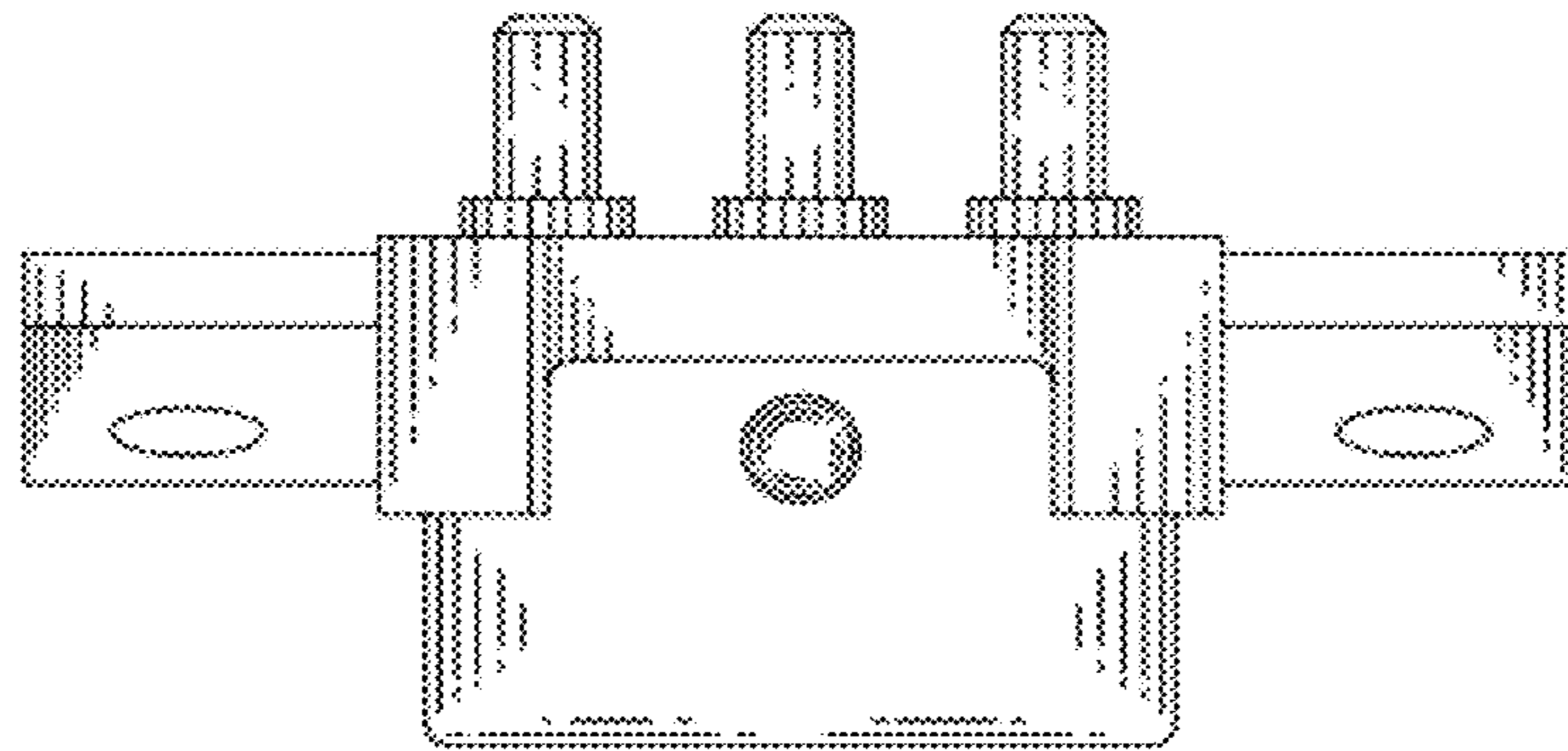


FIG. 6

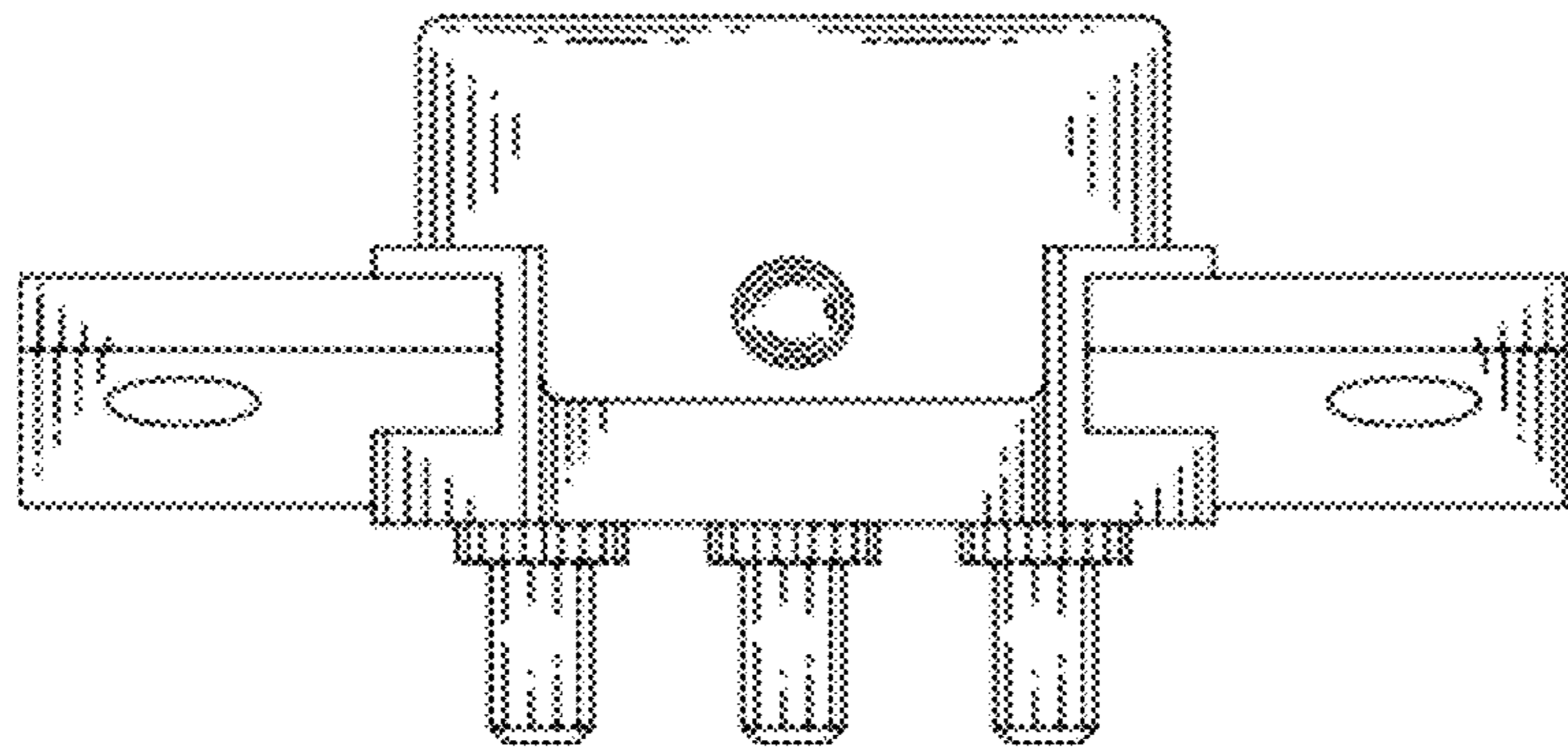


FIG. 7