



US00D658583S

(12) **United States Design Patent**  
**Andre et al.**

(10) **Patent No.:** **US D658,583 S**  
(45) **Date of Patent:** **\*\* May 1, 2012**

(54) **ELECTRONIC DEVICE**

(75) Inventors: **Bartley K. Andre**, Menlo Park, CA (US); **Robert L. Coish**, Mountain View, CA (US); **Brett William Degner**, Menlo Park, CA (US); **Ron Alan Hopkinson**, Campbell, CA (US); **Chris Ligtenberg**, San Carlos, CA (US); **R. Sean Murphy**, Sunnyvale, CA (US); **John Raff**, Menlo Park, CA (US)

(73) Assignee: **Apple Inc.**, Cupertino, CA (US)

(\*\*) Term: **14 Years**

(21) Appl. No.: **29/388,896**

(22) Filed: **Apr. 4, 2011**

**Related U.S. Application Data**

(62) Division of application No. 29/377,145, filed on Oct. 18, 2010, now Pat. No. Des. 637,157.

(51) **LOC (9) Cl.** ..... **13-02**

(52) **U.S. Cl.** ..... **D13/119; D13/103**

(58) **Field of Classification Search** ..... D13/102-106, D13/110, 118-121, 184, 199; 429/96-100, 429/149, 159, 163, 176, 177.186, 463; D14/300, D14/422, 439

See application file for complete search history.

(56) **References Cited**

**U.S. PATENT DOCUMENTS**

D269,672 S \* 7/1983 Seltzer et al. .... D13/119  
D269,868 S \* 7/1983 Seltzer et al. .... D13/119  
5,019,465 A \* 5/1991 Herron et al. .... 429/97  
D321,856 S \* 11/1991 Whitley, II et al. .... D13/119

5,180,644 A 1/1993 Bresin et al.  
5,308,716 A \* 5/1994 Shababy et al. .... 429/97  
D348,046 S \* 6/1994 Hulsebus ..... D13/119  
5,326,651 A 7/1994 Mehta et al.  
D356,992 S 4/1995 Dilgard  
5,436,089 A 7/1995 Fedele  
5,601,942 A 2/1997 Fedele  
D409,973 S 5/1999 Iwamoto et al.  
D440,201 S \* 4/2001 Huynh et al. .... D13/103  
D479,192 S \* 9/2003 Fujihara et al. .... D13/103  
6,884,540 B2 4/2005 Chikada  
7,595,129 B2 9/2009 Kato  
7,597,996 B2 \* 10/2009 Ro et al. .... 429/159  
D611,413 S \* 3/2010 Brockington ..... D13/119  
7,682,727 B2 \* 3/2010 Hsu ..... 429/97  
7,713,654 B2 \* 5/2010 Hsu et al. .... 429/97  
2002/0094475 A1 7/2002 Aoyama  
2003/0157401 A1 \* 8/2003 Gelbke et al. .... 429/84

\* cited by examiner

*Primary Examiner* — Rosemary K Tarcza

(74) *Attorney, Agent, or Firm* — SAIDMAN DesignLaw Group

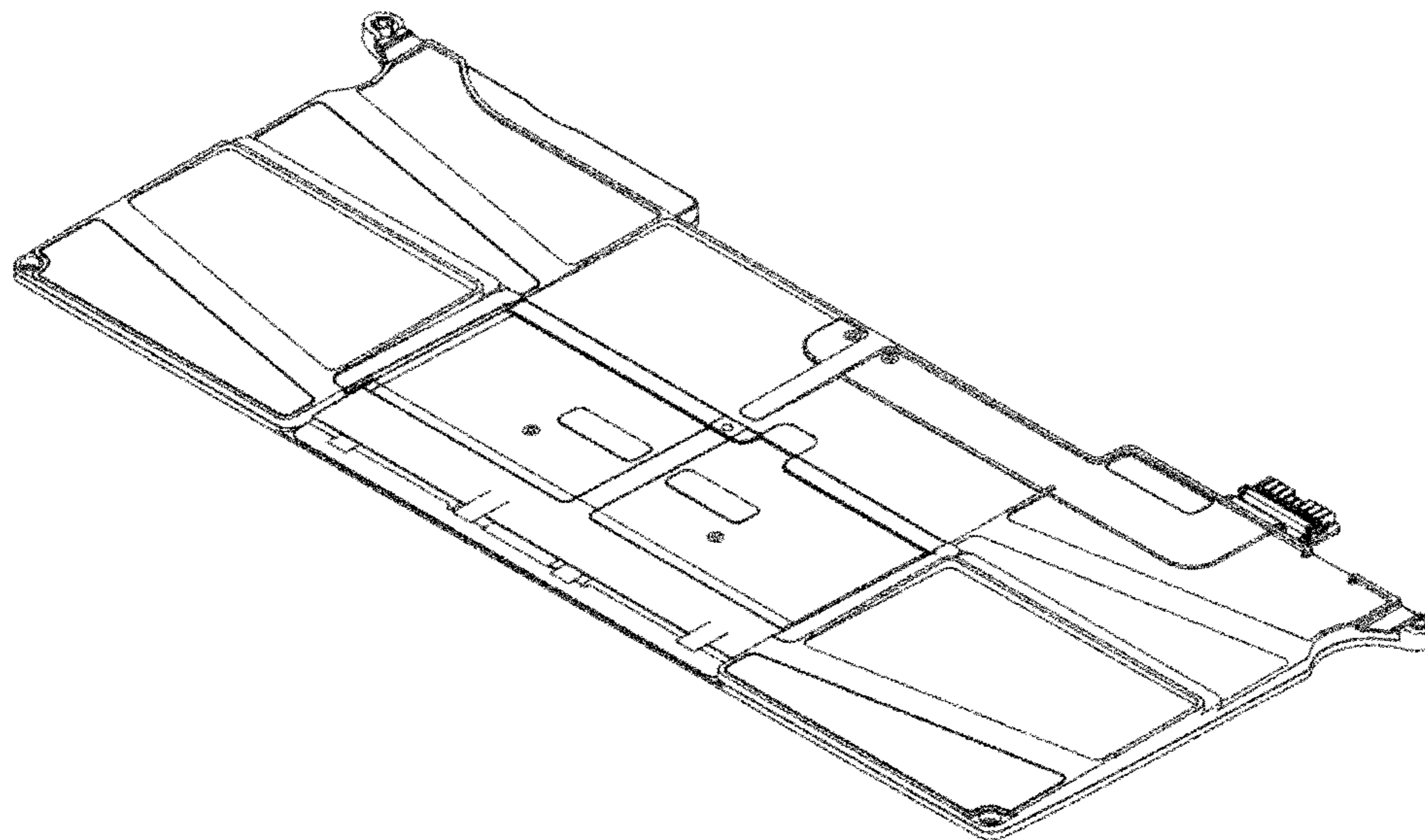
(57) **CLAIM**

The ornamental design for an electronic device, as shown and described.

**DESCRIPTION**

FIG. 1 is a top, front, right perspective view of an electronic device showing our new design;  
FIG. 2 is a top view thereof;  
FIG. 3 is a bottom view thereof;  
FIG. 4 is a rear view thereof;  
FIG. 5 is a front view thereof;  
FIG. 6 is a right side view thereof; and,  
FIG. 7 is a left side view thereof.

**1 Claim, 5 Drawing Sheets**



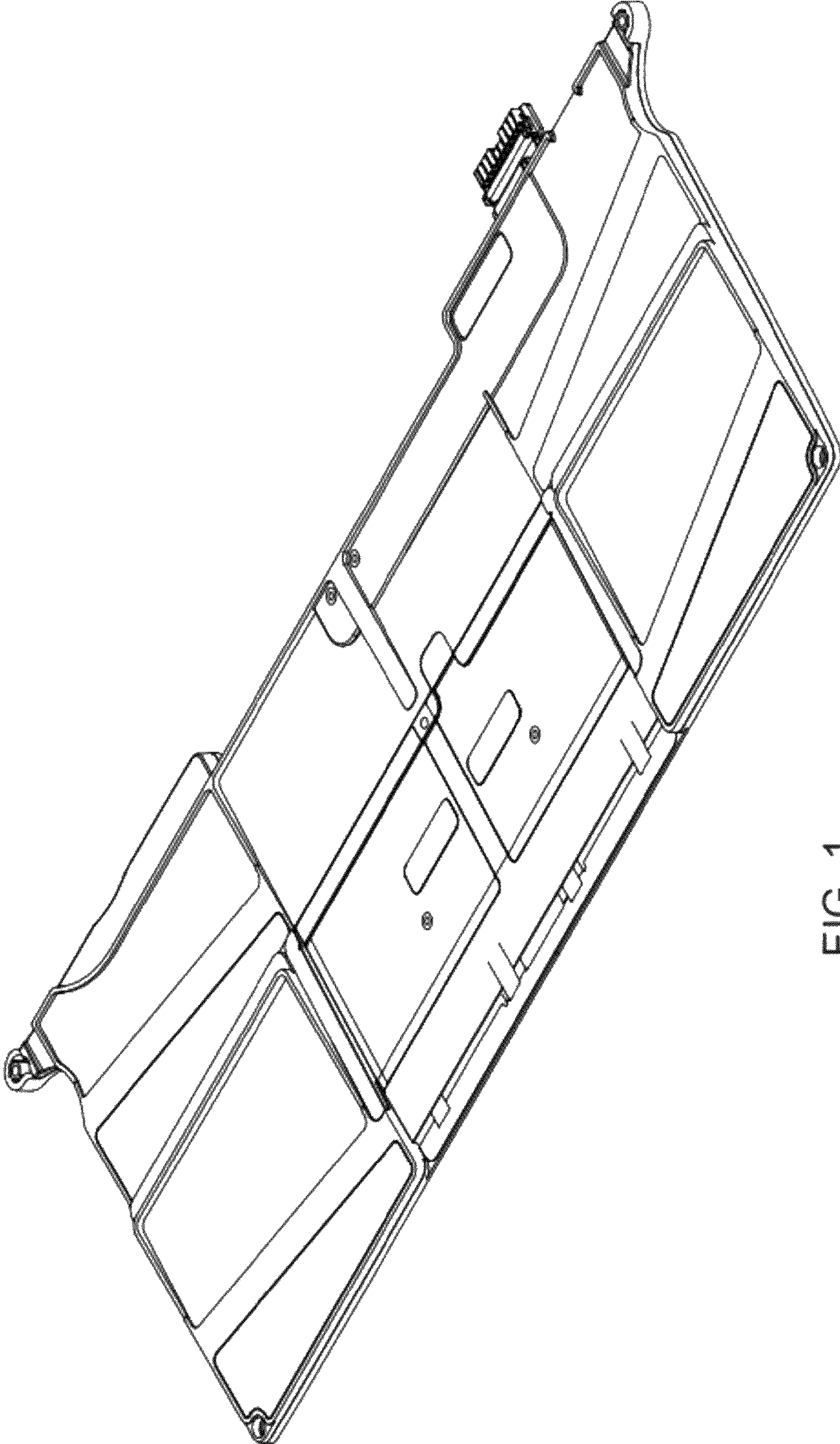


FIG. 1

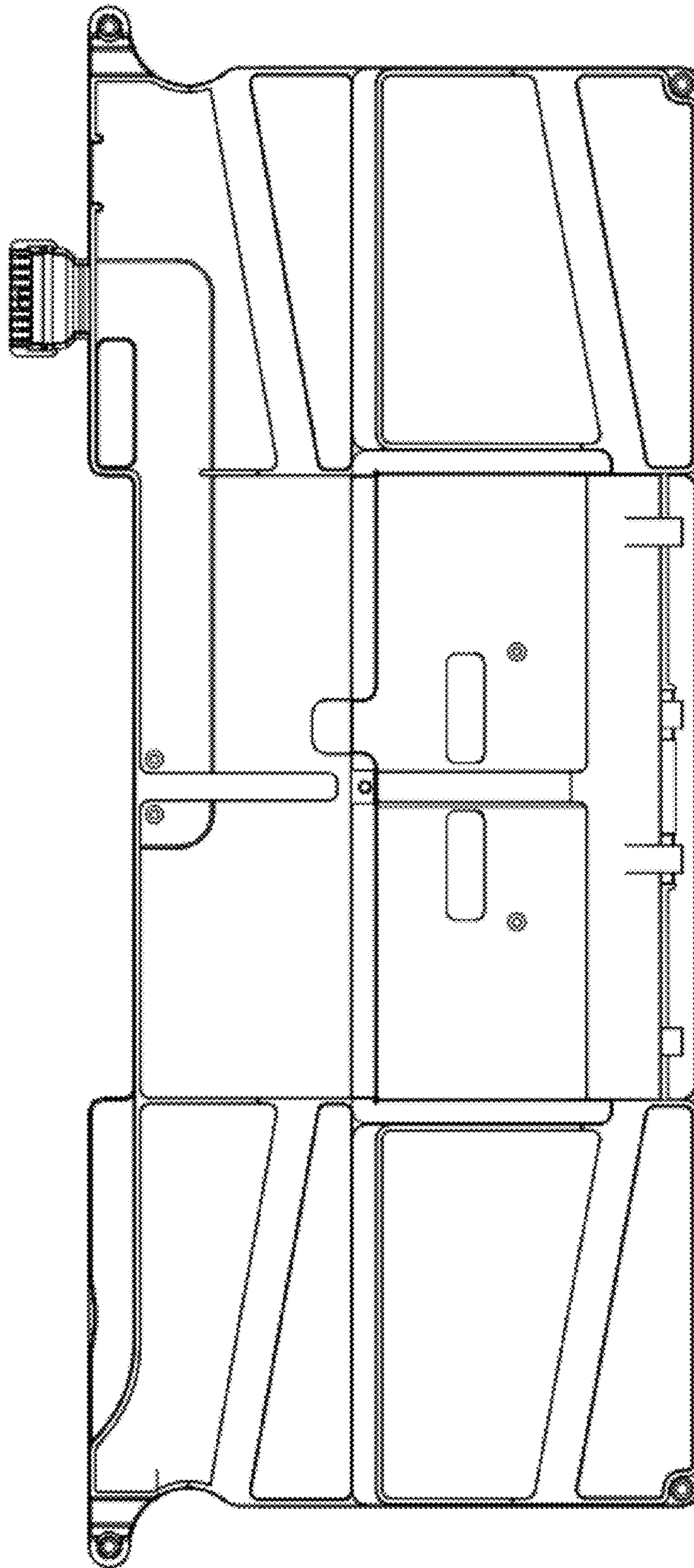


FIG. 2

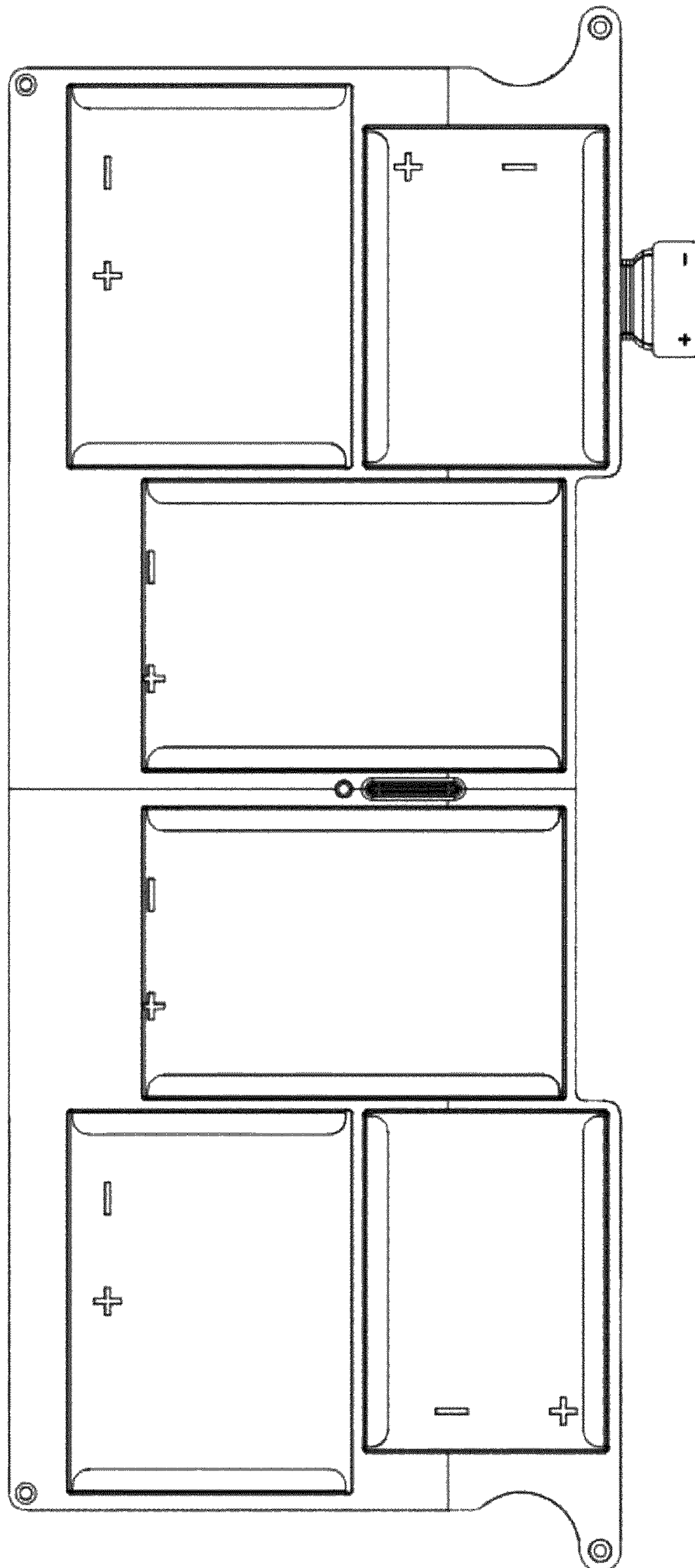


FIG. 3



FIG. 4



FIG. 5

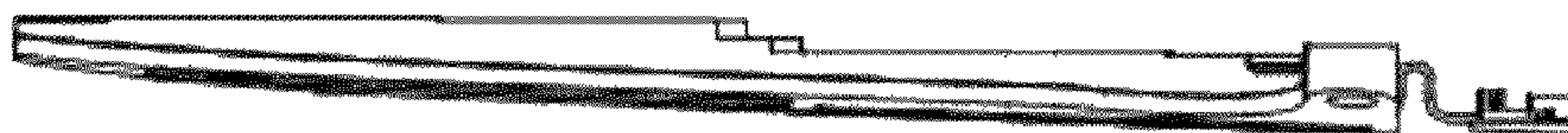


FIG. 6

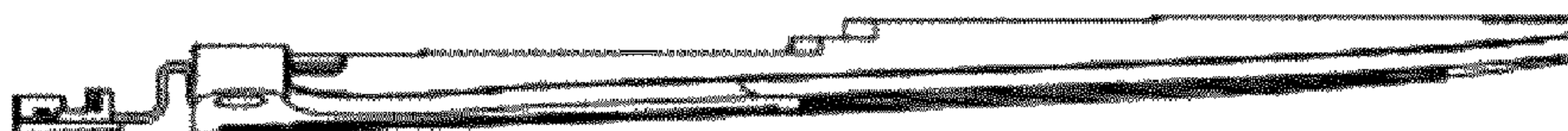


FIG. 7