



US00D658582S

(12) **United States Design Patent**
Looi

(10) **Patent No.:** **US D658,582 S**

(45) **Date of Patent:** **** May 1, 2012**

(54) **ELECTRIC EQUIPMENT BOX**

(75) Inventor: **Dwight Looi**, Sunnyvale, CA (US)

(73) Assignee: **Ibase Technology Inc.**, Taipei (TW)

(**) Term: **14 Years**

(21) Appl. No.: **29/388,206**

(22) Filed: **Mar. 25, 2011**

(30) **Foreign Application Priority Data**

Sep. 28, 2010 (TW) 99304904

(51) **LOC (9) Cl.** **13-02**

(52) **U.S. Cl.** **D13/110**

(58) **Field of Classification Search** D13/110,
D13/112, 118, 123, 133, 147, 156, 184, 199;
D14/167, 188, 265, 354, 355, 496, 498, 499,
D14/502; 174/50, 53; 361/600, 601, 622,
361/679, 683; 363/141, 144, 146, 147; 720/600,
720/601, 619

See application file for complete search history.

(56) **References Cited**

U.S. PATENT DOCUMENTS

D365,327 S *	12/1995	Reed et al.	D13/147
D375,937 S *	11/1996	Mergenthaler et al.	D13/110
D559,777 S *	1/2008	Hu et al.	D13/110
D601,957 S *	10/2009	Blake et al.	D13/110
D636,333 S *	4/2011	Kulikowski	D13/110

* cited by examiner

Primary Examiner — Derrick Holland

(74) *Attorney, Agent, or Firm* — Rabin & Berdo, P.C.

(57) **CLAIM**

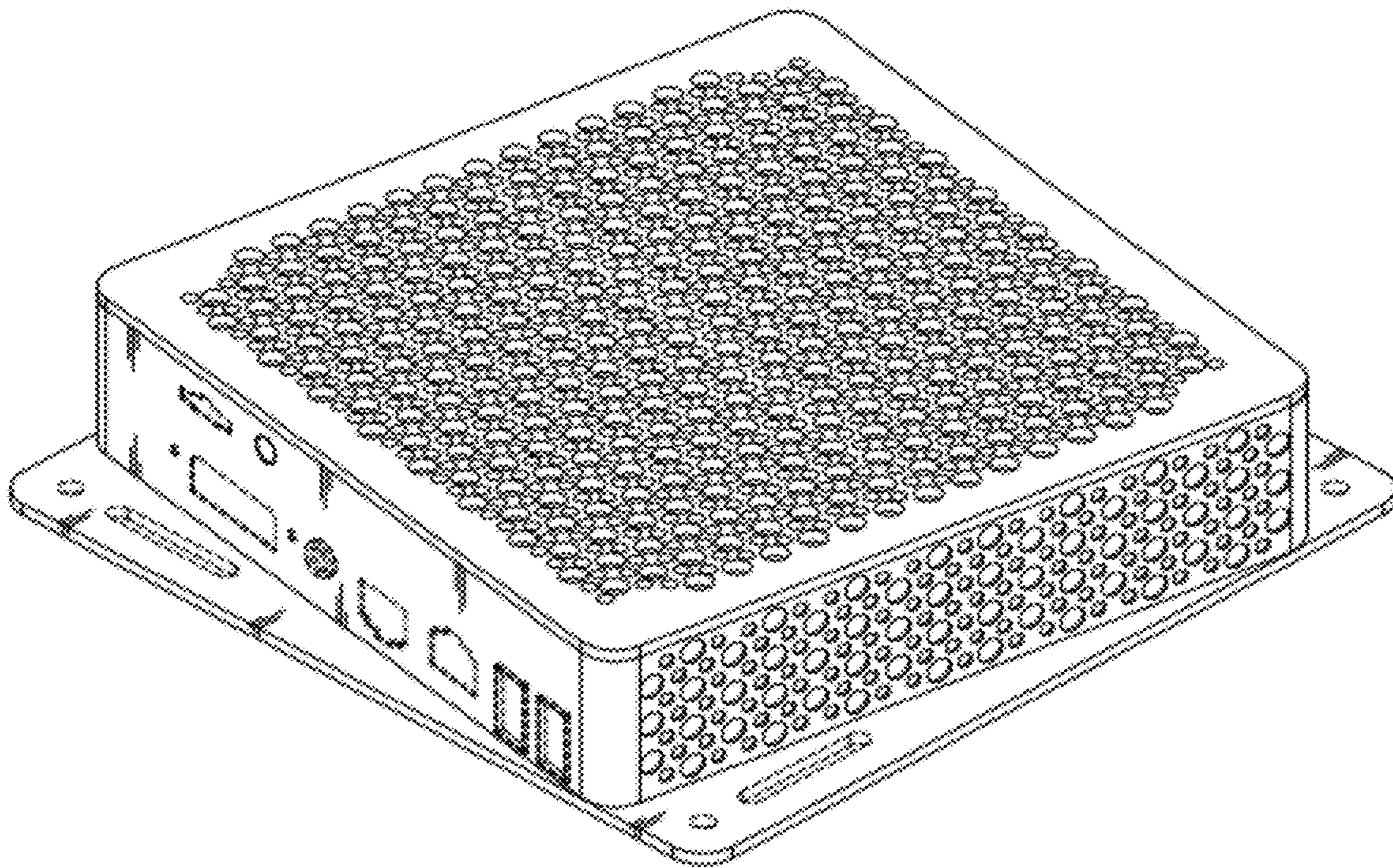
The ornamental design for an electric equipment box, as shown and described.

DESCRIPTION

FIG. 1 is a perspective view of an electric equipment box showing my new design; FIG. 2 is a front elevational view thereof; FIG. 3 is a rear elevational view thereof; FIG. 4 is a left elevational view thereof; FIG. 5 is a right elevational view thereof; FIG. 6 is a top view thereof; and, FIG. 7 is a bottom view.

The broken line portion of the figure drawings is included to show unclaimed subject matter only and forms no part of the claimed design.

1 Claim, 7 Drawing Sheets



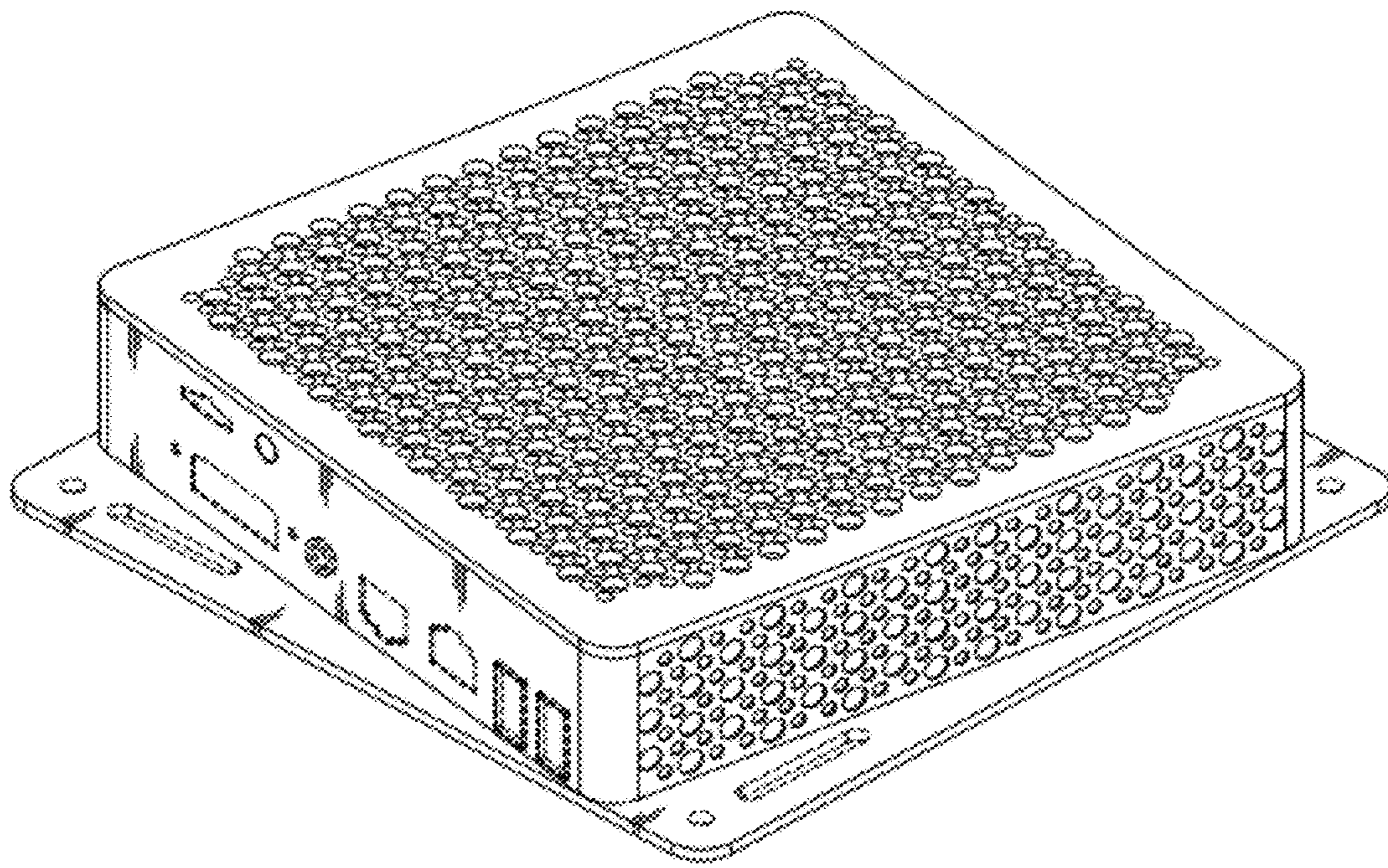


FIG. 1

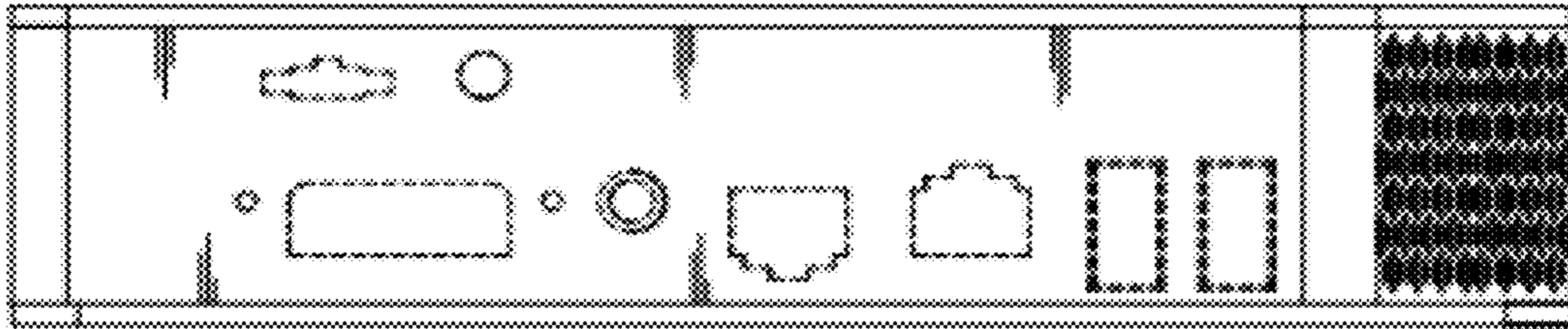


FIG. 2

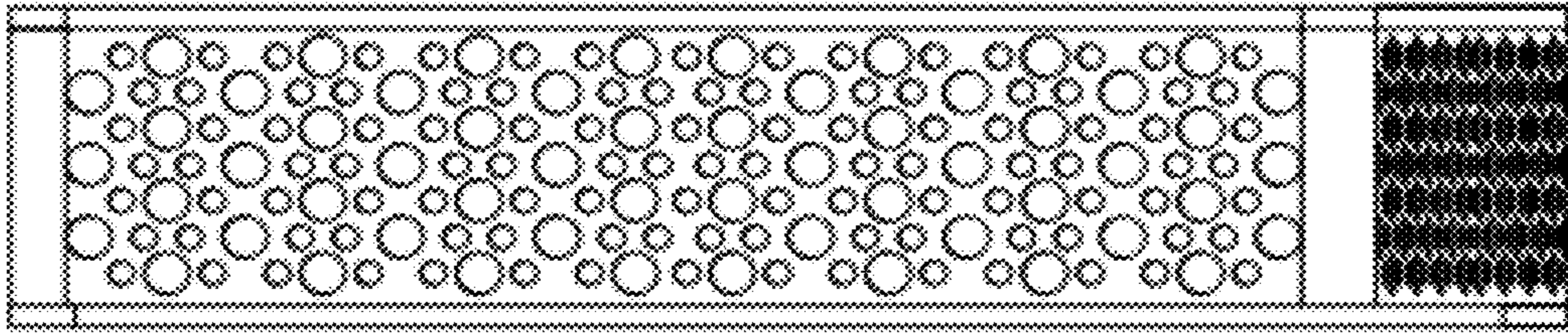


FIG. 3

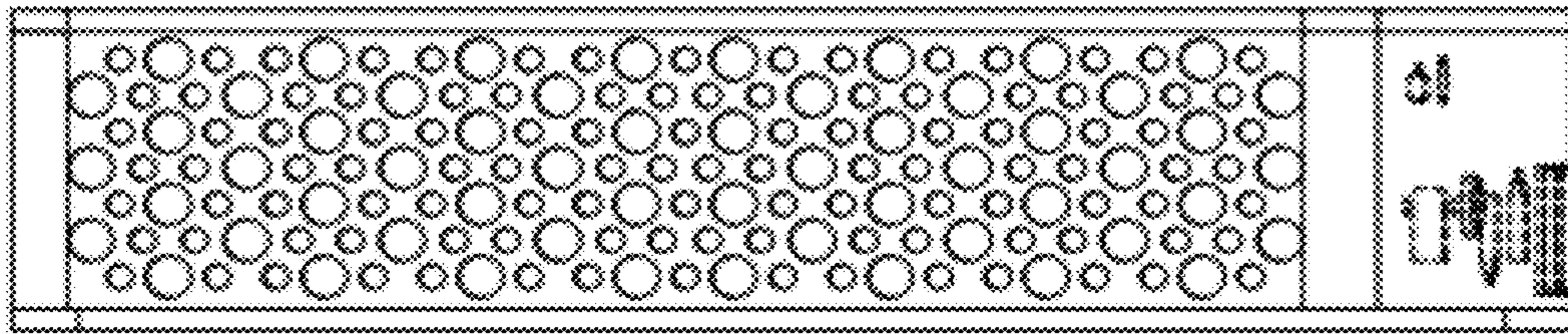


FIG. 4

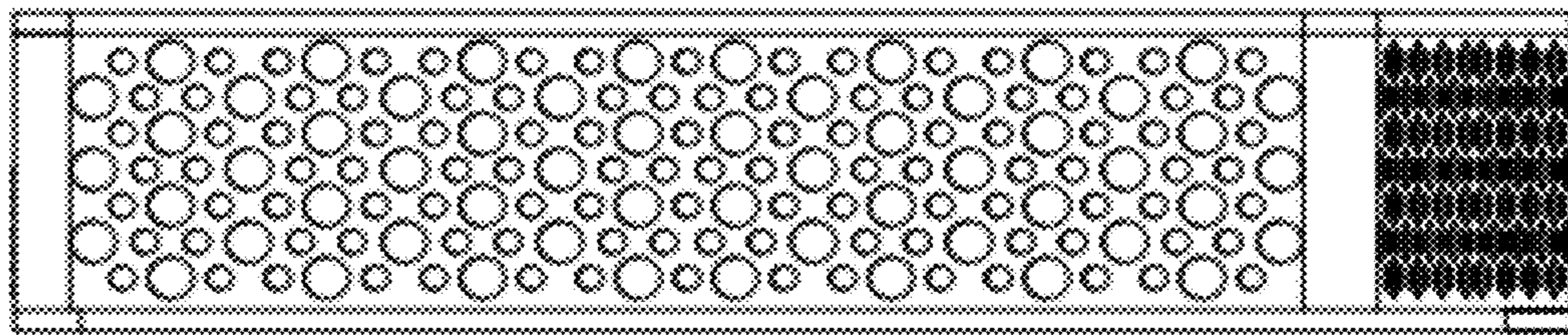


FIG. 5

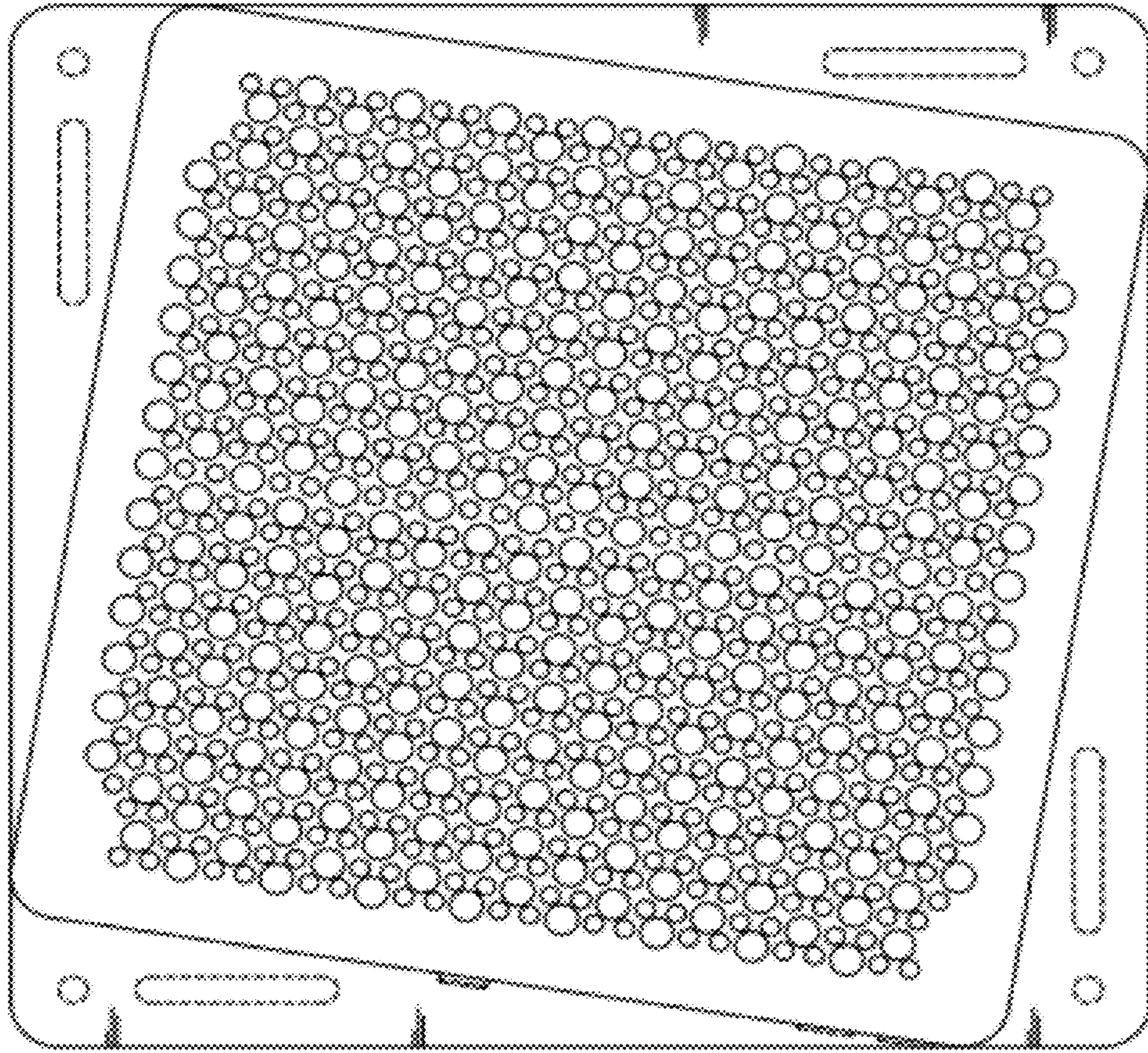


FIG. 6

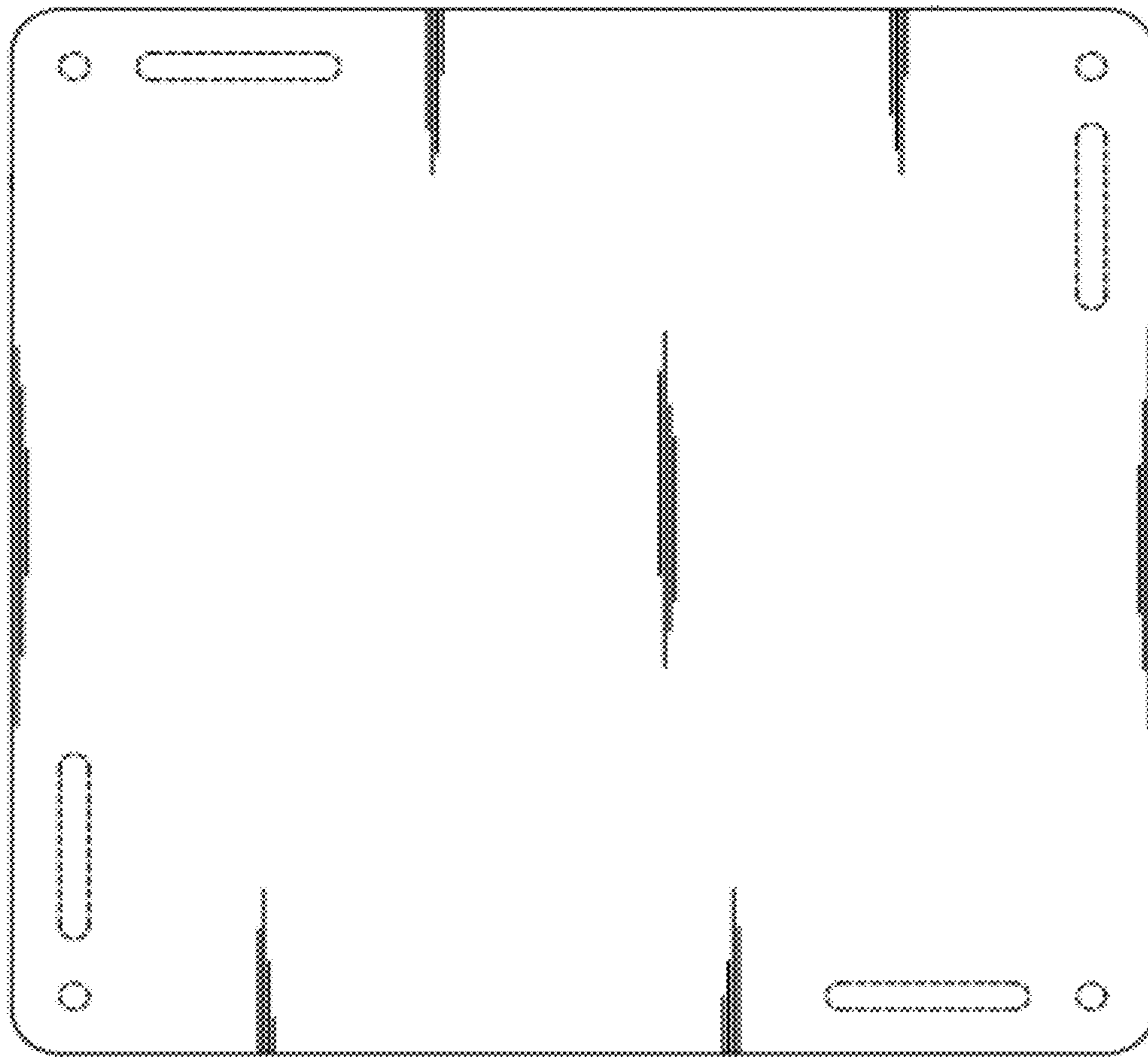


FIG. 7