

US00D658579S

(12) **United States Design Patent**
Miyawaki et al.

(10) **Patent No.:** **US D658,579 S**
(45) **Date of Patent:** **** May 1, 2012**

(54) **BATTERY MODULE**

(75) Inventors: **Yasutaka Miyawaki**, Kyoto (JP);
Yoshinori Ishimoto, Kyoto (JP);
Atsushi Nishida, Kyoto (JP); **Hirokazu Ito**, Kyoto (JP)

(73) Assignee: **GS Yuasa International Ltd.**,
Kyoto-shi, Kyoto (JP)

(**) Term: **14 Years**

(21) Appl. No.: **29/401,239**

(22) Filed: **Sep. 9, 2011**

(30) **Foreign Application Priority Data**

Mar. 10, 2011 (JP) D 2011-005541

(51) **LOC (9) Cl.** **13-02**

(52) **U.S. Cl.** **D13/104**

(58) **Field of Classification Search** D13/102-106,
D13/110, 118-119, 184

See application file for complete search history.

(56) **References Cited**

U.S. PATENT DOCUMENTS

1,501,832 A * 7/1924 Amend 429/96
3,105,909 A * 10/1963 Jones 307/10.1

5,663,007 A * 9/1997 Ikoma et al. 429/53
D553,565 S * 10/2007 Kawakita et al. D13/119
D604,696 S * 11/2009 Tasai D13/104
D615,489 S * 5/2010 Masuda et al. D13/103
D623,127 S * 9/2010 Seyama et al. D13/104
D633,863 S * 3/2011 Qualls et al. D13/106
D635,508 S * 4/2011 Seyama et al. D13/104
D640,192 S * 6/2011 Robinson et al. D13/107

* cited by examiner

Primary Examiner — Rosemary K Tarca

(74) *Attorney, Agent, or Firm* — Buchanan Ingersoll & Rooney PC

(57) **CLAIM**

The ornamental design for a battery module, as shown and described.

DESCRIPTION

FIG. 1 is a perspective view of a battery module showing our new design;

FIG. 2 is a front elevational view thereof;

FIG. 3 is a rear elevational view thereof;

FIG. 4 is a left side view thereof;

FIG. 5 is a right side view thereof;

FIG. 6 is a top plan view thereof; and,

FIG. 7 is a bottom plan view thereof;

FIG. 8 is an exploded top perspective view thereof; and,

FIG. 9 is an exploded bottom perspective view thereof.

1 Claim, 7 Drawing Sheets

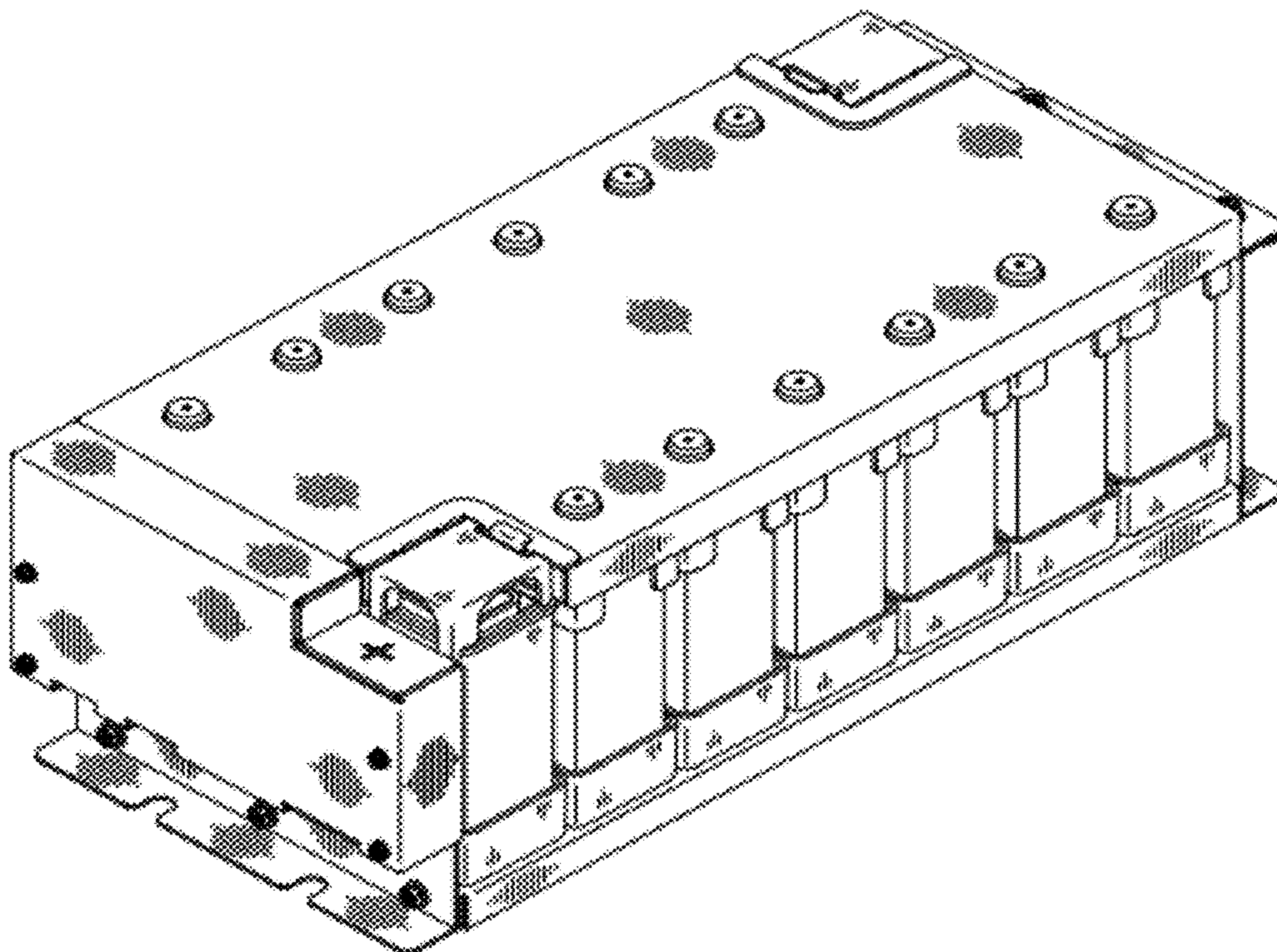


Fig. 1

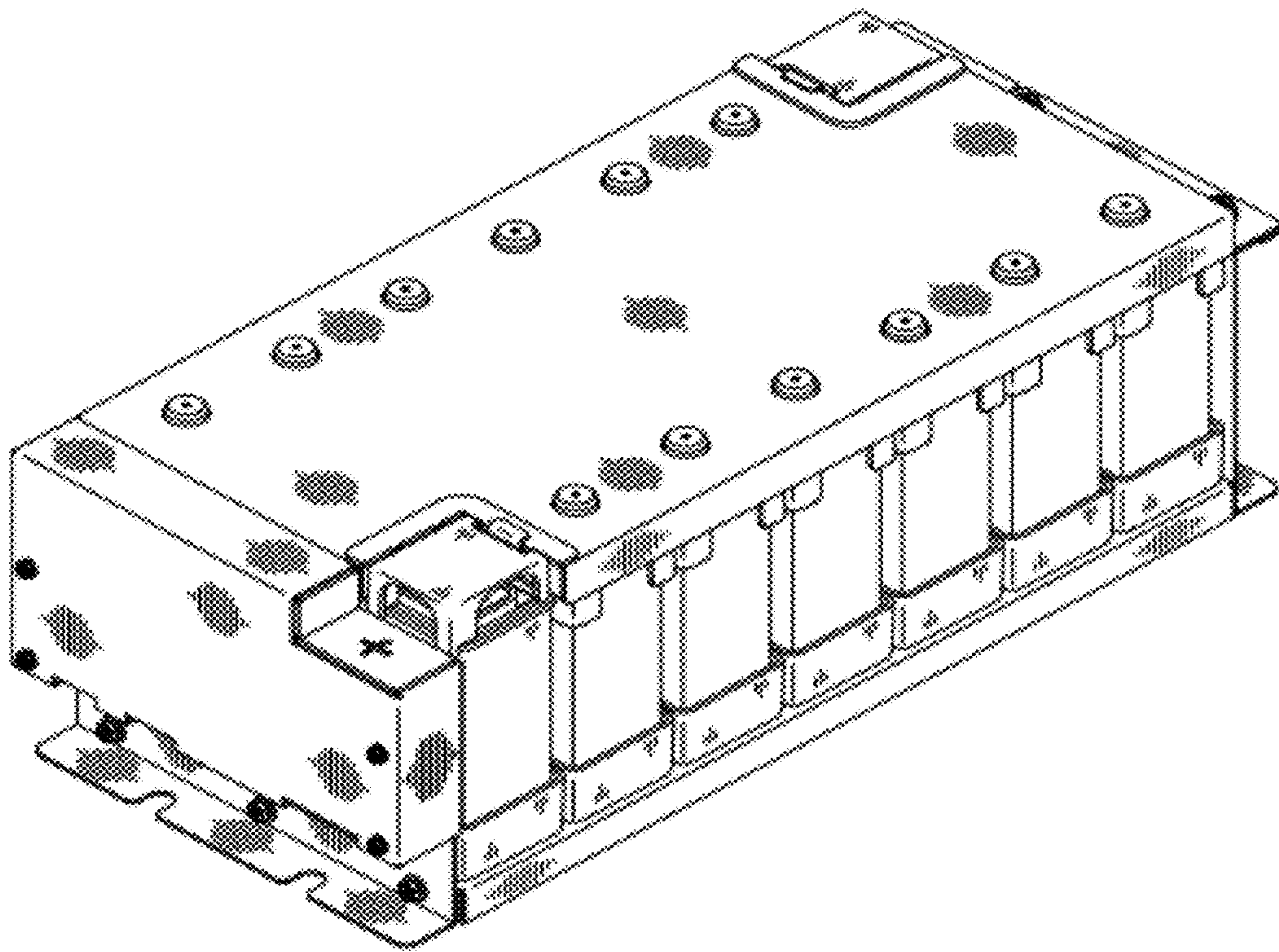


Fig. 2

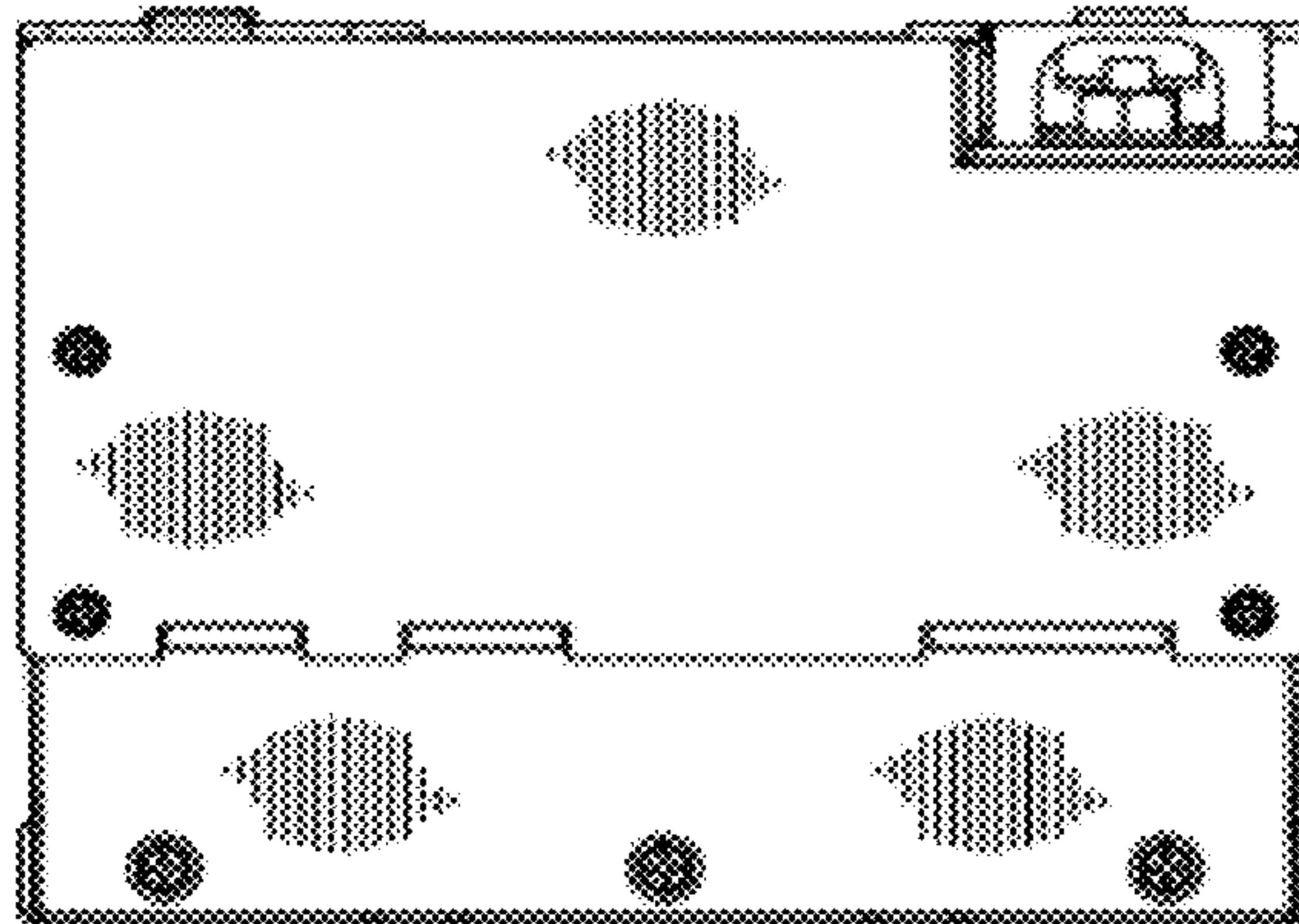


Fig. 3

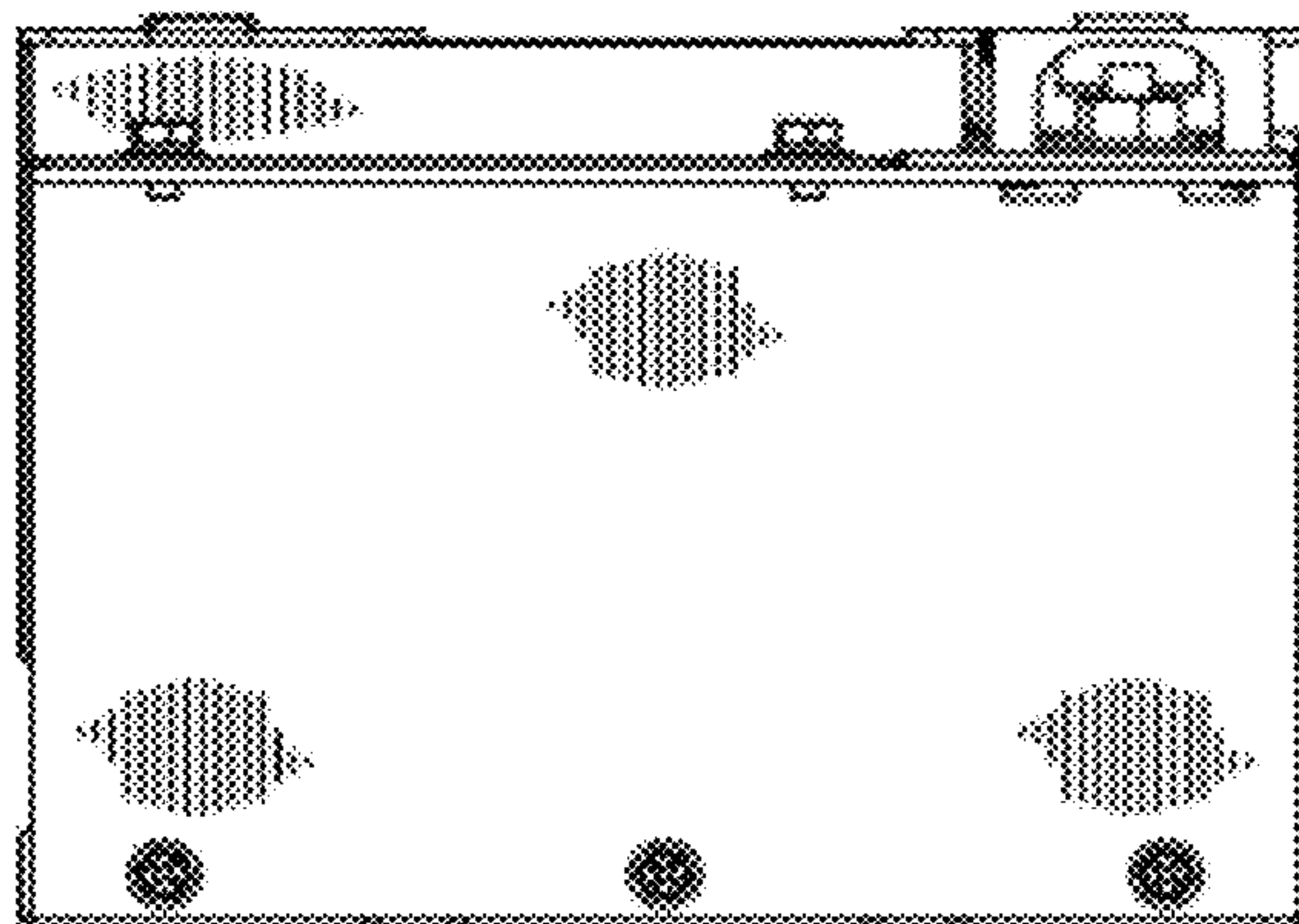


Fig. 4

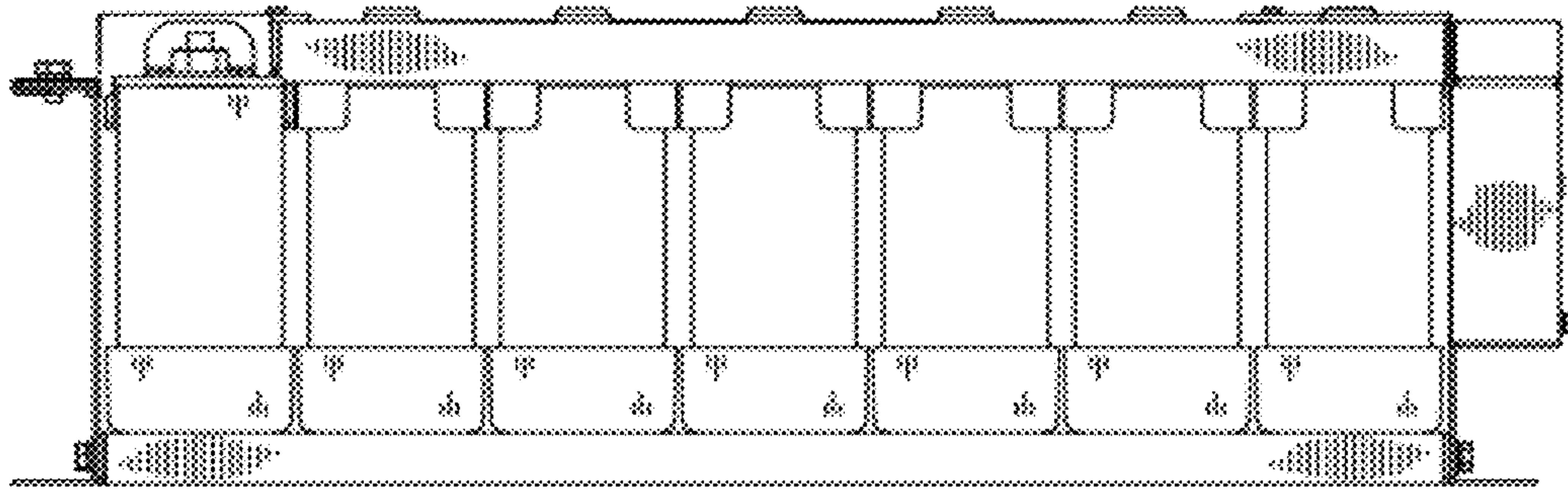


Fig. 5

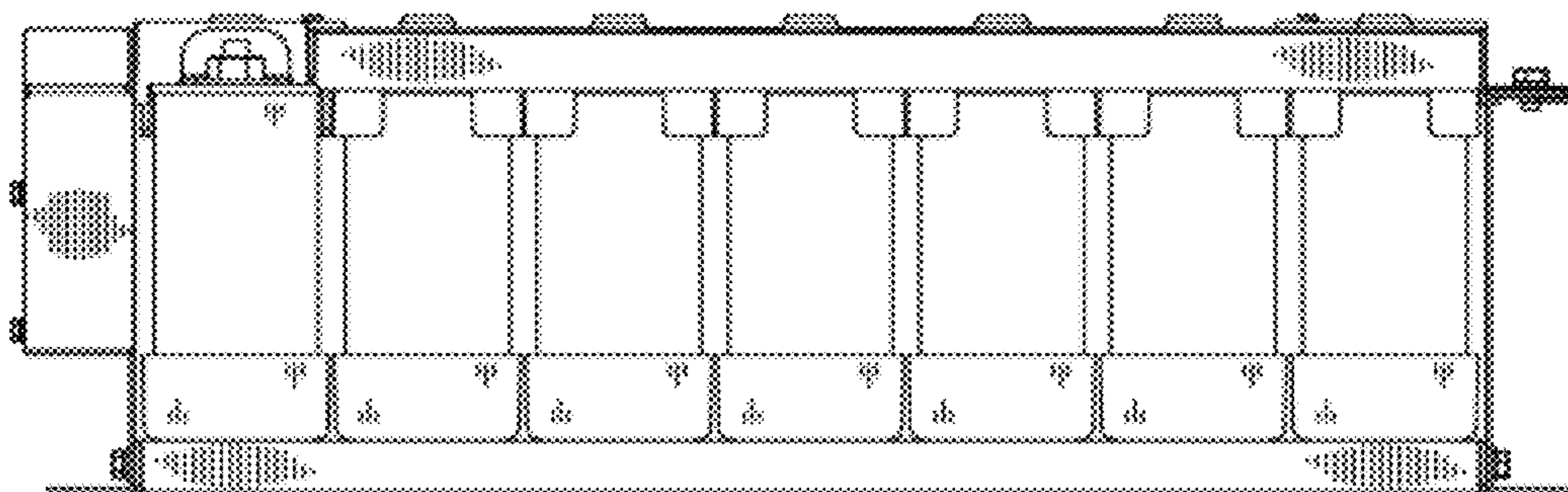


Fig. 6

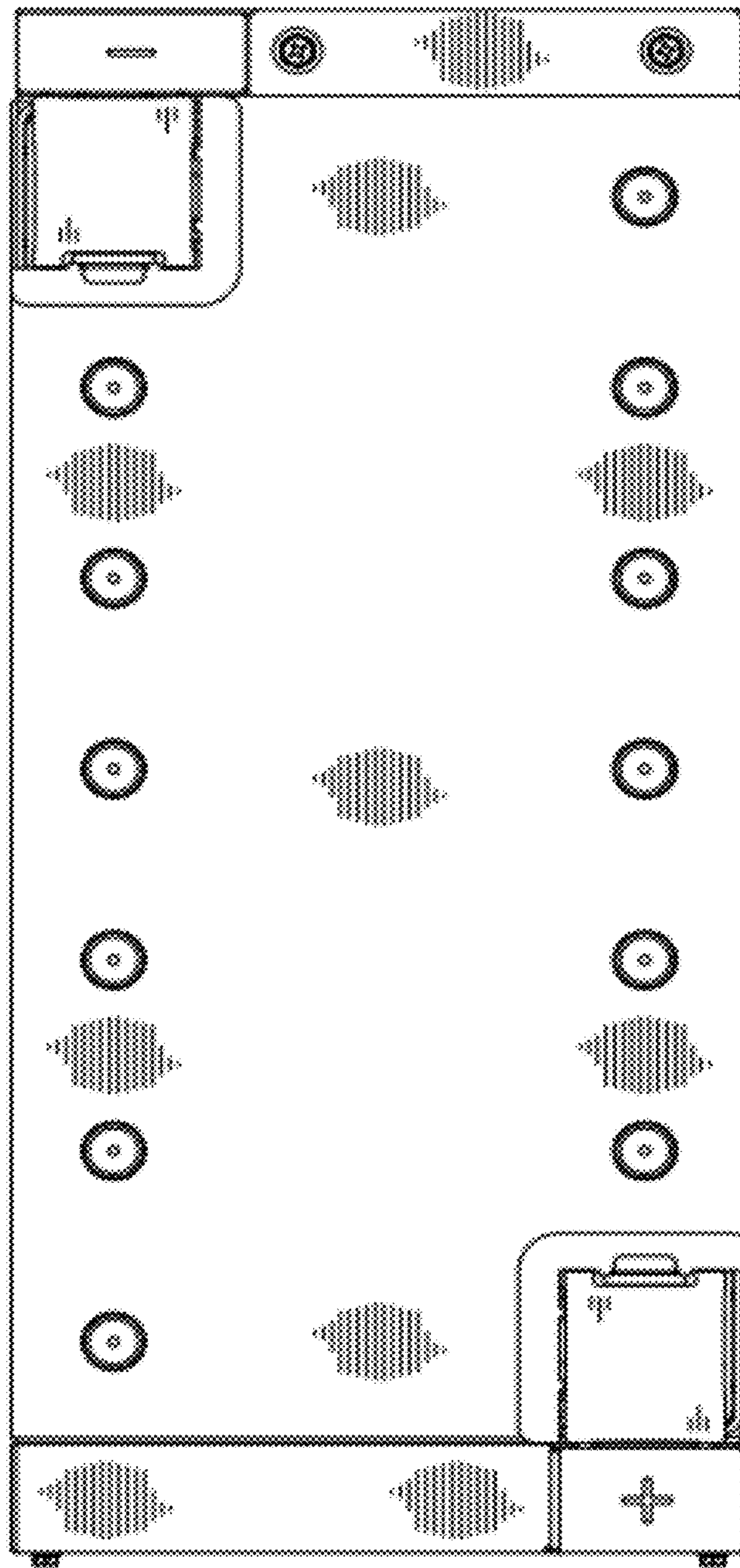


Fig. 7

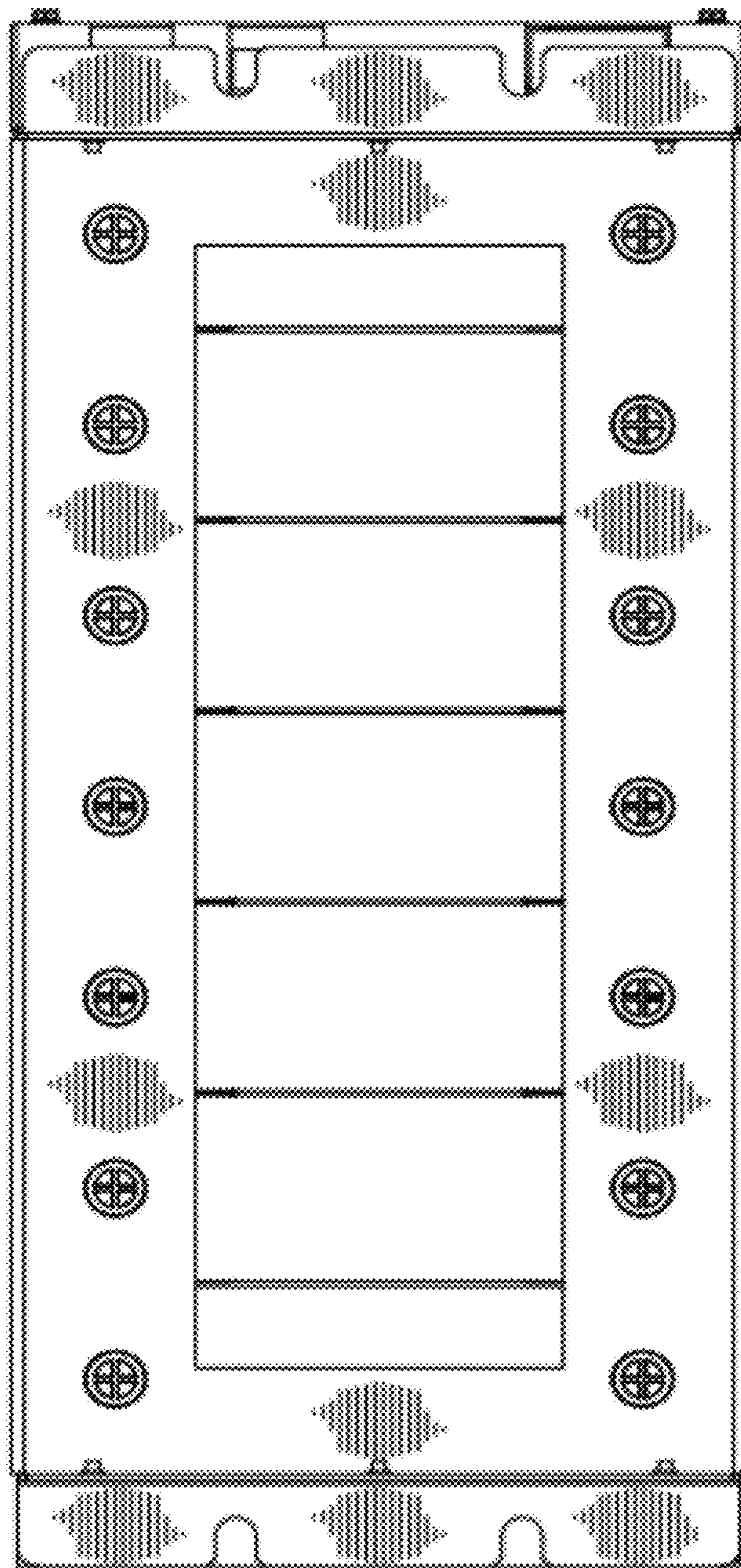


Fig. 8

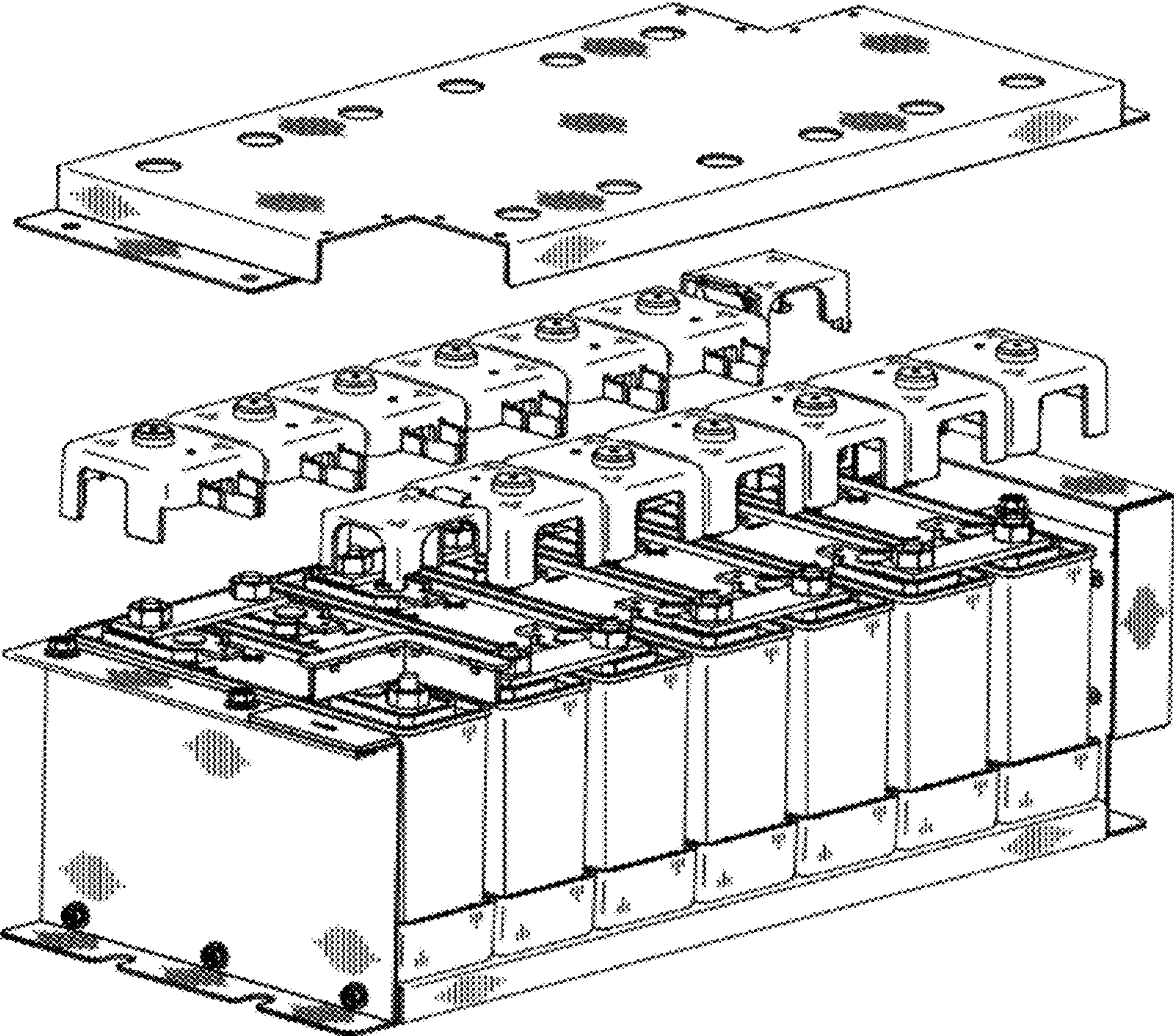


Fig. 9

