



US00D658578S

(12) **United States Design Patent**  
**Davis**

(10) **Patent No.:** **US D658,578 S**

(45) **Date of Patent:** **\*\* May 1, 2012**

(54) **BATTERY PACK**

(75) Inventor: **Roger Brandon Davis**, Clinton, NJ (US)

(73) Assignee: **Ingersoll-Rand Company**, Davidson, NC (US)

(\*\*) Term: **14 Years**

(21) Appl. No.: **29/398,985**

(22) Filed: **Aug. 8, 2011**

(51) **LOC (9) Cl.** ..... **13-02**

(52) **U.S. Cl.** ..... **D13/103**

(58) **Field of Classification Search** ..... D13/102–106,  
D13/110, 118–119, 184; 429/96–100, 163,  
429/176

See application file for complete search history.

(56) **References Cited**

**U.S. PATENT DOCUMENTS**

|              |         |                    |         |
|--------------|---------|--------------------|---------|
| D550,152 S * | 9/2007  | Okuda et al. ....  | D13/103 |
| D555,086 S * | 11/2007 | Zhang .....        | D13/103 |
| D562,227 S * | 2/2008  | Yamada et al. .... | D13/103 |
| D562,228 S * | 2/2008  | Okada et al. ....  | D13/103 |
| D568,239 S * | 5/2008  | Okada et al. ....  | D13/103 |
| D588,986 S * | 3/2009  | Zhang .....        | D13/110 |
| D589,439 S * | 3/2009  | Van Wambeke .....  | D13/103 |
| D589,440 S * | 3/2009  | Van Wambeke .....  | D13/103 |
| D589,441 S * | 3/2009  | Van Wambeke .....  | D13/103 |
| D622,661 S * | 8/2010  | Yamada et al. .... | D13/103 |
| D633,036 S * | 2/2011  | Murray .....       | D13/103 |
| D639,730 S * | 6/2011  | Kawase .....       | D13/103 |
| D640,628 S * | 6/2011  | Lopano et al. .... | D13/103 |

\* cited by examiner

*Primary Examiner* — Rosemary K Tarcza

(74) *Attorney, Agent, or Firm* — Myers Bigel Sibley & Sajovec, P.A.

(57) **CLAIM**

The ornamental design for a battery pack, as shown and described.

**DESCRIPTION**

FIG. 1 is a front perspective view of a battery pack, showing my new design;

FIG. 2 is a rear perspective view thereof;

FIG. 3 is a side view thereof;

FIG. 4 is a side view thereof, opposite that shown in FIG. 3;

FIG. 5 is a top plan view thereof;

FIG. 6 is a bottom plan view thereof (which is disclaimed in its entirety), opposite that shown in FIG. 5;

FIG. 7 is an end view thereof;

FIG. 8 is an end view thereof, opposite that shown in FIG. 7;

FIG. 9 is a front perspective view of the battery pack shown in FIG. 1, but illustrated with a different sized bottom housing according to another exemplary environment;

FIG. 10 is a rear perspective view of the battery pack of FIG. 9;

FIG. 11 is a side view of the battery pack of FIG. 9;

FIG. 12 is a side view thereof, opposite that shown in FIG. 11;

FIG. 13 is a top plan view of the battery pack of FIG. 9;

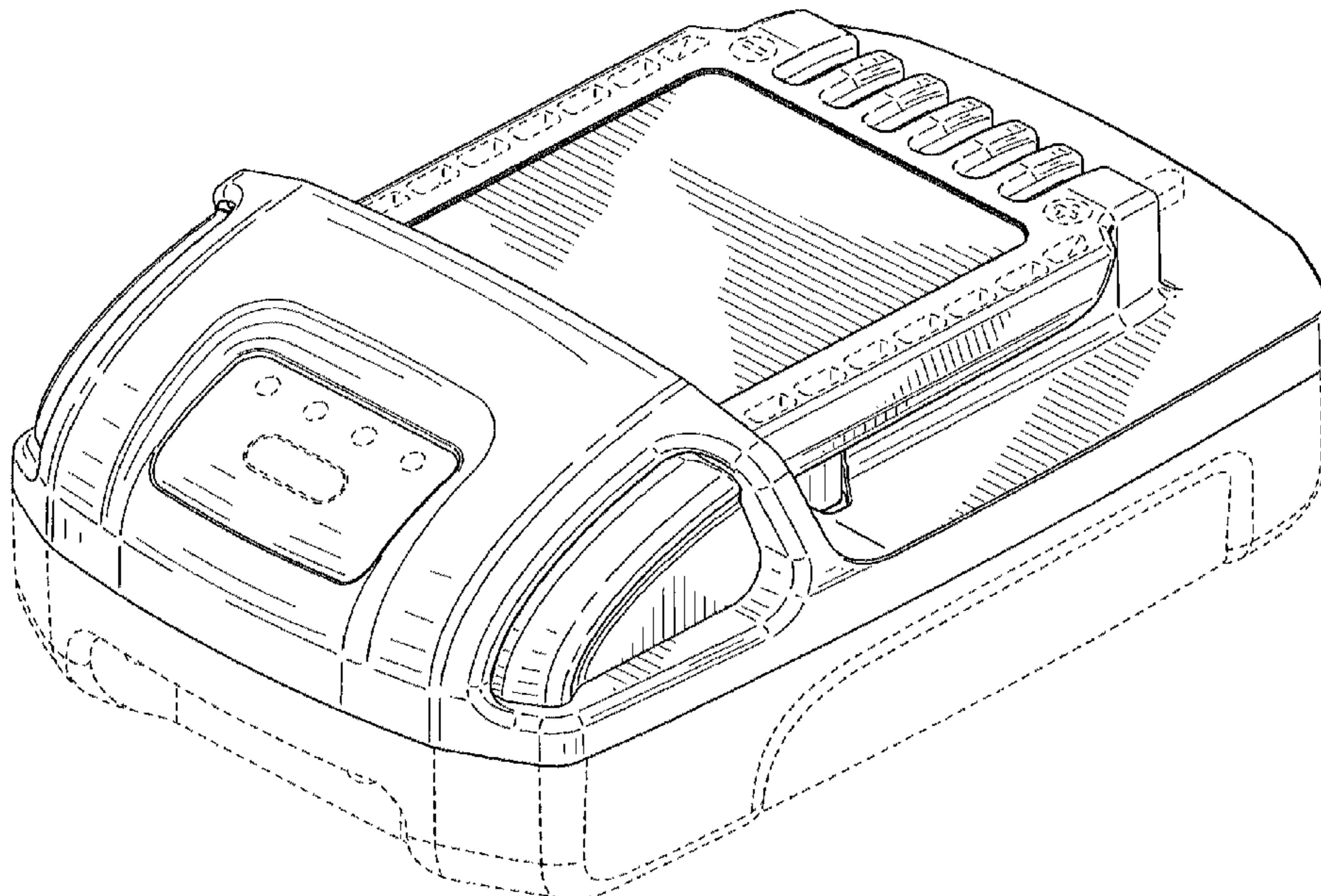
FIG. 14 is a bottom plan view thereof (which is disclaimed in its entirety), opposite that shown in FIG. 13;

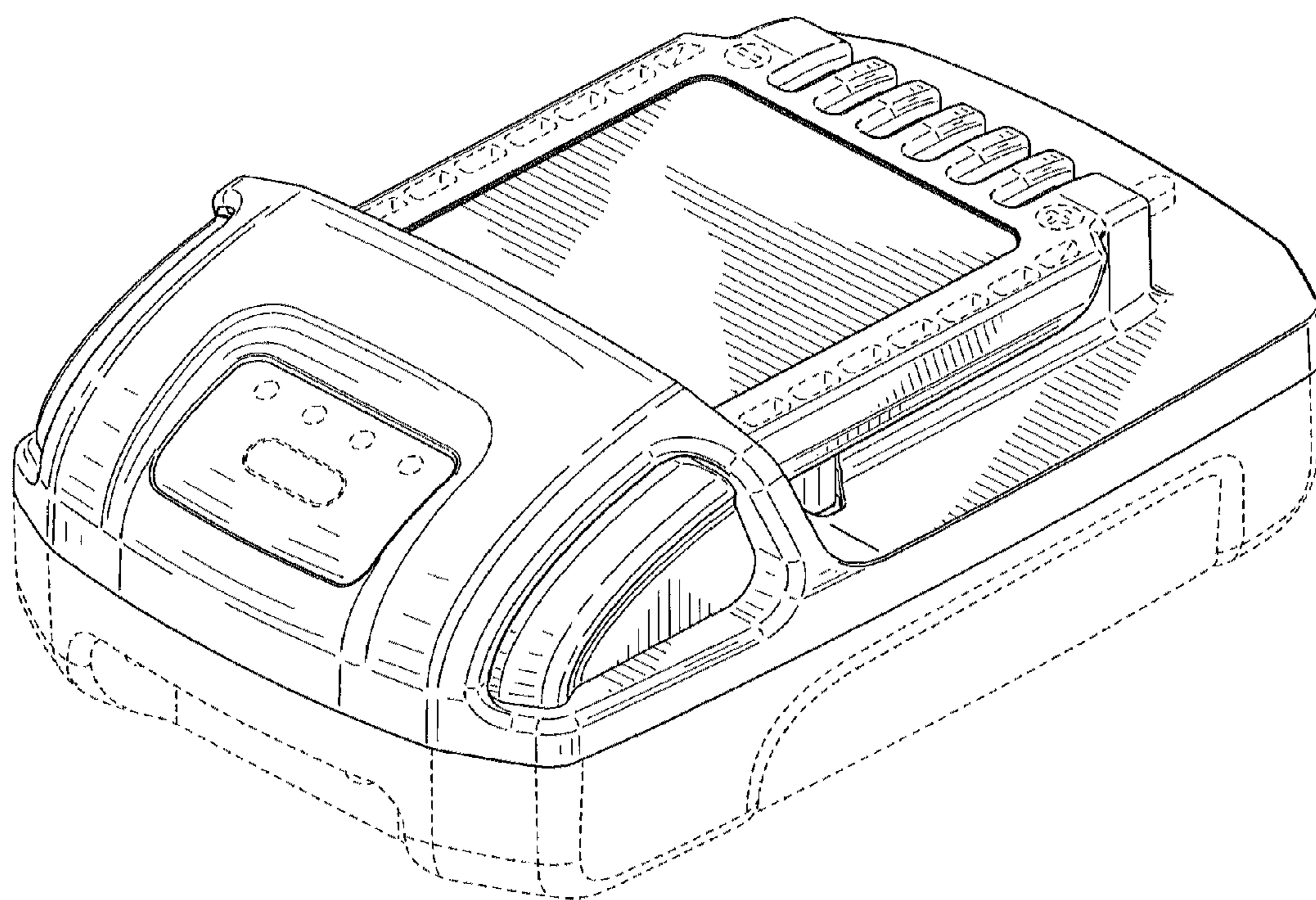
FIG. 15 is an end view of the battery pack of FIG. 9; and,

FIG. 16 is an end view thereof, opposite that shown in FIG. 15.

The broken lines shown herein are for illustrative purposes only and form no part of the claimed design.

**1 Claim, 10 Drawing Sheets**





**FIG. 1**

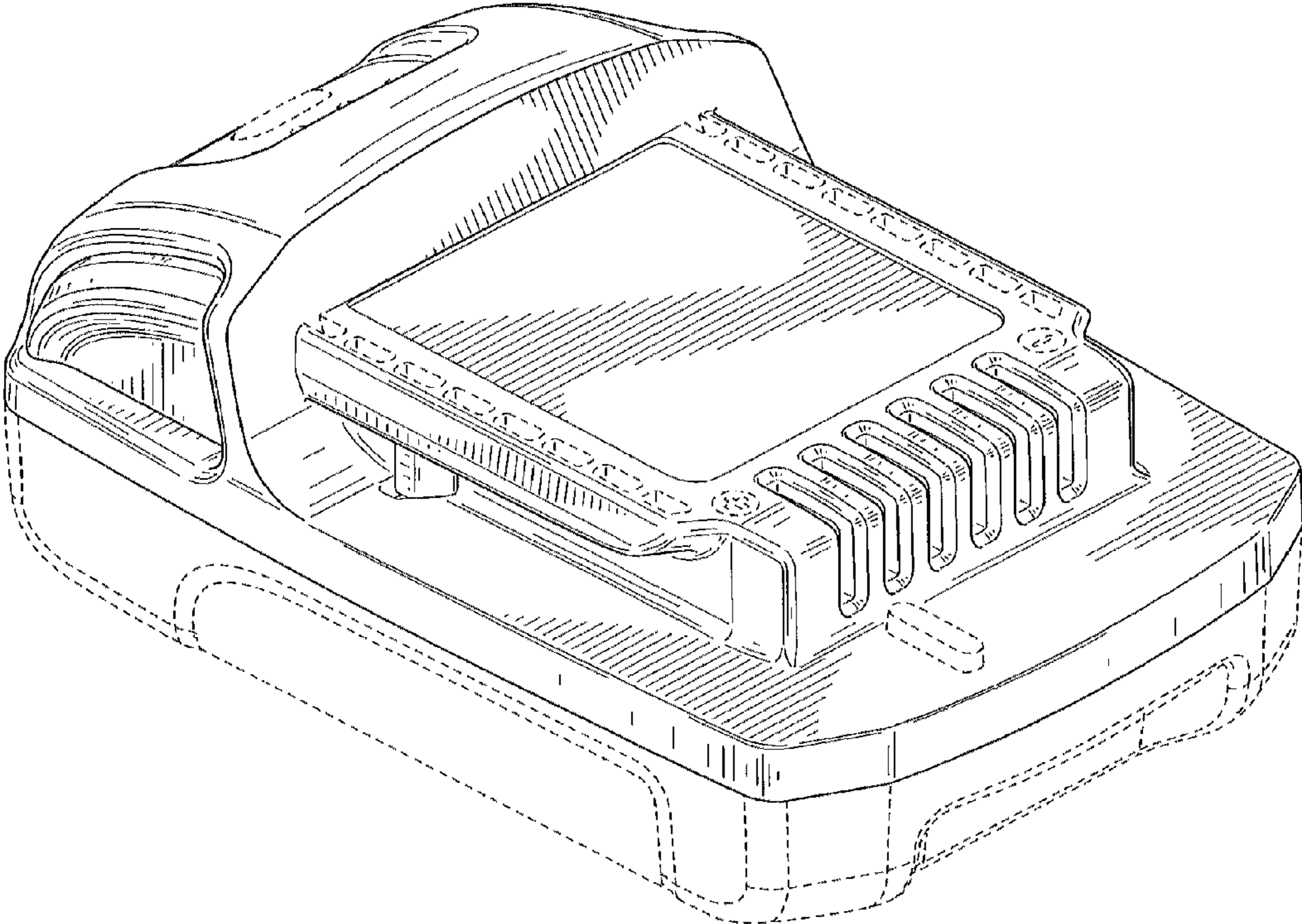


FIG. 2

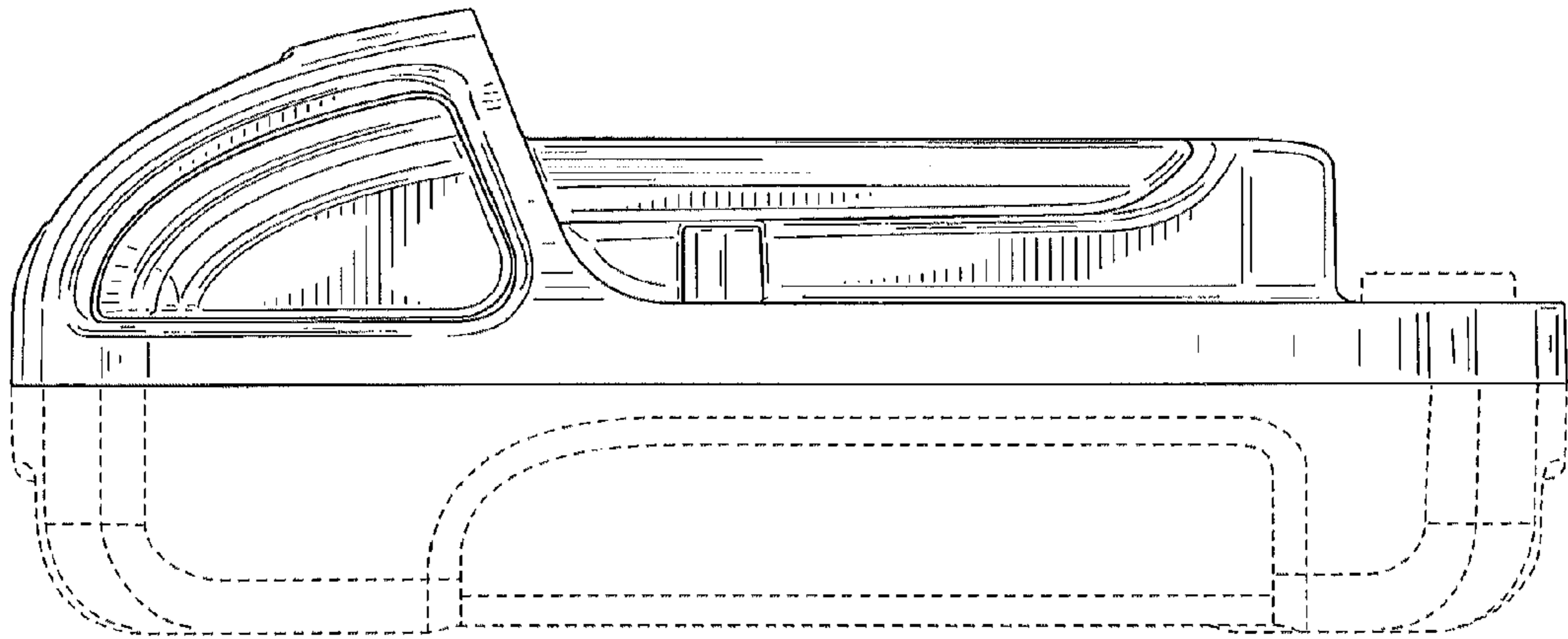


FIG. 3

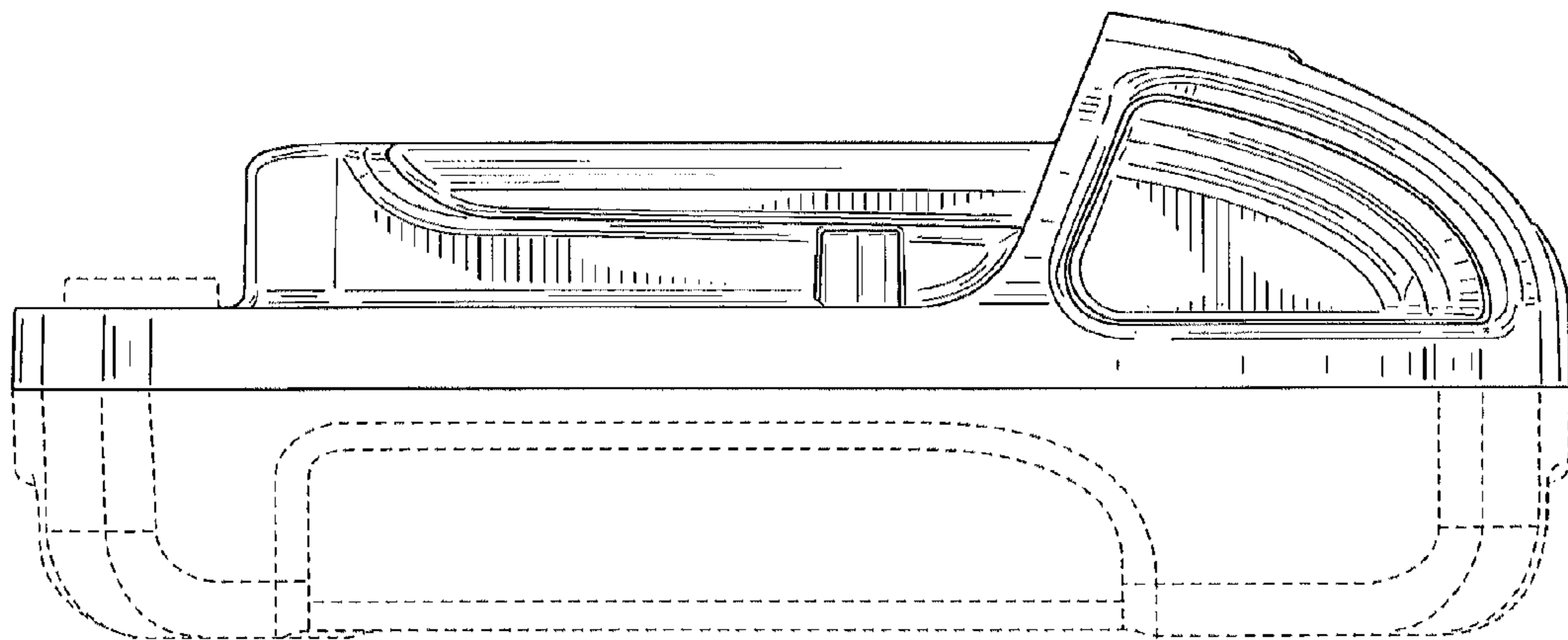


FIG. 4

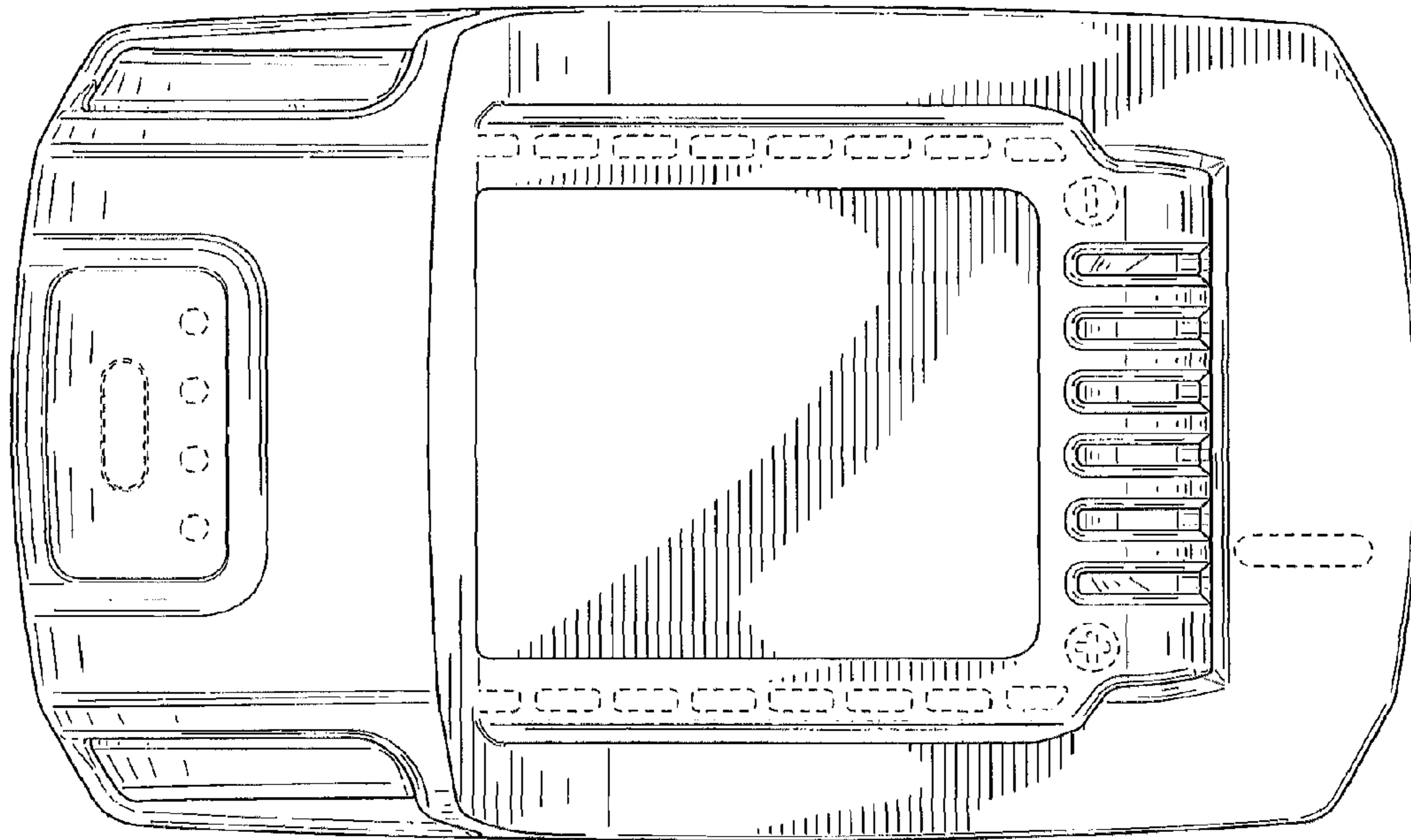


FIG. 5

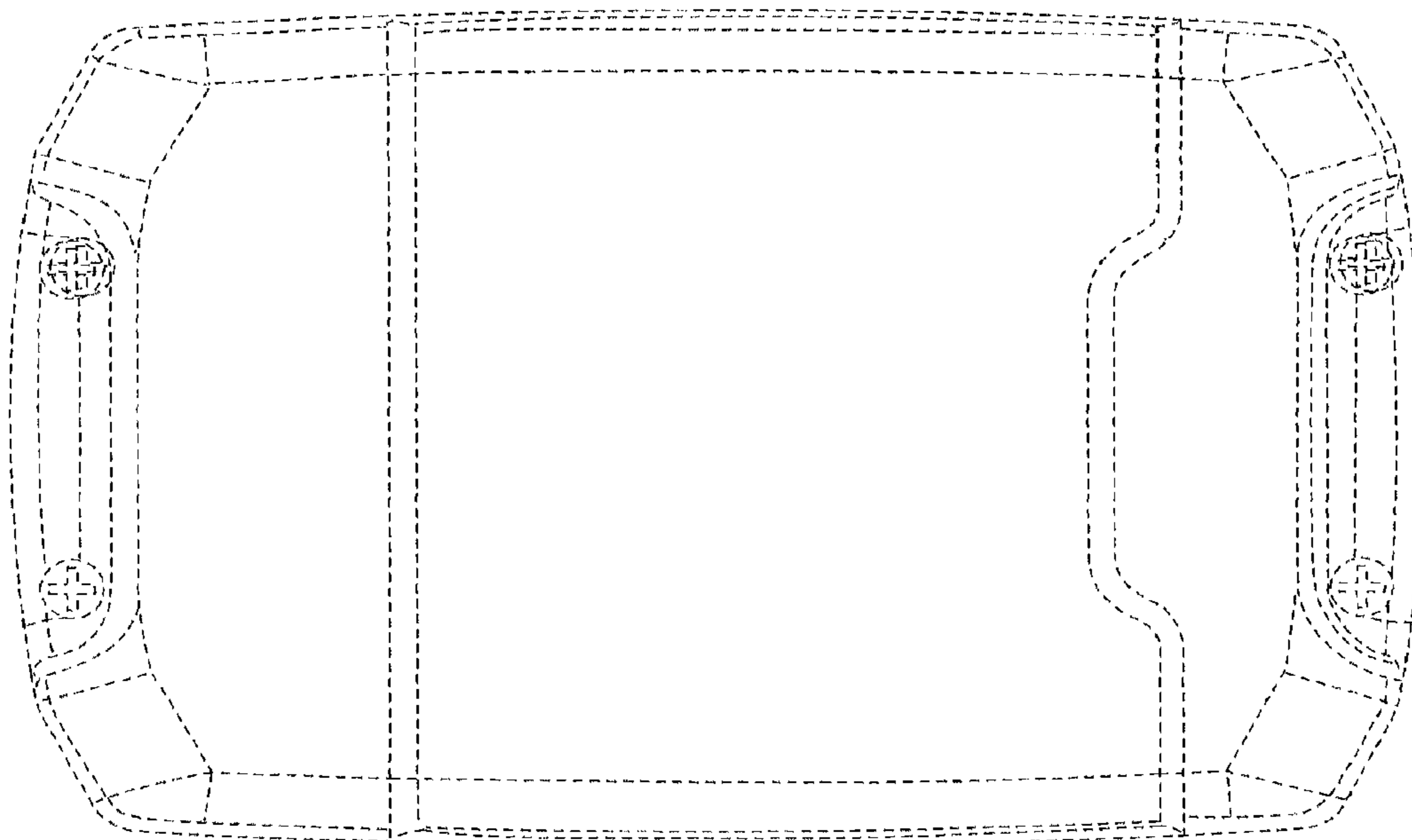
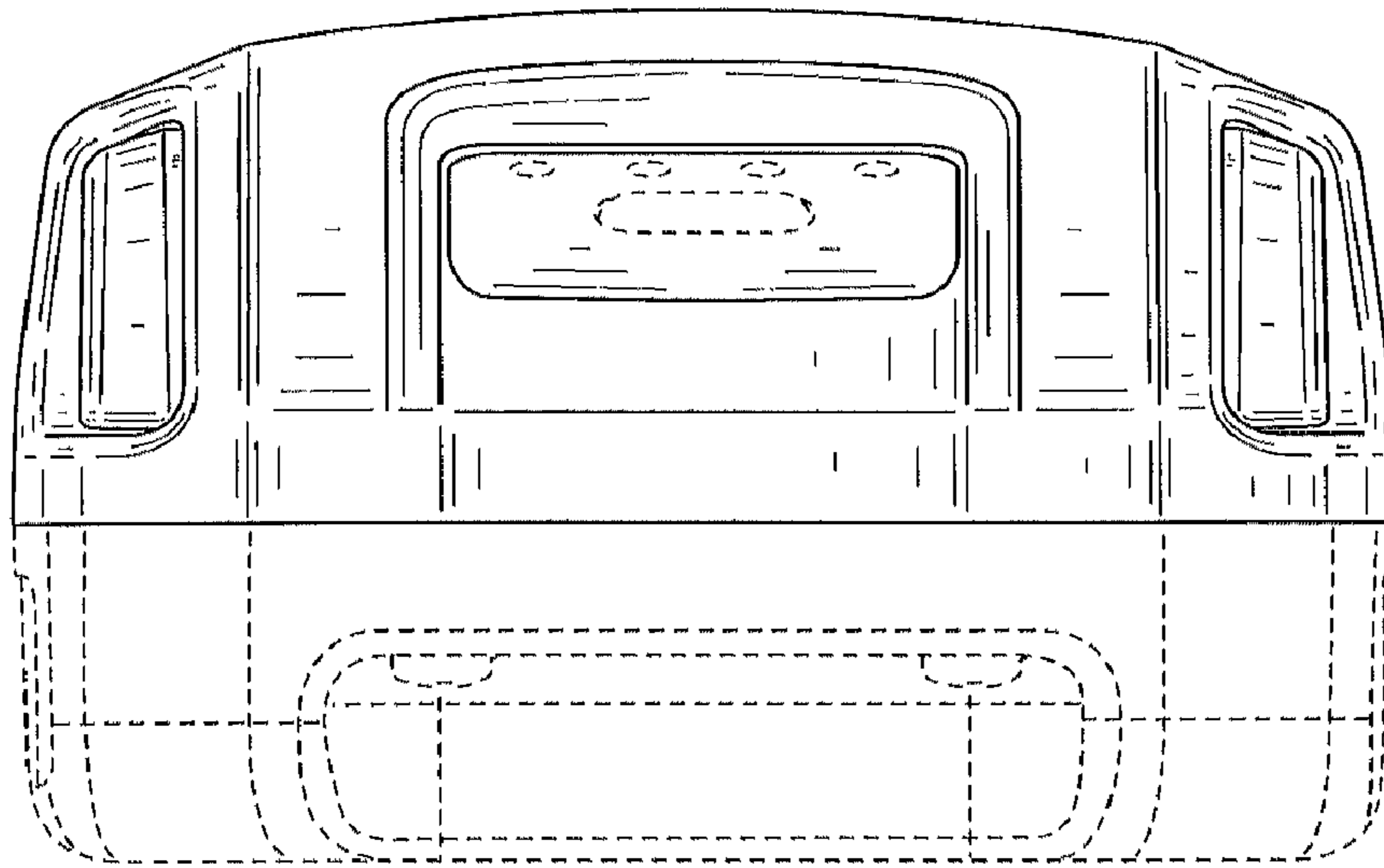
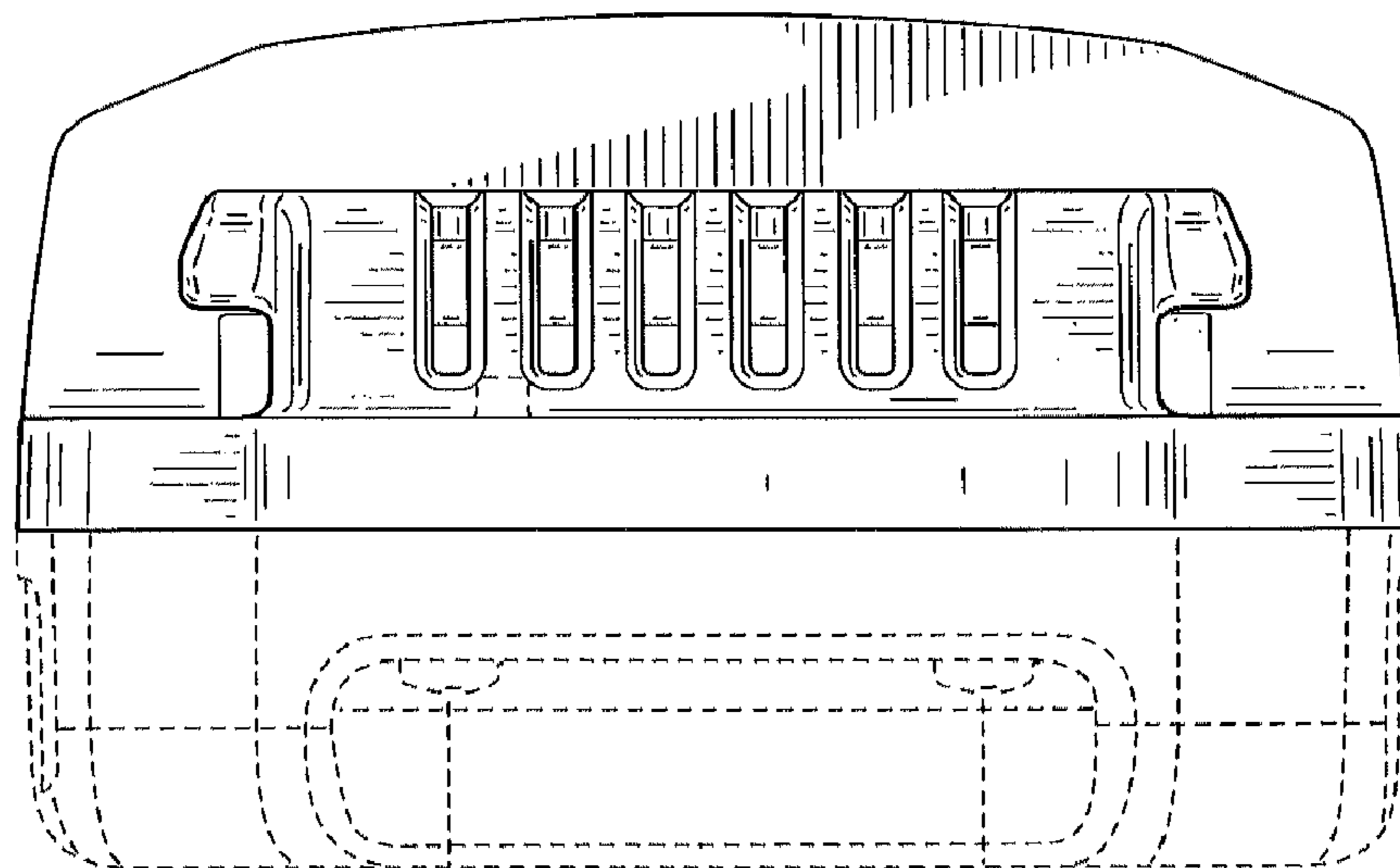


FIG. 6



**FIG. 7**



**FIG. 8**

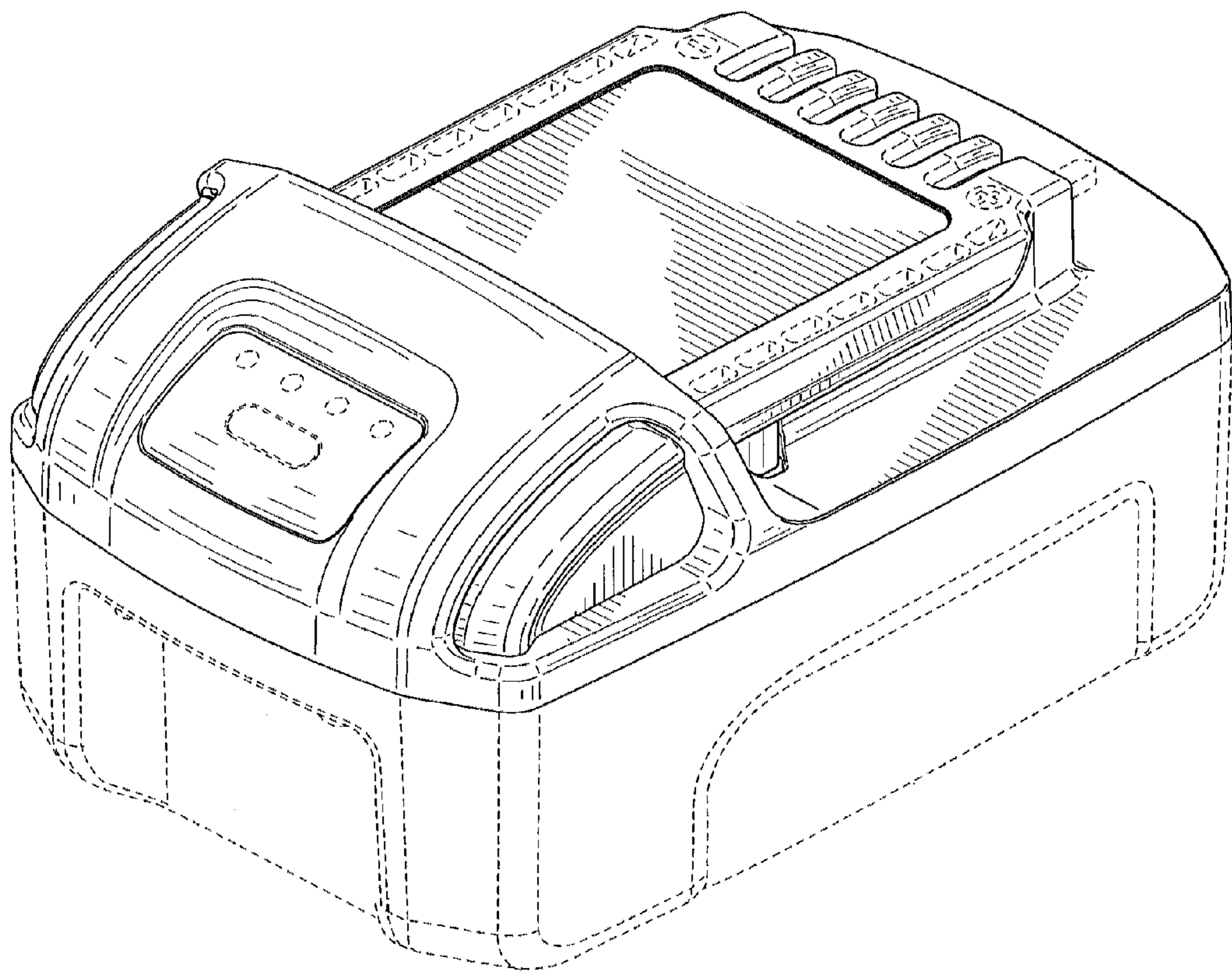
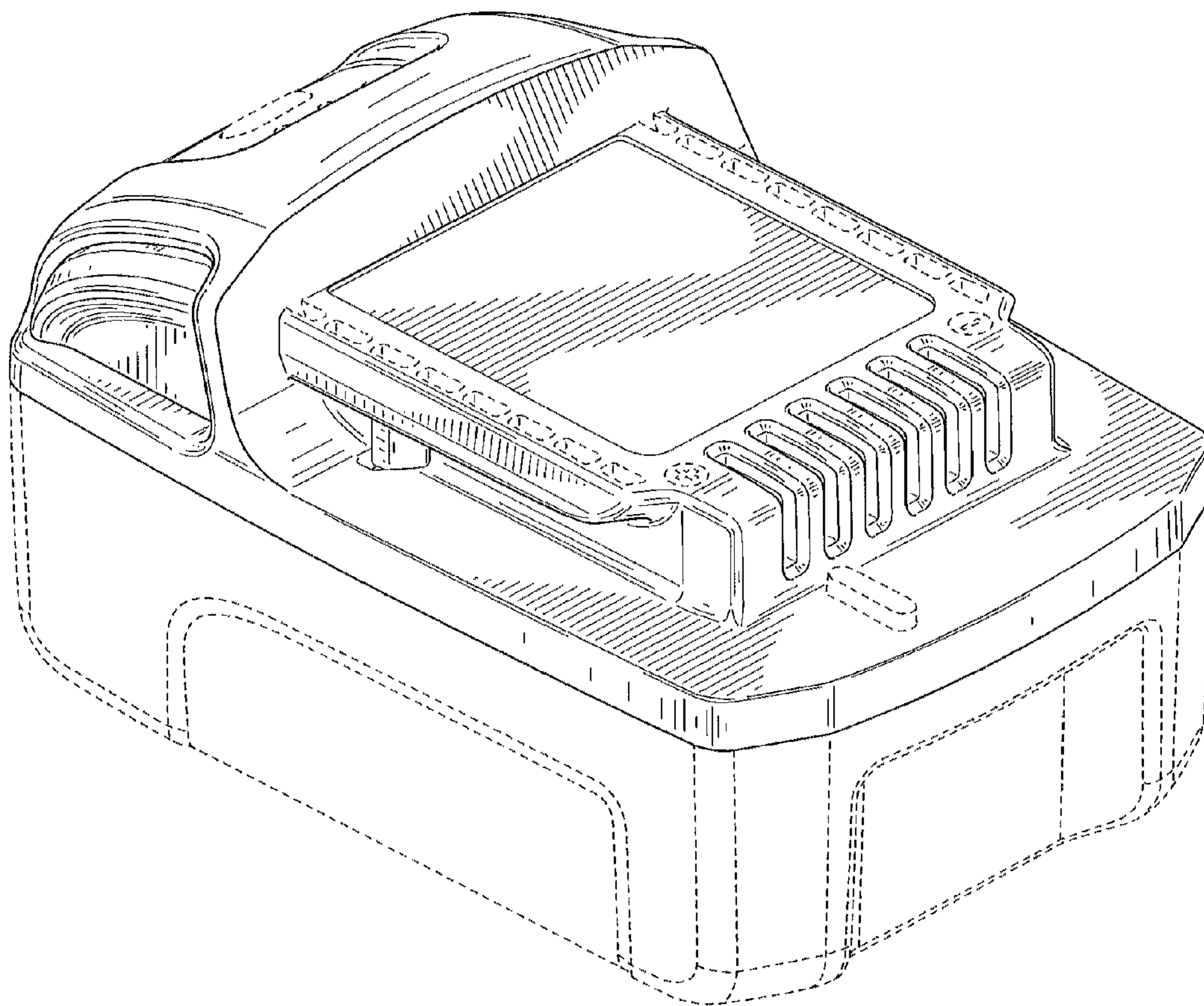
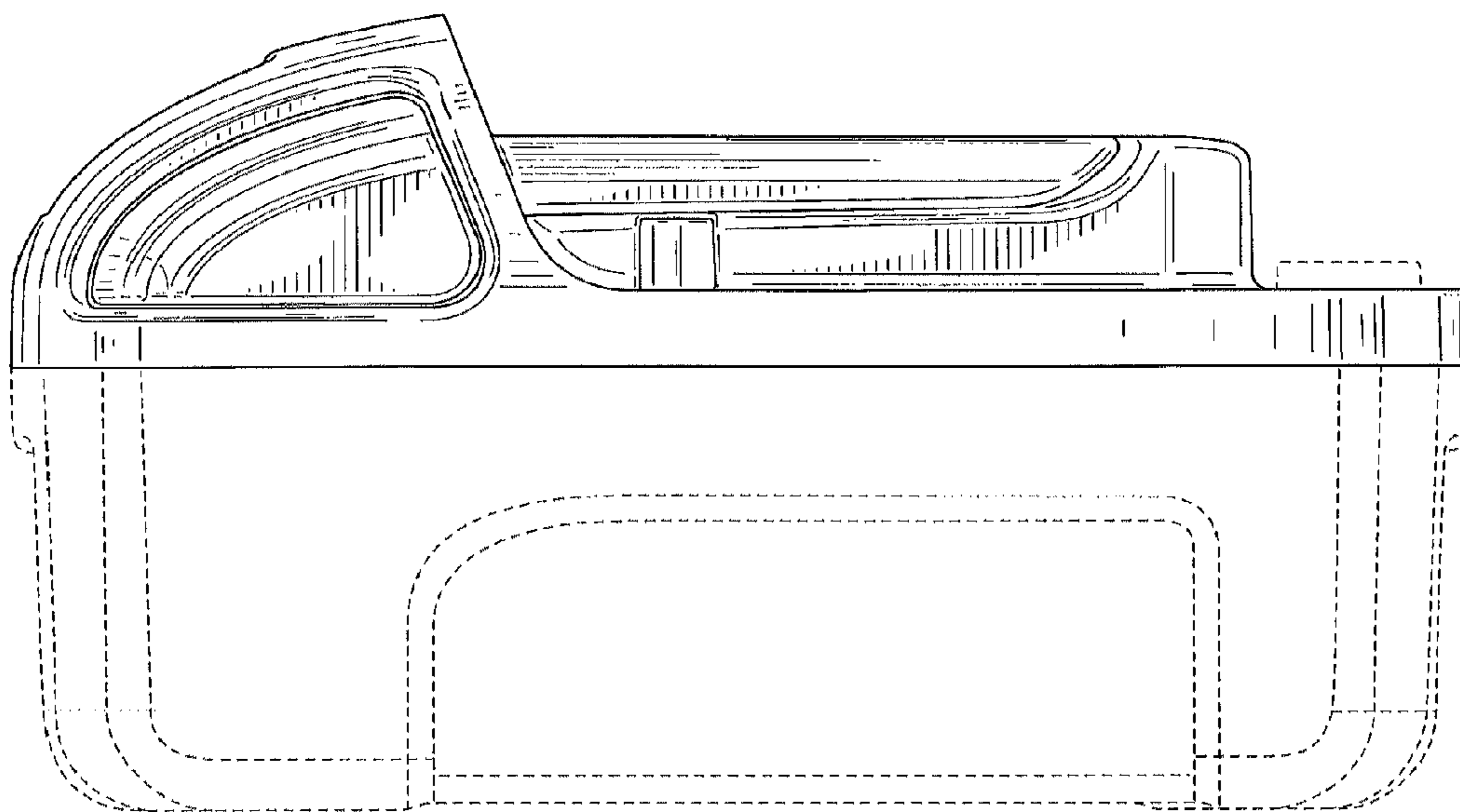


FIG. 9

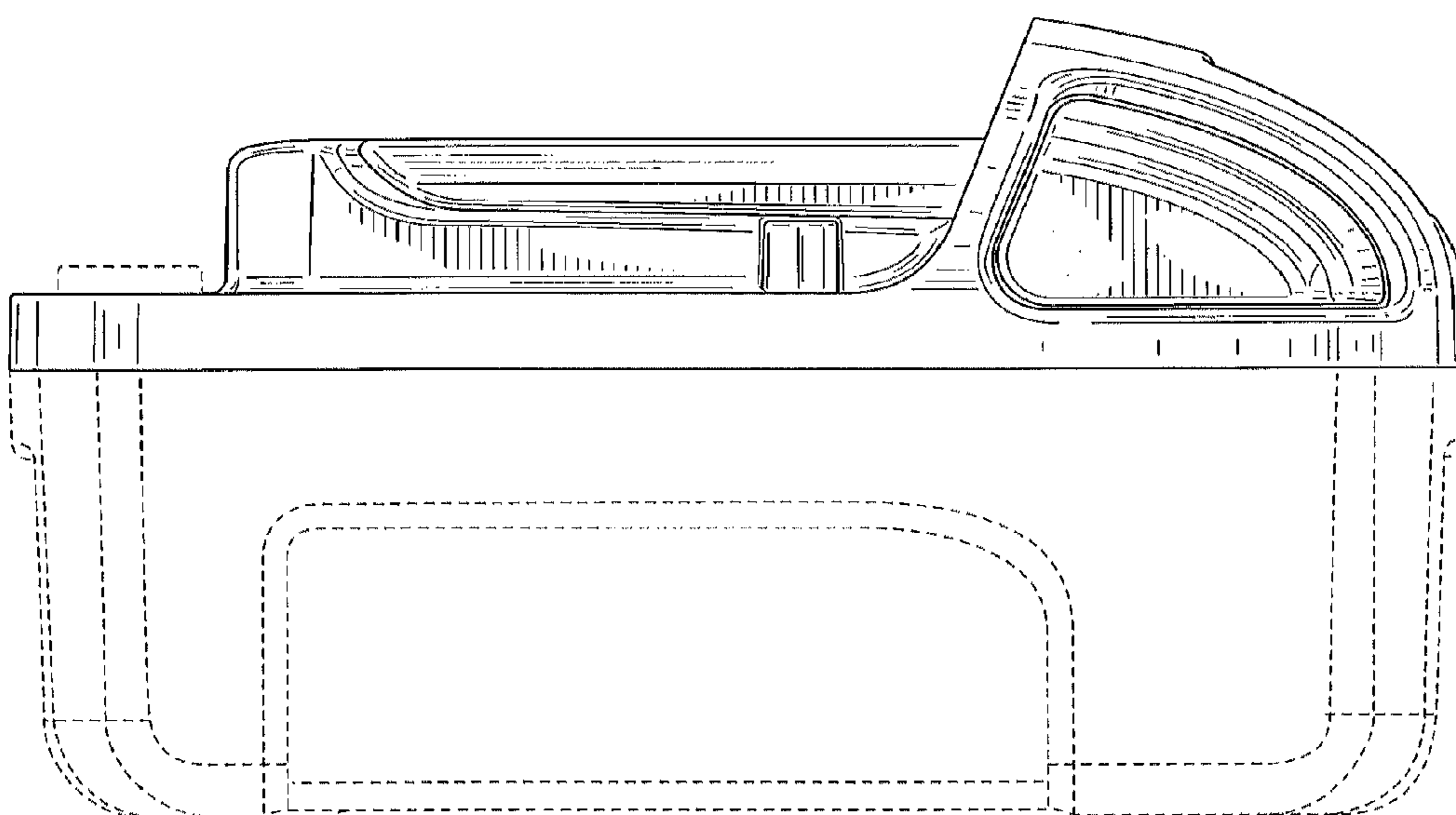


**FIG. 10**

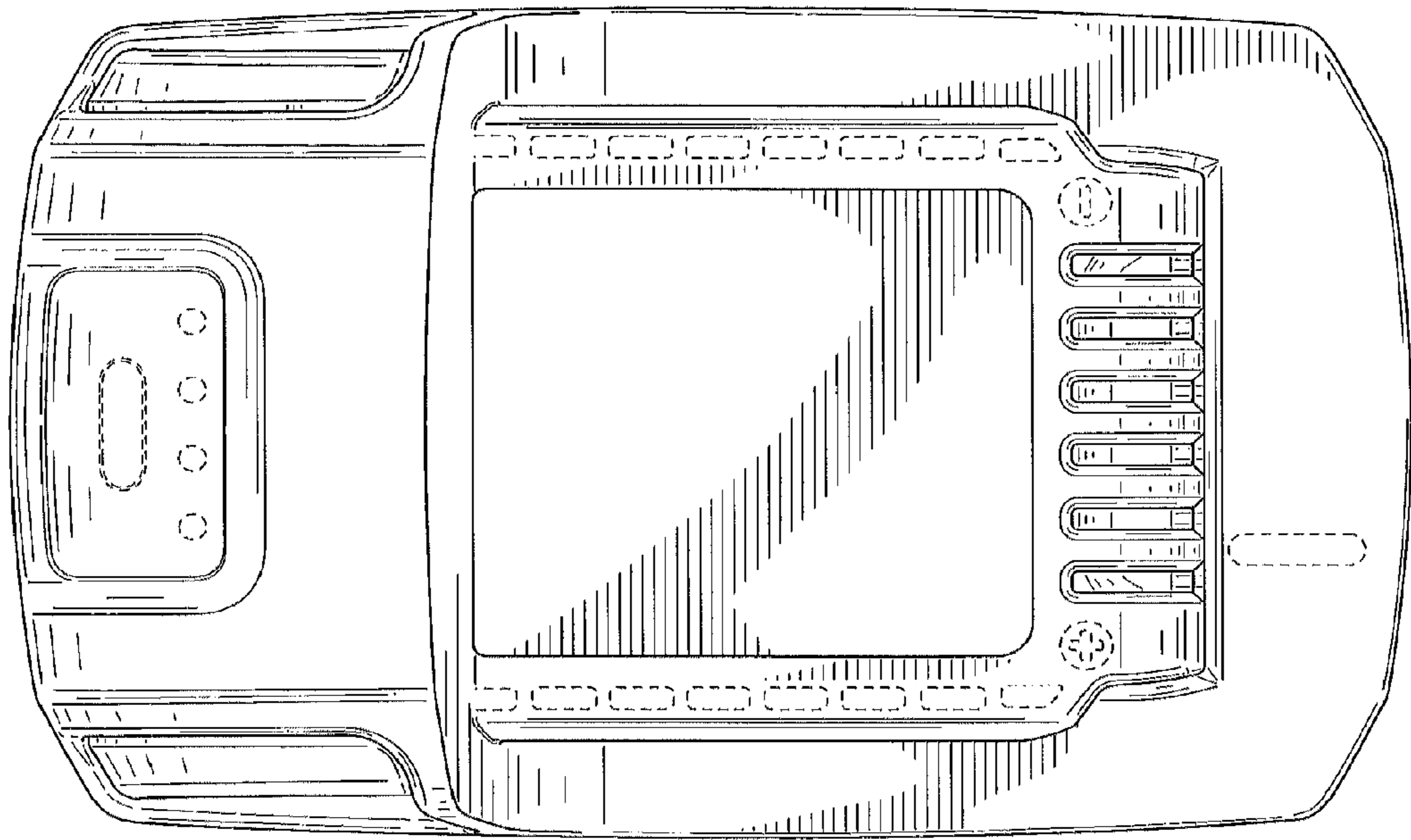




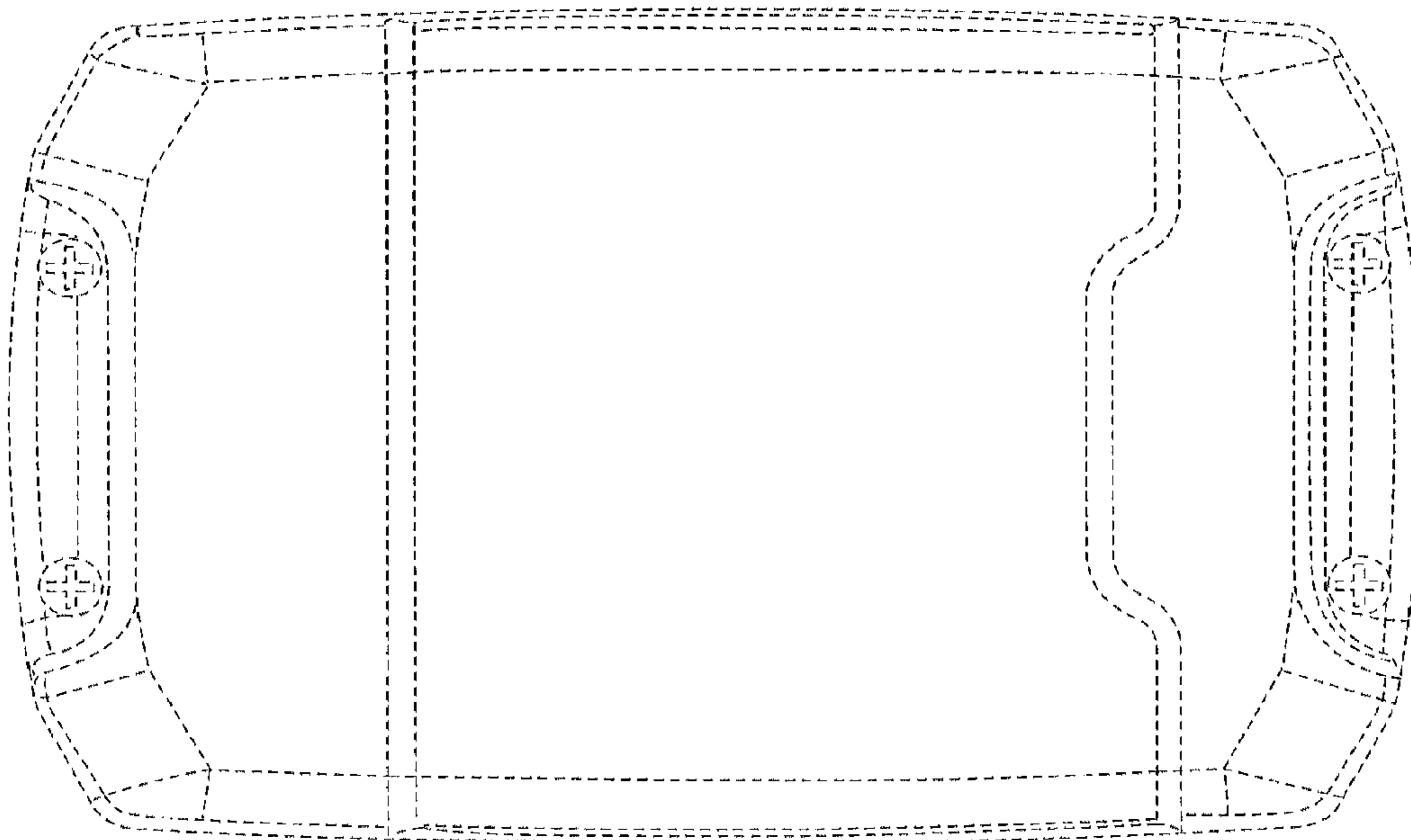
**FIG. 11**



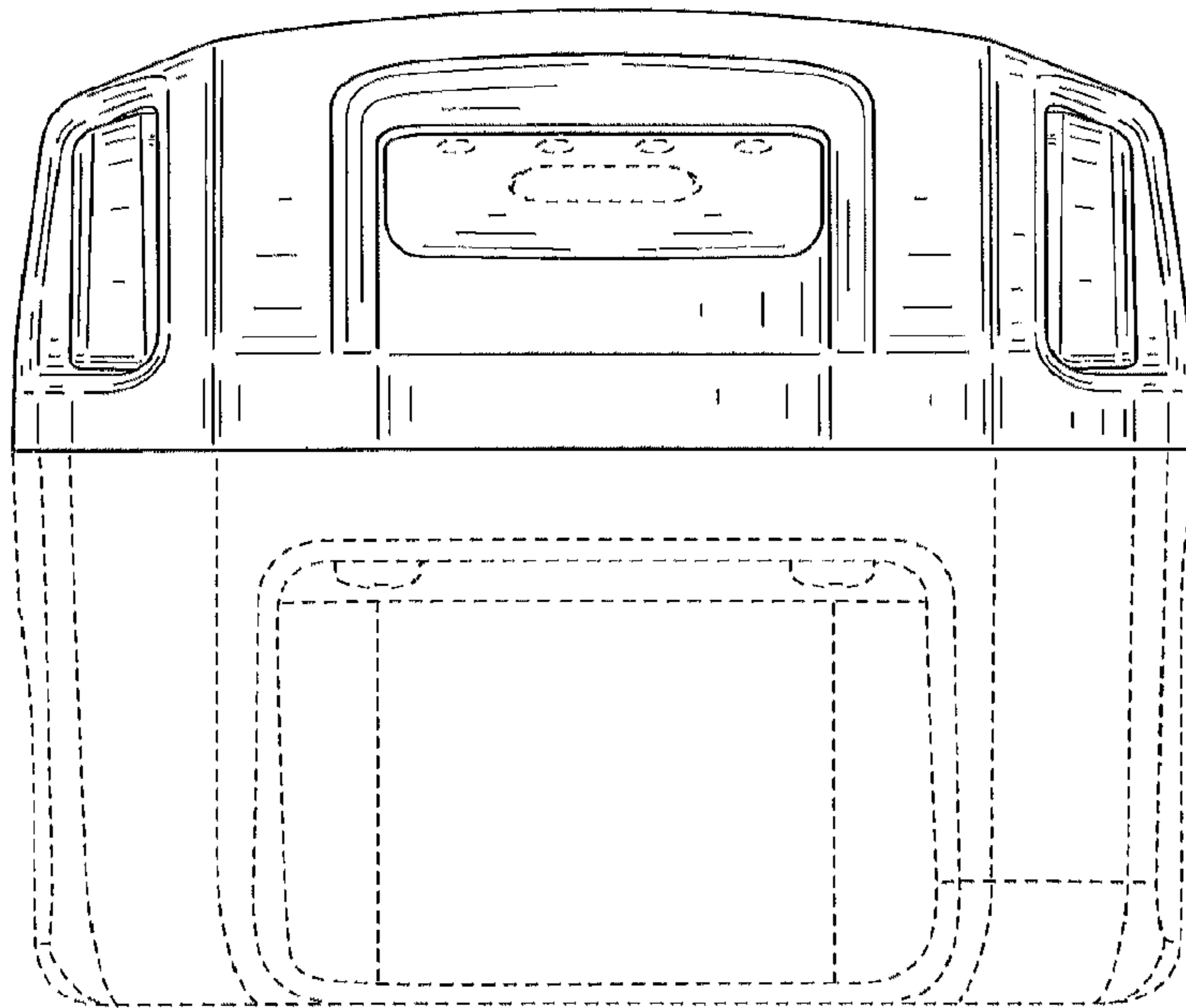
**FIG. 12**



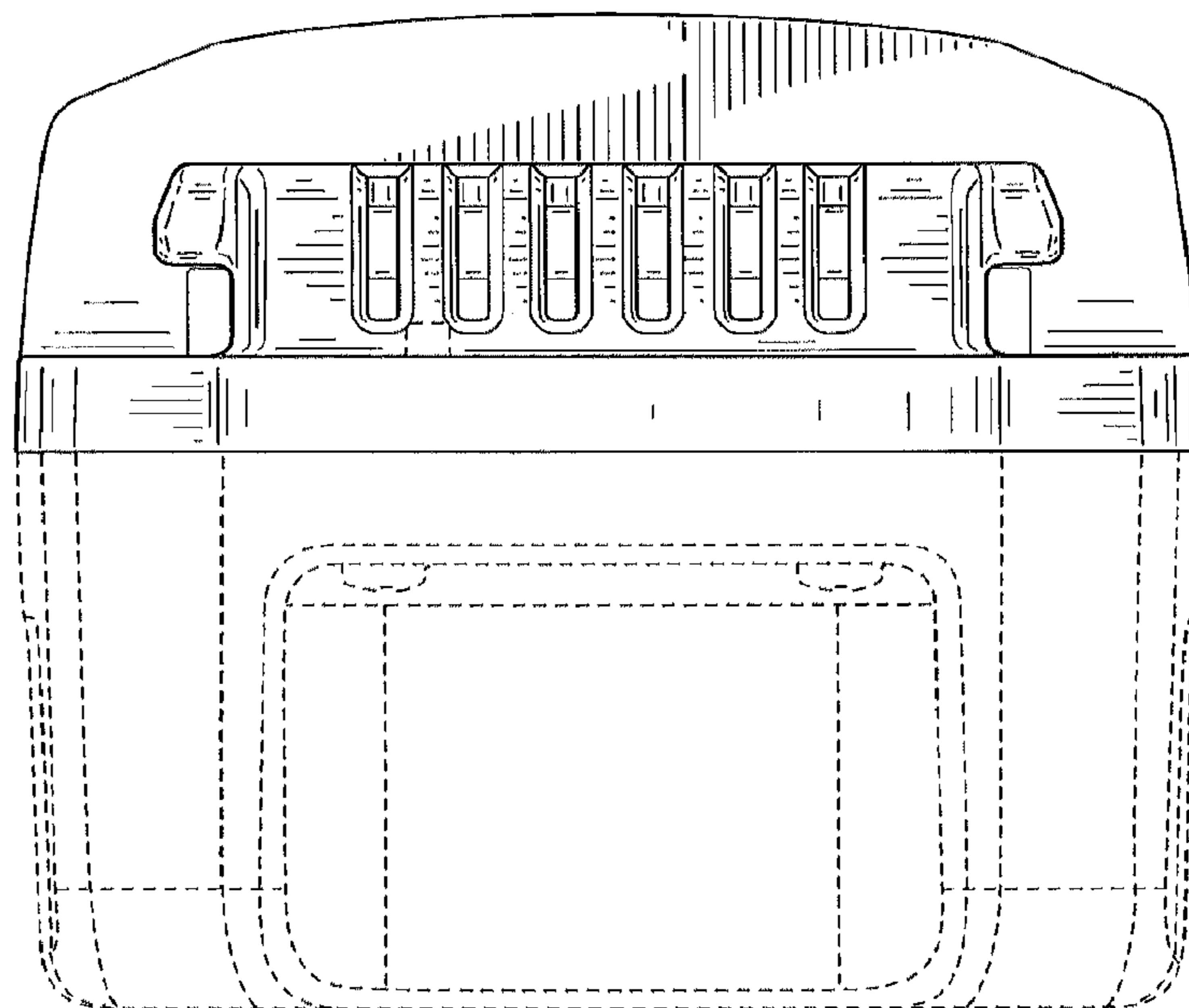
**FIG. 13**



**FIG. 14**



**FIG. 15**



**FIG. 16**

UNITED STATES PATENT AND TRADEMARK OFFICE  
**CERTIFICATE OF CORRECTION**

PATENT NO. : D658,578 S  
APPLICATION NO. : 29/398985  
DATED : May 1, 2012  
INVENTOR(S) : Davis

Page 1 of 1

It is certified that error appears in the above-identified patent and that said Letters Patent is hereby corrected as shown below:

On the Title Page:

Item (57): Claim: Please correct "battery pack," to read -- battery pack --

Signed and Sealed this  
Second Day of October, 2012

A handwritten signature in black ink that reads "David J. Kappos". The signature is written in a cursive, slightly slanted style.

David J. Kappos  
*Director of the United States Patent and Trademark Office*