



US00D658569S

(12) **United States Design Patent**  
**Horton**

(10) **Patent No.:** **US D658,569 S**

(45) **Date of Patent:** **\*\* May 1, 2012**

(54) **GLAREVIEW SUN SHIELD**

(76) Inventor: **Carrington D. Horton**, Corona, CA  
(US)

(\*\*) Term: **14 Years**

(21) Appl. No.: **29/400,940**

(22) Filed: **Sep. 2, 2011**

(51) **LOC (9) Cl.** ..... **12-16**

(52) **U.S. Cl.** ..... **D12/417; D12/191**

(58) **Field of Classification Search** ..... **D12/417,**  
**D12/191, 106, 415; D8/394, 395; 296/97.1,**  
**296/97.2, 97.3, 97.4, 97.5, 97.6, 97.7, 97.8,**  
**296/180.1; 160/370.21, 370.23, 370.22**

See application file for complete search history.

(56) **References Cited**

**U.S. PATENT DOCUMENTS**

2,915,937	A	3/1958	Winchell	
3,369,837	A	2/1968	Metier	
4,023,855	A	5/1977	Janata et al.	
4,090,732	A	5/1978	Vistitsky	
4,317,589	A	3/1982	Kuss	
5,044,685	A	9/1991	Yang	
D339,097	S	9/1993	Nieskes	
D375,714	S	11/1996	Laidley	
D405,746	S	2/1999	Larson	
6,412,850	B1	7/2002	Francis et al.	
6,604,772	B2 *	8/2003	Sturt	296/97.8
6,648,396	B2 *	11/2003	Monahan et al.	296/97.7
6,659,528	B1 *	12/2003	Wilson	296/97.11
D522,943	S	6/2006	Opoku-Agyemang	
D558,655	S	1/2008	Kawamata	
7,344,176	B2	3/2008	Maharaj	
D594,394	S	6/2009	Kwamata	

2002/0089208	A1 *	7/2002	Mashborn	296/97.1
2005/0093329	A1 *	5/2005	Schaad	296/97.6
2008/0023155	A1 *	1/2008	Beierl et al.	160/121.1
2008/0174141	A1 *	7/2008	Wu	296/97.4
2008/0217951	A1	9/2008	Aspel	
2008/0315616	A1 *	12/2008	Wang	296/97.6
2009/0058125	A1 *	3/2009	Mac	296/97.2
2009/0072575	A1 *	3/2009	Browne et al.	296/97.7
2011/0001332	A1 *	1/2011	Weber	296/97.6
2011/0254309	A1 *	10/2011	Visagie	296/97.6
2011/0266825	A1 *	11/2011	Bagioli	296/97.6

\* cited by examiner

*Primary Examiner* — Caron D Veynar

*Assistant Examiner* — Katrina A Betton

(74) *Attorney, Agent, or Firm* — Kirk A. Buhler, Buhler & Associates

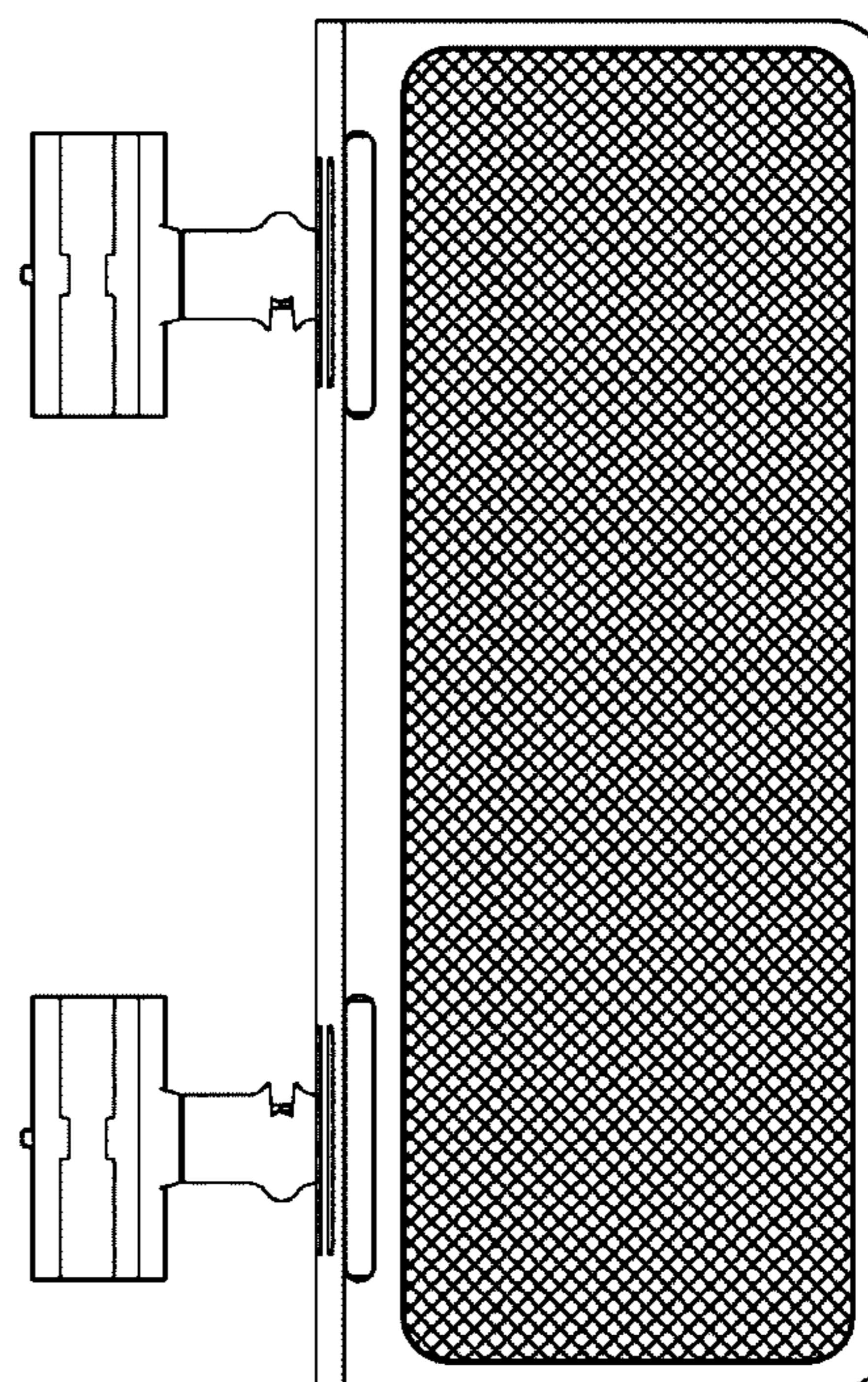
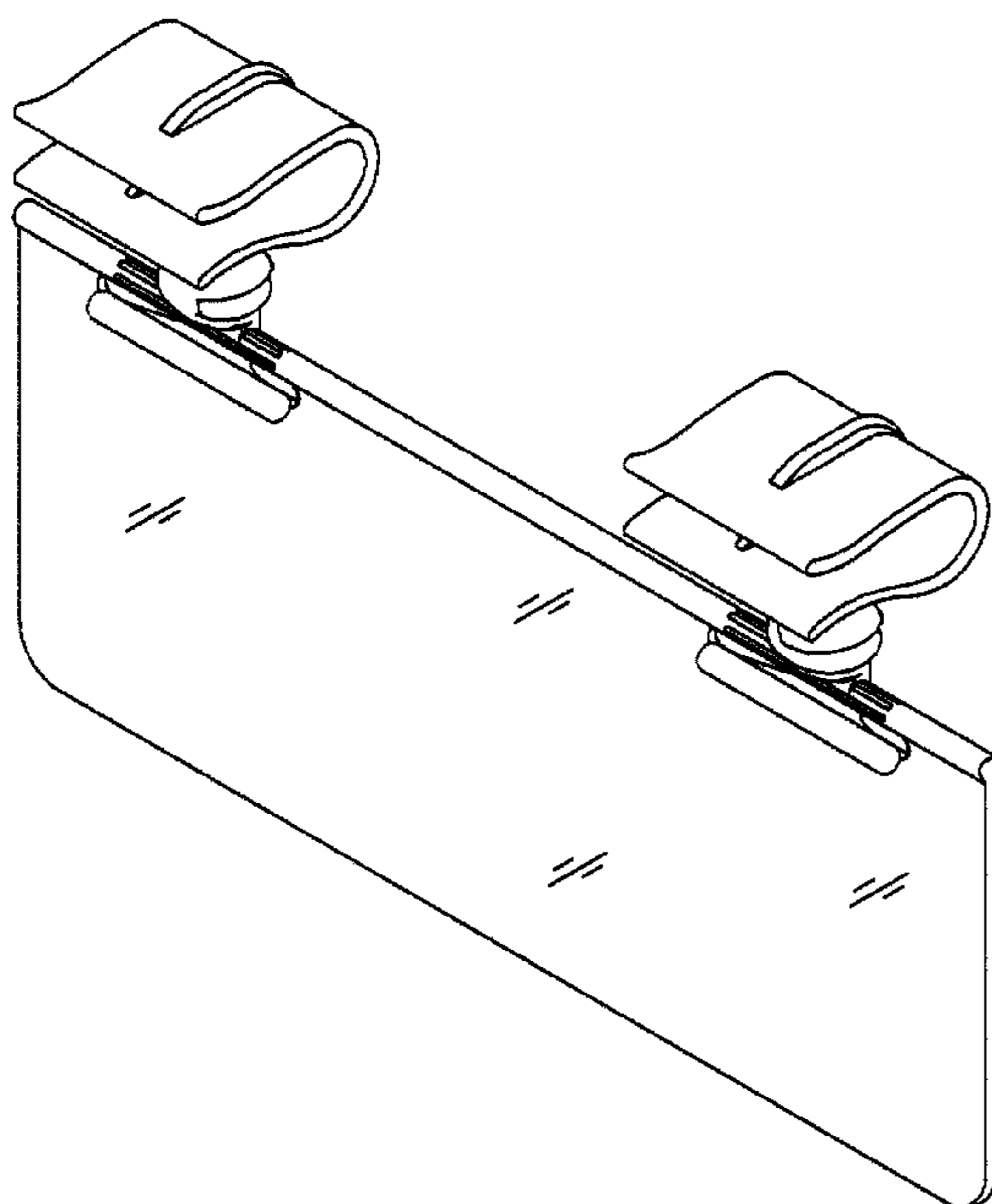
(57) **CLAIM**

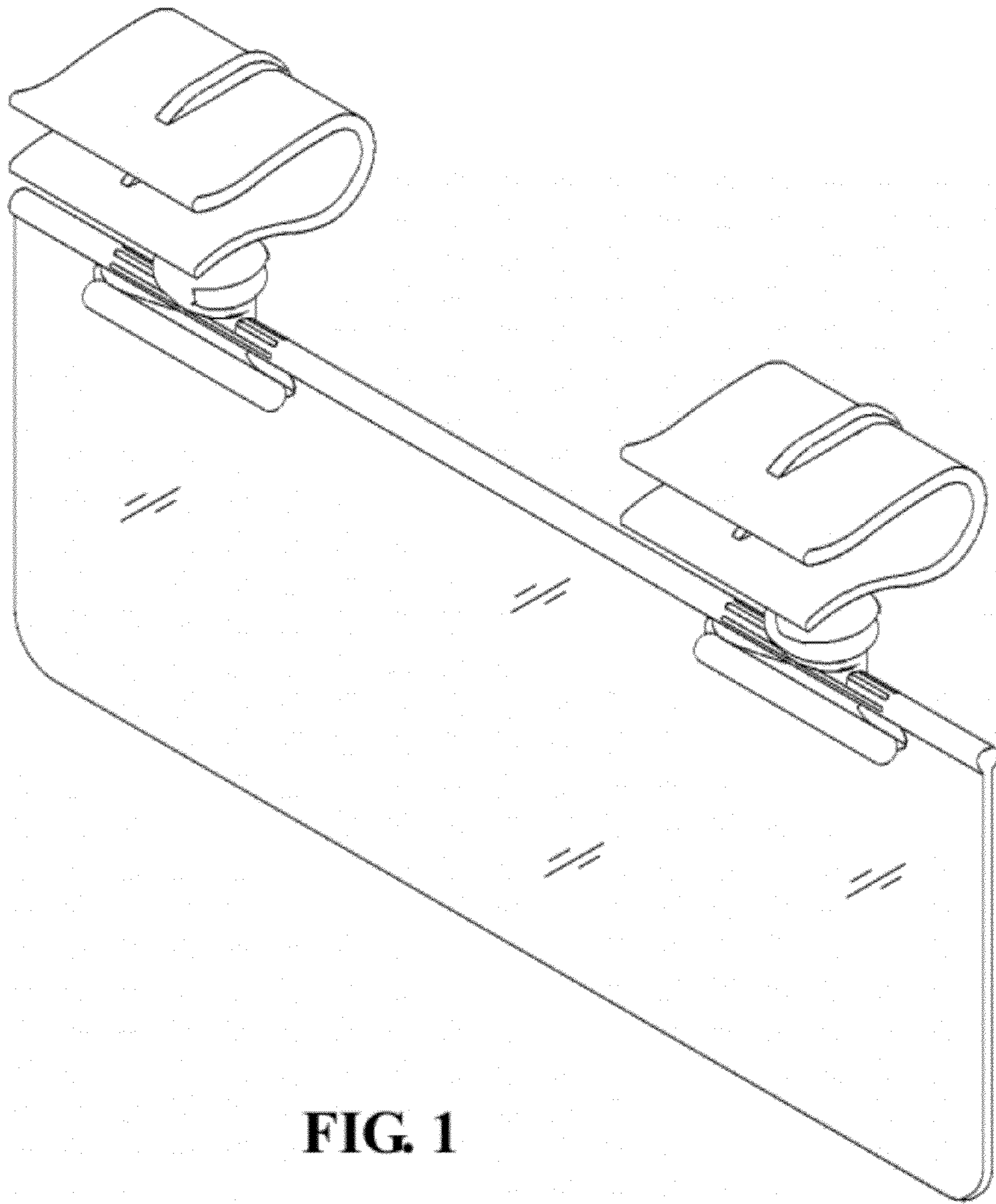
The ornamental design for a glareview sun shield, as shown and described.

**DESCRIPTION**

FIG. 1 is a perspective view for a glareview sun shield showing my new design;  
 FIG. 2 is a top view with a solid shade thereof;  
 FIG. 3 is a front view thereof;  
 FIG. 4 is a bottom view thereof;  
 FIG. 5 is a back view thereof;  
 FIG. 6 is a right view thereof;  
 FIG. 7 is a left view thereof;  
 FIG. 8 is a right exploded view thereof;  
 FIG. 9 is a right sectional view taken along lines 9-9 from FIG. 4 thereof; and,  
 FIG. 10 is a top view with a mesh shade.

**1 Claim, 6 Drawing Sheets**





**FIG. 1**

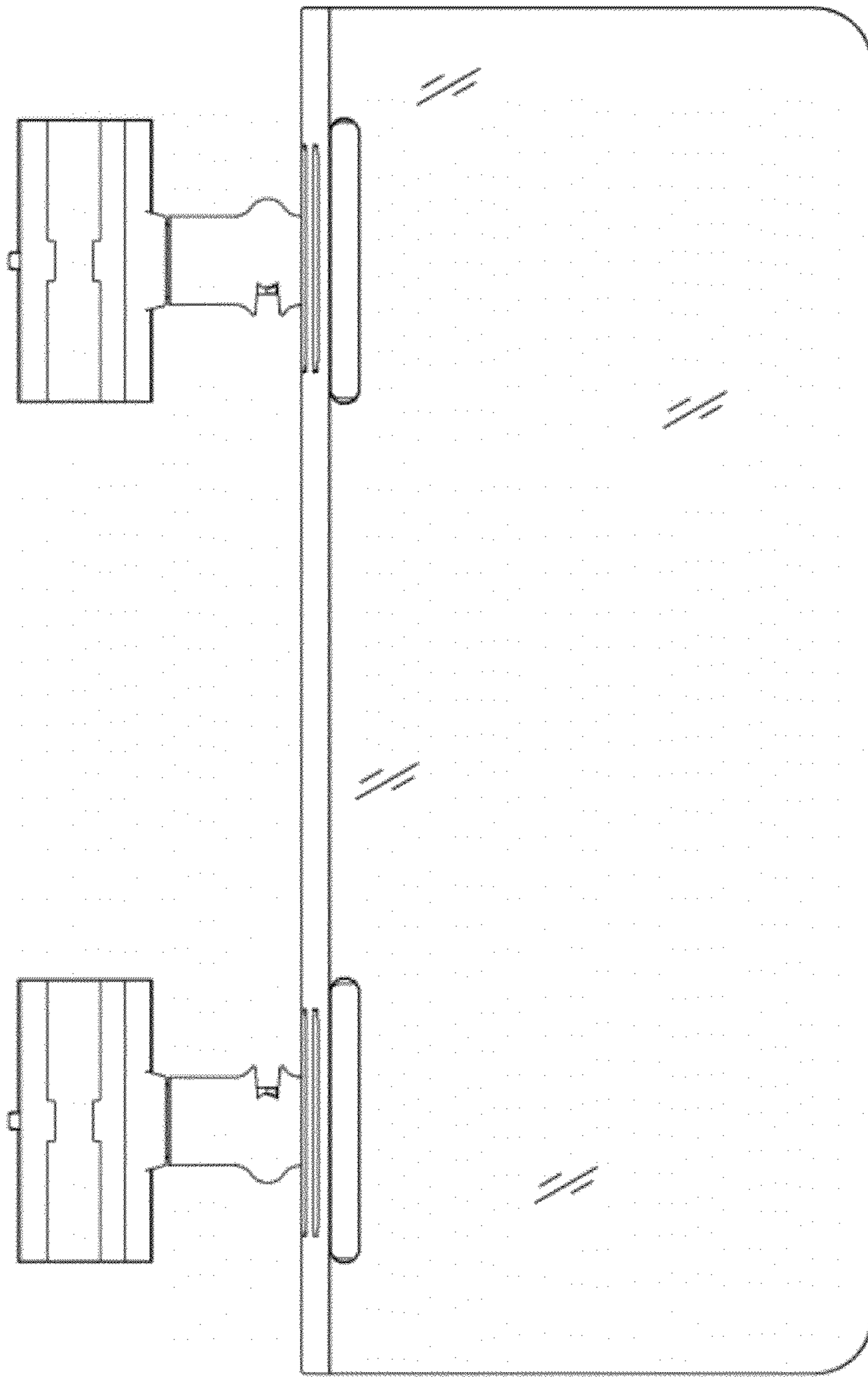


FIG. 2

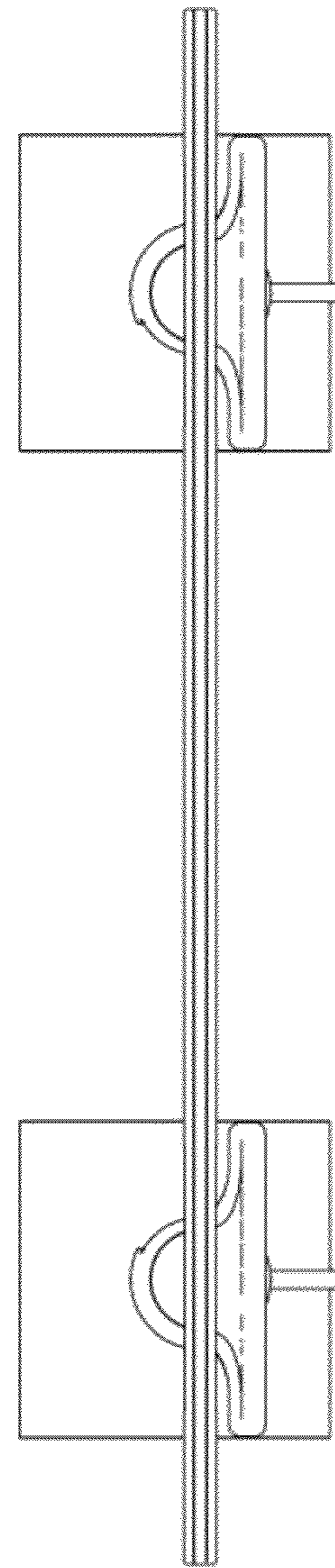


FIG. 3

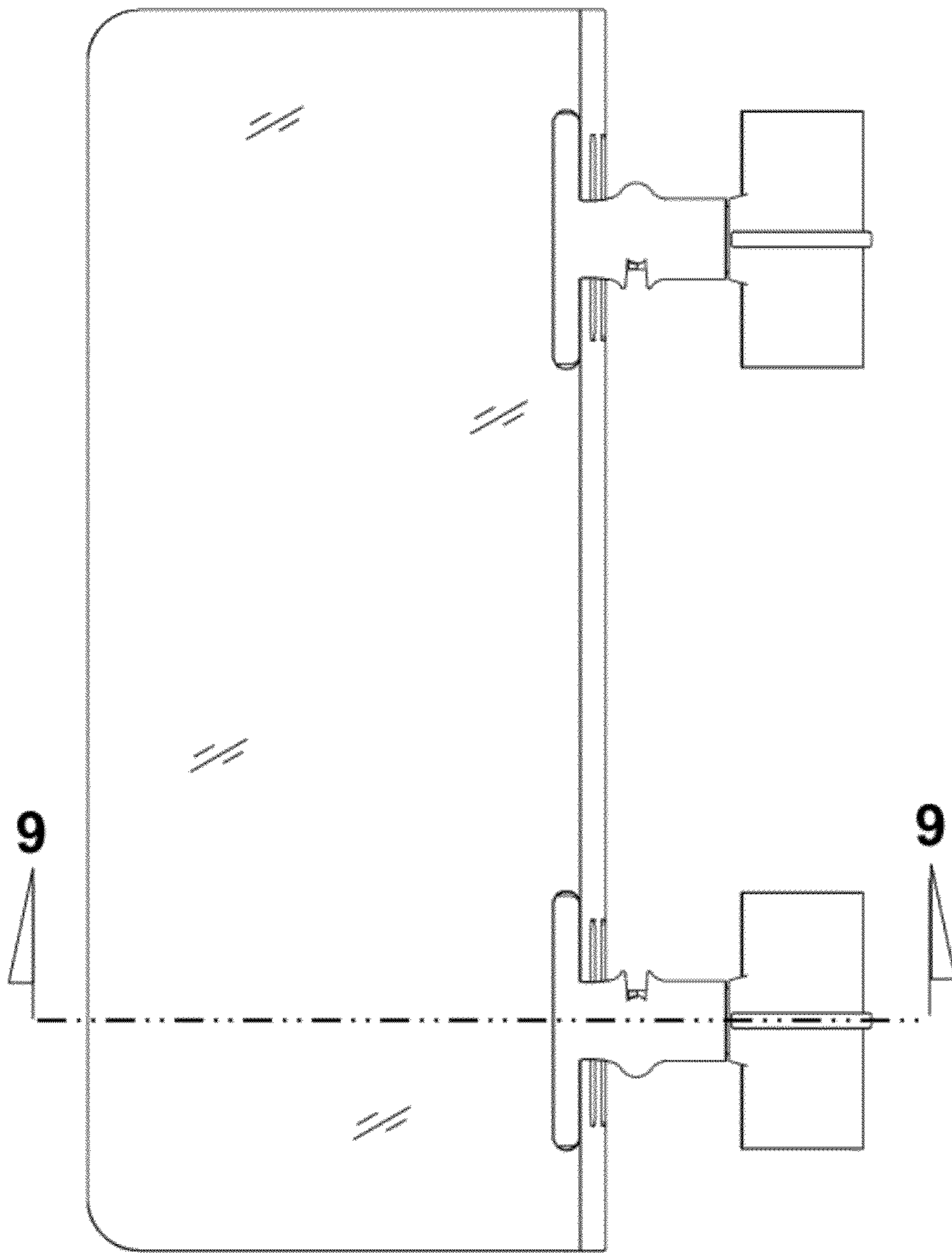


FIG. 4

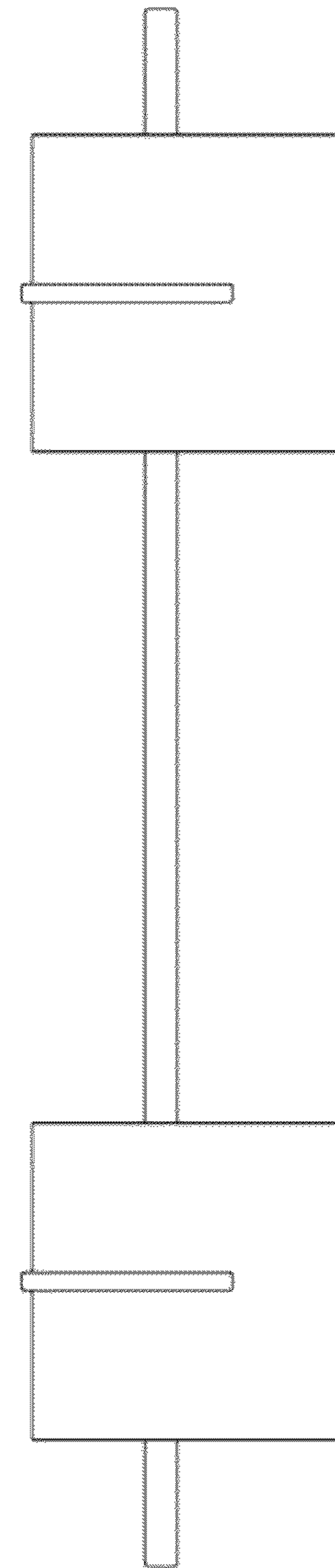
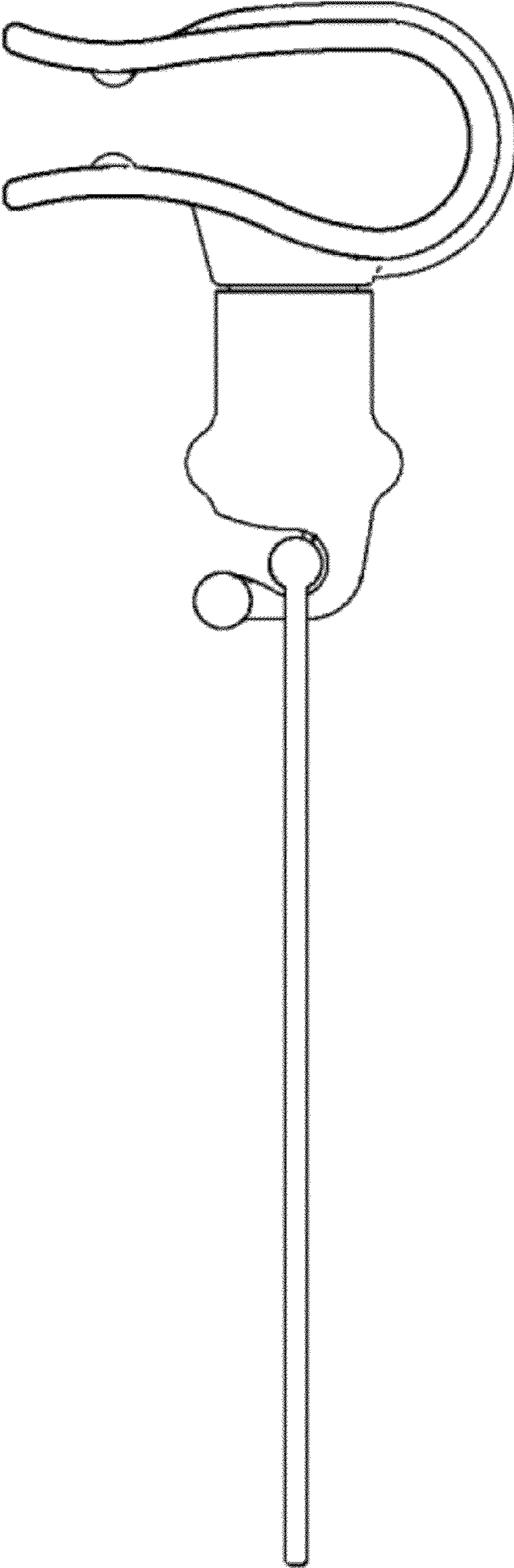
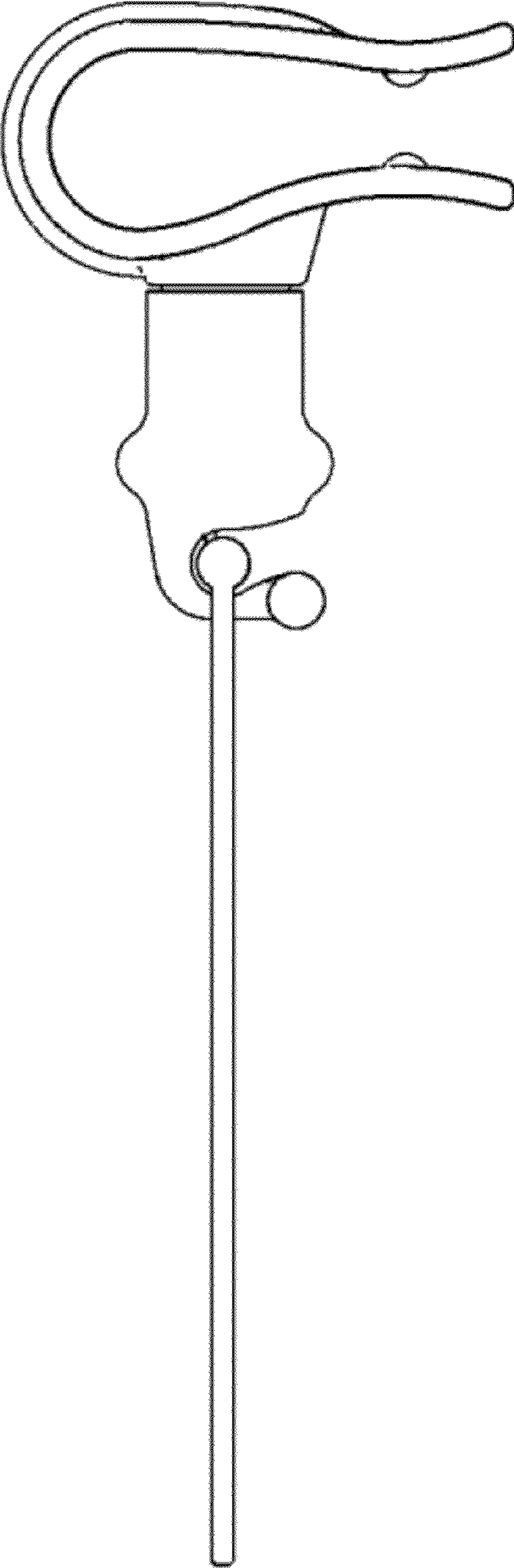


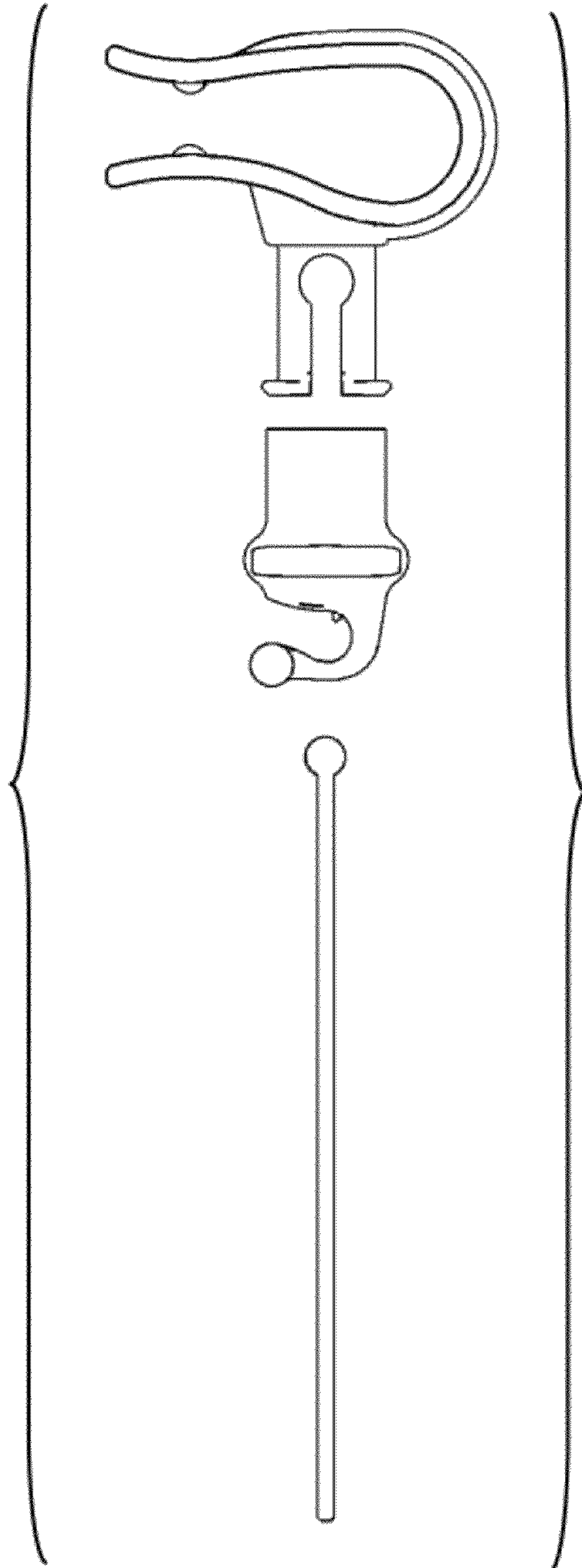
FIG. 5



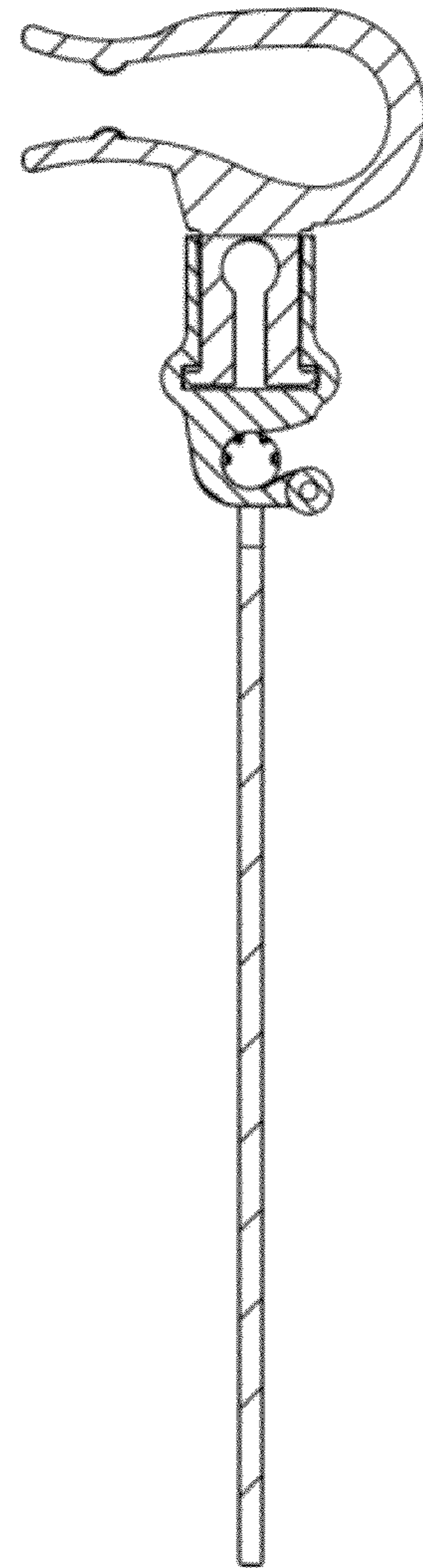
**FIG. 6**



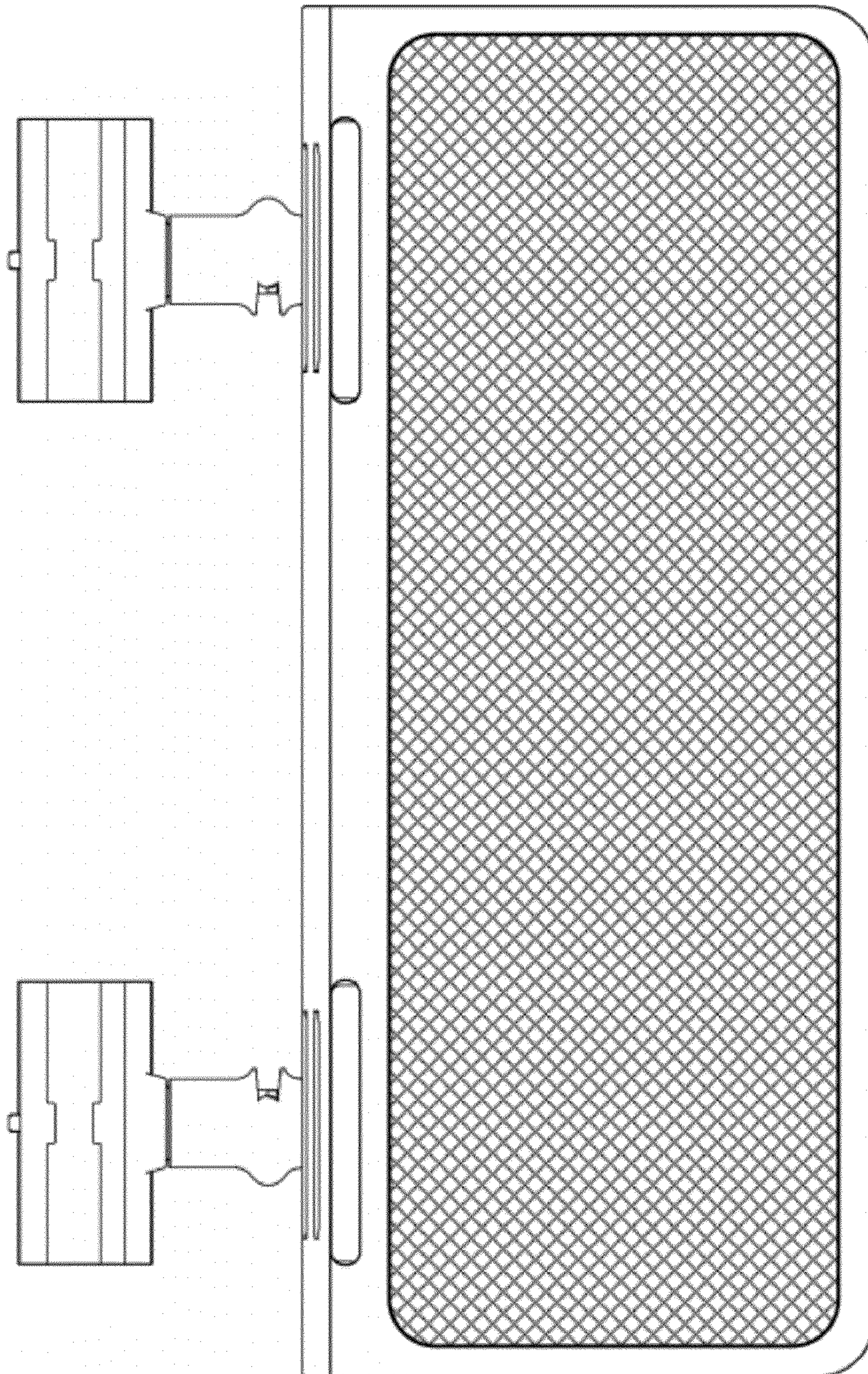
**FIG. 7**



**FIG. 8**



**FIG. 9**



**FIG. 10**