

US00D658568S

(12) **United States Design Patent**
Currier

(10) **Patent No.:** **US D658,568 S**

(45) **Date of Patent:** **** May 1, 2012**

(54) **SEAT ORGANIZER**

(75) **Inventor:** **Jason A. Currier**, Portland, ME (US)

(73) **Assignee:** **Talus Corp.**, Portland, ME (US)

(**) **Term:** **14 Years**

(21) **Appl. No.:** **29/385,290**

(22) **Filed:** **Feb. 11, 2011**

(51) **LOC (9) Cl.** **12-16**

(52) **U.S. Cl.** **D12/416**

(58) **Field of Classification Search** D12/416,
D12/415, 417, 418, 419; 296/36; 22/36;
224/404, 275; D3/318

See application file for complete search history.

(56) **References Cited**

U.S. PATENT DOCUMENTS

1,527,056	A *	2/1925	Martin	224/572
3,690,446	A *	9/1972	EShour et al.	206/525
5,226,576	A *	7/1993	Ellsworth	224/572
5,803,325	A *	9/1998	Wang	224/275
6,092,705	A *	7/2000	Meritt	224/275
6,237,267	B1 *	5/2001	Lackomar	40/593
D477,563	S *	7/2003	Hassett	D12/416
D497,874	S *	11/2004	Fialla-Dori	D12/416
D501,997	S *	2/2005	Hassett	D3/294

D506,434	S *	6/2005	Ling	D12/416
7,207,469	B2 *	4/2007	Hussaini et al.	224/275
D632,242	S *	2/2011	Currie	D12/416
7,891,733	B1 *	2/2011	Clarke	297/188.06

* cited by examiner

Primary Examiner — Caron D Veynar

Assistant Examiner — Katrina A Betton

(57) **CLAIM**

The ornamental design for a seat organizer, as shown and described.

DESCRIPTION

FIG. 1 is a perspective view of a seat organizer according to our new design.

FIG. 2 is a front view of the seat organizer as in FIG. 1.

FIG. 3 is side view of the seat organizer as in FIGS. 1-2, the opposite side being a mirror image thereof.

FIG. 4 is a rear view of the seat organizer as in FIG. 1-3.

FIG. 5 is a top view of the seat organizer as in FIG. 1-4; and,

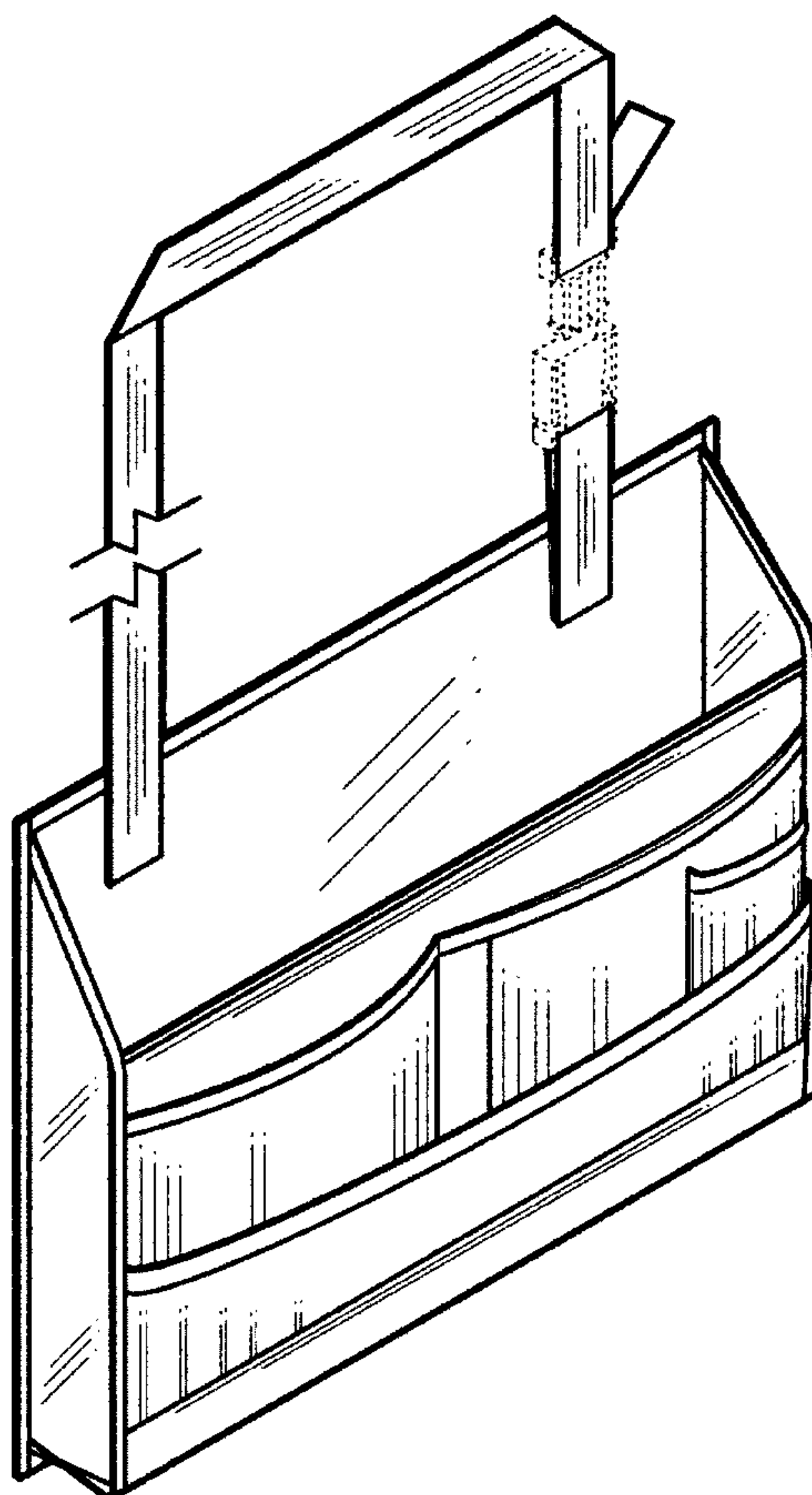
FIG. 6 is a bottom view of the seat organizer as in FIG. 1-5.

The breaks in the drawing figures show no specific length.

The design of the present invention, and as shown in FIGS.

1-6, is an ornamental seat organizer.

1 Claim, 6 Drawing Sheets



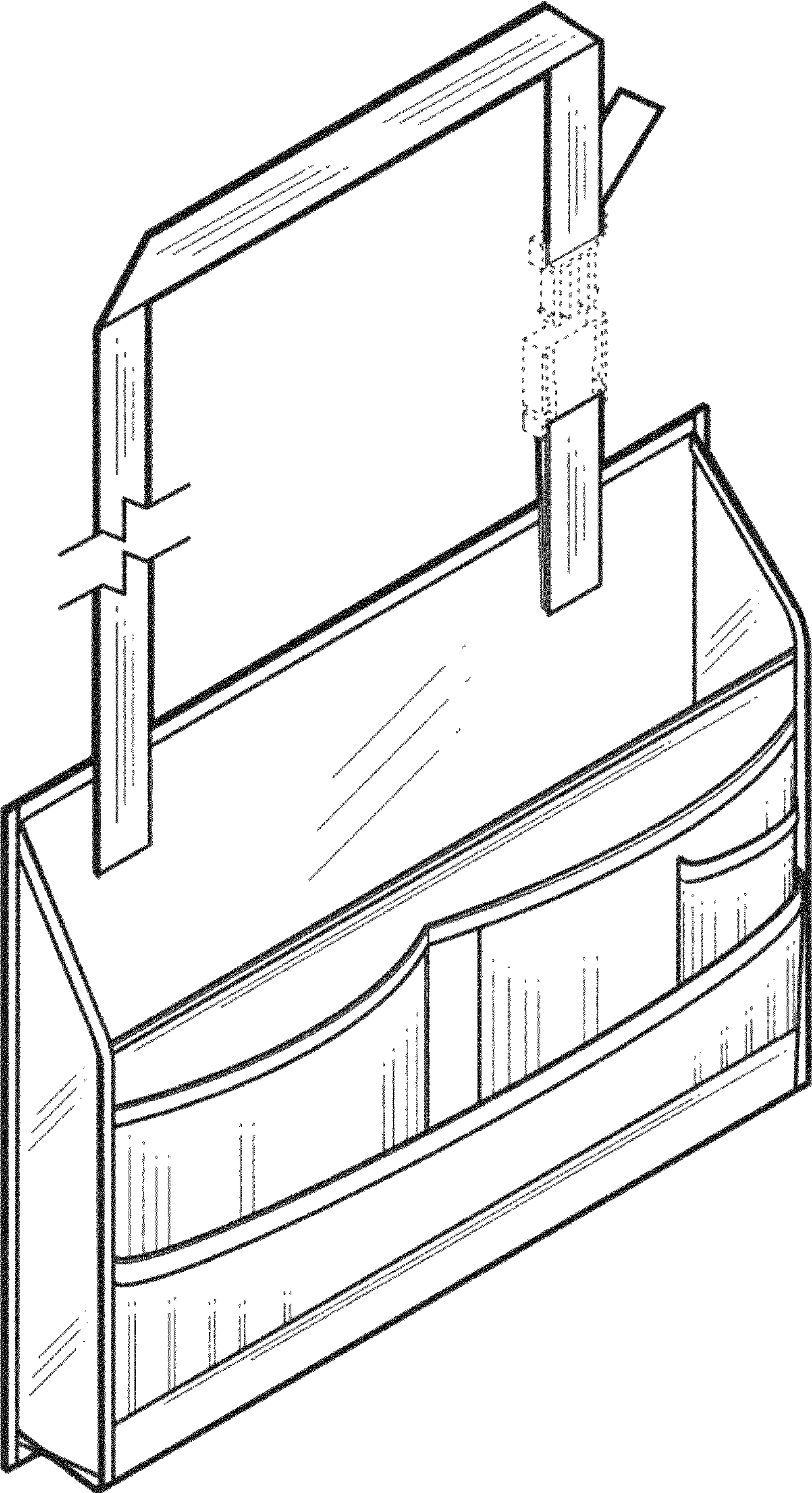


FIG. 1

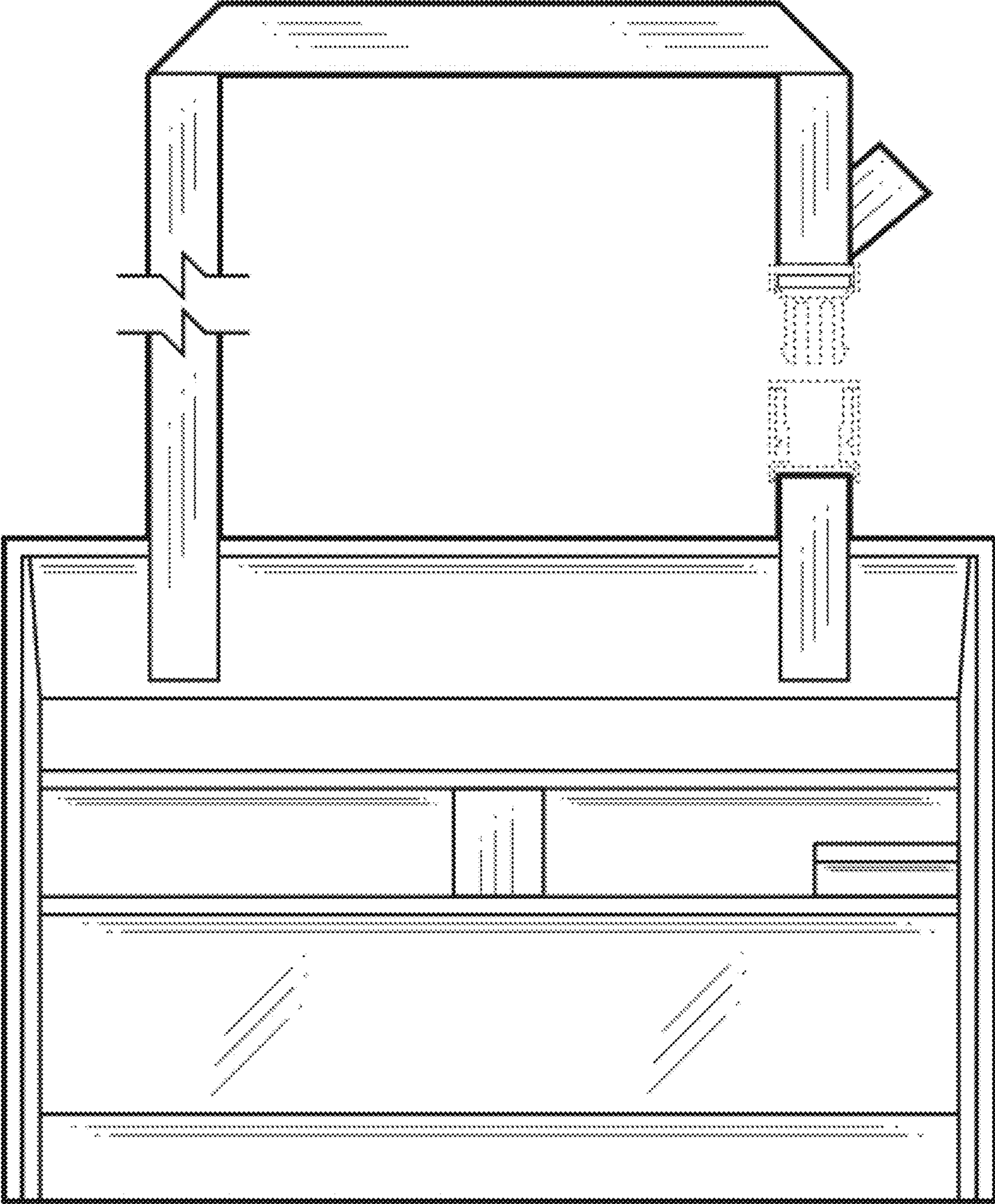


FIG. 2

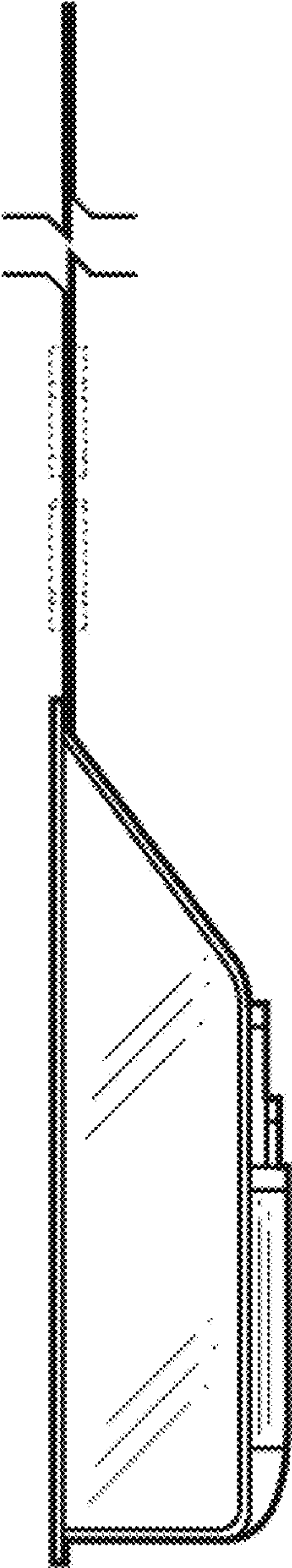


FIG. 3

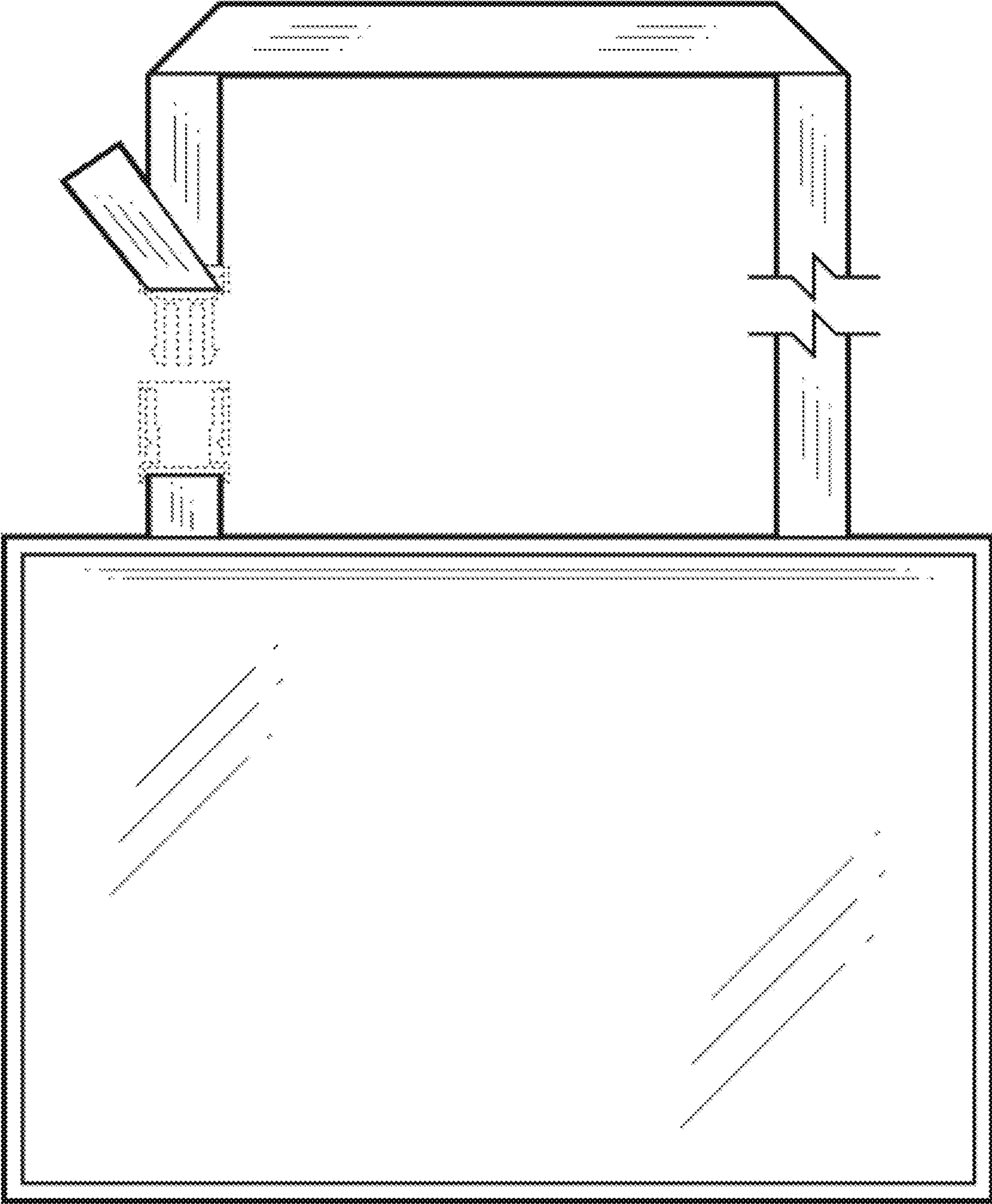


FIG. 4



FIG. 5

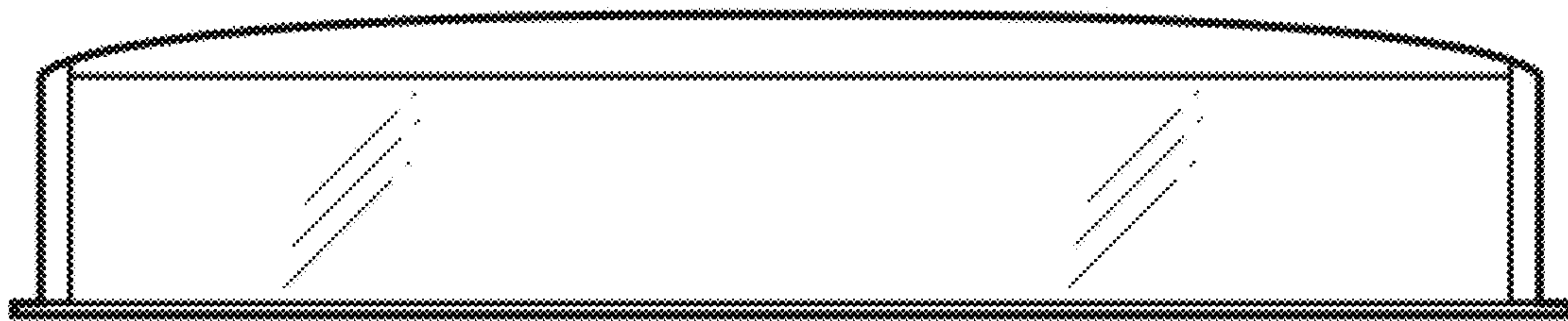


FIG. 6