



US00D658567S

(12) **United States Design Patent**
Shen

(10) **Patent No.:** **US D658,567 S**

(45) **Date of Patent:** **** May 1, 2012**

(54) **BICYCLE CARRIER**

(75) Inventor: **Jack C. T. Shen**, Taichung (TW)

(73) Assignee: **King Roof Industrial Co., Ltd.**,
Taichung (TW)

(**) Term: **14 Years**

(21) Appl. No.: **29/396,930**

(22) Filed: **Jul. 8, 2011**

(51) **LOC (9) Cl.** **12-11**

(52) **U.S. Cl.** **D12/408**

(58) **Field of Classification Search** D12/406-408,
D12/412, 223; 224/400, 412, 488, 489, 493,
224/522-537, 42.11, 42.21, 309, 324, 492,
224/511; D8/349, 373, 394; 248/226.11,
248/229.1, 230.5, 309.1

See application file for complete search history.

(56) **References Cited**

U.S. PATENT DOCUMENTS

D329,035	S	*	9/1992	Blackburn et al.	D12/408
5,495,970	A	*	3/1996	Pedrini	224/314
D412,482	S	*	8/1999	Chen	D12/408
D630,573	S	*	1/2011	Pedrini	D12/408
2002/0117524	A1	*	8/2002	Jeong	224/314

OTHER PUBLICATIONS

Solo racks on pp. 1, 2, 4, and 5 of 6. © 2006-2010. [Retrieved on Jun. 24, 2010]. Retrieved from the Internet <URL: <http://www.saris.com/bike-racks/vehicle-racks/trunk-racks.html>>.*

* cited by examiner

Primary Examiner — Susan M Lee

Assistant Examiner — Linda G. Brooks

(74) *Attorney, Agent, or Firm* — Muncy, Geissler, Olds & Lowe, PLLC

(57) **CLAIM**

I claim the ornamental design for a bicycle carrier, as shown and described.

DESCRIPTION

FIG. 1 is a perspective view of the bicycle carrier showing my new design;

FIG. 2 is a front view thereof;

FIG. 3 is a rear view thereof;

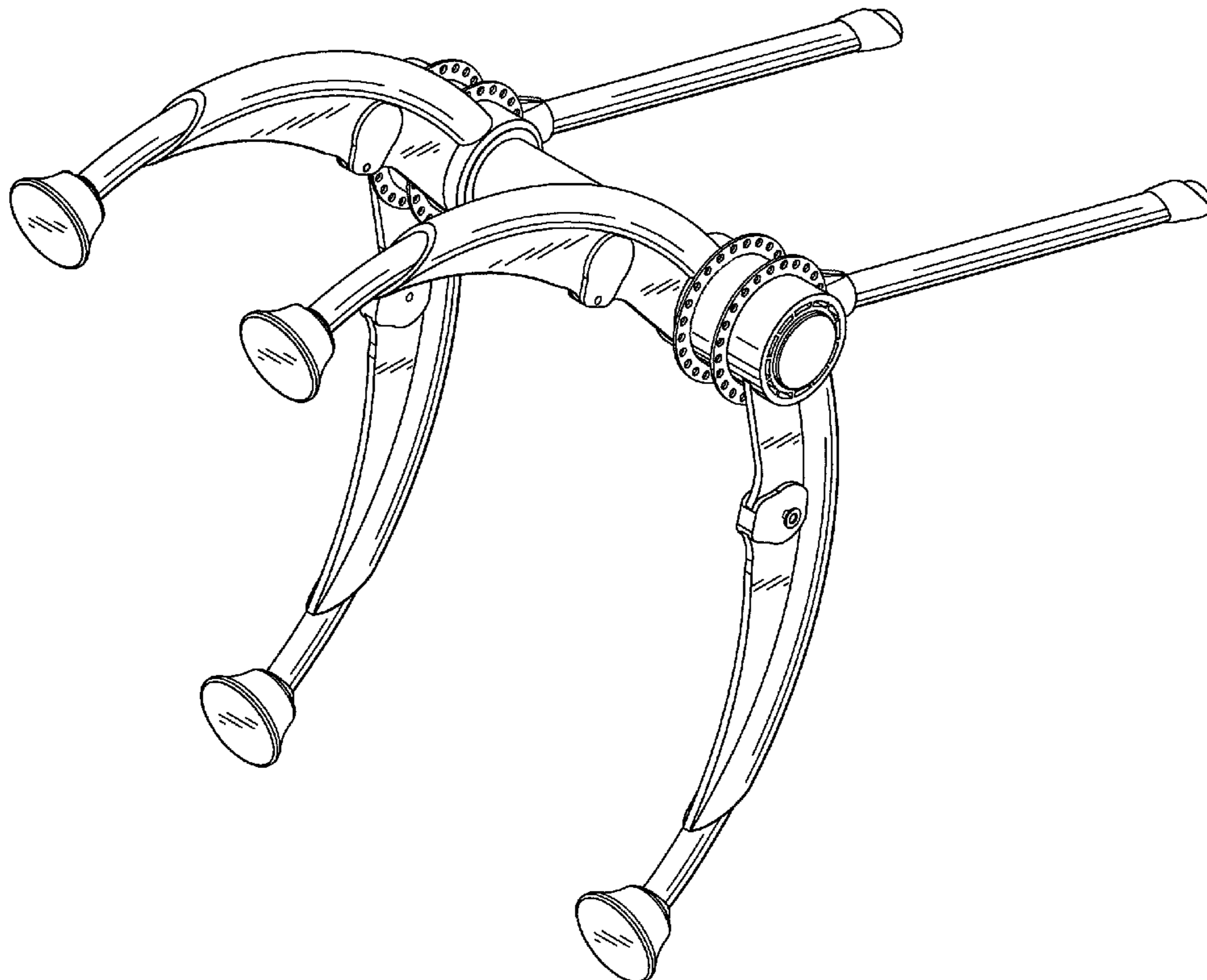
FIG. 4 is a left view thereof;

FIG. 5 is a right view thereof;

FIG. 6 is a top plan view thereof; and,

FIG. 7 is a bottom plan view thereof.

1 Claim, 7 Drawing Sheets



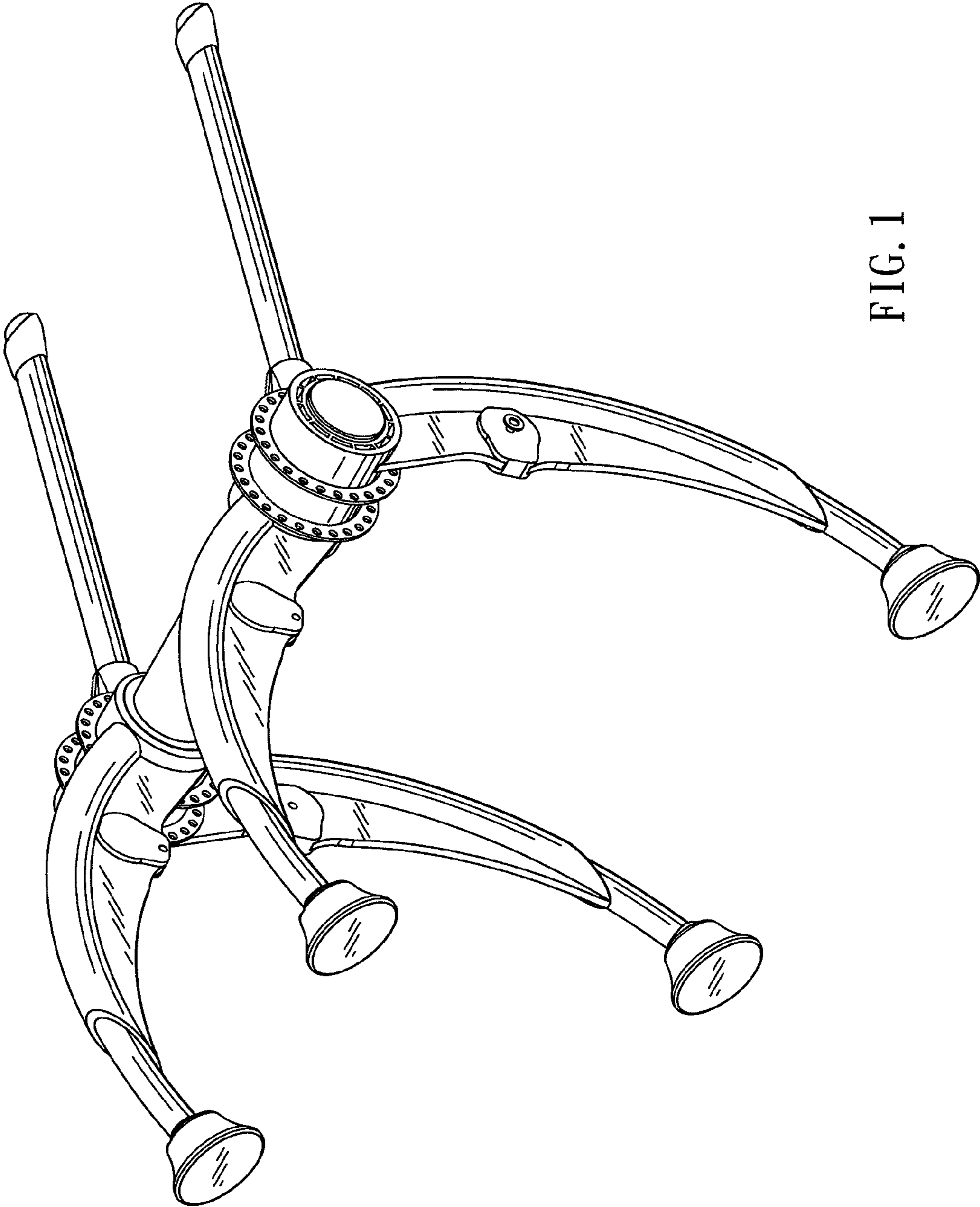


FIG. 1

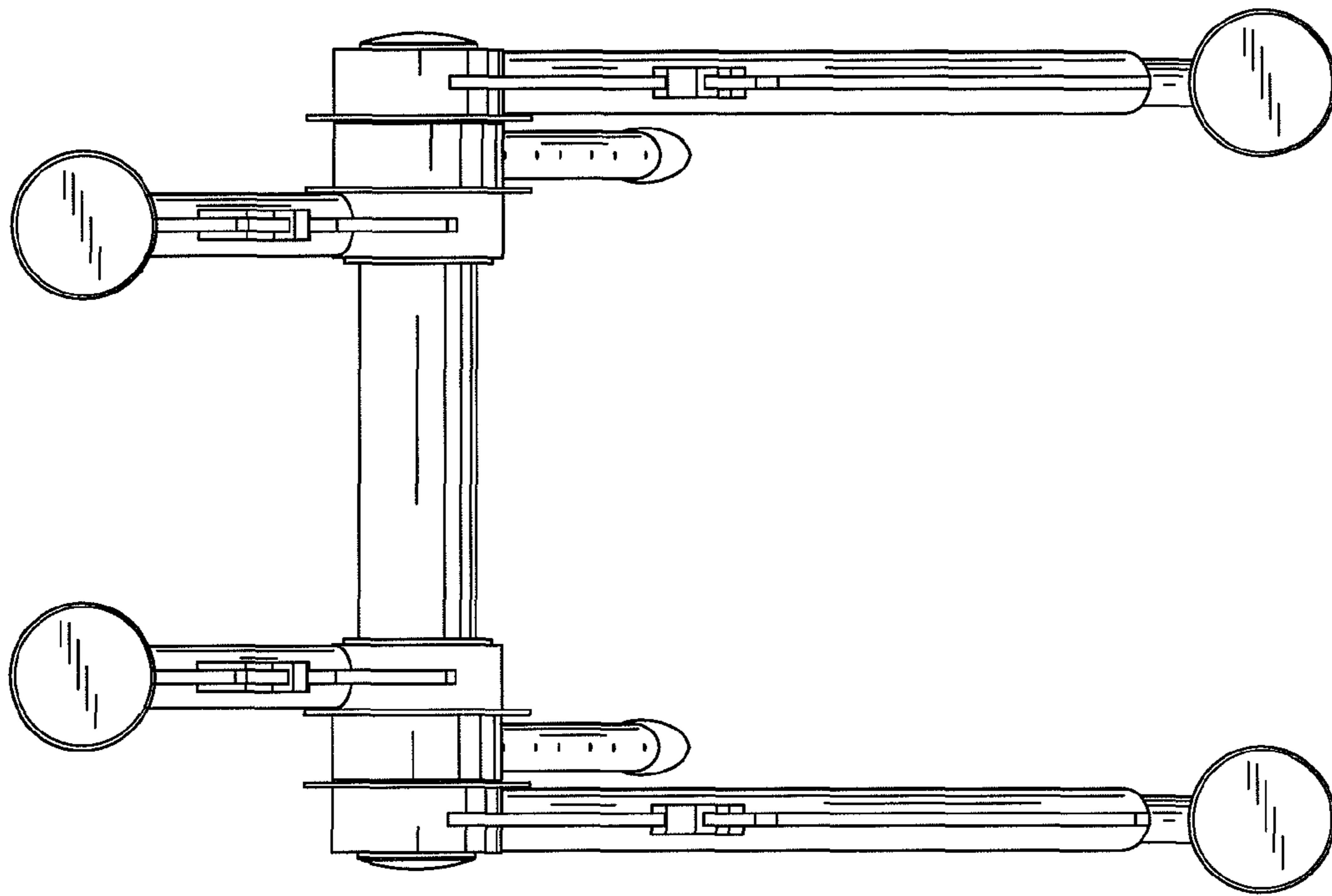


FIG. 2

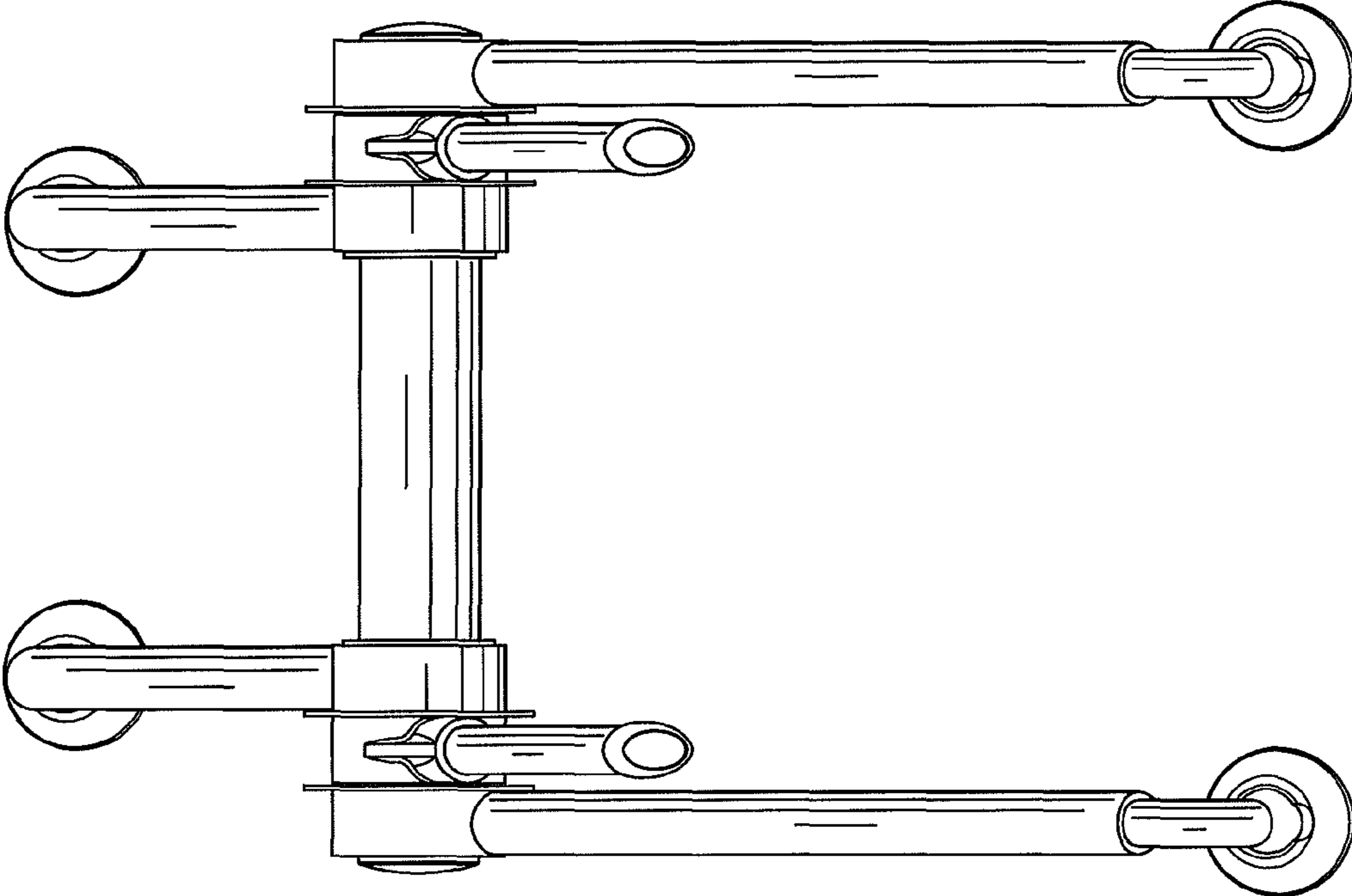


FIG. 3

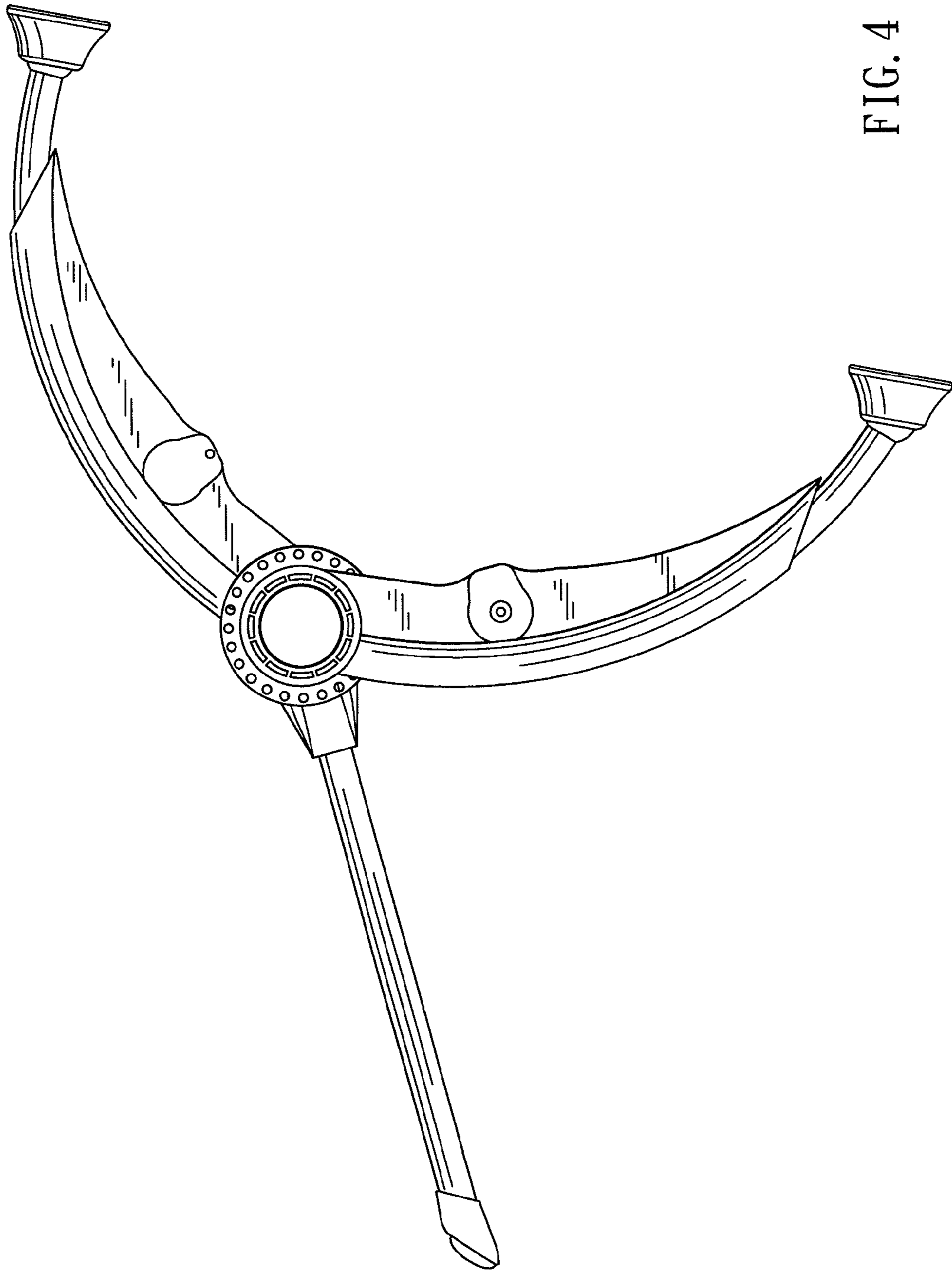


FIG. 4

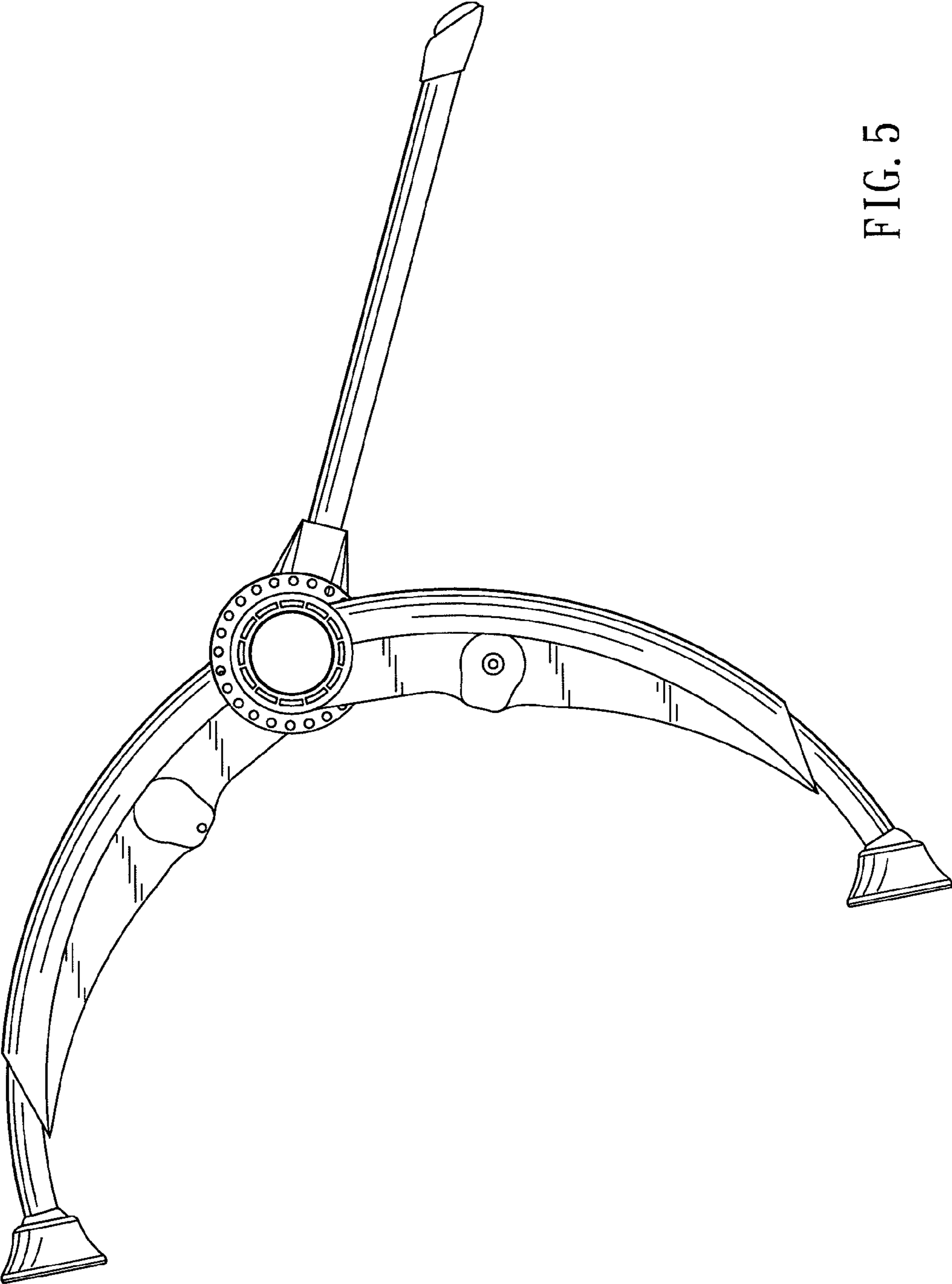


FIG. 5

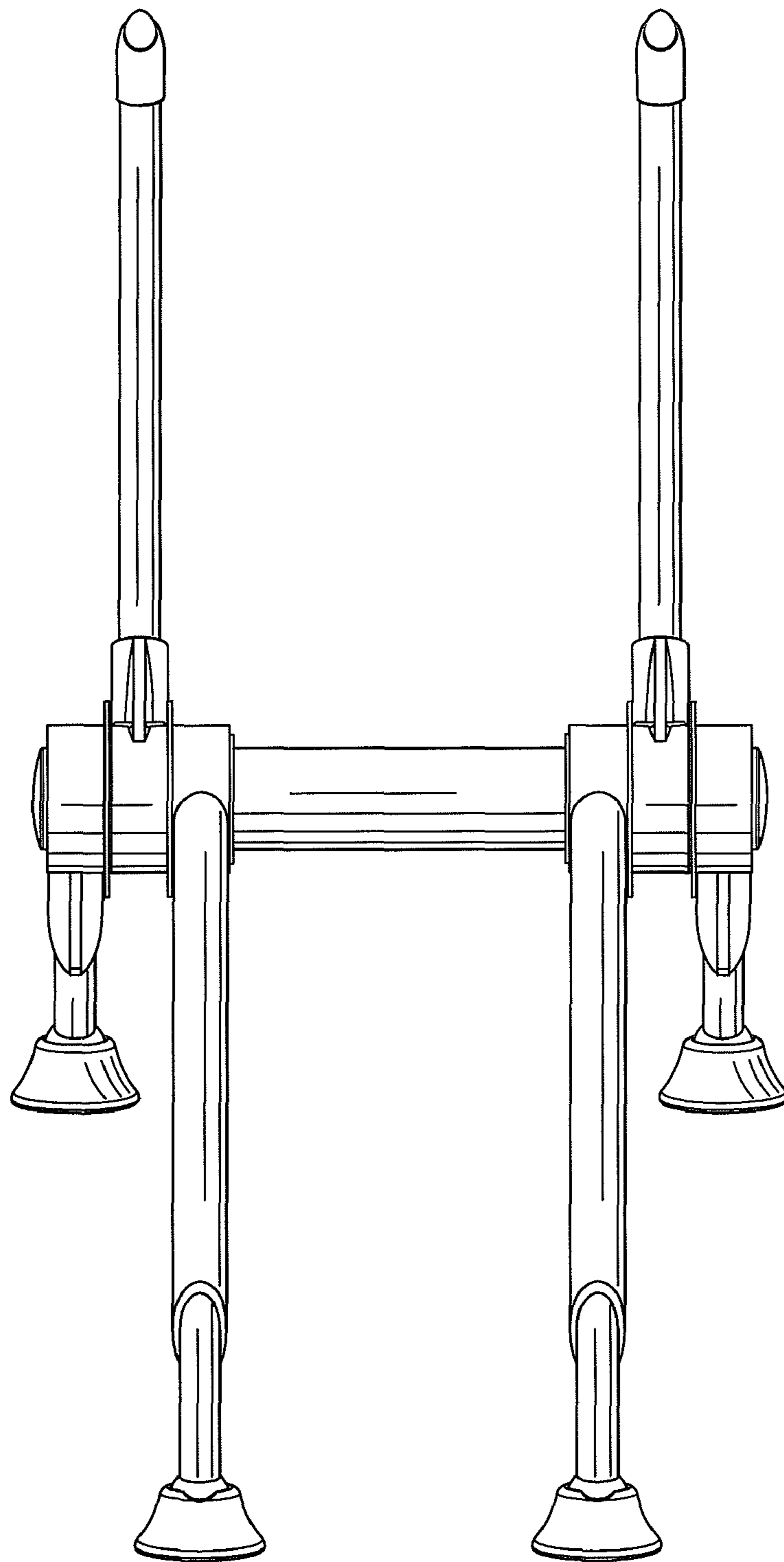


FIG. 6

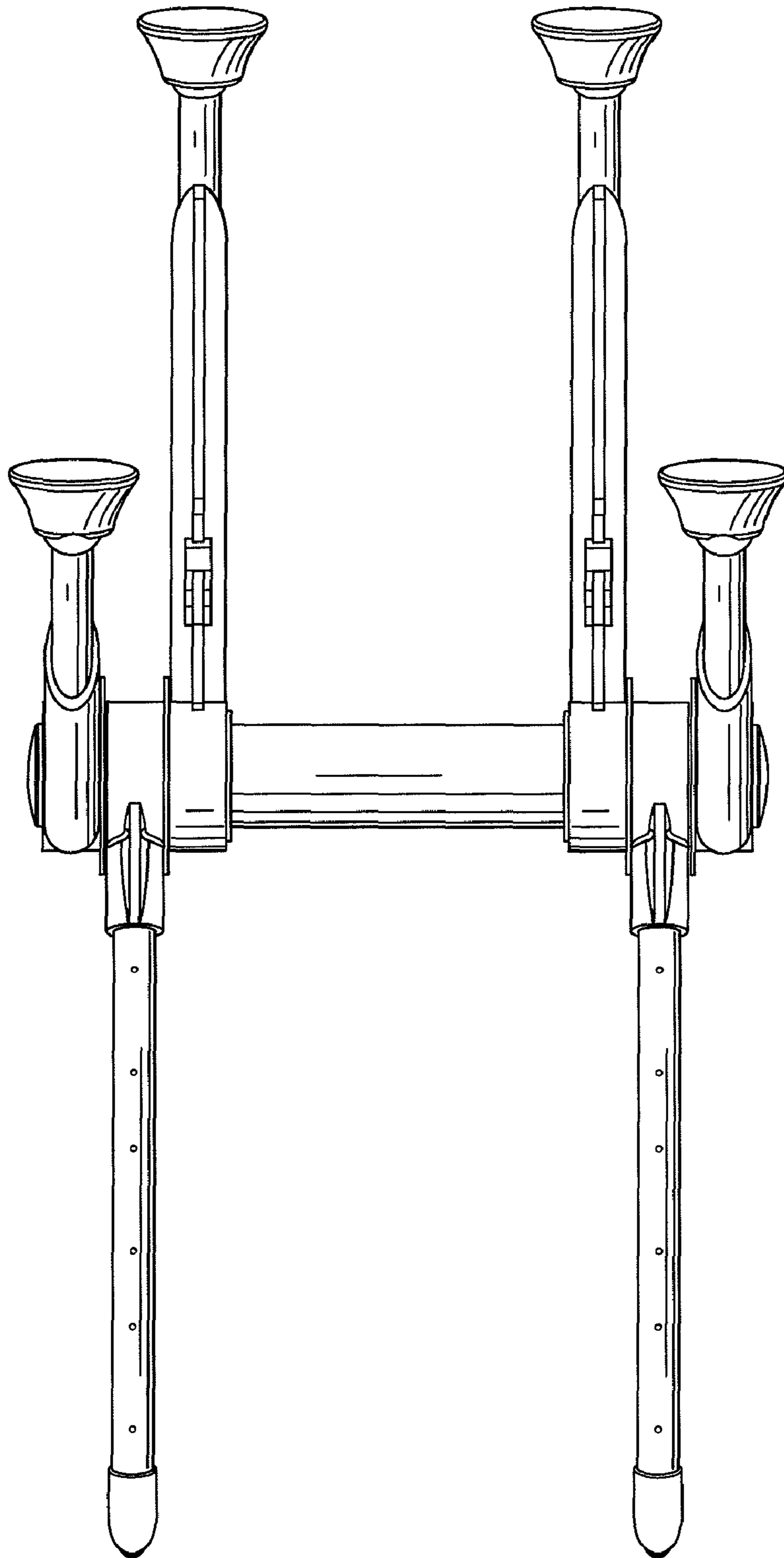


FIG. 7