



US00D658566S

(12) **United States Design Patent**  
**Gros**

(10) **Patent No.:** **US D658,566 S**

(45) **Date of Patent:** **\*\* May 1, 2012**

(54) **BOAT SKI RACK**

(76) **Inventor:** **Charles Gros**, White City, OR (US)

(\*\*) **Term:** **14 Years**

(21) **Appl. No.:** **29/397,505**

(22) **Filed:** **Jul. 18, 2011**

(51) **LOC (9) Cl.** ..... **12-16**

(52) **U.S. Cl.** ..... **D12/406**

(58) **Field of Classification Search** ..... D12/401-402,  
D12/412-414, 414.1, 406, 317; 280/814;  
296/140; 224/309, 327, 328, 321, 402, 488,  
224/493, 315; 114/253, 361

See application file for complete search history.

(56) **References Cited**

**U.S. PATENT DOCUMENTS**

2,829,660	A *	4/1958	Wester et al.	.....	135/137
5,666,325	A *	9/1997	Belser et al.	.....	367/95
D409,972	S *	5/1999	Todd	.....	D12/318
5,901,890	A *	5/1999	Stokes	.....	224/406
6,327,993	B1 *	12/2001	Richens, Jr.	.....	114/361
6,349,666	B1 *	2/2002	Hastings	.....	114/361
6,554,170	B1 *	4/2003	Correll et al.	.....	224/406
D551,154	S *	9/2007	Metcalf	.....	D12/317
D555,545	S *	11/2007	Peek	.....	D12/114

7,370,599	B1 *	5/2008	Berman et al.	.....	114/364
7,392,758	B2 *	7/2008	Metcalf	.....	114/361
8,025,194	B2 *	9/2011	Jesewitz	.....	224/406
D648,665	S *	11/2011	Odell	.....	D12/317
D648,666	S *	11/2011	Odell	.....	D12/317

\* cited by examiner

*Primary Examiner* — Caron D Veynar

*Assistant Examiner* — Katrina A Betton

(74) *Attorney, Agent, or Firm* — Robert SayFie

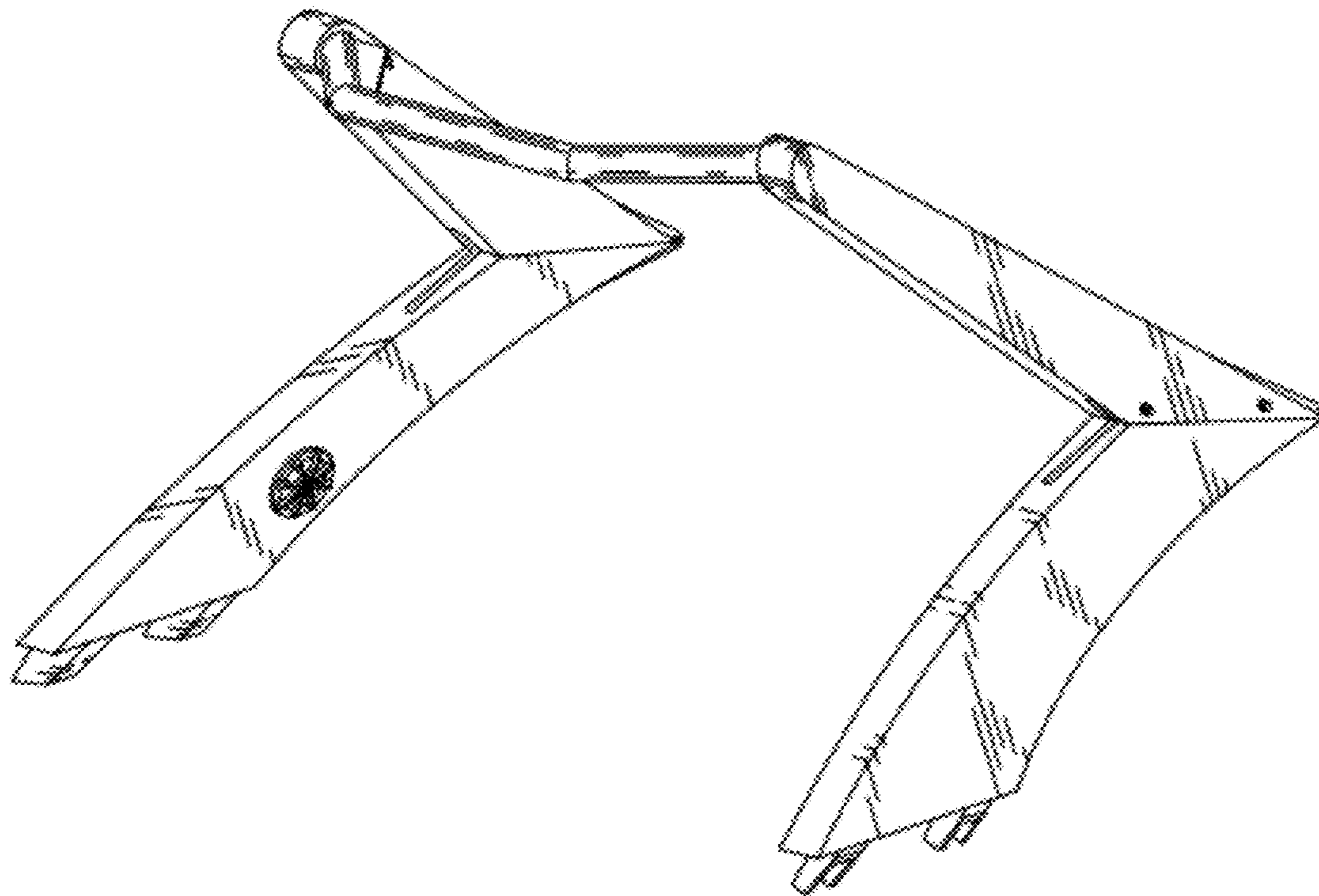
(57) **CLAIM**

The ornamental design for a boat ski rack, as shown and described.

**DESCRIPTION**

FIG. 1 is a rear perspective of a boat ski rack;  
FIG. 2 is a left view of the boat ski rack of FIG. 1;  
FIG. 3 is a right view of the boat ski rack of FIG. 1;  
FIG. 4 is a top view of the boat ski rack of FIG. 1;  
FIG. 5 is a bottom view of the boat ski rack of FIG. 1;  
FIG. 6 is a front view of the boat ski rack of FIG. 1;  
FIG. 7 is a rear view of the boat ski rack of FIG. 1; and,  
FIG. 8 is a front perspective of the boat ski rack of FIG. 1.  
In the drawings, the broken lines in FIG. 8 depict a boat that forms no part of the claim.

**1 Claim, 5 Drawing Sheets**



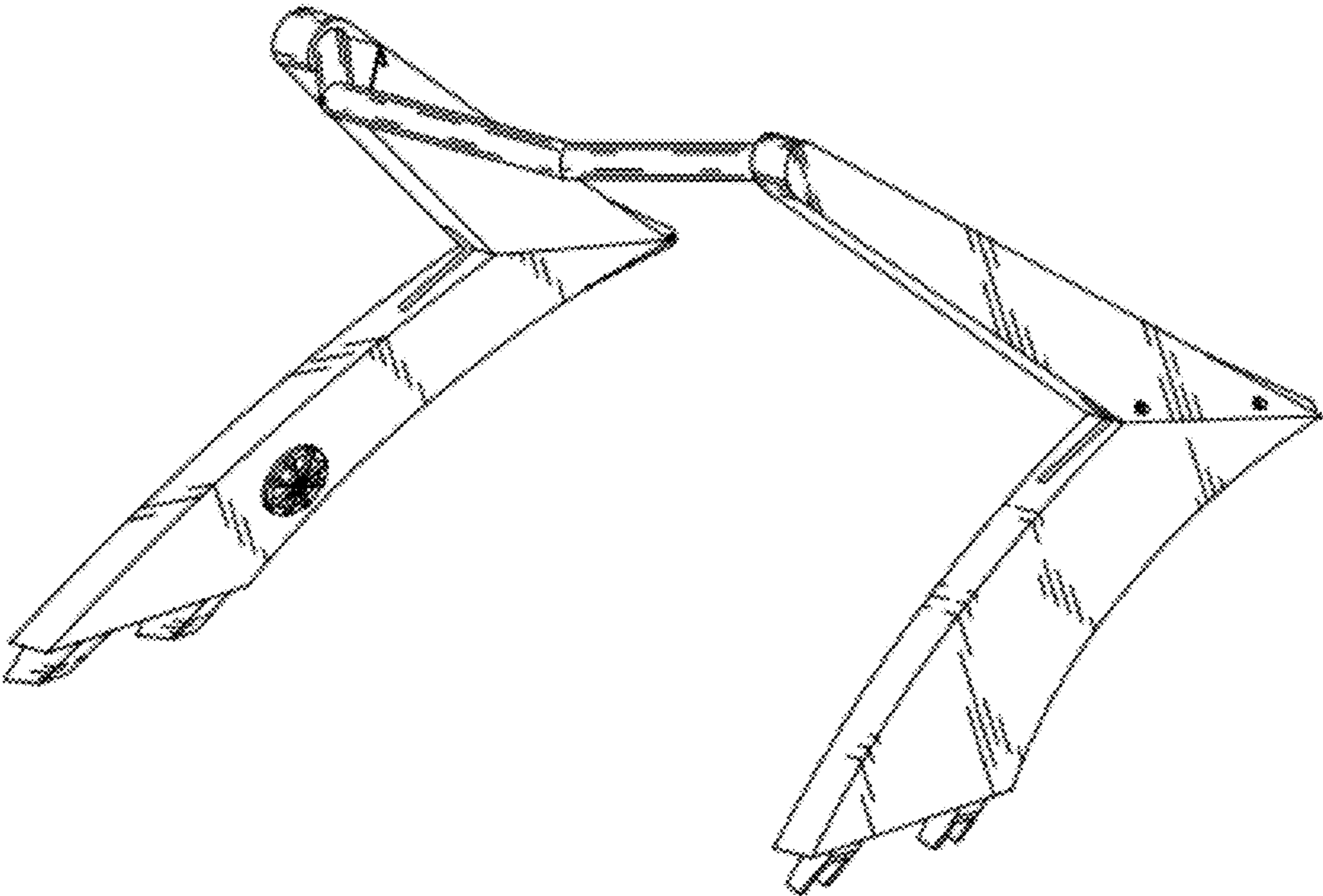


FIG. 1

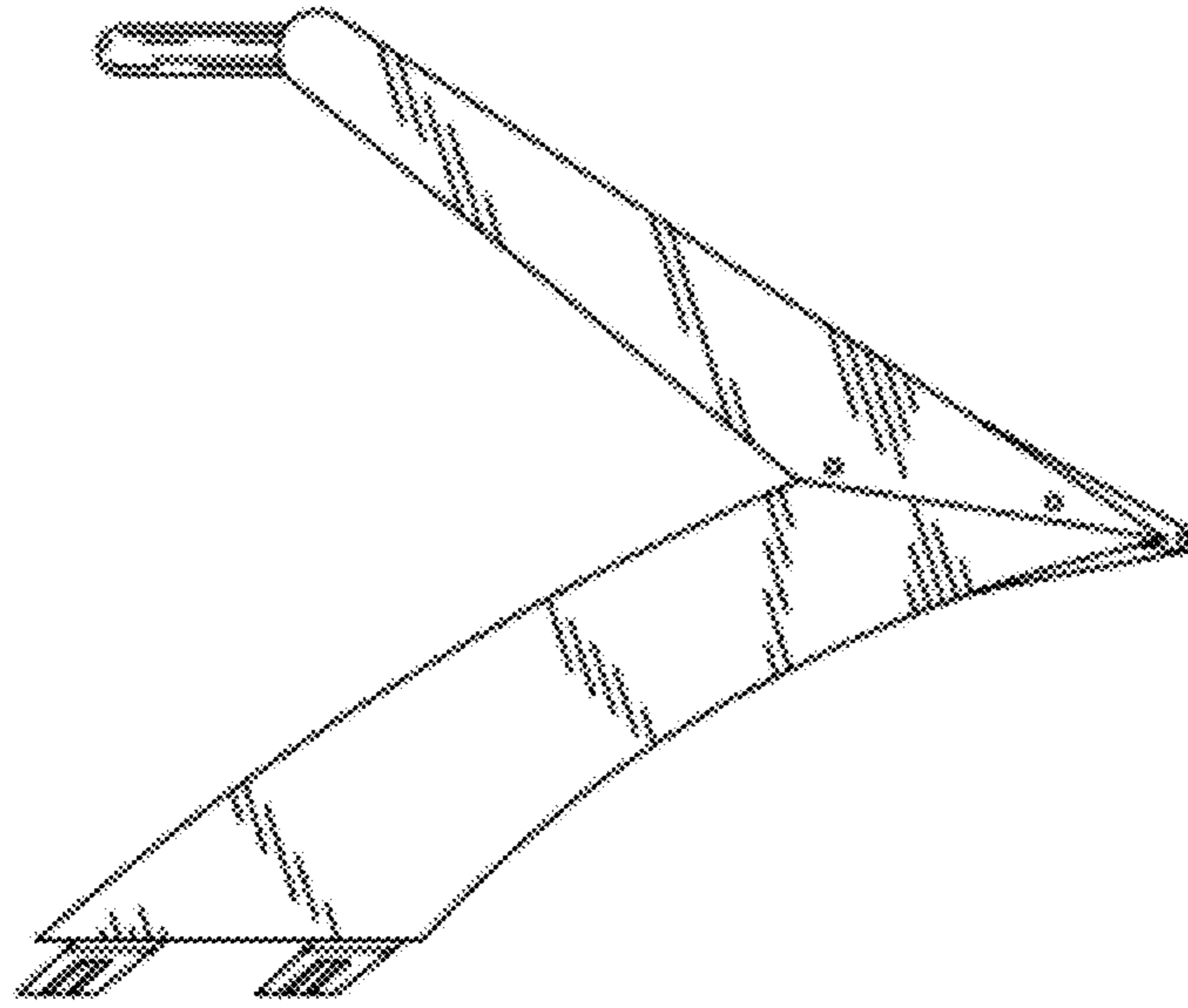


FIG. 2

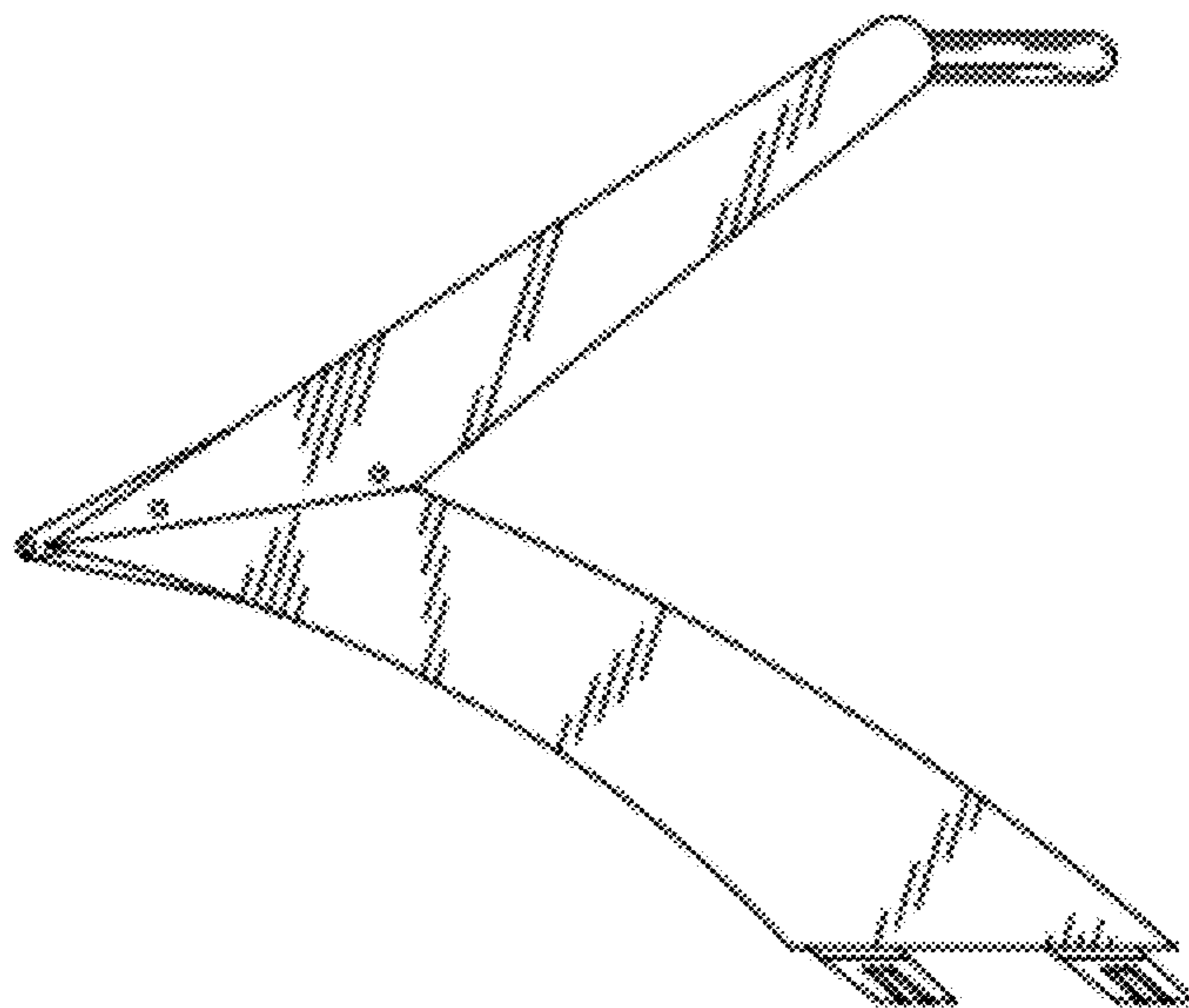


FIG. 3

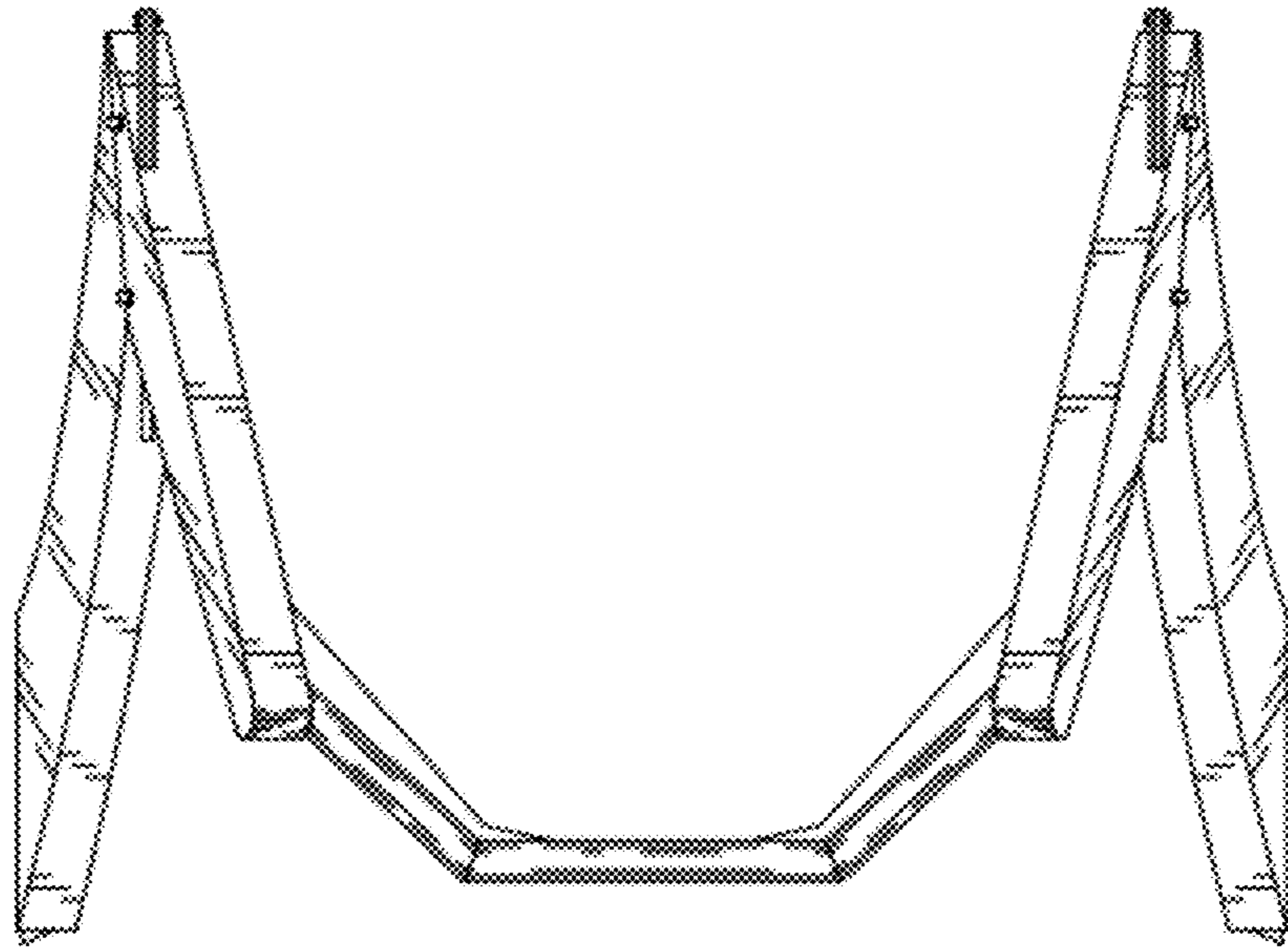


FIG. 4

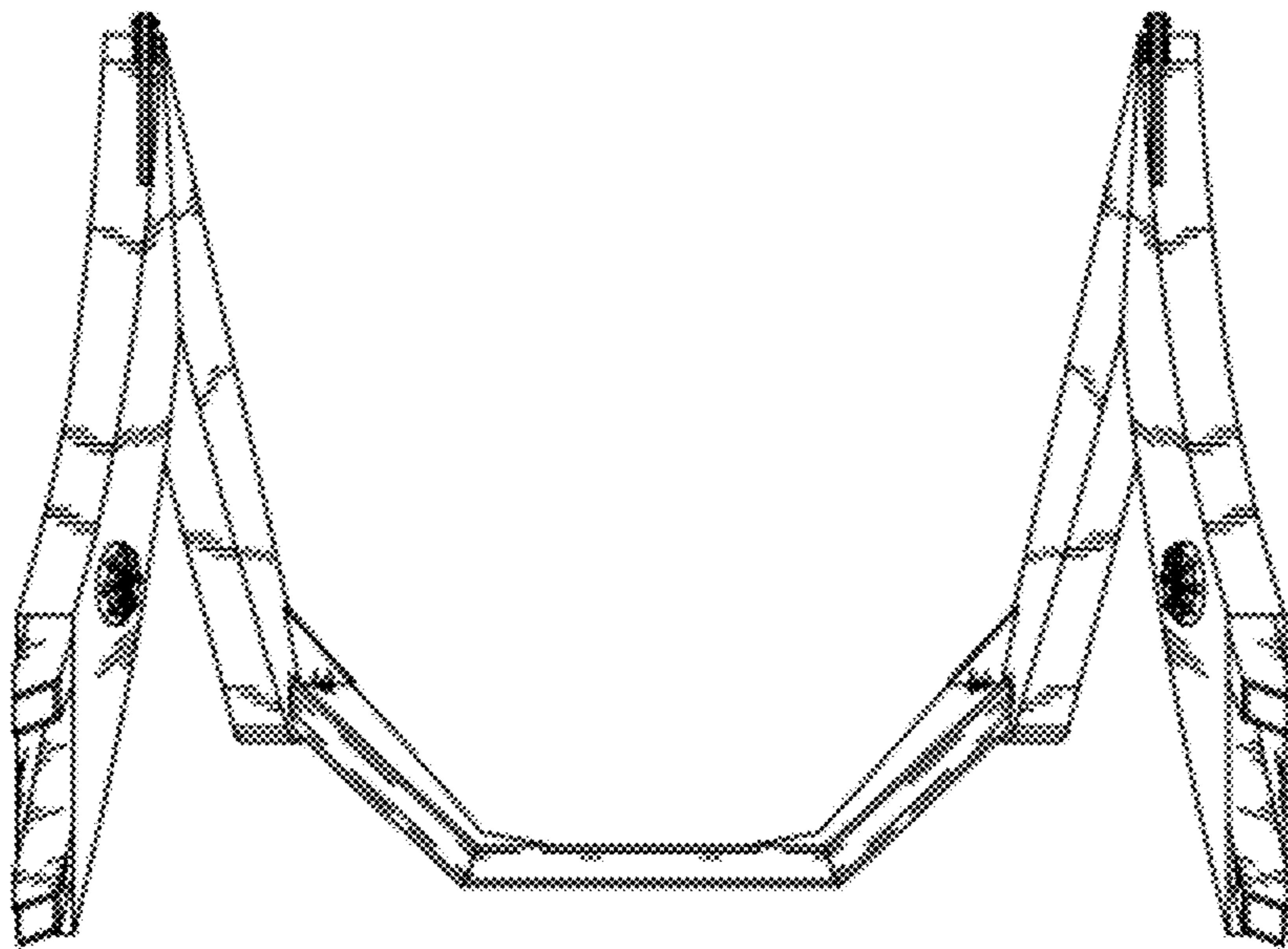


FIG. 5

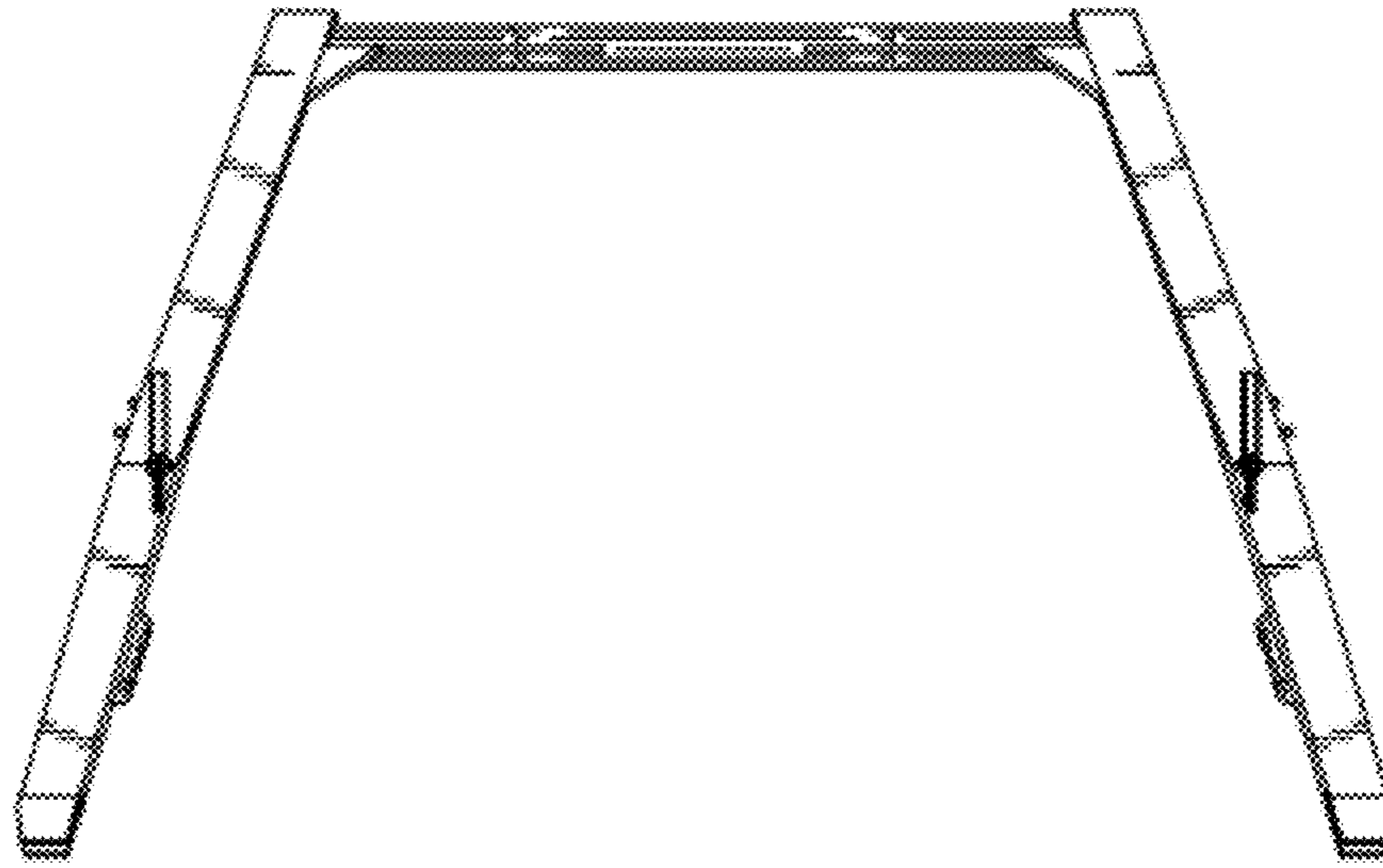


FIG. 6

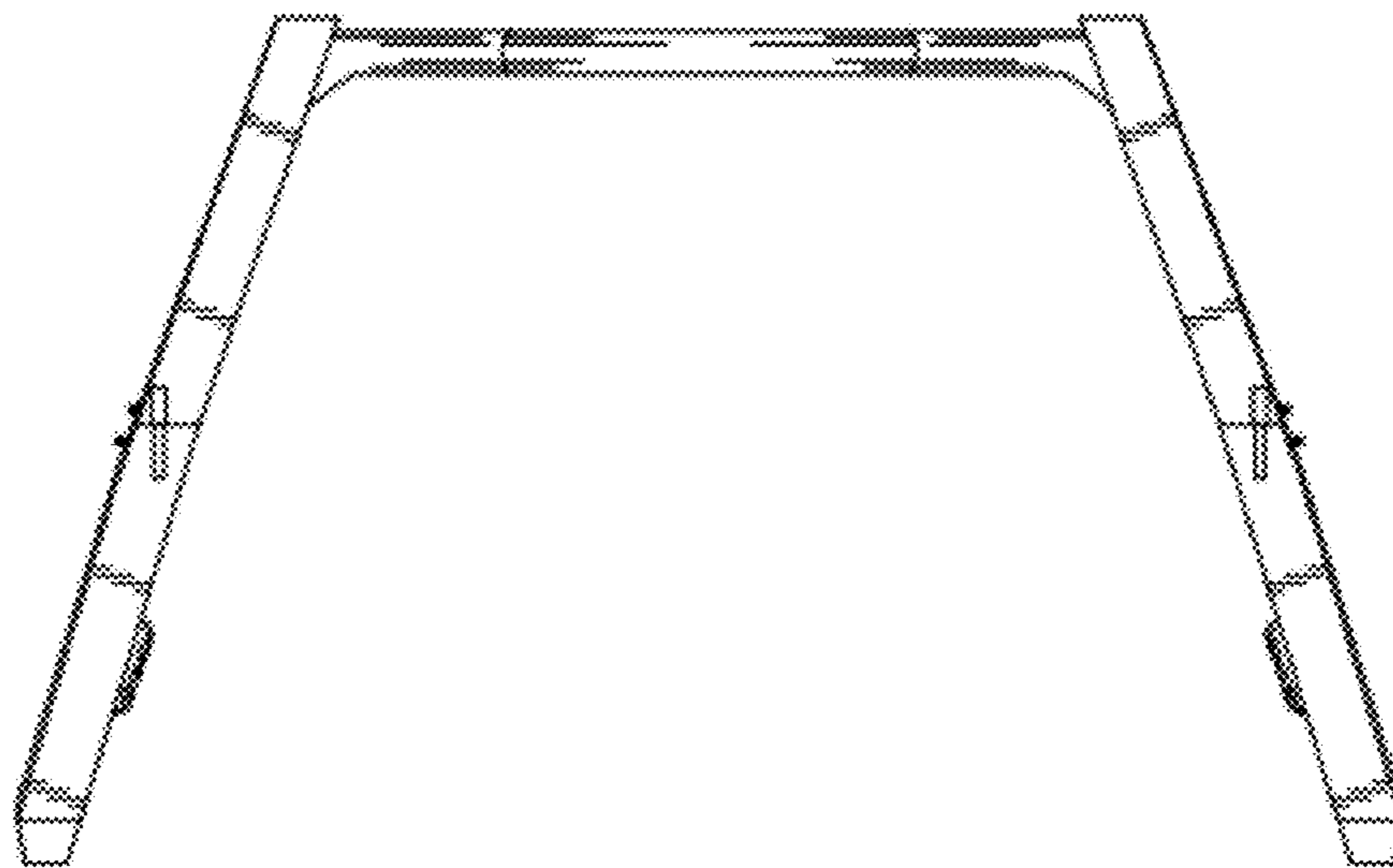


FIG. 7

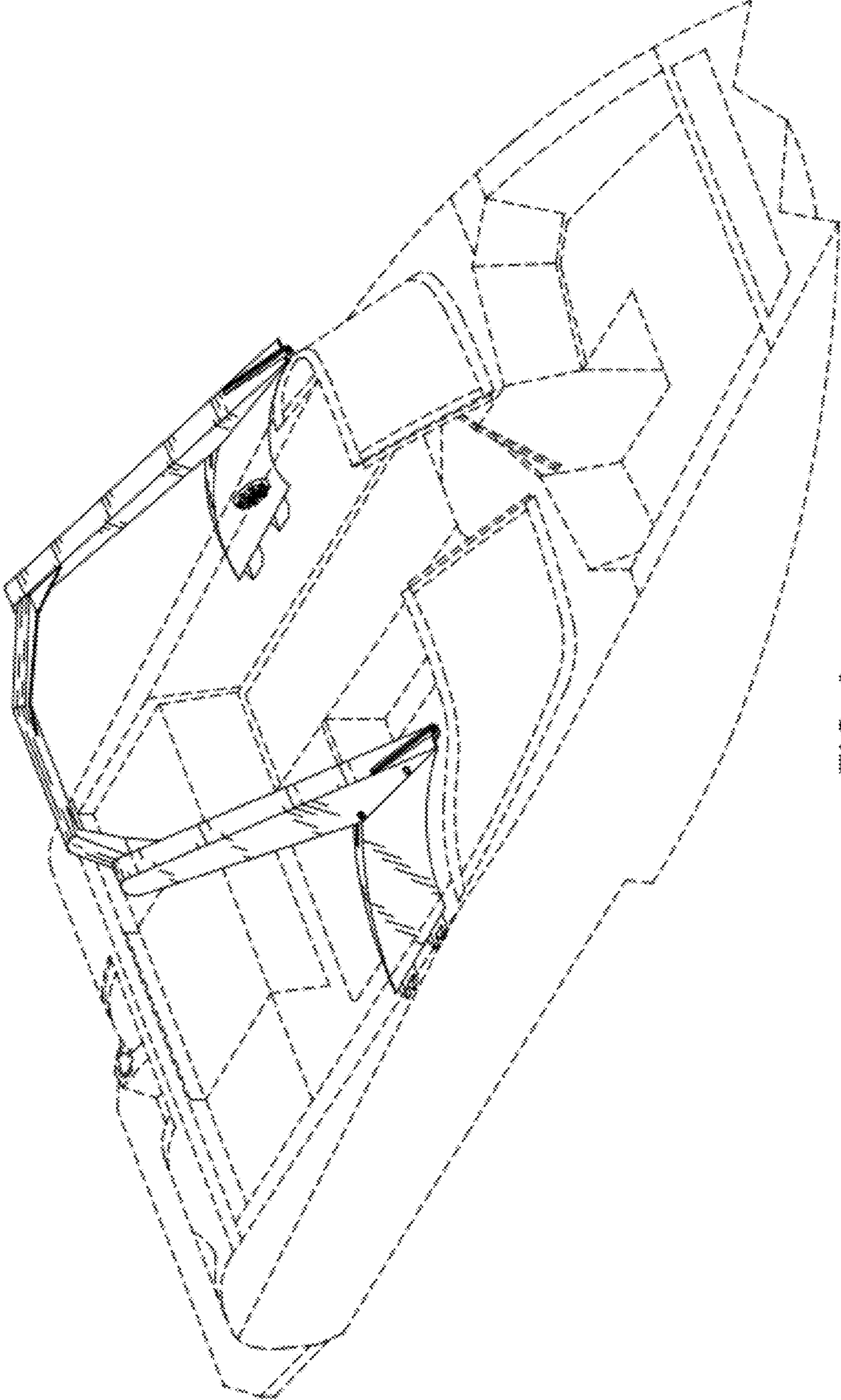


FIG. 8