



US00D658561S

(12) **United States Design Patent**  
**Foose**

(10) **Patent No.:** **US D658,561 S**

(45) **Date of Patent:** **\*\* May 1, 2012**

(54) **VEHICLE-WHEEL FRONT FACE**

(75) **Inventor:** **Douglas S. Foose**, Huntington Beach, CA (US)

(73) **Assignee:** **Hemisfear, LP**, Huntington Beach, CA (US)

(\*\*) **Term:** **14 Years**

(21) **Appl. No.:** **29/411,860**

(22) **Filed:** **Jan. 26, 2012**

(51) **LOC (9) Cl.** ..... **12-16**

(52) **U.S. Cl.** ..... **D12/209**

(58) **Field of Classification Search** ..... D12/204-213;  
301/37.101, 64.101, 65, 64.201  
See application file for complete search history.

(56) **References Cited**

**U.S. PATENT DOCUMENTS**

D435,006 S	*	12/2000	Brown	.....	D12/209
D442,535 S	*	5/2001	Lotson	.....	D12/209
D480,344 S	*	10/2003	Muzzarelli	.....	D12/209
D515,997 S	*	2/2006	Phillips	.....	D12/209

D516,000 S	*	2/2006	Ditty	.....	D12/209
D519,905 S	*	5/2006	Muzzarelli	.....	D12/209
D530,254 S	*	10/2006	Kim	.....	D12/209
D574,762 S	*	8/2008	Kim	.....	D12/209
D638,764 S	*	5/2011	Groom	.....	D12/209

\* cited by examiner

*Primary Examiner* — Stacia Cadmus

(74) *Attorney, Agent, or Firm* — Christie, Parker & Hale, LLP

(57) **CLAIM**

The ornamental design for vehicle-wheel front face, as shown and described.

**DESCRIPTION**

FIG. 1 is a perspective view of a vehicle-wheel front face according to my new design; FIG. 2 is a front elevational view thereof; and, FIG. 3 is a side elevational view thereof. The broken line showing of back portion of the wheel and the bolt holes is included for the purpose of illustrating environment and forms no part of the claimed design.

**1 Claim, 3 Drawing Sheets**

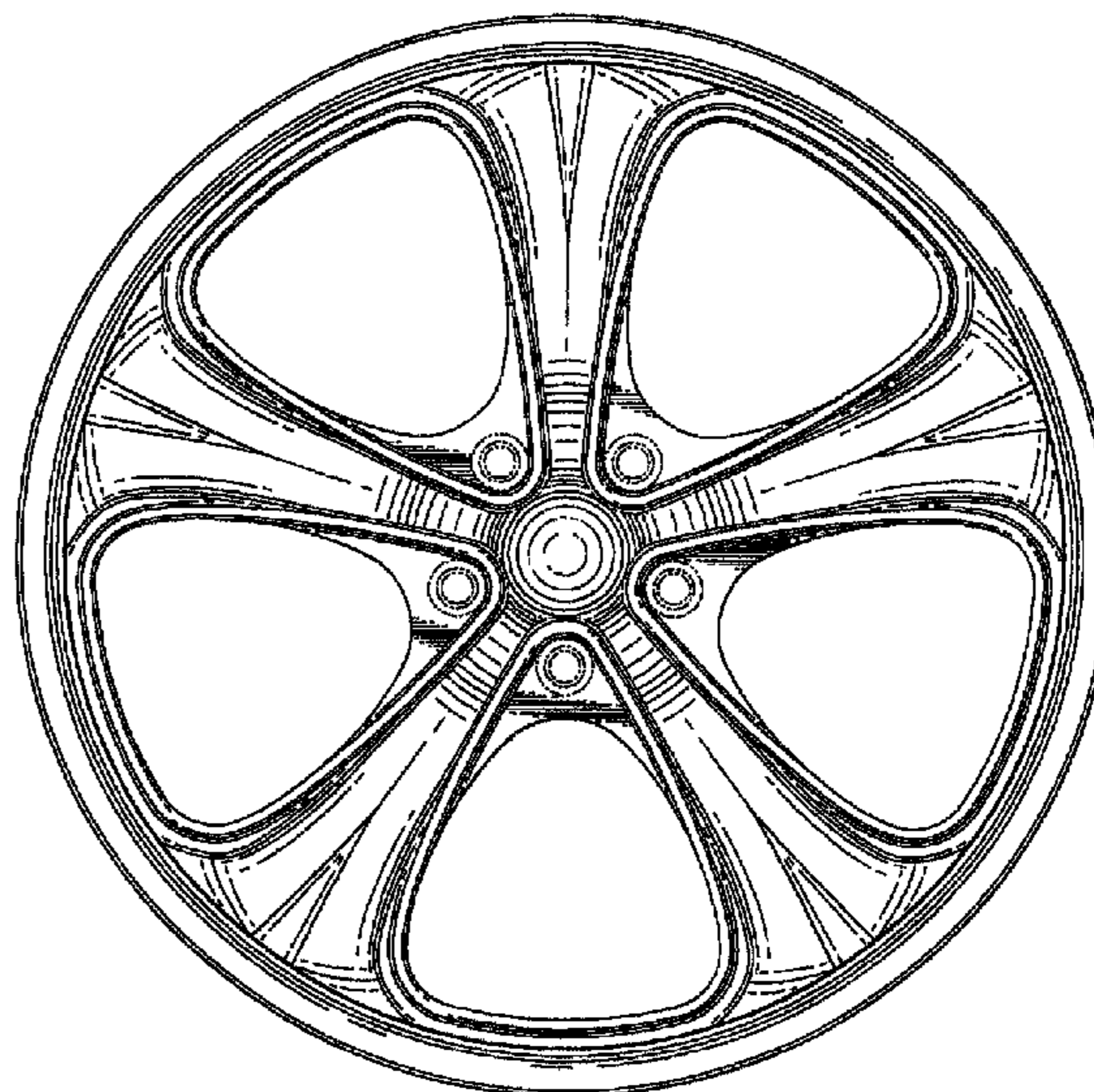
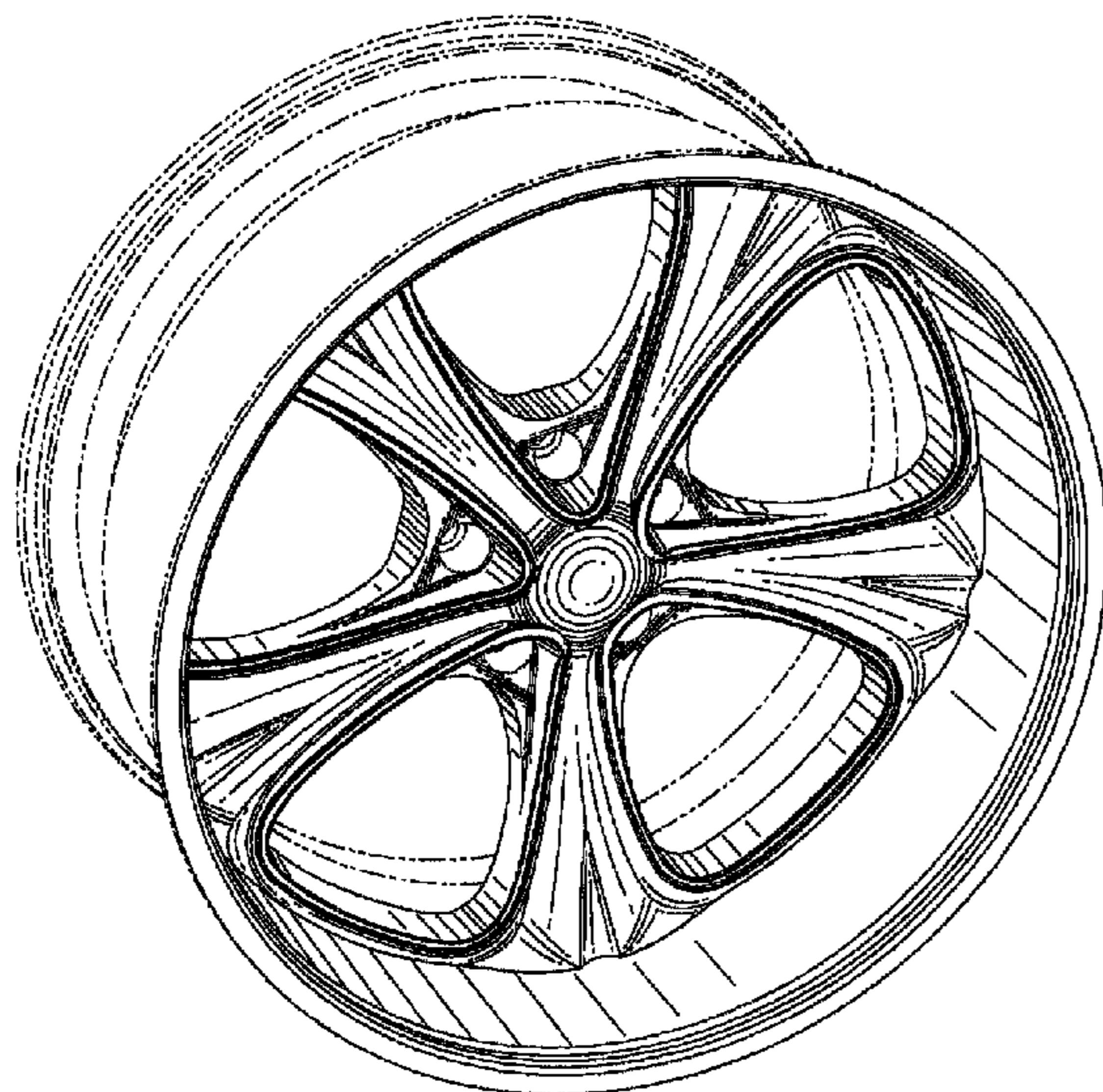


FIG. 1

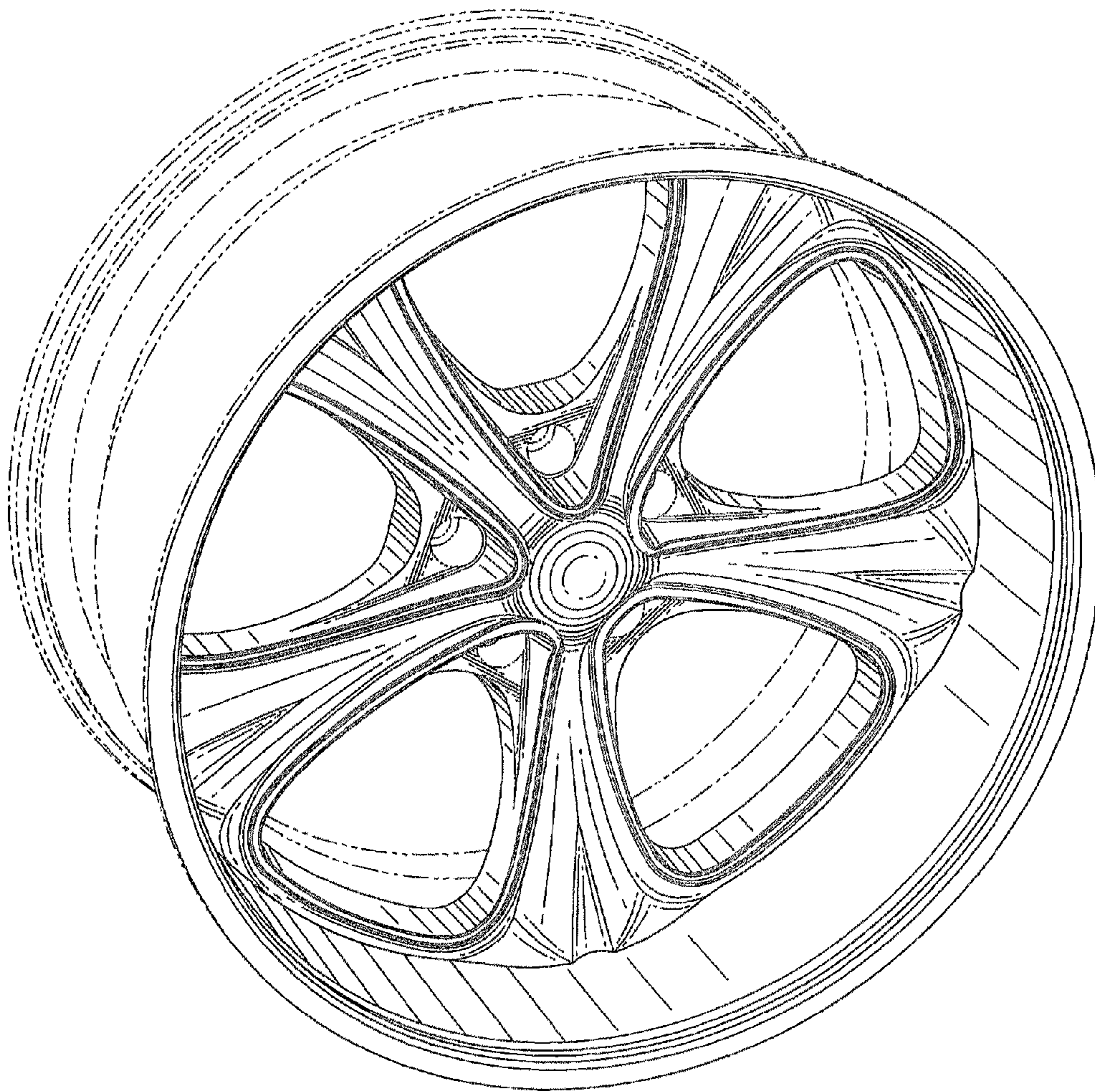
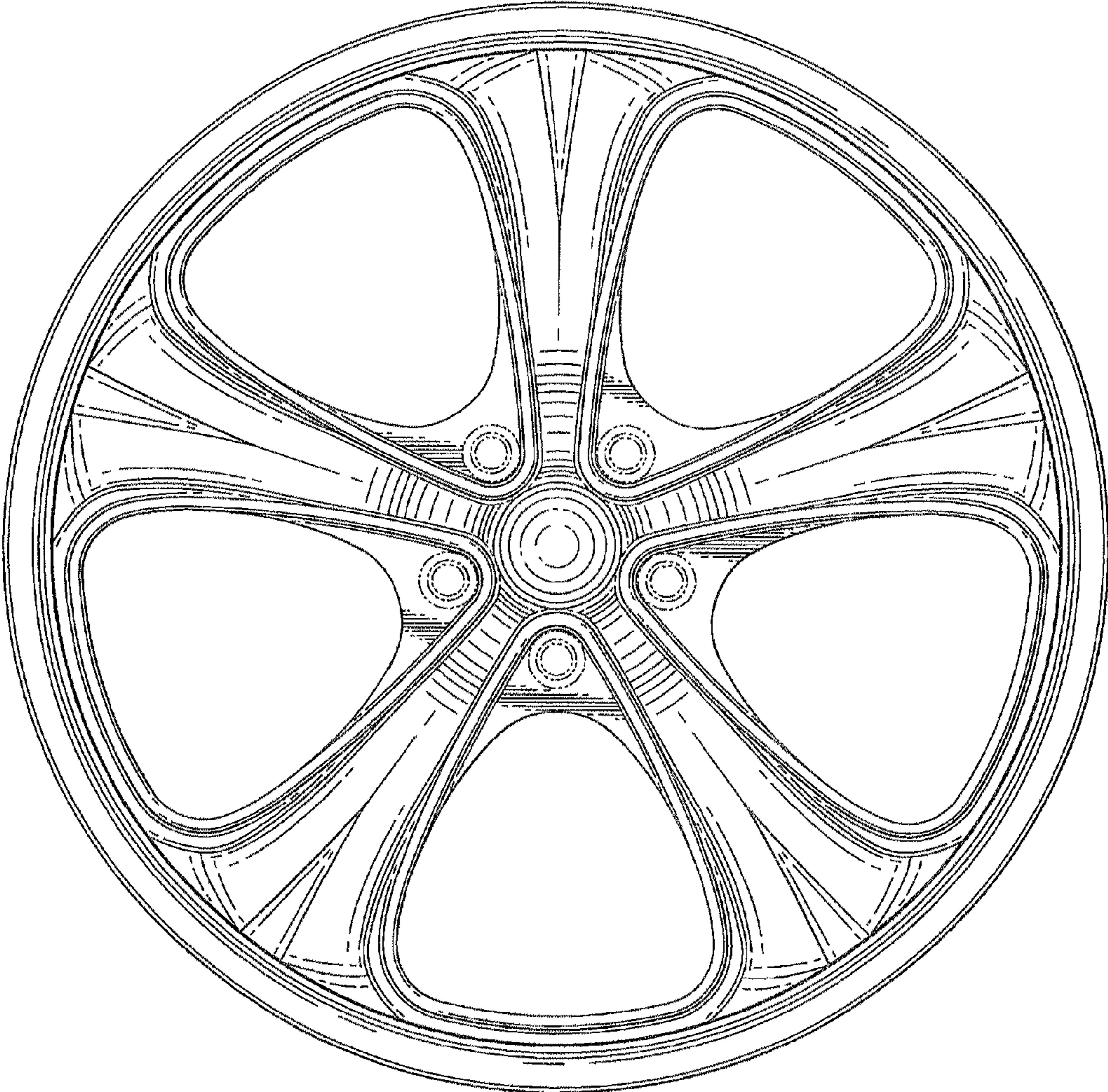


FIG. 2



*FIG. 3*

