



US00D658560S

(12) **United States Design Patent**
Thurner

(10) **Patent No.:** **US D658,560 S**
(45) **Date of Patent:** **** May 1, 2012**

(54) **WHEEL OR WHEEL COVER**
(75) Inventor: **Andreas Thurner**, Scheyern (DE)
(73) Assignee: **Bayerische Motoren Werke Aktiengesellschaft**, Munich (DE)
(**) Term: **14 Years**
(21) Appl. No.: **29/386,147**
(22) Filed: **Feb. 25, 2011**

(30) **Foreign Application Priority Data**
Aug. 26, 2010 (DE) 402010004624
(51) **LOC (9) Cl.** **12-16**
(52) **U.S. Cl.** **D12/209**
(58) **Field of Classification Search** D12/204-213;
301/37.101, 64.101, 65, 64.201
See application file for complete search history.

(56) **References Cited**
U.S. PATENT DOCUMENTS
D415,094 S * 10/1999 Neeper D12/211
D421,953 S * 3/2000 Sims et al. D12/211
D524,218 S * 7/2006 Madden D12/211
D527,330 S * 8/2006 Madden D12/211
D527,333 S * 8/2006 Blasi D12/211
D535,933 S 1/2007 Markefka
D538,730 S 3/2007 Thurner
D585,010 S * 1/2009 Pollmann D12/211
D586,285 S * 2/2009 Fridie D12/211
D589,425 S 3/2009 Theiss
D593,922 S * 6/2009 Blasi D12/211

D596,552 S * 7/2009 Beermann D12/211
D613,230 S * 4/2010 Antoniadis et al. D12/211
D617,715 S * 6/2010 Gallert D12/211
D617,717 S * 6/2010 Nordmann D12/211
D618,156 S * 6/2010 Zhao D12/211
D619,952 S * 7/2010 Juergens et al. D12/211
D632,240 S * 2/2011 Szews D12/211
D636,715 S 4/2011 De Bono
D649,502 S * 11/2011 Platto et al. D12/209

FOREIGN PATENT DOCUMENTS

DE M8908658.9 8/1990
DE M9307033.0 2/1994
DE M9309920.7 5/1994
EM 000511639-0003 6/2006
EM 000573753-0001 9/2006
EM 000825609-0002 11/2009
EM 001744640-0007 8/2010

* cited by examiner

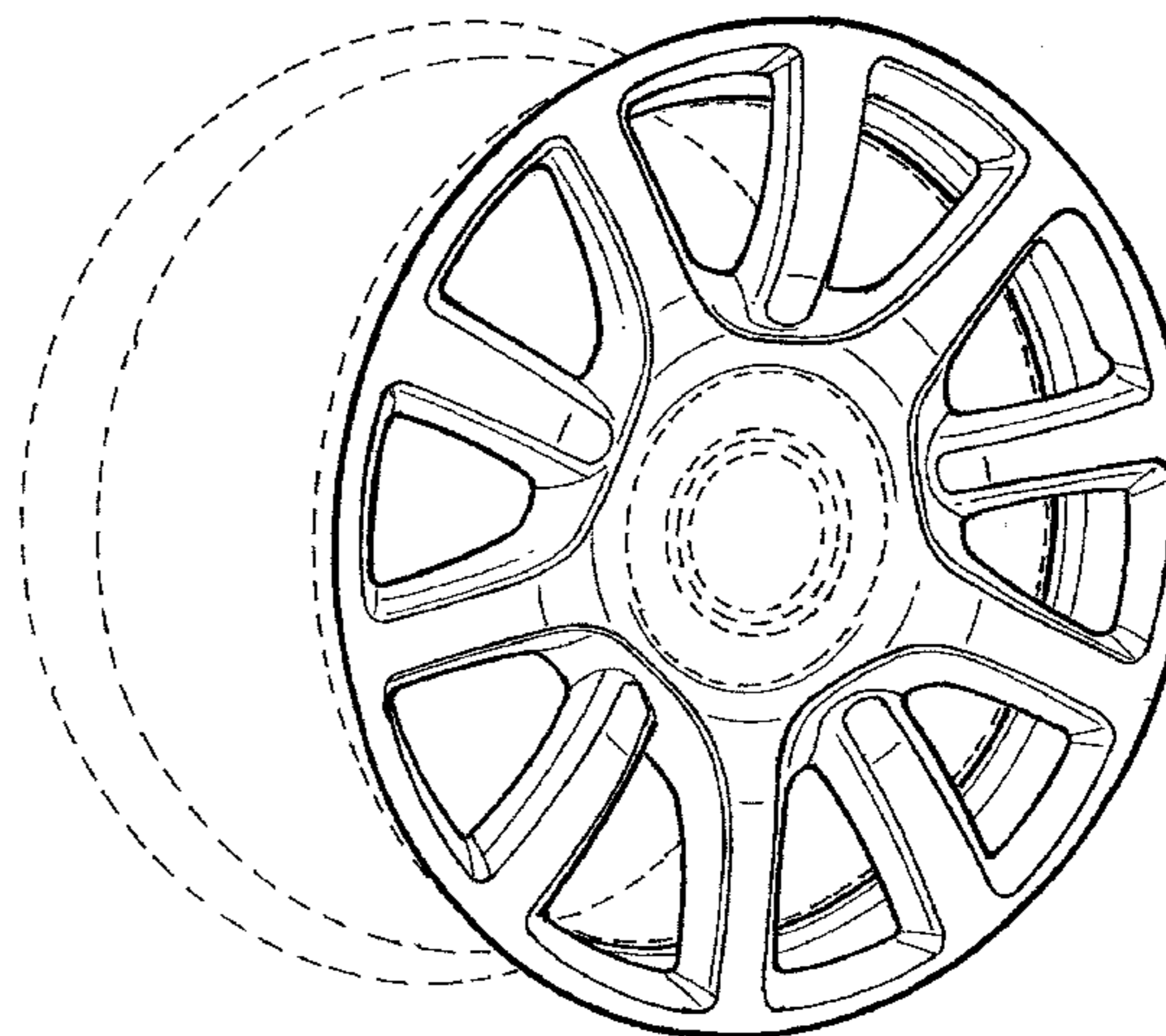
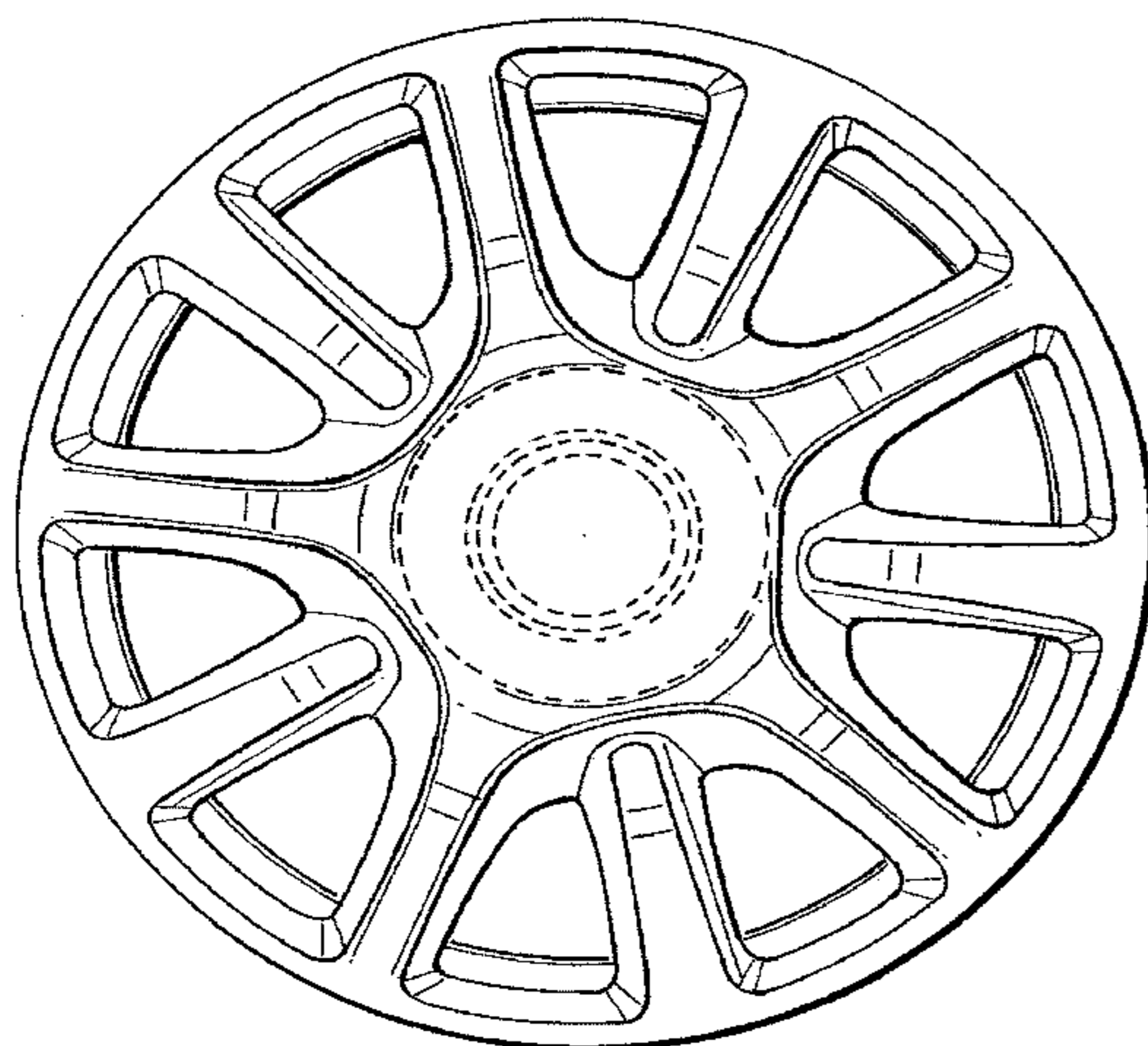
Primary Examiner — Stacia Cadmus
(74) *Attorney, Agent, or Firm* — Crowell & Moring LLP

(57) **CLAIM**
The ornamental design for a wheel or wheel cover, as shown and described.

DESCRIPTION

FIG. 1 is a front view of a wheel or wheel cover according to my design; and,
FIG. 2 is a perspective view thereof.
The broken line showing of the rear of the wheel and the center cap in the central hub area is included for the purpose of illustrating environment and forms no part of the claimed design.

1 Claim, 1 Drawing Sheet



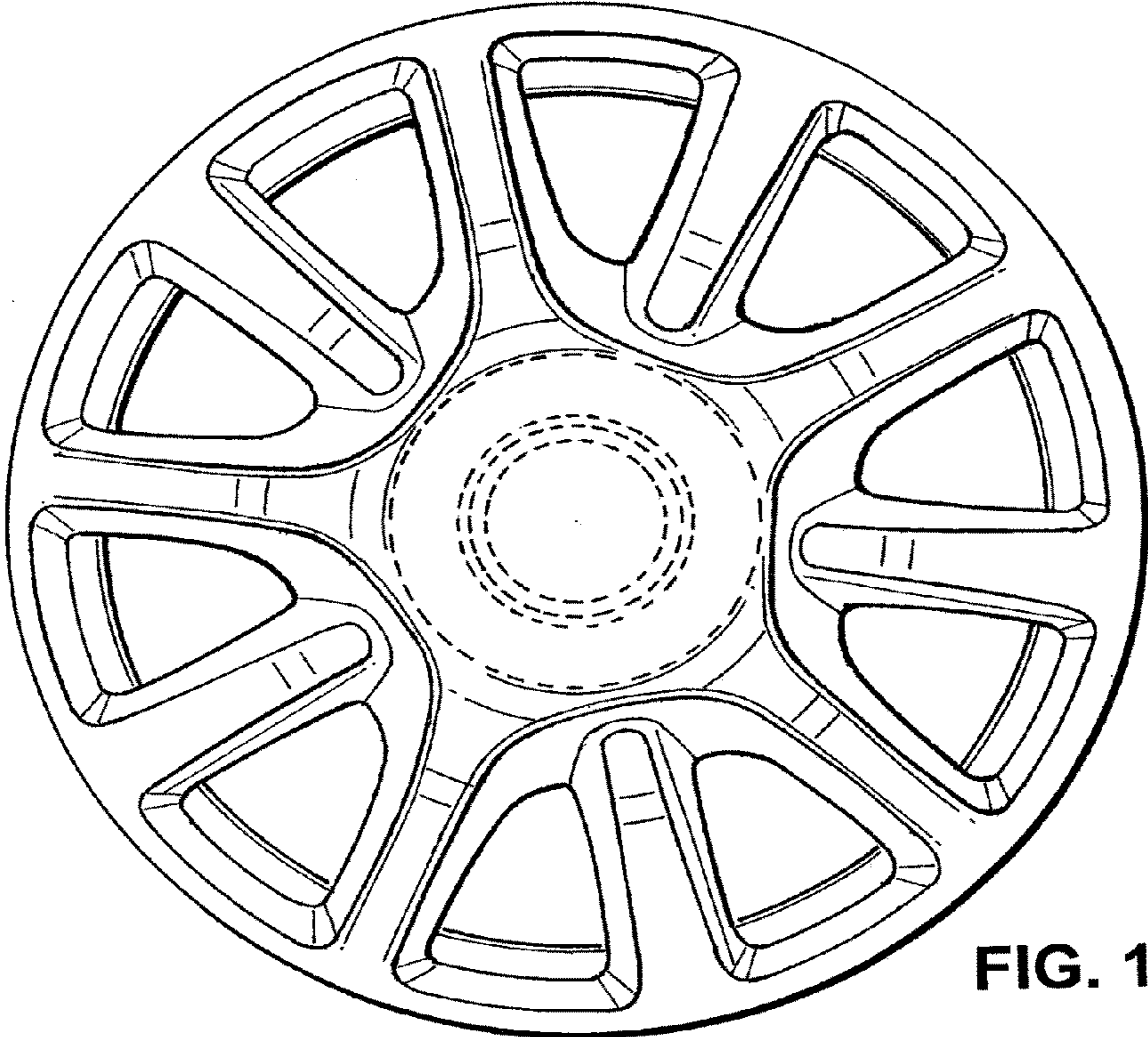


FIG. 1

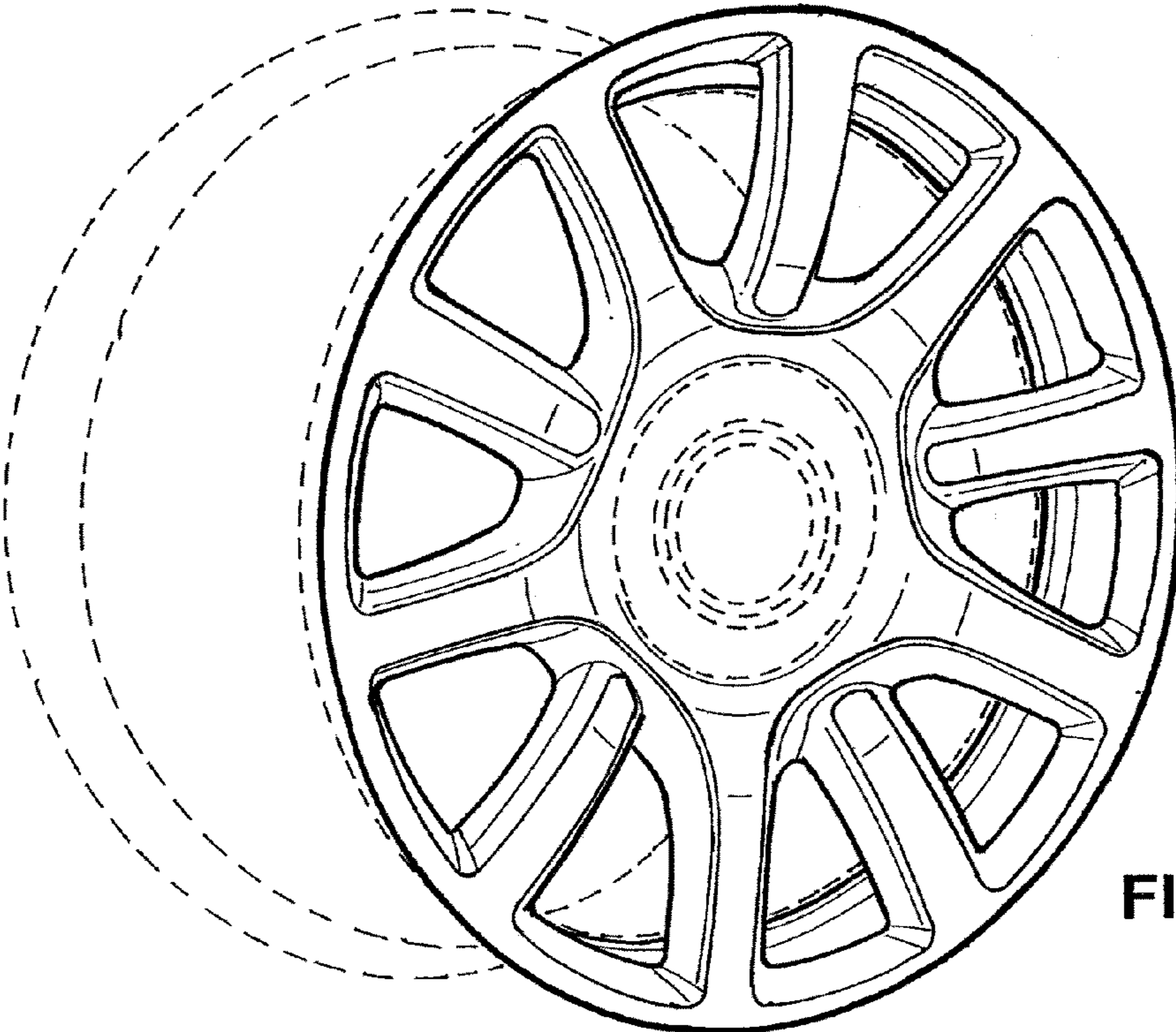


FIG. 2